

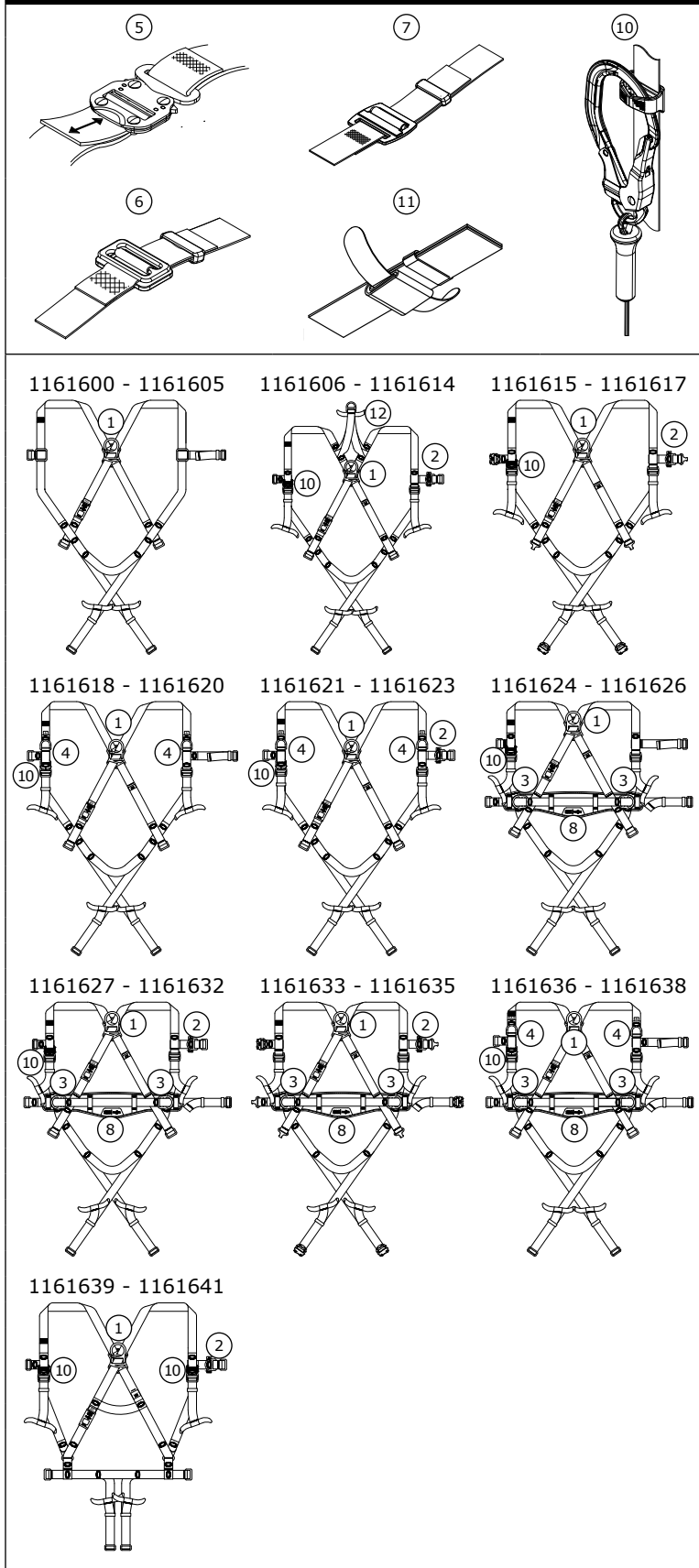


CE	EN 361:2002	EU type examination and Conformity to type No. 1019 VVUU, a.s. Pikartská 1337/7 716 07 Ostrava-Radvanice Czech Republic
	EN 358:2018	
	EN 1497:2007	
Regulation (EU) 2016/425		

3M™ PROTECTA® FULL BODY HARNESS
USER INSTRUCTIONS 5908399 Rev: E

Fall Protection

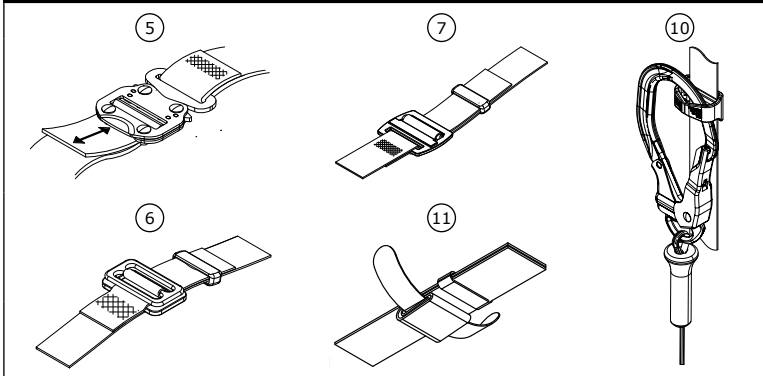
1



Models	Size			Body Belt Size in cm (B)	Attachment Elements			Buckles & Adjusters			Pads	
	S	M / L	XL		Dorsal D-Ring (1)	Sternal D-Ring (2)	Hip D-Ring (3)	Shoulder D-Ring (4)	Quick Connect Buckle (5)	Pass-Through Buckle (6)	Parachute Adjuster (7)	Belt & Hip Pads (8)
1161600	✓				✓					✓		
1161601		✓			✓					✓		
1161602			✓		✓					✓		
1161603	✓				✓					✓		
1161604		✓			✓					✓		
1161605			✓		✓					✓		
1161606	✓				✓	✓				✓	✓	
1161607		✓			✓	✓				✓	✓	
1161608			✓		✓	✓				✓	✓	
1161609	✓				✓	✓				✓	✓	
1161610		✓			✓	✓				✓	✓	
1161611			✓		✓	✓				✓	✓	
1161612	✓				✓	✓				✓	✓	
1161613		✓			✓	✓				✓	✓	
1161614			✓		✓	✓				✓	✓	
1161615	✓				✓	✓			✓		✓	
1161616		✓			✓	✓			✓		✓	
1161617			✓		✓	✓			✓		✓	
1161618	✓				✓			✓		✓	✓	
1161619		✓			✓			✓		✓	✓	
1161620			✓		✓			✓		✓	✓	
1161621	✓				✓	✓		✓		✓	✓	
1161622		✓			✓	✓		✓		✓	✓	
1161623			✓		✓	✓		✓		✓	✓	
1161624	✓			70 - 100	✓		✓			✓	✓	✓
1161625		✓		90 - 120	✓		✓			✓	✓	✓
1161626			✓	100 - 130	✓		✓			✓	✓	✓
1161627	✓			70 - 100	✓	✓	✓			✓	✓	✓
1161628		✓		90 - 120	✓	✓	✓			✓	✓	✓
1161629			✓	100 - 130	✓	✓	✓			✓	✓	✓
1161630	✓			70 - 100	✓	✓	✓			✓	✓	✓
1161631		✓		90 - 120	✓	✓	✓			✓	✓	✓
1161632			✓	100 - 130	✓	✓	✓			✓	✓	✓
1161633	✓			70 - 100	✓	✓	✓		✓		✓	✓
1161634		✓		90 - 120	✓	✓	✓		✓		✓	✓
1161635			✓	100 - 130	✓	✓	✓		✓		✓	✓
1161636	✓			70 - 100	✓		✓	✓		✓	✓	✓
1161637		✓		90 - 120	✓		✓	✓		✓	✓	✓
1161638			✓	100 - 130	✓		✓	✓		✓	✓	✓
1161639	✓				✓	✓				✓	✓	
1161640		✓			✓	✓				✓	✓	
1161641			✓		✓	✓				✓	✓	

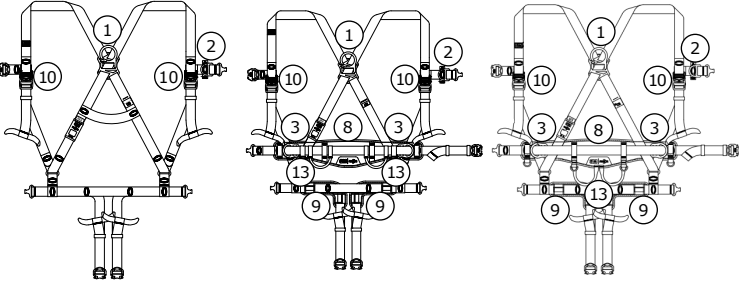
⑫ 1161612 - 1161614

Please see the next page(s) for additional models.



Models	S	M / L	XL	Body Belt Size in cm	1	2	3	4	5	6	7	8	9
	Size				Attachment Elements			Buckles & Adjusters			Pads		
1161642	✓				✓	✓			✓		✓		
1161643		✓			✓	✓			✓		✓		
1161644			✓		✓	✓			✓		✓		
1161645	✓			85 - 120	✓	✓	✓		✓		✓	✓	✓
1161646		✓		100 - 135	✓	✓	✓		✓		✓	✓	✓
1161647			✓	115 - 150	✓	✓	✓		✓		✓	✓	✓
1161758	✓			85 - 120	✓	✓	✓		✓		✓	✓	✓
1161759		✓		100 - 135	✓	✓	✓		✓		✓	✓	✓
1161760			✓	115 - 150	✓	✓	✓		✓		✓	✓	✓

1161642 - 1161644 1161645 - 1161647 1161758 - 1161760

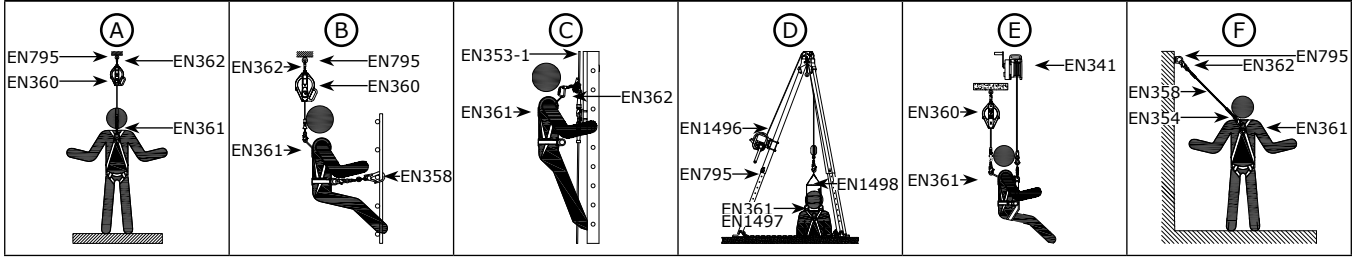


INDEX

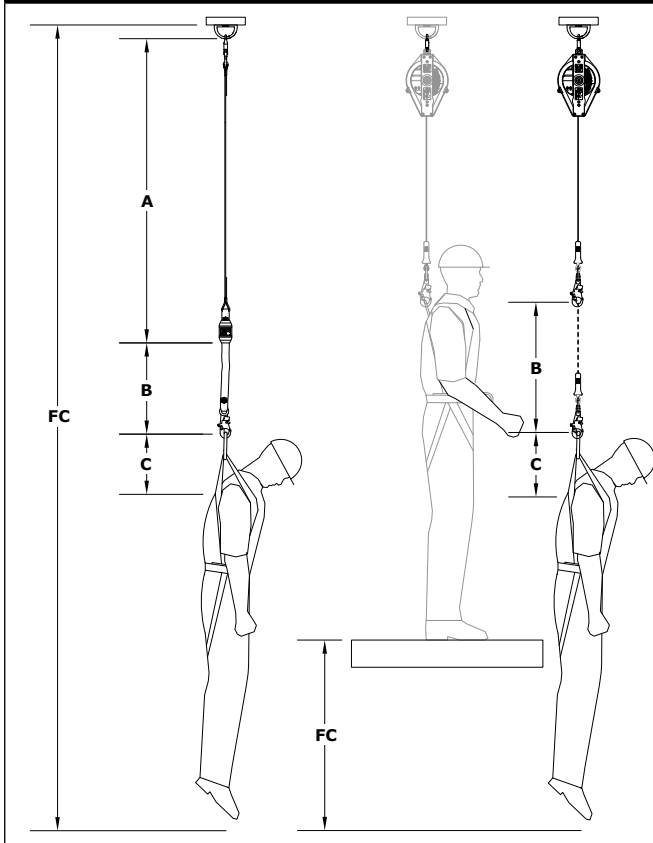
EN	8
BG	15
CS	22
DA	29
DE	36
EL	43
ES	50
ET	57
FI	64
FR	71
HE	78
HR	55
HU	92
IS	99
IT	106

KA	113
LT	120
LV	127
MT	134
NL	141
NO	148
PL	155
PT	162
RO	169
SK	176
SL	183
SR	190
SV	197
TR	204
UA	211

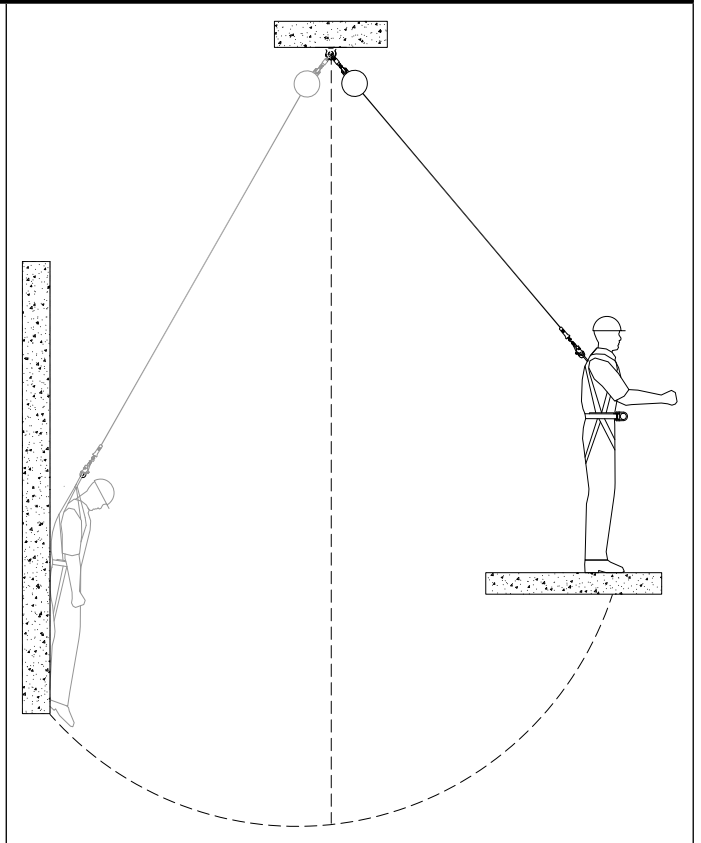
2



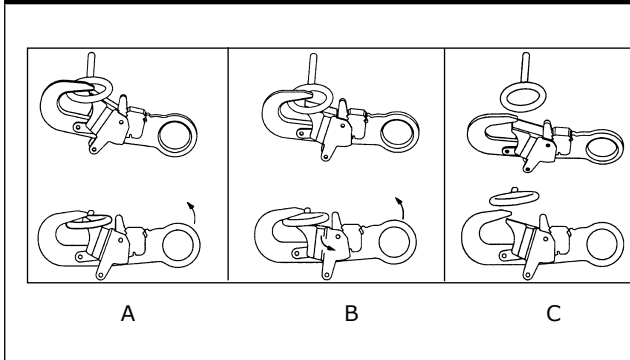
3



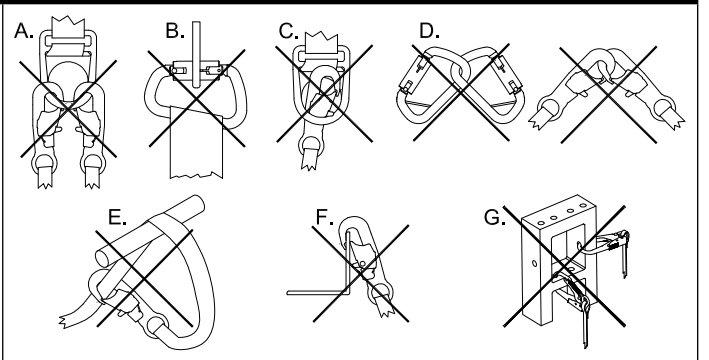
4



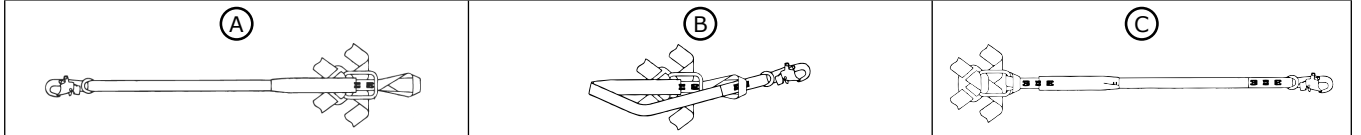
5



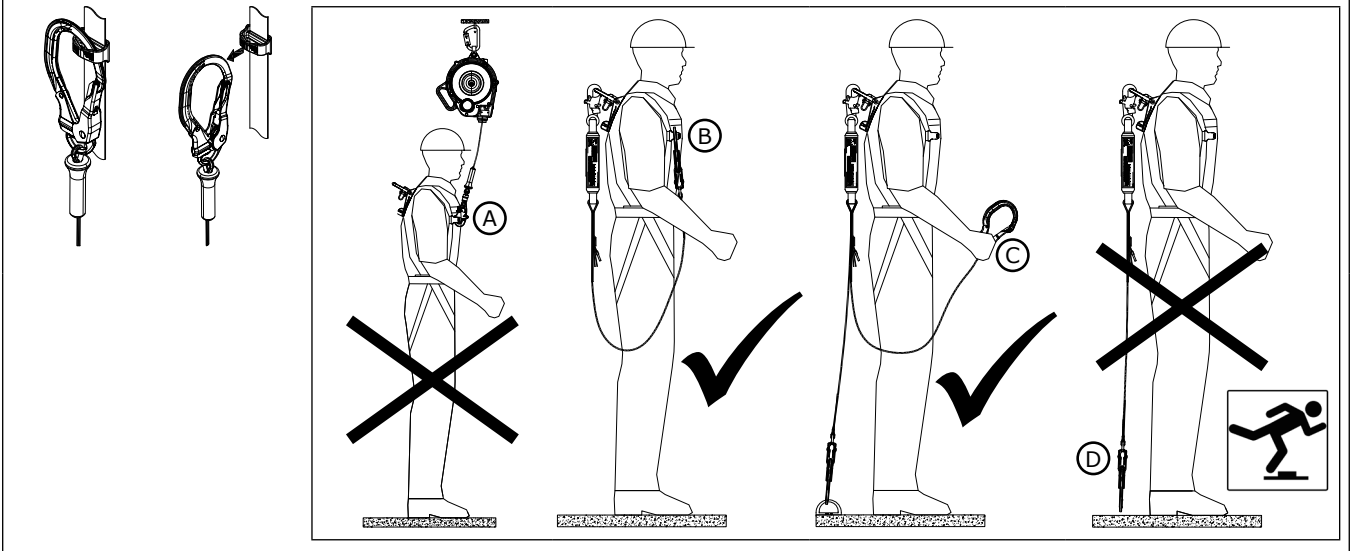
6



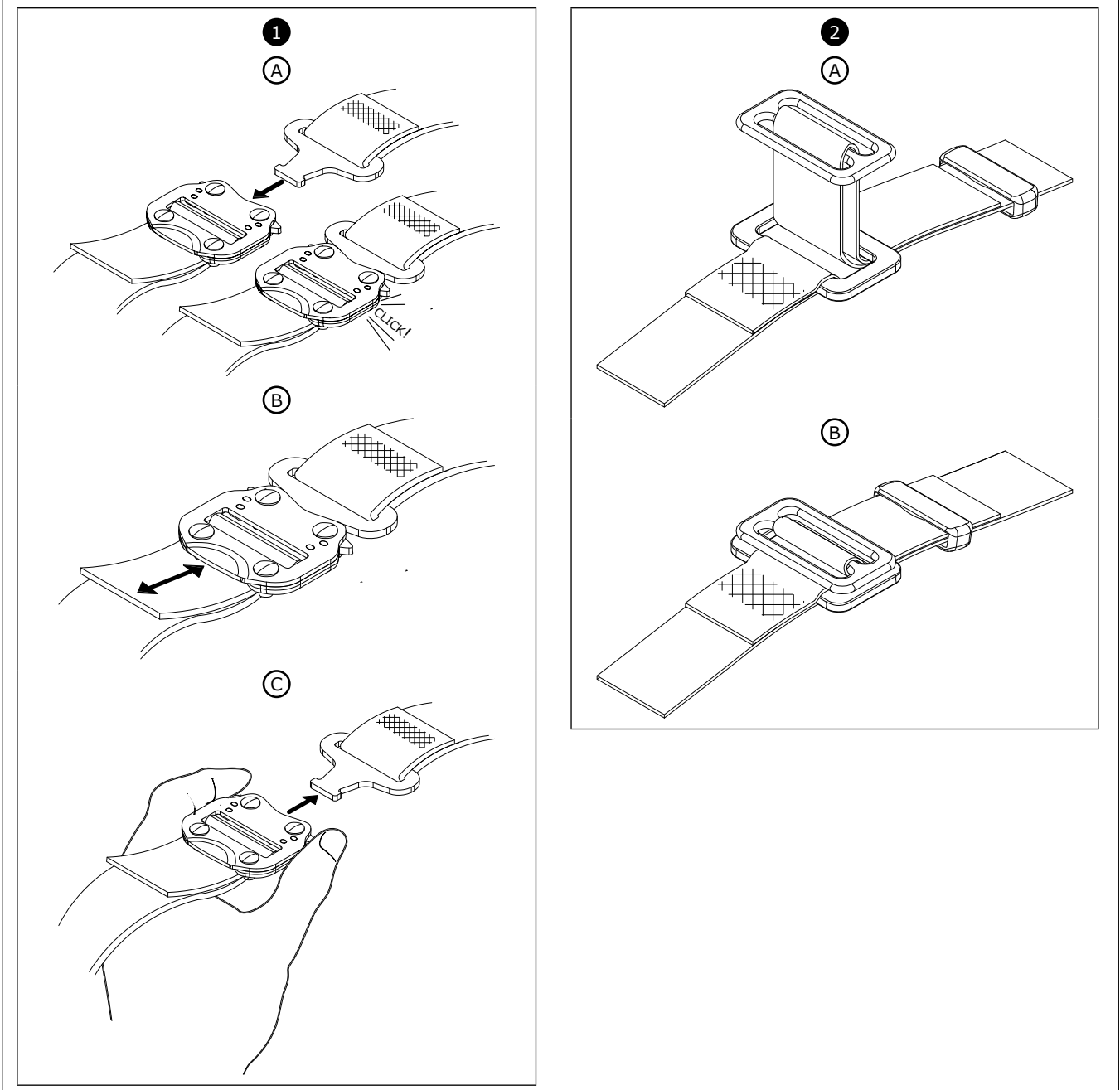
7



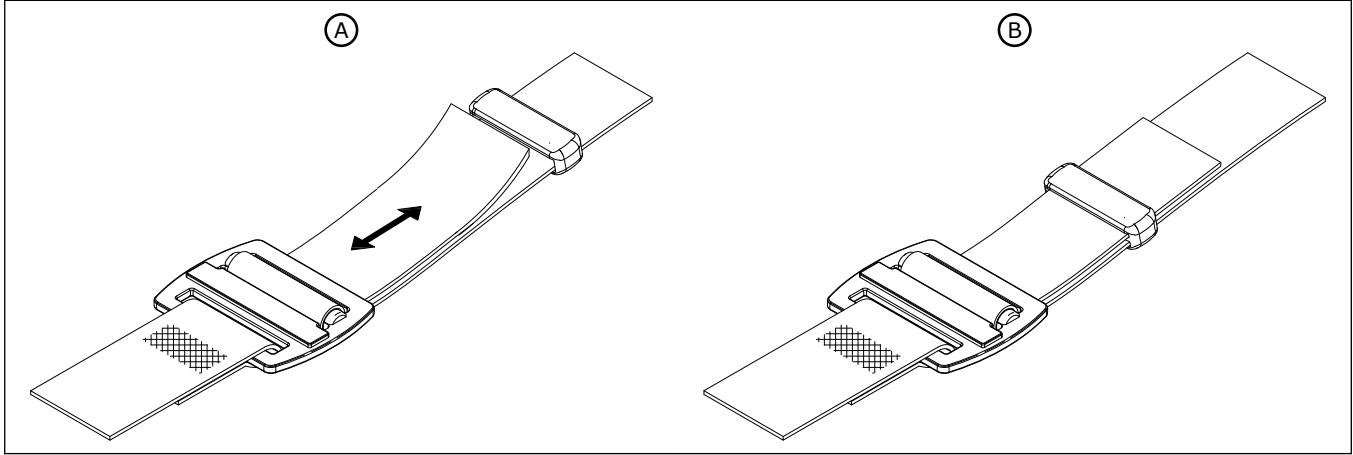
8



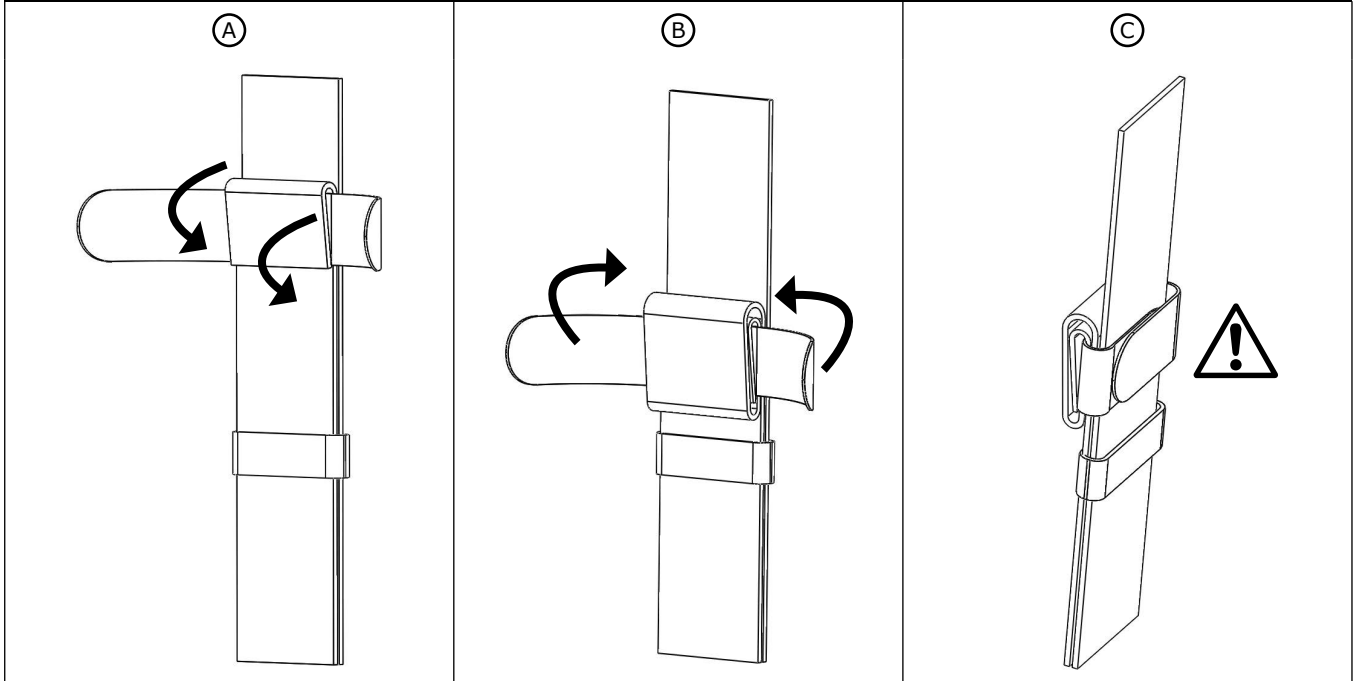
9



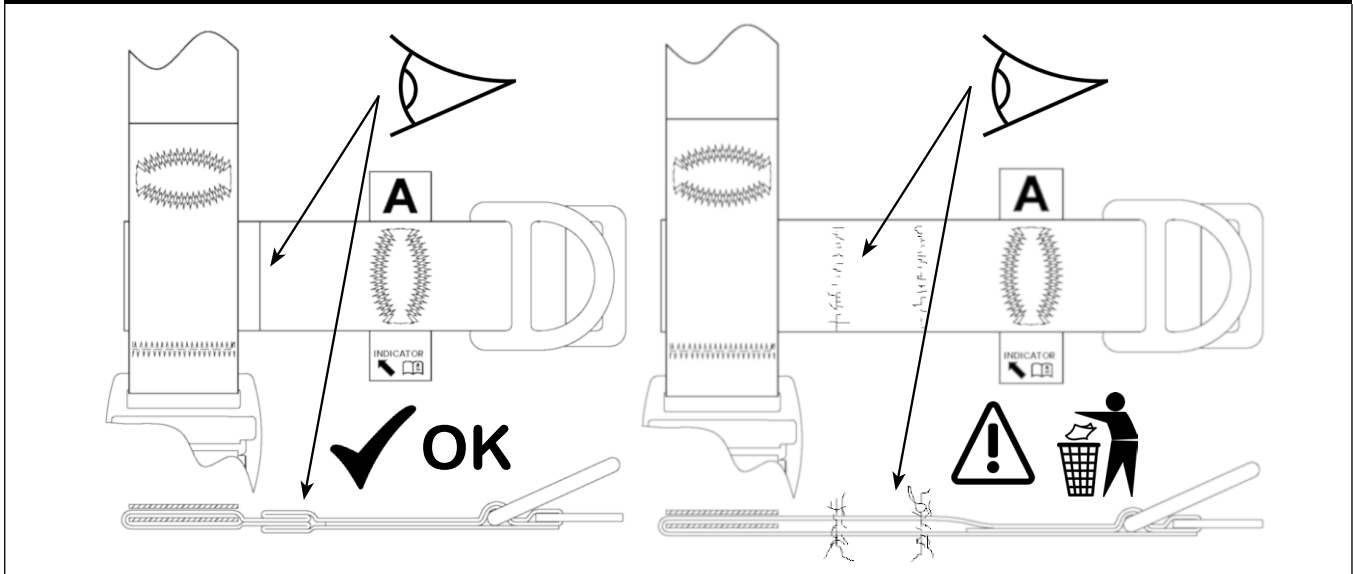
10



11



12



1



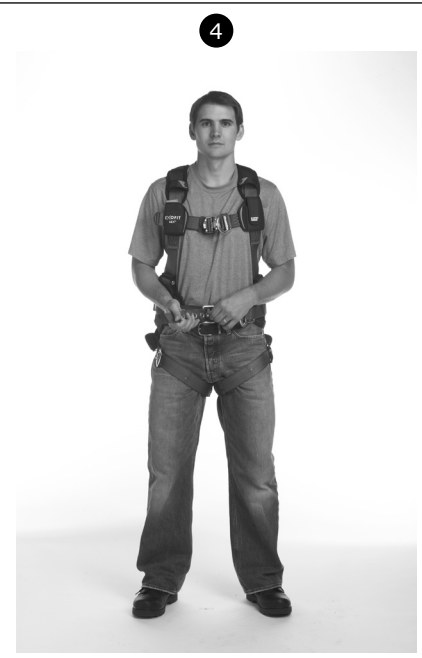
2



3



4



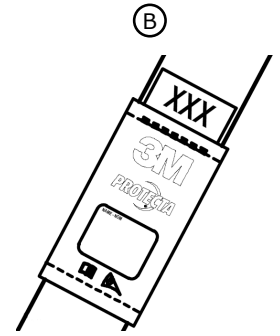
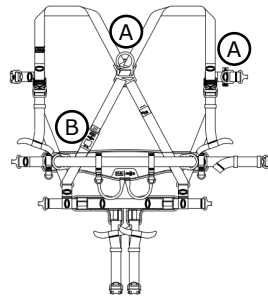
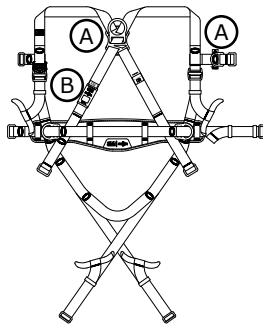
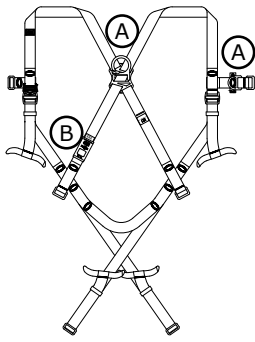
5



6



1




2

3

(A) INSPECTION LOG / RELEVÉ D'INSPECTION		SERIAL NO. / N° DE SERIE 8070000001		(B)	
INITIAL / INITIALE	(C)				
	(D)				
Made in EU					
(E) DO NOT REMOVE THIS LABEL / NE PAS ENLEVER CETTE ETIQUETTE					

(A)
USER INFORMATION / INFORMATION UTILISATEUR
MARK LABEL WITH PERMANENT MARKER / MARQUER L'ETIQUETTE AVEC UN MARQUEUR INDELEBILE

4

(A)	Serial: 	Capacity: 140 kg MAX	(G)
	3M PROTECTA BODY HARNESS / POLYESTER WEB		
	Fall Protection (L) Belt size : 70cm - 100cm		
	www.3M.com/Fallprotection	CE 1019 EN358:2018	(F)
	Jegorovova 35 Banská Bystrica 974 01 Slovakia	EN361:2002	
	MFRD: (J) 08 / 19	LOT: (K) 90800000	
		P/N 1161624	
		SIZE: S	Rev. A
(I)	(B) (C)	(D)	(E) (H)

S
(H)

Please read, understand, and follow all safety information contained in these instructions prior to the use of this Full Body Harness. FAILURE TO DO SO COULD RESULT IN SERIOUS INJURY OR DEATH.

These instructions must be provided to the user of this equipment. Retain these instructions for future reference.

Intended Use:

This Full Body Harness is intended for use as part of a complete personal fall protection system.

Use in any other application including, but not limited to, material handling, recreational or sports related activities, or other activities not described in the User Instructions, is not approved by 3M and could result in serious injury or death.

This device is only to be used by trained users in workplace applications.

WARNING

This Full Body Harness is part of a personal fall protection system. It is expected that all users be fully trained in the safe installation and operation of their personal fall protection system. **Misuse of this device could result in serious injury or death.** For proper selection, operation, installation, maintenance, and service, refer to these User Instructions and all manufacturer recommendations, see your supervisor, or contact 3M Technical Service.

- **To reduce the risks associated with working with a Full Body Harness which, if not avoided, could result in serious injury or death:**
 - Inspect the device before each use, at least annually, and after any fall event. Inspect in accordance with the User Instructions.
 - If inspection reveals an unsafe or defective condition, remove the device from service and destroy it.
 - Any device that has been subject to fall arrest or impact force must be immediately removed from service and destroyed.
 - Ensure the harness is worn correctly, appropriately sized, and properly adjusted.
 - Ensure all connecting subsystems (e.g. lanyards) are kept free from all hazards including, but not limited to, entanglement with other workers, yourself, moving machinery, or other surrounding objects.
 - Ensure that fall protection systems/subsystems assembled from components made by different manufacturers are compatible and meet the requirements of applicable standards, including the ANSI Z359 or other applicable fall protection codes, standards, or requirements. Always consult a Competent or Qualified Person before using these systems.
- **To reduce the risks associated with working at height which, if not avoided, could result in serious injury or death:**
 - Ensure your health and physical condition allow you to safely withstand all of the forces associated with working at height. Consult with your doctor if you have any questions regarding your ability to use this equipment.
 - Never exceed allowable capacity of your fall protection equipment.
 - Never exceed maximum free fall distance of your fall protection equipment.
 - Do not use any fall protection equipment that fails pre-use or other scheduled inspections, or if you have concerns about the use or suitability of the equipment for your application. Contact 3M Technical Services with any questions.
 - Some subsystem and component combinations may interfere with the operation of this equipment. Only use compatible connections. Consult 3M prior to using this equipment in combination with components or subsystems other than those described in the User Instructions.
 - Use extra precautions when working around moving machinery (e.g. top drive of oil rigs), electrical hazards, extreme temperatures, chemical hazards, explosive or toxic gases, sharp edges, or below overhead materials that could fall onto you or your fall protection equipment.
 - Use Arc Flash or Hot Works devices when working in high heat environments.
 - Avoid surfaces and objects that can damage the user or equipment.
 - Ensure there is adequate fall clearance when working at height.
 - Never modify or alter your fall protection equipment. Only 3M or parties authorized in writing by 3M may make repairs to the equipment.
 - Prior to use of fall protection equipment, ensure a rescue plan is in place which allows for prompt rescue if a fall event occurs.
 - If a fall event occurs, immediately seek medical attention for the worker who has fallen.
 - Do not use a body belt for fall arrest applications. Use only a Full Body Harness.
 - Minimize swing falls by working as directly below the anchorage point as possible.
 - If training with this device, a secondary fall protection system must be utilized in a manner that does not expose the trainee to an unintended fall hazard.
 - Always wear appropriate personal protective equipment when installing, using, or inspecting the device/system.

Before using this equipment, record the product identification information from the ID label in the "Inspection and Maintenance Log" at the back of this manual.

Always ensure you are using the latest revision of your 3M instruction manual. Visit the 3M website or contact 3M Technical Services for updated instruction manuals.

DESCRIPTION

Figure 1 defines available 3M™ Protecta® Full Body Harness models. Harness models are available with various combinations of the following features:

	Figure 1 Reference:	Description:
Sizes	S, M/L, XL	Small, Medium/Large, Extra Large
	Ⓑ	Body Belt Size in cm
Attachment Elements	①	Dorsal D-Ring
	②	Sternal D-Ring
	③	Hip D-Rings
	④	Shoulder D-Ring
Buckles	⑤	Quick Connect Buckles
	⑥	Pass-Through Buckles
Adjusters	⑦	Parachute Adjuster
Pads	⑧	Belt & Hip Pads
	⑨	Leg Pads
Additional Features	⑩	Break-Away Auto-Reset Lanyard Keepers
	⑪	Web End Management Velcro Straps (See Figure 11)
	⑫	Rescue Strap
	⑬	Tool Loops

SPECIFICATIONS

Performance:	
Maximum Arresting Force:	6 kN (1 349 lbf)
Capacity:	140 kg (310 lb.)
Operating Temperature:	Minimum: -35 °C (-31 °F) Maximum: +57 °C (135 °F)

Materials:	
Webbing	Polyester - 22 kN (4 946 lbf) Tensile Strength
Pad Covers	Blend of Nylon and Polyester
Label Cover	Blend of Nylon and Polyester
Thread	Polyester Thread on Polyester Webbing
D-Rings	Alloy Steel - 22 kN (4 946 lbf) Tensile Strength
Quick Connect Buckles	Steel, Stainless Steel, and Alloy Steel - 18 kN (4 047 lbf) Tensile Strength
Pass-Through Buckles	Alloy Steel - 18 kN (4 047 lbf) Tensile Strength
Parachute Torso Adjusters	Alloy Steel - 18 kN (4 047 lbf) Tensile Strength

1.0 PRODUCT APPLICATIONS

1.1 PURPOSE: Full Body Harnesses are to be used as components in Personal Fall Protection System designed to prevent a fall or safely arrest a fall (see Figure 2). Full Body Harnesses are used in the following applications:

(A)	Fall Arrest (EN360, EN361, EN355): Personal fall arrest systems typically include a Full Body Harness and a connecting subsystem (Energy Absorbing Lanyard, Self-Retracting Device, etc.). Maximum arresting force must not exceed 6 kN (1 349 lbf). Anchorage Strength: Selected anchorage must sustain loads of 12 kN (2 698 lbf) or greater.
(B)	Work Positioning (EN358, EN813): Work positioning systems typically include a Full Body Harness, positioning lanyard, and a back-up personal fall arrest system. For work positioning applications, connect the work positioning subsystem (example: lanyard, Y-lanyard, etc.) to the lower (hip level) side or belt mounted work positioning attachment anchorage elements (D-Rings). Never use these connection points for fall arrest. <i>Attachment Elements:</i> Frontal, Hip. <i>Anchorage Strength:</i> Selected anchorage must sustain loads of 12 kN (2 698 lbf) or greater.
(C)	Climbing (EN353-1): The Full Body Harness is used as a component of a climbing system to prevent the user from falling when climbing a ladder or other climbing structure. Climbing systems typically include a Full Body Harness, vertical cable or rail attached to the structure, and climbing sleeve. For ladder climbing applications, harnesses equipped with a frontal D-Ring in the sternal location may be used for fall arrest on fixed ladder climbing systems. <i>Attachment Elements:</i> Sternal. <i>Anchorage Strength:</i> Structure to which the climbing system is attached must sustain the loads required by the climbing system manufacturer's documentation.
(D)	Rescue (EN1496, EN1497, EN1498): The Full Body Harness is used as a component of a rescue system. Rescue systems are configured depending on the type of rescue. For limited access (confined space) applications, harnesses equipped with D-Rings on the shoulders may be used for entry and egress into confined spaces where worker profile is an issue. <i>Attachment Elements:</i> Dorsal, Sternal, Frontal, Shoulder. <i>Anchorage Strength:</i> Selected anchorage must sustain loads of 12 kN (2 698 lbf) or greater.
(E)	Controlled Descent (EN341): For controlled descent applications, harnesses equipped with a single sternal level D-Ring, one or two frontal mounted D-Rings, or a pair of connectors originating below the waist (such as a seat sling) may be used for connection to a descent or evacuation system. <i>Attachment Elements:</i> Dorsal Sternal, Frontal. <i>Anchorage Strength:</i> Selected anchorages must sustain loads of 12 kN (2 698 lbf) or greater.
(F)	Restraint (EN354): The Full Body Harness is used as a component of a restraint system to prevent the user from reaching a fall hazard. Restraint systems typically include a Full Body Harness and a lanyard or restraint line. <i>Attachment Elements:</i> Dorsal, Sternal, Frontal, Hip. <i>Anchorage Strength:</i> Selected anchorage must sustain loads of at least 18 kN (4 047 lbf) when lanyards including any textile material or textile lanyard elements, e.g. synthetic fibre ropes or webbing are used. When lanyards made entirely of metallic elements are used, anchorage must sustain loads of at least 12 kN (2 698 lbf).

1.2 STANDARDS: Harnesses included in this manual conform to the standard(s) identified on the front cover of this instruction. If this product is resold outside the original country of destination, the re-seller must provide these instructions in the language of the country in which the product will be used.

1.3 TRAINING: It is the responsibility of the user and the purchaser of this equipment to assure that they are familiar with these instructions, trained in the correct care and use of, and are aware of the operating characteristics, application limits, and the consequences of improper use of this equipment.

1.4 LIMITATIONS: Always consider the following application limitations before using this equipment:

- **CAPACITY:** The Full Body Harness is designed for use by persons with a combined weight (clothing, tools, etc.) of no more than 140 kg (309 lb.). Make sure all of the components in your system are rated to a capacity appropriate to your application.
- **FREE FALL:** A fall arrest system shall include energy absorbing elements or functions to ensure that the impact forces on the body of the user during the arrest of a free fall are restricted to a maximum of 6 kN (1 349 lbf). Restraint systems must be rigged so that no vertical free fall is possible. Work positioning systems must be rigged so that free fall is limited to 60 cm (24 in.) or less. Personnel riding systems must be rigged so that no vertical free fall is possible. Rescue systems must be rigged so that no vertical free fall is possible. See subsystem manufacturer's instructions for more information.
- **FALL CLEARANCE:** Figure 3 illustrates the components of a Fall Arrest. There must be sufficient Fall Clearance (FC) to arrest a fall before the user strikes the ground or other obstruction. Clearance is affected by a number of factors including: (A) Lanyard Length, (B) Lanyard Deceleration Distance or SRD Maximum Arrest Distance, (C) Harness Stretch and D-Ring/Connector Length and Settling (typically a Safety Factor of 0,5 m (1,6 ft.)). Refer to the instructions included with your Lanyard or Self-Retracting Device for specifics regarding Fall Clearance calculation.
- **SWING FALLS:** Swing Falls occur when the anchorage point is not directly above the point where a fall occurs (see Figure 4). The force of striking an object in a swing fall may cause serious injury or death. Minimize swing falls by working as directly below the anchorage point as possible. Do not permit a swing fall if injury could occur. Swing falls will significantly increase the clearance required when a Self-Retracting Device or other variable length connecting subsystem is used.
- **EXTENDED SUSPENSION AND SUSPENSION TRAUMA:** A Full Body Harness is not intended for use in extended suspension applications. Extended suspension can cause Suspension Trauma. If the user is going to be suspended for an extended length of time it is recommended that some form of seat support be used. 3M recommends a seat board, suspension work seat, seat sling, or a boatswain chair. Contact 3M for more information on these items.
- **ENVIRONMENTAL HAZARDS:** Use of this equipment in areas with environmental hazards may require additional precautions to prevent injury to the user or damage to the equipment. Hazards may include, but are not limited to; heat, chemicals, corrosive environments, high voltage power lines, gases, moving machinery, and sharp edges.
- **HARNESSES FOR HIGH TEMPERATURE ENVIRONMENTS:** Harnesses with Kevlar webbing are designed for use in high temperature environments, with limitations: Kevlar webbing begins to char at 425 - 480 °C (800 - 900 °F). Kevlar webbing can withstand limited contact exposure to temperatures up to 535 °C (1 000 °F). Polyester webbing loses strength at 145 - 200 °C (300 - 400 °F). PVC coating on hardware has a melting point of approximately 175 °C (350 °F).

Although PVC coated and zinc plated hardware exhibit excellent corrosion resistance in chemical, acidic, alkaline, and atmospheric conditions, frequent inspections may be required. Consult with 3M if you question the use of this equipment in hazardous environments.

2.0 SYSTEM REQUIREMENTS

- 2.1 RESCUE PLAN:** When using this equipment and connecting subsystem(s), the employer must have a rescue plan and the means at hand to implement and communicate that plan to users¹, authorized persons², and rescuers³.
- 2.2 INSPECTION FREQUENCY:** The Full Body Harness shall be inspected by the user before each use and by a competent person⁴ other than the user at intervals of no more than one year⁵. Inspection procedures are described in the *User Instruction Manual's "Inspection and Maintenance Log"*. Results of each Competent Person inspection should be recorded on copies of the *"Inspection and Maintenance Log"* or tracked with the Radio Frequency Identification system (see *"Inspection"*).

Where required by 3M, due to complexity or innovation of the equipment; or where critical knowledge is needed in dismantling, reassembly, or assessment of the equipment, periodic examinations shall only be conducted by 3M or persons or organizations authorized by 3M.

- 2.3 COMPATIBILITY OF COMPONENTS:** 3M equipment is designed for use with 3M approved components and subsystems only. Substitutions or replacements made with non-approved components or subsystems may jeopardize compatibility of equipment and may affect the safety and reliability of the complete system.
- 2.4 COMPATIBILITY OF CONNECTORS:** Connectors are compatible with connecting elements when they have been designed to work together in such a way that their sizes and shapes do not cause their gate mechanisms to inadvertently open regardless of how they become oriented. Contact 3M if you have any questions about compatibility. Connectors (hooks, carabiners, and D-Rings) must be capable of supporting at least 22 kN (4 946 lbf). Connectors must be compatible with the anchorage or other system components. Do not use equipment that is not compatible. Non-compatible connectors may unintentionally disengage (See Figure 5). Connectors must be compatible in size, shape, and strength. If the connecting element to which a snap hook (shown) or carabiner attaches is undersized or irregular in shape, a situation could occur where the connecting element applies a force to the gate of the snap hook or carabiner. This force may cause the gate to open, allowing the snap hook or carabiner to disengage from the connecting point. Self-locking snap hooks and carabiners are required.
- 2.5 MAKING CONNECTIONS:** Use only self-locking snap hooks and carabiners with this equipment. Use only connectors that are suitable for each application. Ensure all connections are compatible in size, shape and strength. Do not use equipment that is not compatible. Ensure all connectors are fully closed and locked.

3M connectors (snap hooks and carabiners) are designed to be used only as specified in each product's user's instructions. See Figure 6 for inappropriate connections. 3M snap hooks and carabiners should not be connected:

- A. To a D-Ring to which another connector is attached.
 - B. In a manner that would result in a load on the gate.
 - C. In a false engagement, where features that protrude from the snap hook or carabiner catch on the anchor, and without visual confirmation seems to be fully engaged to the anchor point.
 - D. To each other.
 - E. Directly to webbing or rope lanyard or tie-back (unless the manufacturer's instructions for both the lanyard and connector specifically allows such a connection).
 - F. To any object which is shaped or dimensioned such that the snap hook or carabiner will not close and lock, or that roll-out could occur.
 - G. In a manner that does not allow the connector to align properly while under load.
- 2.6 CONNECTING SUBSYSTEMS:** Connecting subsystems (self-retracting lifeline, lanyard, rope grab and lifeline, cable sleeve, etc.) must be suitable for your application (See section 1.1). See the subsystem manufacturer's instructions for additional information. Some harness models have web loop connection points. Do not use snap hooks to connect to web loops. Use a self-locking carabiner to connect to a web loop. Ensure the carabiner cannot cross-gate load (load against the gate rather than along the major axis of the carabiner). Some lanyards are designed to choke onto a web loop to provide a compatible connection. Lanyards may be sewn directly to the web loop forming a permanent connection. Do not make multiple connections onto one web loop, unless choking two lanyards onto a properly sized web loop. To choke the lanyard on a web loop (Figure 7): A) Insert the lanyard web loop through the web loop or D-Ring on the harness. B) Insert the appropriate end of the lanyard through the lanyard web loop. C) Pull the lanyard through the connecting web loop to secure.
- 2.7 LANYARD PARKING:** Figure 8 illustrates Lanyard Parking. The Lanyard Parking Attachment is for attaching the free end of a Lanyard or harness mounted Self-Retracting Device when not connected to an Anchorage Connection Point for purposes of fall protection. Lanyard Parking Attachments must never be used as a Fall Protection Attachment Element on the Harness for connecting a Lanyard or Self-Retracting Device (A).

When not connected to an Anchorage Connection Point, an unconnected Lanyard Leg must be properly parked on the harness (B) or secured in the user's hand as in 100% Tie-Off applications (C). Free hanging Lanyard Legs (D) can trip the user or catch on surrounding objects resulting in a fall.

1 User: A person who performs activities at heights while protected by a personal fall protection system.

2 Authorized Person: A person assigned by the employer to perform duties at a location where the person will be exposed to a fall hazard.

3 Rescuer: Person or persons other than the rescue subject acting to perform an assisted rescue by operation of a rescue system.

4 Competent Person: One who is capable of identifying existing and predictable hazards in the surroundings or working conditions which are unsanitary, hazardous, or dangerous to employees, and who has authorization to take prompt corrective measures to eliminate them.

5 Inspection Frequency: Extreme working conditions (harsh environments, prolonged use, etc.) may require increasing the frequency of competent person inspections.

3.0 PRODUCT USE

3.1 **BEFORE EACH USE** of this equipment inspect it according to the "Inspection and Maintenance Log" (Table 1).

3.2 **PLAN** your system before use. Consider all factors that will affect your safety during use of this equipment. The following list gives important points to consider when planning your system:

- **Anchorage:** Select an anchorage capable of sustaining the Static Load requirements of the intended fall protection application (see Section 1.1). The anchorage location should address Free Fall, Fall Clearance, Swing Fall, and Environmental limitations described in Section 1.4.
- **Sharp Edges:** Avoid working where system components may be in contact with, or abrade against, unprotected sharp edges.
- **After A Fall:** Components which have been subjected to the forces of arresting a fall must be removed from service and destroyed.
- **Rescue:** The employer must have a rescue plan when using this equipment. The employer must have the ability to perform a rescue quickly and safely.
- **Rescue Harness:** Rescue Harnesses (EN1497) are intended to be worn during normal work activities. Before using rescue attachment elements for the first time, the user should carry out a suspension test in safe conditions to ensure the harness is sized and fitted for optimal comfort during suspension.
- **Work Positioning:** Always consider the need of using a back-up Personal Fall Protection System (e.g. a Fall Arrest System) when using a Work Positioning System. Always use an anchor point positioned at or above waist level.

3.3 **BUCKLES:** Full Body Harnesses are equipped with various Buckles for fastening and adjusting Body Belts, Leg Straps and Chest Straps. See Figure 1 for the buckle types on your Harness. Figure 9 illustrates operation of each of the following buckles:

1. Quick Connect Buckles:

- A. To fasten the Quick Connect Buckle, insert the Tab into the Receptor until a click is heard.
- B. To adjust the attached Web Strap: Pull the Web Strap forward or backward through the Buckle Slot to tighten or loosen.
- C. To release the Quick Connect Buckle: Squeeze the Lock Levers on each side of the Receptor. Pull the Tab out of the Receptor.

2. Pass Through Buckles:

- A. Insert the Male Buckle through the slot in the Female Buckle.
- B. Tighten the free strap so the Male Buckle is flush against the Female Buckle. Secure the free strap in the Strap Keeper.

3.4 **ADJUSTMENTS:** Harnesses are equipped with a pair of Torso Adjusters for adjusting the Shoulder Straps. Figure 10 illustrates adjustment of the Torso Adjusters:

1. Parachute Torso Adjusters: To adjust the Shoulder Straps with the Parachute Torso Adjusters:

- A. Pull on the free strap to tighten the Shoulder Strap. To loosen the Shoulder Strap, pull on the free strap and then back the strap through the Parachute Adjuster.
- B. When properly adjusted, secure the free strap in the Strap Keeper.

If the Velcro Web End Management (See Figure 11) is present, roll back the free web strap until tight (A), joint the velcro stripes back over the strap and secure the stripes (B). Ensure the roll is tight and the Strap Keeper is displaced close to the roll (C).

3.5 **DONNING AND FITTING THE FULL BODY HARNESS:** Figure 13 illustrates donning and fitting of the Full Body Harness. Prior to each use, inspect the harness per the checklist on the "Inspection and Maintenance Log (Table 1)". To don and fit the harness:

Procedures for buckling and adjusting the straps on your Harness will vary with the harness model. See Sections 3.3 thru 3.4 and Figures 9 thru 10 for details.

1. Lift up and hold the harness by the back Dorsal D-Ring. Ensure the straps are not twisted.
2. Grasp the Shoulder Straps and slip the harness onto one arm. The Dorsal D-Ring will be located on your back side. Ensure that the straps are not tangled and hang freely. Slip your free arm into the harness and position the Shoulder Straps on top of your shoulders. The Chest Strap and Chest Buckle will be positioned on the front side when worn properly.
3. Reach between your legs and grasp the Leg Strap on your right side. Bring the strap up between your legs; buckle to the mating buckle on your right hip, and adjust the Leg Strap for a snug comfortable fit (see Section 3.3 for buckle operation). When properly adjusted, tuck the loose end of the Leg Strap under the Strap Keeper. Repeat this process to buckle and adjust the left Leg Strap.
4. Adjust and buckle the Tongue Buckle Waist Belt if present. (See Section 3.3 for Tongue Buckle operation).
5. Buckle and adjust the Chest Strap (see Section 3.3 for buckle operation). The Chest Strap should be 15 cm (6 in.) down from the top of your shoulders. When properly adjusted, tuck the loose end of the Chest Strap under the Strap Keeper.
6. Adjust the Shoulder Straps for a Snug Fit with the Torso Adjusters (see Section 3.4 for Torso Adjuster operation). Left and right sides of Shoulder Straps should be adjusted to the same length and the Chest Strap should be centered on your lower chest, 15 cm (6 in.) down from the shoulders. The back Dorsal D-Ring should be centered between your Shoulder Blades. The front Sternal D-Ring, if present, should be located laterally within 5 cm (2) of the vertical center line of the harness.

Regularly check fastening and adjustment elements during use.

- 3.6 USE OF FALL ARREST D-RING OR ATTACHMENT ELEMENT:** Anchor points for Fall Arrest are marked by capital letter "A". For Fall Arrest applications connect to the Dorsal D-ring attachment element on your back, or Sternal D-ring attachment element on your chest. Side D-rings, if present, are for Positioning or Restraint applications only. Shoulder attachments are for Rescue or Retrieval applications only. The front Sternal D-ring is for Ladder Climbing or Positioning. D-rings on a Suspension Seat are for Suspension or Positioning applications only. (See Section 1.1.).
- 3.7 MAKING CONNECTIONS:** When using a hook to connect to an anchorage or when coupling components of the system together, ensure roll-out cannot occur. Roll-out occurs when interference between the hook and mating connector causes the hook gate to unintentionally open and release. Self-locking snap hooks and carabiners should be used to reduce the possibility of roll-out. Do not use hooks or connectors that will not completely close over the attachment object. See subsystem manufacturer's instructions for more information on making connections.
- 3.8 CONNECTING SYSTEM COMPONENTS:** After fitting the Harness the user may then connect to other system components. Follow the guidelines in Section 2 and the manufacturer's instructions included with the component.

4.0 INSPECTION

- 4.1 INSPECTION FREQUENCY:** The Full Body Harness must be inspected at the intervals defined in Section 2.2. Inspection procedures are described in the "Inspection and Maintenance Log" (Table 1).
- 4.2 DEFECTS:** If inspection reveals a defective condition, remove the harness from service immediately and destroy.
- 4.3 PRODUCT LIFE:** The functional life of Harnesses is determined by work conditions and maintenance. Maximum lifespan can range from 1 year for heavy use in extreme conditions to 10 years for light use in mild conditions. As long as the product passes inspection criteria, it may remain in service up to a maximum of 10 years.

5.0 MAINTENANCE, SERVICE and STORAGE

Do not clean or disinfect the product by any method other than described in the following cleaning instructions. Other methods may have adverse effects on the product or user.

- 5.1 CLEANING:** 3M full body harnesses must be cleaned in accordance with 3M instructions. To clean the harness, wash in a mild, bleach-free detergent and then rinse. The harness should afterwards be hung to air-dry. Water used for cleaning and temperatures used to air-dry should never exceed 130°F (54.4°C). For more information, please refer to the technical bulletin on our website: <http://www.3M.com/FallProtection/WebCleaning>


For any questions about cleaning procedures, please contact 3M Technical Services.

- 5.2 SERVICE:** Full Body Harnesses are not repairable. If the Harness has been subjected to fall force or inspection reveals an unsafe or defective condition, remove the harness from service immediately and destroy.
- 5.3 STORAGE AND TRANSPORT:** Store and transport the Full Body Harness in a cool, dry, clean environment out of direct sunlight. Avoid areas where chemical vapors may exist. Thoroughly inspect the harness after extended storage.

6.0 LABELS and MARKINGS

- 6.1 LABELS:** Figure 14 illustrates product labels and their location on the Full Body Harness. All labeling must be present and fully legible.

Information on each label is as follows:

1	Ⓐ Anchor point for fall arrest, marked by capital letter "A" Ⓑ Label location
2	Ⓐ Inspection Log Ⓑ Serial number Ⓒ Initials Ⓓ Date Ⓔ Do not remove this label.
3	Ⓐ User information label
4	Ⓐ Serial number Ⓑ Month of manufacture Ⓒ Year of manufacture Ⓓ Batch number Ⓔ Model number Ⓕ European standard Ⓖ Capacity Ⓗ Size Ⓘ  See Instructions Ⓝ CE Marking of European Conformity Ⓚ Number of Notified body carrying out Conformity to type. Ⓛ Body belt size

Моля, преди да използвате този Full Body Harness (предпазен колан за цялото тяло), прочетете, разберете и следвайте всички насоки за безопасност, съдържаща се в тези инструкции. НЕСПАЗВАНЕТО НА ИНСТРУКЦИИТЕ МОЖЕ ДА ДОВЕДЕ ДО СЕРИОЗНИ НАРАНЯВАНИЯ ИЛИ СМЪРТ.

Тези инструкции трябва да бъдат предоставени на потребителя на това оборудване. Запазете тези инструкции за бъдещи справки.

Предназначение:

Този Full Body Harness (предпазен колан за цялото тяло) е предназначен за използване като част от цялостна система за лична защита срещу падане.

Използване с друго приложение, включително, но не само, обработка на материали, развлекателни или спортни дейности, или други дейности, които не са описани в инструкциите за потребителя, не е одобрено от ЗМ и може да доведе до сериозни наранявания или смърт.

Това устройство трябва да се използва само от обучени потребители за използване на работното място.

ПРЕДУПРЕЖДЕНИЕ

Този Full Body Harness (предпазен колан за цялото тяло) е част от цялостна система за лична защита срещу падане. Очаква се всички потребители да бъдат напълно обучени относно безопасното инсталиране и експлоатация на тяхната система за лична защита срещу падане. **Неправилното използване на това устройство може да доведе до сериозно нараняване или смърт.** За правилен избор, експлоатация, инсталиране, поддръжка и сервиз, направете справка с тези инструкции за потребителя и всички препоръки на производителя, обърнете се към Вашия ръководител или се свържете с техническата служба на ЗМ.

- **За да се намалят рисковете, свързани с работата с Full Body Harness (предпазен колан за цялото тяло), които, ако не бъдат избегнати, могат да доведат до сериозно нараняване или смърт:**
 - Проверявайте устройството преди всяка употреба, най-малко веднъж годишно и след всеки случай на падане. Проверявайте в съответствие с инструкциите за потребителя.
 - Ако при проверката бъде установено опасно или неизправно състояние, извадете устройството от експлоатация и го унищожете.
 - Всяко устройство, което е било подложено на спиране на падане или удар, трябва да бъде незабавно извадено от експлоатация и унищожено.
 - Уверете се, че коланът се носи правилно, че размерът му е подходящ и че е правилно регулиран.
 - Уверете се, че всички свързващи подсистеми (напр. въжета) са защитени от всякакви рискове, включително, но не само, оплитане около вас, заплитане с други работници, движещи се машини или други околни обекти.
 - Уверете се, че системите/подсистемите за защита от падане, сглобени от компоненти, произведени от различни производители, са съвместими и отговарят на изискванията на приложимите стандарти, включително на документите ANSI Z359 на Американския национален институт за стандарти, (American National Standards Institute – [ANSI]), или на другите приложими закони, стандарти или изисквания за защита срещу падане. Преди да използвате тези системи, винаги се консултирайте с компетентно или квалифицирано лице.
- **За да се намалят рисковете, свързани с работата на височина, които, ако не бъдат избегнати, могат да доведат до сериозни наранявания или смърт:**
 - Уверете се, че Вашето здраве и физическо състояние Ви позволяват безопасно да издържите на всички натоварвания, свързани с работа на височина. Консултирайте се с Вашия лекар, ако имате някакви въпроси относно възможностите Ви да използвате това оборудване.
 - Никога не надвишавайте допустимия капацитет на Вашето оборудване за защита срещу падане.
 - Никога не надвишавайте определеното максимално разстояние за свободно падане на Вашето оборудване за защита срещу падане.
 - Не използвайте оборудване за защита срещу падане, което не отговаря на предварителната проверка за употреба или на други планирани проверки, или ако имате притеснения относно използването или пригодността на оборудването за Вашата работа. За всякакви въпроси се свържете с техническата служба на ЗМ.
 - Някои комбинации от подсистеми и компоненти могат да попречат на работата на това оборудване. Използвайте само съвместими връзки. Преди да използвате това оборудване в комбинация с компоненти или подсистеми, различни от описаните в инструкциите за потребителя, се консултирайте с ЗМ.
 - Прилагайте допълнителни предпазни мерки, когато работите около движещи се машини (напр. горно задвижване на нефтени платформи), опасности, свързани с използването на електроенергия, екстремни температури, химически опасности, експлозивни или токсични газове, остри ръбове или под повърхностни материали, които могат да паднат върху Вас или върху оборудването за защита срещу падане.
 - Когато работите в среда с висока температура, използвайте предпазни устройства Arc Flash или Hot Works.
 - Избягвайте повърхности и предмети, които могат да причинят травми на потребителя или повреди по оборудването.
 - Уверете се, че има достатъчно пространство за свободно падане при работа на височина.
 - Никога не правете промени или изменения на Вашето оборудване за защита срещу падане. Само ЗМ или страни, писмено упълномощени от ЗМ могат да извършват ремонт на оборудването.
 - Преди да използвате оборудване за защита срещу падане, уверете се, че има план за спасяване, който позволява бързо спасяване, ако се случи инцидент, свързан с падане.
 - Ако се случи инцидент, свързан с падане, незабавно потърсете медицинска помощ за падналият работник.
 - Не използвайте колан, поставен на тялото, за спиране на падането. Използвайте само Full Body Harness (предпазен колан за цялото тяло).
 - Минимизирайте падането от залюляване, като работите директно под точката на закрепване, доколкото е възможно.
 - При обучение с това устройство трябва да се използва вторична система за защита срещу падане по начин, който не излага обучаващия се на непредвидена опасност от падане.
 - Когато инсталирате, използвате или проверявате устройството/системата, винаги носете подходящи лични предпазни средства.

Преди да използвате това оборудване, запишете идентификационната информация за продукта от идентификационния етикет в „Протокол за проверка и поддръжка“ на гърба на това ръководство.

Винаги използвайте най-новата версия на инструкциите за употреба от ЗМ. Посетете уеб сайта на ЗМ или се свържете с отдела за техническо обслужване на ЗМ за актуализирани инструкции за употреба.

ОПИСАНИЕ

Фигура 1 определя наличните модели ЗМ™ Protecta® сбруи за цяло тяло. Моделите на сбруи се предлагат с различни комбинации от следните характеристики:

	Фигура 1 Справка:	Описание:
Размери	S, M/L, XL	Малък, среден/голям, много голям
	Ⓑ	Размер на колана в см
Елементи на прикачването	①	Дорзален D-образен пръстен
	②	Стернален D-образен пръстен
	③	Бедрени D-образни пръстени
	④	Приставка за рамото
Катарами	⑤	Катарами за бързо свързване
	⑥	Преминаващи катарами
Регулатори	⑦	Парашутни регулатори за торса
Подложки	⑧	Подложка за колани и ханша
	⑨	Подложки за крака
Допълнителни характеристики	⑩	Отделящи се държачи на колани с автоматично връщане в изходно положение
	⑪	Управление на краищата на ремъците. (вж. Фигура 11)
	⑫	Спасителна лента
	⑬	инструмент контур

СПЕЦИФИКАЦИИ

Производителност:	
Максимална сила на спиране:	6 kN (1 349 lbf)
Капацитет:	140 kg (310 lb.)
Работна температура:	Минимална: -35 °C (-31 °F) Максимална: +57 °C (135 °F)

Материали:	
Ремъци	Полиестер - 22 kN (4 946 lbf) издръжливост на опън
Обвивки за подложки	Смес от найлон и полиестер
Обвивка на етикета	Смес от найлон и полиестер
Нишка	Полиестерна нишка върху полиестерен ремък
D-образни пръстени	Легирана стомана с издръжливост на опън - 22 kN (4 946 lbf)
Катарами за бързо свързване	Стомана, неръждаема стомана и легирана стомана издръжливост на опън - 18 kN (4 047 lbf)
Преминаващи катарами	Легирана стомана издръжливост на опън - 18 kN (4 047 lbf)
Парашутни регулатори на торса	Легирана стомана издръжливост на опън - 18 kN (4 047 lbf)

1.0 ПРИЛОЖЕНИЯ

1.1 ПРЕДНАЗНАЧЕНИЕ: Сбруите за цяло тяло трябва да се използват като компоненти в персонална система за защита от падане, предназначена да предотврати падане или безопасно да го спре (вж. Фигура 2). Сбруите за цяло тяло се използват в следните приложения:

A	Височинна защита (EN360, EN361, EN355): Персоналните системи за височинна защита обикновено включват сбруя за цяло тяло и свързваща подсистема (енергопоглъщащо осигурително въже, самонавиващо се блокиращо устройство и т.н.). Максималната сила на спиране не трябва да надвишава 6 kN (1 349 lbf). <i>Сила на закрепване:</i> Избраното закотвящо устройство трябва да издържа натоварвания от 12 kN (2 698 lbf) или по-големи.
B	Позициониране (EN358, EN813): Работните системи за позициониране обикновено включват сбруя за цяло тяло, позициониращо въже и персонална резервна система за височинна защита. За приложения с позициониране свържете подсистемата за позициониране (пример: осигурително въже, Y-образно осигурително въже и т.н.) към долната (на височината на ханша) част или с позициониращите закотвящи устройства (D-образни пръстени), монтирани на колана. Никога не използвайте тези точки на свързване за височинна защита. <i>Елементи на прикачването:</i> Фронтален, Бедрен. <i>Сила на закрепване:</i> Избраното закотвящо устройство трябва да издържа натоварвания от 12 kN (2 698 lbf) или по-големи.
C	Изкачване (EN353-1): Сбруята за цяло тяло се използва като компонент на система за катерене, за да се предотврати падането на потребителя при катерене по стълба или друга конструкция за изкачване. Системите за катерене обикновено включват сбруя за цяло тяло, вертикален кабел или релса, прикрепени към конструкцията, и ръкав за катерене. При приложения за катерене по стълби, сбруи, оборудвани с фронтален D-образен пръстен в стерналната област, могат да се използват за височинна защита на фиксирани системи за катерене по стълби. <i>Елементи на прикачването:</i> Стернално. <i>Сила на закрепване:</i> Структурата, към която е прикрепена системата за катерене, трябва да издържа необходимите натоварвания от документацията на производителя на системата за катерене.
D	Спасителни дейности (EN1496, EN1497, EN1498): Сбруята за цяло тяло се използва като компонент на спасителната система. Спасителните системи са конфигурирани в зависимост от вида спасителна дейност. За приложения с ограничен достъп (затворено пространство), сбруи, оборудвани с D-образни пръстени на раменете, могат да се използват за влизане и излизане в затворени пространства, където профилът на работника е проблематичен. <i>Елементи на прикачването:</i> Дорзален, Стернален, Фронтален, Раменен. <i>Сила на закрепване:</i> Избраното закотвящо устройство трябва да издържа натоварвания от 12 kN (2 698 lbf) или по-големи.
E	Контролирано спускане (EN341): За приложения с контролирано спускане могат да се използват сбруи за връзка със система за спускане или евакуация, оборудвани с един D-образен пръстен на стернално ниво, един или два фронтално монтирани D-образни пръстена или чифт конектори, идващи от кръста (като например примка за седане). <i>Елементи на прикачването:</i> Дорзален стернален, фронтален. <i>Сила на закрепване:</i> Избраните закотвящи устройства трябва да издържат натоварвания от 12 kN (2 698 lbf) или по-големи.
F	Обезопасяване (EN354): Сбруята за цяло тяло се използва като компонент на система за обезопасяване, за да се предотврати възможността потребителят да бъде изложен на риск от падане. Системите за обезопасяване обикновено включват сбруя за цяло тяло и обезопасително въже или ограничително въже. <i>Елементи на прикачването:</i> Дорзален, Стернален, Фронтален, Бедрен. <i>Сила на закрепване:</i> Избраното закотвящо устройство трябва да издържа натоварвания от поне 18 kN (4 047 lbf), когато въжета, включително всякакви текстилни материали или текстилни елементи на ленти, напр. Използват се въжета или ленти от синтетични влакна. Когато се използват въжета, изработени изцяло от метални елементи, закрепването трябва да поддържа натоварвания от най-малко 12 kN (2 698 lbf).

1.2 СТАНДАРТИ: Сбруите, включени в това ръководство, съответстват на стандарта (ите), посочени на корицата на тези инструкции. Ако този продукт е препродаден извън първоначалната страна на местоназначение, продавачът трябва да предостави тези инструкции на езика на държавата, в която ще се използва продуктът.

1.3 ОБУЧЕНИЕ: Потребителят и купувачът на това оборудване носят отговорност да се уверят, че са запознати с тези инструкции, обучени за правилна грижа и употреба и са наясно с експлоатационните характеристики, ограниченията за прилагане и последствията от неправилното използване на това оборудване.

1.4 ОГРАНИЧЕНИЯ: Винаги имайте предвид следните ограничения на приложенията, преди да използвате това оборудване:

- **КАПАЦИТЕТ:** Сбруята за цяло тяло е предназначена за лица с общо тегло (дрехи, инструменти и т.н.), не повече от 140 kg (309 lb.). Уверете се, че всички компоненти във вашата система са с капацитет, подходящ за приложението ви.
- **СВОБОДНО ПАДАНЕ:** Системата за аварийно спиране включва елементи или функции за поглъщане на енергия, за да се гарантира, че силите на удар върху тялото на потребителя по време на спиране на свободно падане са ограничени до максимум 6 kN (1 349 lbf). Системите за обезопасяване трябва да бъдат монтирани така, че да не е възможно вертикално свободно падане. Позициониращите системи трябва да бъдат монтирани така, че свободното падане да е ограничено до 60 cm (24 in.) или по-малко. Системите за управление на персонала трябва да бъдат монтирани така, че да не е възможно вертикално свободно падане. Спасителните системи трябва да бъдат монтирани така, че да не е възможно вертикално свободно падане. За повече информация вижте инструкциите на производителя на подсистемата.
- **КЛИРЪНС ПРИ ПАДАНЕ:** Фигура 3 илюстрира компонентите на височинната защита. Трябва да има достатъчен клирънс при падане (FC) за спиране на падането, преди потребителят да падне на земята или върху друго препятствие. Клирънсът се влияе от редица фактори, включително: (A) Дължина на обезопасителния колан, (B) Разстояние при забавяне на колана или Максимално разстояние на задържане на самонавиващото се блокиращо въже (SRD), (C) Опъване на предпазния колан и дължина и стабилизиране на D-образния пръстен/конектора (обикновено с коефициент на сигурност 0,5 m (1,6 ft.)). Консултирайте се с инструкциите, приложени към обезопасителен ремък или самонавиващото се блокиращо устройство, за да разберете какви са стойностите на клирънса при падане.
- **ПРОДЪЛЖИТЕЛНО УВЕСВАНЕ И ТРАВМА ПРИ ВИСЕНЕ:** Сбруята за цяло тяло не е предназначена за използване при приложения с продължително висене. Продължителното висене може да причини травма от висенето. Ако потребителят трябва да виси за продължителен период от време, препоръчително е да се използва някаква форма на опора за седане. 3M препоръчва дъска за седане, висяща работна седалка, примка за седане или въжена люлка. Свържете се с 3M за повече информация относно тези елементи.
- **ПРОДЪЛЖИТЕЛНО ВИСЕНЕ:** Сбруята за цяло тяло не е предназначена за използване при приложения с продължително висене. Ако потребителят трябва да виси за продължителен период от време, препоръчително е да се използва някаква форма на опора за седане. 3M препоръчва дъска за седане, висяща работна седалка, примка за седане или въжена люлка. Свържете се с 3M за повече информация относно тези елементи.
- **ОПАСНОСТИ ЗА ОКОЛНАТА СРЕДА:** Използването на това оборудване в зони с опасности за околната среда може да изисква допълнителни предпазни мерки, за да се предотврати нараняване на потребителя или повреда на оборудването. Опасностите могат да включват, но не се ограничават до; топлина, химикали, корозивни среди, електропроводи за високо напрежение, газове, движещи се машини и остри ръбове.

- **СБРУИ ЗА ВИСОКОТЕМПЕРАТУРНИ СРЕДИ:** Сбруите с ремъци Kevlar са проектирани за използване при високотемпературни среди, с ограничения: Ремъците Kevlar започват да се овъгмяват от 425 - 480 °C (800 - 900 °F). Ремъците Kevlar могат да издържат на ограничено контактно излагане на температури до 535 °C (1 000 °F). Полиестерните ремъци губят здравина при 145 - 200 °C (300 - 400 °F). PVC покритието върху металните части има точка на топене приблизително 175 °C (350 °F).

Макар че покритите с PVC и поцинковани метални части имат отлична устойчивост на корозия при химични, киселинни, алкални и атмосферни условия, често се изискват проверки. Консултирайте се с ЗМ, ако поставяте под въпрос използването на това оборудване в опасни среди.

2.0 ИЗПОЛЗВАНЕ НА СИСТЕМАТА

- 2.1 ПЛАН ЗА СПАСИТЕЛНИ ДЕЙНОСТИ:** При използването на това оборудване и свързващата(ите) подсистема(и), работодателят трябва да има спасителен план и наличните средства, за да изпълни и съобщи този план на потребителите¹, упълномощените лица² и спасителите³.
- 2.2 ЧЕСТОТА НА ПРОВЕРКИТЕ:** Сбруята за цяло тяло се проверява от потребителя преди всяка употреба и от компетентно лице⁴, различно от потребителя, на интервали от не повече от една година⁵. Процедурите по проверките са описани в „Протокол за проверка и поддръжка“ в ръководството за потребителя. Резултатите от всяка проверка от компетентно лице трябва да бъдат записани върху копия от „Протокол за проверка и поддръжка“ или да бъдат проследени със системата за радиочестотна идентификация (вж „Инспектиране“).

Когато това се изисква от ЗМ, поради сложност или изменение на оборудването; или когато са необходими критични познания за разглобяване, сглобяване или оценка на оборудването, периодичните прегледи се извършват само от ЗМ или от лица или организации, оторизирани от ЗМ.

- 2.3 СЪВМЕСТИМОСТ НА КОМПОНЕНТИТЕ:** Оборудването на ЗМ е предназначено само за компоненти и подсистеми, одобрени от ЗМ. Подмени или замени, извършени с неодобрени компоненти или подсистеми, могат да застрашат съвместимостта на оборудването и да повлияят на безопасността и надеждността на цялата система.
- 2.4 СЪВМЕСТИМОСТ НА КОНЕКТОРИТЕ:** Конекторите са съвместими със свързващите елементи, когато са проектирани да работят заедно така, че техните размери и форми да не предизвикват неволно отваряне на механизмите им за затваряне, независимо от начина, по който са ориентирани. Свържете се с ЗМ, ако имате някакви въпроси относно съвместимостта. Конекторите (куките, карабинерите и D-образните пръстени) трябва да могат да поддържат поне 22 kN (4 946 lbf). Конекторите трябва да са съвместими с крепежните елементи или другите компоненти на системата. Не използвайте оборудване, което не е съвместимо. Несъвместимите конектори може неволно да се освободят (вижте Фигура 5). Конекторите трябва да са съвместими по размер, форма и сила. Ако свързващият елемент, към който е прикрепена куката (показана) или карабинера, е с по-малък размер или с неправилна форма, може да възникне ситуация, при която свързващият елемент прилага сила към муфата на обезопасената кука или карабинера. Тази сила може да доведе до отваряне на муфата, като позволи на обезопасената кука или карабинера да се освободят от точката на свързване. Необходими са samozаклучващи се обезопасени куки и карабинери.
- 2.5 СЪЗДАВАНЕ НА ВРЪЗКИ:** Използвайте само samozаклучващи се обезопасени куки и карабинери с това оборудване. Използвайте само конектори, които са подходящи за всяко приложение. Уверете се, че всички връзки са съвместими по размер, форма и сила. Не използвайте оборудване, което не е съвместимо. Уверете се, че всички конектори са напълно затворени и заключени. ЗМ конекторите (обезопасени куки и карабинери) са предназначени да се използват само според инструкциите на потребителя. Вижте Фигура 6 за неподходящи връзки. Обезопасените куки и карабинери на ЗМ не трябва да се свързват:
- A. Към D-образен пръстен с прикрепен друг конектор.
 - B. По начин, който би довел до натоварване на муфата.
 - C. С фалшиво свързване, където части, които се подават от куката или карабинера се захващат върху анкера и без визуално потвърждение изглежда, че са напълно свързани с точката на закрепване.
 - D. Един към друг.
 - E. Директно към ремъците или обезопасителното въже или обтяжката (освен ако инструкциите на производителя за обезопасителното въже и конектора изрично не позволяват такава връзка).
 - F. Към всеки обект, който е оформен или оразмерен така, че обезопасената кука или карабинерът да не се затварят и заключват или да се появяват навиване.
 - G. По начин, който не позволява конекторът да се подравнява правилно, докато е натоварен.
- 2.6 СВЪРЗВАЩИ ПОДСИСТЕМИ:** Свързващите подсистеми (самонавиваща се блокаторна линия, обезопасителни въжета, въжен захващач и въжета за спускане, кабелни ръкави и т.н.) трябва да са подходящи за вашето приложение (вж. Раздел 1.1). Вижте допълнителните указания на производителя на подсистемата. Някои модели сбруи имат точки за свързване с ремъчни примки. Не използвайте обезопасени куки, за да се свържете с ремъчни примки. Използвайте samozаклучващ се карабинер, за да се свържете с ремъчната примка. Уверете се, че карабинерът не може да пресича товара (натоварване срещу муфата, а не по протежение на основната ос на карабинера). Някои обезопасителни въжета са предназначени да се поставят в ремъчната примка, за да осигурят съвместима връзка. Обезопасителните въжета могат да бъдат защити директно в ремъчната примка, като се създава постоянна връзка. Не правете множество връзки в една ремъчна примка, освен ако не се поставят две въжета върху правилно оразмерена ремъчна примка. За да поставите въжето върху ремъчна примка (Фигура 7): А) Прекарайте ремъчната примка на въжето през ремъчната примка или D-образния пръстен на сбруята. В) Поставете подходящия край на обезопасителното въже през ремъчната примка на въжето. В) Издърпайте въжето през свързващата примка, за да го обезопасите.
- 2.7 ПРИКАЧВАНЕ НА ОБЕЗОПАСИТЕЛНО ВЪЖЕ:** Фигура 8 илюстрира прикачване на обезопасително въже. Устройството за прикачване на обезопасителното въже е предназначено за закрепване на свободния край на въже или сбруя, монтирани на самонавиващото се блокиращо устройство, когато не са свързани със заковлящата точка на свързване за целите на защитата при падане. Прикрепящите елементи за прикачване на обезопасителни въжета никога не трябва да се използват като елемент за закрепване на сбруята за свързване на въже или самонавиващо се блокиращо устройство (А).
- Когато не е свързано към заковляща точка за свързване, несвързаното краче на обезопасителното въже трябва да бъде правилно прикачено върху сбруята (В) или да бъде закрепено в ръката на потребителя, както при приложенията за 100% отклонение (Tie-Off) (С). Свободните висящи крачета на обезопасителното въже (D) могат да препънат потребителя или да се захванат за околни предмети, което да доведе до падане.

1 Потребител: Лице, което извършва дейности на височини, докато е защитено от персонална система за защита от падане.

2 Упълномощено лице: Лице, назначено от работодателя да изпълнява задълженията си на място, където ще бъде изложено на риск от падане.

3 Спасител: Лице или лица, различни от тези които се спасяват, които изпълняват подпомогната спасителна дейност чрез спасителна система.

4 Компетентно лице: Човек, който е способен да идентифицира съществуващи и предсказуеми опасности в околностите или работните условия, които са нехигиенични, рискови или опасни за служителите и има разрешение да предприеме бързи корективни мерки за тяхното премахване.

5 Честота на проверки: Екстремните работни условия (тежки условия, продължителна употреба и др.) може да изискват увеличаване на честотата на проверките от страна на компетентните лица.

3.0 УПОТРЕБА НА СБРУИТЕ

3.1 ПРЕДИ ВСЯКА УПОТРЕБА на това оборудване, инспектирайте го в съответствие с „Протокол за проверка и поддръжка“ (Таблица 1).

3.2 ПЛАНИРАЙТЕ вашата система преди употреба. Отчетете всички фактори, които ще повлияят на вашата безопасност по време на използването на това оборудване. Следният списък дава важни моменти, които трябва да имате предвид при планирането на системата:

- **Закотвящи устройства:** Изберете закотвящо устройство, което е в състояние да издържа на изискванията за статично натоварване на предвиденото приложение за защита от падане (вж. Раздел 1.1). Мястото на закотвящото устройство трябва да е съобразено със свободното падане, клирънса на падането, падането със завъртане и ограниченията за околната среда, описани в раздел 1.4.
- **Остри ръбове:** Избягвайте работа, където системните компоненти може да са в контакт или да се търкат в незащитени остри ръбове.
- **След падането:** Компонентите, които са били подложени на силите за спиране на падането, трябва да бъдат извадени от експлоатация и унищожени.
- **Спасителна дейност:** Работодателят трябва да има план за спасителни дейности при използване на това оборудване. Работодателят трябва да има способността да извършва спасителна дейност бързо и безопасно.
- **Спасителни сбруи:** Спасителните сбруи (EN1497) са предназначени да се носят при нормални работни дейности. Преди да използва елементите на спасителните приспособления за първи път, потребителят трябва да направи тест за окачване в безопасни условия, за да си гарантира, че сбруята е оразмерена и монтирана за оптимален комфорт по време на увисването.
- **Позициониране при работа:** Винаги, когато използвате система за позициониране при работа, обмисляйте дали има нужда от допълнителна лична защита от падане (например система за предотвратяване на падания). Винаги използвайте точка за закрепване, разположена на или над нивото на талията.

3.3 КАТАРАМИ: Сбруите за цяло тяло са оборудвани с различни катарами за закрепване и регулиране на ремъците за крака и ремъците за гърдите. Коланите за тялото на сбруите имат катарама с езиче. Вижте Фигура 1 за типовете катарами на вашата сбруя. Фигура 9 илюстрира работата на всяка от следните катарами:

1. Катарами за бързо свързване:

- А. За да закрепите катарамата за бързо свързване, поставете халката в приемника, докато се чуе щракване.
- В. За да регулирате приложения текстилен ремък: Издърпайте текстилния ремък напред или назад през отвора на катарамата, за да го затегнете или разхлабите.
- С. За да освободите катарамата за бързо свързване: Стиснете лостовете за заключване от двете страни на приемника. Издърпайте халката от приемника.

2. Преминаващи катарами:

- А. Вмъкнете мъжката катарама през гнездото в женската катарама.
- В. Затегнете свободния ремък, така че мъжката катарама да се изравни с женската катарама. Закрепете свободния ремък в държача на ремъка.

3.4 КОРЕКЦИИ: Сбруите са оборудвани с чифт регулатори според торса за настройване на раменните ремъци. Фигура 10 илюстрира настройката на регулаторите на торса:

1. Парашутни регулатори на торса:

- А. Издърпайте свободния ремък, за да затегнете раменния ремък. За да разхлабите раменния ремък, издърпайте свободния ремък и след това прекарайте обратно ремъка през парашутния регулатор.
- В. Когато е правилно настроен, закрепете свободния ремък в държача на ремъка.

Ако е налице управление на велкро мрежата (вижте фигура 11), завъртете обратно безплатната лента до стегнато (А), свържете лентите с велкро обратно върху лентата и закрепете лентите (В). Уверете се, че ролката е стегната и държачът на лентата е преместен близо до ролката (С).

3.5 ПОСТАВЯНЕ И НАПАСВАНЕ НА СБРУЯТА ЗА ЦЯЛО ТЯЛО: Фигура 13 илюстрира поставянето и напасването на сбруята за цяло тяло. Преди всяко използване, проверете сбруята от списъка за проверка в „Протокол за проверка и поддръжка (таблица 1)“. За да поставите и нагласите сбруята:

Процедурите за закопчаване и регулиране на ремъците на вашата сбруя ще се променят според нейния модел. Вижте раздели 3.3 до 3.4 и фигури 9 до 10 за подробности.

1. Повдигнете и задръжте сбруята за задния D-образен пръстен. Уверете се, че ремъците не са усукани.
2. Хванете раменните ремъци и плъзнете сбруята върху едната ръка. Дорзалният D-образен пръстен ще се намира от задната ви страна. Уверете се, че ремъците не са заплетени и се движат свободно. Плъзнете свободната си ръка в сбруята и поставете раменните ремъци върху раменете си. Гръдният ремък и катарама ще бъдат поставени на предната страна, когато се носят правилно.
3. Докоснете краката си и хванете ремъка за крака от дясната страна. Преместете ремъка нагоре между краката си; закопчайте катарамата на дясното бедро и регулирайте ремъка за крака за удобно прилягане (вижте раздел 3.3 за работа с катарами). Когато е правилно регулиран, приберете свободния край на ремъка за крака под държача на ремъка.
Повторете този процес, за да захванете и регулирате левия ремък за крака.
4. Настройте и закопчайте колана за кръста с катарамата с езиче, ако има такъв. (вижте раздел 3.3 за работа с катарама с езиче).
5. Закопчайте и регулирайте гръдния ремък (вижте раздел 3.3 за работа с катарами). Гръдният ремък трябва да е на 15 cm (6 in) надолу от горната част на раменете ви. Когато е правилно регулиран, поставете свободния край на гръдния ремък под държача на ремъка.

6. Нагласете раменните ремъци за плътно прилепване с помощта на регулаторите за торса (вижте раздел 3.4 за работа с регулатори за торса). Лявата и дясната страна на раменните ремъци трябва да бъдат нагласени на една и съща дължина, а гръдният ремък трябва да е центриран на долната част на гърдите, на 15 cm (6 in) под раменете. Задният дорзален D-образен пръстен трябва да е центриран между раменните ви лопатки. Предният стернал D-образен пръстен, ако има такъв, трябва да се намира странично в рамките на 5 cm (2 in) от вертикалната централна линия на сбруята.

Редовно проверявайте елементи за закрепване и настройка по време на употреба.

3.6 ИЗПОЛЗВАНЕ НА D-ОБРАЗЕН ПРЪСТЕН ЗА ВИСОЧИННА ЗАЩИТА ИЛИ ЕЛЕМЕНТ ЗА ПРИКРЕПВАНЕ:

Анкерните точки за арестуването на есента са маркирани с главна буква "А". За приложения за височинна защита, свържете дорзалния D-образен пръстен или елемента за прикрепяне на гърба между лопатките на раменете, или Предният стернал D-образен пръстен прикрепващ елемент на гърдите. Страничните D-образни пръстени, ако има такива, са само за приложения за позициониране или обезопасяване. Раменните приставки са само за приложения за спасяване или изтегляне. Предният стернал D-образен пръстен е предназначен за катерене по стълби или позициониране. D-образните пръстени на висящата седалка са само за приложения за висене или позициониране. (Вижте раздел 1.1.).

3.7 СЪЗДАВАНЕ НА ВРЪЗКИ: Когато използвате кука за свързване към закотвяща точка или когато свързвате компоненти на системата заедно, уверете се, че не може да се получи преобръщане. Преобръщане се получава, когато взаимодействието между куката и конектора за свързване предизвиква неволно отваряне и освобождаване на муфата на куката. Самозаклучващите се куки и карабинерите трябва да се използват, за да се намали възможността за преобръщане. Не използвайте куки или конектори, които не се затварят напълно върху премет за прикачване. За повече информация относно свързването, вижте инструкциите на производителя на подсистемата.

3.8 СВЪРЗВАНЕ НА КОМПОНЕНТИТЕ НА СИСТЕМАТА: След поставянето на сбруята, потребителят може да се свърже с други компоненти на системата. Изпълнете указанията в раздел 2 и инструкциите на производителя, включени в компонента.

4.0 ПРОВЕРКА

4.1 ЧЕСТОТА НА ПРОВЕРКИТЕ: Сбруята за цяло тяло трябва да бъде проверявана на интервали, определени в раздел 2.2. Процедурите по проверката са описани в „Протокол за проверка и поддръжка“ (таблица 1).

4.2 ДЕФЕКТИ: Ако проверката разкрие дефектно състояние, незабавно извадете сбруята от експлоатация и я унищожете.

4.3 ГОДНОСТ НА ПРОДУКТА: Функционалният живот на сбруите се определя от условията на работа и поддръжка. Максималната годност може да продължи от 1 година, при интензивна употреба, до 10 години при по-леки натоварвания. Докато продуктът отговаря на изискванията при проверка, той може да остане в експлоатация, максимум 10 години.

5.0 ПОДДРЪЖКА, СЕРВИЗ, СЪХРАНЕНИЕ И ТРАНСПОРТ

Не почиствайте и не дезинфекцирайте продукта, прилагайки метод, различен от описания в указанията за почистване по-долу. Другите методи е възможно да се отразят неблагоприятно на продукта или на потребителя.

5.1 ПОЧИСТВАНЕ: Предпазните колани за цялото тяло 3M трябва да се почистват съгласно указанията на 3M. За да почистите предпазния колан, го измийте с мек препарат без белина, след което изплакнете. След това коланът трябва да се закачи, за да изсъхне на въздух. Температурата на водата за почистване и въздуха, използван за сушене, не трябва да надхвърля 130°F (54,4°C). За допълнителна информация, моля, вижте техническите указания на нашия уебсайт: <http://www.3M.com/FallProtection/WebCleaning>

За въпроси относно процедурите за почистване, моля, свържете се с Техническия сервиз на 3M.


5.2 УСЛУГИ: Раменно-бедрените колани за цяло тяло не подлежат на поправка. Ако раменно-бедреният колан е бил подложен на сила вследствие на падане или ако проверка разкрие небезопасно или дефектно състояние, незабавно извадете раменно-бедрения колан от експлоатация и го унищожете.

5.3 СЪХРАНЕНИЕ И ТРАНСПОРТ: Съхранявайте и транспортирайте сбруята за цяло тяло в студена, суха и чиста среда извън пряка слънчева светлина. Избягвайте места, където могат да съществуват химически изпарения. След продължително съхранение проверявайте внимателно сбруята.

6.0 ЕТИКЕТИРАНЕ

Фигура 14 илюстрира етикетите на продуктите и тяхното местоположение върху сбруята за цяло тяло. Цялото етикетирание трябва да присъства и да е напълно четливо.

Информацията за всеки етикет е, както следва:

1	(A) Котвена точка за спиране на падането, маркирана с главна буква "А" (B) Местоположение на етикета
2	(A) Протокол за проверка (B) Серийен номер (C) Първоначална (D) Дата (E) Не премахвайте този етикет.
3	(A) Потребителски информационен етикет
4	(A) Серийен номер (B) Месец на производство (C) Година на производство (D) Номер на партидата (E) Номер на модела (F) Европейски стандарт (G) Капацитет (H) Размер (I)  Вижте инструкциите (J) CE знак (K) Номер на орган за уведомяване, който извършва проверка за съответствие с типа (L) Размер на колана

Před zahájením používání tohoto celotělového postroje si prosím přečtěte, pochopte a dodržujte veškeré bezpečnostní informace obsažené v této příručce. V OPAČNÉM PŘÍPADĚ MŮŽE DOJÍT K VÁŽNÉMU ÚRAZU ČI ÚMRTÍ.

Tyto pokyny musejí být předány uživateli tohoto zařízení. Nechte si tyto instrukce pro budoucí nahlédnutí.

Zamýšlené použití:

Tento celotělový postroj je určen pro použití jako součást kompletního systému pro ochranu osob proti pádu.

Jiné použití, mimo jiné včetně manipulace s materiálem, rekreačních činností nebo činností souvisejících se sportem nebo jiných činností, které nejsou popsány v uživatelské příručce, není schváleno společností 3M a může mít za následek vážný úraz či úmrtí.

Toto zařízení mohou používat pouze vyškolení uživatelé na pracovišti.

VAROVÁNÍ:

Tento celotělový postroj je součástí systému na ochranu osob proti pádu. Očekává se, že všichni uživatelé budou řádně zaškoleni ohledně bezpečné instalace a provozu jejich systému pro ochranu osob proti pádu. **Nesprávné použití tohoto zařízení může mít za následek vážný úraz či úmrtí.** Pro správný výběr, provoz, instalaci, údržbu a servis nahlédněte do této uživatelské příručky a všech doporučení výrobce, obraťte se na svého nadřízeného nebo kontaktujte technický servis 3M.

- **Pro snížení rizik spojených s prací s tímto celotělovým postrojem, která mohou mít, pokud jim nezabráníte, za následek vážný úraz či úmrtí:**
 - Zařízení před každým použitím (alespoň jednou ročně) a po každém pádu zkontrolujte. Při kontrole postupujte podle uživatelské příručky.
 - Pokud kontrola odhalí nebezpečný nebo závadný stav, zařízení vyřadte z provozu a zlikvidujte.
 - Zařízení, které bylo vystaveno jištění proti pádu nebo síle způsobené pádem, musí být okamžitě vyřazeno z provozu a zlikvidováno.
 - Ujistěte se, že je postroj správně nasazen, má správnou velikost a je správně nastaven.
 - Ujistěte se, že jsou všechny připojené subsystemy (např. bezpečnostní lana) stranou od všech překážek, například mimo dosah ostatních pracovníků, vás, pohybujících se strojů nebo zařízení a okolních předmětů.
 - Zajistěte, aby systémy/subsystemy proti pádu sestavené ze součástí vyrobených různými výrobci, byly kompatibilní a splňovaly požadavky platných norem, včetně ANSI Z359 nebo jiných platných předpisů, norem nebo požadavků na ochranu proti pádu. Před použitím těchto systémů se vždy poraďte s kompetentní nebo oprávněnou osobou.
- **Pro snížení rizik spojených s prací ve výškách, která mohou mít, pokud jim nezabráníte, za následek vážný úraz či úmrtí:**
 - Ujistěte se, že vám váš zdravotní stav a fyzická kondice umožňují bezpečně vydržet veškerou námahu spojenou s prací ve výškách. Pokud máte nějaké dotazy týkající se vaší schopnosti používat toto zařízení, poraďte se se svým lékařem.
 - Nikdy nepřekračujte přípustnou kapacitu vašeho záchytného zařízení.
 - Nikdy nepřekračujte maximální délku volného pádu vašeho záchytného zařízení.
 - Nepoužívejte záchytná zařízení, která neprojdou kontrolou před použitím nebo jinou naplánovanou kontrolou, nebo pokud máte obavy ohledně vhodnosti zařízení pro vaše použití. S případnými dotazy kontaktujte technický servis 3M.
 - Některé kombinace subsystemů a součástí mohou narušovat provoz tohoto zařízení. Používejte pouze kompatibilní připojení. Pokud chcete toto vybavení používat v kombinaci s jinými součástmi nebo subsystemy, než které jsou popsány v této příručce, obraťte se na společnost 3M.
 - Buďte zvláště opatrní při práci u pohybujících se strojů (např. horní pohon vrtných plošin), v prostředí s nebezpečím úrazu elektrickým proudem, s extrémními teplotami, chemickým nebezpečím, výbušnými nebo toxickými plyny, ostrými hranami nebo pod stropními materiály, které by mohly spadnout na vás nebo vaše záchytné zařízení.
 - Při práci v prostředí s vysokými teplotami použijte zařízení proti obloukovému výboji a pro práci za tepla.
 - Vyhněte se povrchům a předmětům, které mohou poranit uživatele nebo poškodit zařízení.
 - Při práci ve výškách zajistěte dostatečnou délku pádu.
 - Nikdy své záchytné zařízení neupravujte ani neměňte. Opravy tohoto zařízení může provádět pouze společnost 3M nebo třetí strany s písemným oprávněním společnosti 3M.
 - Před použitím záchytného zařízení se ujistěte, že je zaveden záchranný plán, který umožňuje rychlou záchranu, pokud dojde k pádu.
 - Pokud dojde k pádu, okamžitě zajistěte pracovníkovi, který spadl, lékařskou pomoc.
 - K jištění proti pádu nepoužívejte pás na tělo. Používejte pouze celotělový postroj.
 - Minimalizujte riziko výkyvu při pádu tím, že budete pracovat co nejbližší kotevnímu bodu.
 - Při školení ohledně tohoto zařízení musí být použit sekundární systém zajištění proti pádu, a to takovým způsobem, který školeného pracovníka nevystaví nežádoucímu nebezpečí pádu.
 - Při instalaci, používání nebo kontrole zařízení/systému vždy noste vhodné osobní ochranné pomůcky.

Před prvním použitím tohoto zařízení si poznamenejte výrobní identifikační údaje z identifikačního štítku do „deníku kontrol a údržby“ v příloze k této příručce.

Vždy používejte nejnovější verzi uživatelské příručky 3M. Chcete-li získat aktuální uživatelské příručky, navštivte webové stránky společnosti 3M nebo se obraťte na technickou podporu společnosti 3M.

POPIS

Obrázek 1 popisuje dostupné modely celotělových postrojů 3M™ Protecta®. Modely postrojů jsou k dostání ve čtyřech velikostech s různými kombinacemi následujících prvků:

	Označení na obr. 1:	Popis:
Velikosti	S, M/L, XL	S, M/L, XL
	Ⓑ	Velikost tělesného pásu v cm
Přípojné prvky	①	Zádový úchyt ve tvaru D
	②	Hrudní úchyt ve tvaru D
	③	Boční úchyty ve tvaru D
	④	Ramenní úchyty
Spony	⑤	Rychloupínací přezky
	⑥	Provlékač přezky
Polohovací zařízení	⑦	Padákové nastavovací prvky
Chrániče	⑧	Opasková a boční vložka
	⑨	Chránič nohou
Další prvky	⑩	Odnímatelné kapsy na bezpečnostní lano
	⑪	Organizér konce pásu (viz obrázek 11)
	⑫	Záchranný popruh
	⑬	Nástrojová smyčka

TECHNICKÉ PARAMETRY

Výkon:	
Maximální záchytná síla	6 kN (1 349 lbf)
Nosnost	140 kg (310 lb.)
Pracovní teplotní rozsah:	Minimum: -35 °C (-31 °F) Maximum: 57 °C (135 °F)

Materiály:	
Popruh	Polyester – pevnost v tahu 22 kN (4 946 lbf)
Potahy vložek	Směs nylonu a polyesteru
Potah štítku	Směs nylonu a polyesteru
Vlákno	Polyesterové vlákno na polyesterovém popruhu
Úchyty ve tvaru D	Slitina železa – pevnost v tahu 22 kN (4 946 lbf)
Rychloupínací přezky	Železo, nerezavějící ocel a slitina hliníku – pevnost v tahu 18 kN (4 047 lbf)
Provlékač přezky	Slitina hliníku – pevnost v tahu 18 kN (4 047 lbf)
Padákové nastavovací prvky	Slitina železa – pevnost v tahu 18 kN (4 047 lbf)

1.0 POUŽITÍ

1.1 ÚČEL: Celotělové postroje se používají jako součást osobní ochrany proti pádu navržené pro prevenci pádu nebo jištění v případě pádu (viz obrázek 2). Celotělové postroje se používají v následujících případech:

A	Jištění proti pádu (EN360, EN361, EN355): Ochranné prostředky proti pádu se obvykle skládají z celotělového postroje a připojovacího subsystému (bezpečnostní lano pohlcující energii, samonavíjecí zařízení atd.). Maximální záchytná síla nesmí překročit 6 kN (1 349 lbf). <i>Síla kotvícího systému:</i> Zvolený kotvící systém musí odolat zatížení 12 kN (2 698 lbf) nebo vyššímu.
B	Pracovní polohovací zařízení (EN358, EN813): Pracovní polohovací systémy se obvykle skládají z celotělového postroje, polohovacího záchytného lana a záložního systému jištění proti pádu. V případě použití pracovního polohování připojte subsystém pracovního polohování (například bezpečnostní lano, bezpečnostní lano se dvěma rameny atd.) ke spodnímu (úroveň boků) bočnímu kotvícímu prvku nebo kotvícímu prvku připevněnému k opasku (úchyt ve tvaru D). Přípojně body nikdy nepoužívejte k jištění proti pádu. <i>Přípojně prvky:</i> Přední, na boku. <i>Síla kotvícího systému:</i> Zvolený kotvící systém musí odolat zatížení 12 kN (2 698 lbf) nebo vyššímu.
C	Lezení (EN353-1): Celotělový postroj se používá jako součást lezecké výbavy pro prevenci pádu uživatele při lezení po žebříku nebo jiné konstrukci. Lezecká výbava se obvykle skládá z celotělového postroje, vertikálního lana nebo kolejnice připevněné ke konstrukci a lezecké pojistky. V případě použití pro lezení po žebříku je možné použít postroje vybavené předním úchytem ve tvaru D v oblasti hrudi pro jištění proti pádu na lezecké konstrukci s pevným žebříkem. <i>Přípojně prvky:</i> Hrudní. <i>Síla kotvícího systému:</i> Konstrukce, ke které je lezecká výbava připevněna, musí odolat zátěži, kterou požaduje dokumentace výrobce lezecké výbavy.
D	Záchrana (EN1496, EN1497, EN1498): Celotělový postroj se používá jako součást vytažovacího systému. Konfigurace vytažovacích systémů probíhá v závislosti na typu záchrany. V případě omezeného přístupu (omezený prostor) je možné použít postroj vybavený ramenními úchyty ve tvaru D pro vstup do omezených prostor a výstup z omezených prostor tam, kde je profil pracovníka problémem. <i>Přípojně prvky:</i> Zádové, hrudní, přední, ramenní. <i>Síla kotvícího systému:</i> Zvolený kotvící systém musí odolat zatížení 12 kN (2 698 lbf) nebo vyššímu.
E	Řízený sestup (EN341): U řízeného sestupu je pro připojení k vybavení pro sestup či evakuaci možné použít postroje vybavené jedním hrudním úchytem ve tvaru D, jedním nebo dvěma předními úchyty ve tvaru D nebo dvojicí spojky vycházejících z úrovně pod pasem (například sedací postroj). <i>Přípojně prvky:</i> Zádové, hrudní, přední. <i>Síla kotvícího systému:</i> Zvolené kotvící systémy musí odolat zatížení 12 kN (2 698 lbf) nebo vyššímu.
F	Přidržovací systém (EN354): Celotělový postroj se používá jako součást přidržovacího systému, aby nedovolil vystavit uživatele nebezpečí pádu. Přidržovací systémy se obvykle skládají z celotělového postroje a bezpečnostního nebo přidržovacího lana. <i>Přípojně prvky:</i> Zádové, hrudní, přední, na bocích. <i>Síla kotvícího systému:</i> Zvolený kotvící systém musí odolat zatížení nejméně 18 kN (4 047 lbf), když jsou k dispozici šňůry obsahující textilní materiál nebo textilní šňůrky, např. lana nebo popruhy ze syntetických vláken. Pokud se použijí šňůry vyrobené výhradně z kovových prvků, musí úchyt udržovat zatížení nejméně 12 kN (2 698 lbf).

1.2 NORMY: Postroje obsažené v tomto návodu splňují normy uvedené na přední straně návodu. Pokud bude tento produkt prodáván mimo původní cílovou zemi, pak prodejce musí tuto příručku poskytnout v jazykové verzi země, ve které se bude produkt používat.

1.3 ŠKOLENÍ: Uživatelé a kupující jsou odpovědní za zajištění toho, že budou obeznámeni s těmito pokyny, vyškoleni ve správné údržbě a používání tohoto zařízení a budou znát provozní vlastnosti, omezení pro použití a následky nesprávného používání tohoto zařízení.

1.4 OMEZENÍ: Před použitím tohoto vybavení je vždy nutné zvážit následující omezení:

- **NOSNOST:** Celotělový postroj je určen pro použití osobami s celkovou hmotností (včetně oblečení, nástrojů atd.) do 140 kg (309 lb.). Ujistěte se, že všechny součásti vašeho systému jsou dimenzované na kapacitu odpovídající danému použití.
- **VOLNÝ PÁD:** Systém zadržování pádu musí obsahovat prvky nebo funkce absorbující energii, aby zajistil, že nárazové síly na těle uživatele při zatčení volného pádu jsou omezeny na maximum 6 kN (1 349 lbf). Přidržovací systémy musí být nastaveny tak, aby neumožňovaly žádný volný pád. Systémy pracovního polohování musí být nastaveny tak, aby byl volný pád omezen na maximálně 60 cm (24 in.) nebo méně. Osobní pojezdové systémy musí být nastaveny tak, aby neumožňovaly žádný volný pád. Vytažovací systémy musí být nastaveny tak, aby neumožňovaly žádný volný pád. Více informací naleznete v pokynech výrobce subsystému.
- **DÉLKA PÁDU:** Obrázek 3 znázorňuje součásti jištění proti pádu. K jištění proti pádu musí být k dispozici dostatečná délka pádu, než uživatel narazí do země nebo jiné překážky. Délku pádu ovlivňuje řada faktorů, jako například: (A) délka bezpečnostního lana, (B) zpomalovací vzdálenost bezpečnostního lana nebo maximální délka jištění samonavíjecího záchytného zařízení, (C) natažení postroje a délka ustavení úchyty ve tvaru D / spojky (obvykle bezpečnostní faktor 0,5 m (1,6 ft.)). Konkrétní informace o výpočtu délky pádu naleznete v návodu k bezpečnostnímu lanu nebo samonavíjecímu záchytnému zařízení.
- **VÝKYV PŘI PÁDU:** Pokud není kotvící bod přímo nad místem, kde dojde k pádu, mohou při pádu nastat výkyvy (viz obrázek 4). Síla nárazu po výkyvu při pádu může způsobit těžká nebo smrtelná zranění. Minimalizujte riziko výkyvu při pádu tím, že budete pracovat co nejbližší kotevnímu bodu. Zabraňte riziku výkyvu při pádu, pokud by mohlo dojít k úrazu. Výkyv při pádu výrazně zvyšuje potřebnou délku pádu při použití samonavíjecího zařízení nebo jiného přípojněho subsystému s variabilní délkou.
- **DLOUHODOBÝ VIS A TRAUMA Z VISU V POSTROJI:** Celotělový postroj není určen pro použití při dlouhodobém zavěšení. Následkem dlouhodobého visu může nastat trauma z visu v postroji. Pokud uživatel bude zavěšen po delší dobu, doporučuje se použít sedák nebo jinou sedací oporu. Společnost 3M doporučuje použití sedací desky, závěsného pracovního sedáku nebo stoličky pro lodnímistra. Více informací o těchto pomůckách vám poskytne společnost 3M.
- **NEBEZPEČÍ VYPLÝVAJÍCÍ Z PROSTŘEDÍ:** Používání tohoto vybavení v nebezpečném prostředí si možná vyžádá další předběžná opatření, aby nedošlo k úrazu uživatele nebo poškození vybavení. Nebezpečí může být zejména způsobeno působením tepla, chemikálií, korozivních prostředí, vedení vysokého napětí, plynů, pohybujícího se strojního zařízení nebo hran.
- **POSTROJE PRO PROSTŘEDÍ S VYSOKOU TEPLOTOU:** Pro použití v prostředí s vysokou teplotou jsou určeny postroje s kevlarovými popruhy s následujícím omezením: Kevlarové popruhy se začínají pálit při teplotě 425 - 480 °C (800 - 900 °F). Kevlarové popruhy dokáží odolat omezenému kontaktu s teplotou až 535 °C (1 000 °F). Polyesterové popruhy ztrácí pevnost při 145 - 200 °C (300 - 400 °F). Potah z PVC na pevných dílech má bod tání zhruba 175 °C (350 °F).

Přestože pevné pozinkované díly s vrstvou PVC vykazují výbornou odolnost proti korozi v chemickém, kyselém i zásaditém prostředí a také odolnost vůči povětrnostním vlivům, mohou být nutné časté kontroly. V případě pochybností o použití tohoto vybavení v nebezpečném prostředí se obraťte na společnost 3M.

2.0 POUŽITÍ SYSTÉMU

- 2.1 ZÁCHRANNÝ PLÁN:** Při používání tohoto zařízení a připojených subsystémů musí mít zaměstnavatel k dispozici záchranný plán a prostředky pro jeho realizaci a seznámit s ním uživatele¹, oprávněné osoby² a záchranáře³.
- 2.2 ČETNOST KONTROL:** Celotělový postroj musí být uživatelem zkontrolován před každým použitím, a kromě toho kompetentní osobou⁴, jíž nesmí být jeho uživatel, v intervalech maximálně jednoho roku⁵. Kontrolní postupy jsou popsány v části uživatelské příručky „Deník kontrol a údržby“. Výsledky každé kontroly provedené kompetentní osobou musí být zaznamenány v kopiích „Deníku kontrol a údržby“ nebo sledovány pomocí systému radiofrekvenční identifikace (viz část „Kontrola“).

Pokud to vyžaduje společnost 3M vzhledem ke složitosti nebo inovaci vybavení nebo pokud je k demontáži, opětovné montáži nebo posudku vybavení nutné mít nezbytné znalosti, pravidelnou kontrolu bude provádět pouze společnost 3M nebo osoby či organizace s oprávněním společnosti 3M.

- 2.3 KOMPATIBILITA SOUČÁSTÍ:** Zařízení 3M jsou určena k používání výhradně se součástmi a subsystémy schválenými společností 3M. Záměny a náhrady za použití neschválených prvků a dílčích systémů mohou ohrozit kompatibilitu zařízení a případně též nepříznivě ovlivnit bezpečnost a spolehlivost celého systému.
- 2.4 KOMPATIBILITA SPOJEK:** Spojky jsou kompatibilní se spojovacími prvky, pokud byly navrženy ke společné funkci tak, aby jejich rozměry a tvary nezpůsobovaly, že se jejich uzavírací ústrojí budou náhodně otevírat bez ohledu na to, jakým směrem jsou orientována. V případě dotazů o kompatibilitě se obraťte na společnost 3M. Spojky (háčky, karabiny a úchyty tvaru D) musí být schopné odolat zatížení alespoň 22 kN (4 946 lbf). Spojky musí být kompatibilní s kotvením a dalšími součástmi systému. Nepoužívejte žádná nekompatibilní zařízení. Nekompatibilní spojky se mohou nechtěně rozpojit (viz obrázek 5). Spojky musejí být kompatibilní co do velikosti, tvaru a pevnosti. Pokud je spojovací prvek, na který se připojuje karabina, poddimenzovaný nebo má nesprávný tvar, může nastat situace, kdy spojovací prvek vyvine sílu na zámek karabiny. Tato síla může způsobit, že se zámek otevře a umožní karabině uvolnit se z přípojného bodu. Samojistící háčky s pojistným perem a karabiny jsou nezbytné.
- 2.5 SPOJOVÁNÍ:** Karabiny používané s tímto zařízením musí mít pojistku. Používejte pouze spojky vhodné pro danou aplikaci. Ujistěte se, že jsou všechny spojky kompatibilní velikosti, tvaru a síly. Nepoužívejte žádná nekompatibilní zařízení. Ujistěte se, že jsou všechny spojky zcela uzavřeny a uzamčeny.

Spojky 3M (háčky s pojistným perem a karabiny) jsou navrženy pro používání pouze způsobem, který je uveden v uživatelských příručkách k jednotlivým výrobkům. Na obrázku 6 jsou uvedeny příklady chybných připojení. Háčky a karabiny 3M nepřipojujte:

- A. K úchytům ve tvaru D, ke kterým je připojena další spojka;
- B. Způsobem, který by vedl k zatížení zámku;
- C. U chybného zapojení, kde se prvky vyčnívající z karabiny zachycují na ukotvení a které bez vizuální kontroly vypadá jako plně připojené ke kotvicímu bodu;
- D. Navzájem mezi sebou;
- E. Přímou na popruh nebo lanovou smyčku se zkracovačem či na zádový úvazek (pokud pokyny výrobce pro lano i pro spojku konkrétně takové spojení nedovolují);
- F. K žádnému předmětu, který je tvarován nebo dimenzován tak, aby se hák nebo karabina neuzavřela a neuzamkla nebo aby mohlo dojít k uvolnění;
- G. Způsobem, který neumožňuje správný pohyb spojky při zatížení.

- 2.6 SPOJOVACÍ SUBSYSTÉMY:** Spojovací subsystémy (samonavíjecí záchytné zařízení, bezpečnostní lano, zachytávač lana a záchytné lano, lanová pojistka atd.) musí být vhodné pro daný způsob použití (viz kapitolu 1.1). Více informací naleznete v pokynech výrobce subsystému. Některé modely postrojů mají popruhy s přípojnými oky. K připojení k okům na popruzích nepoužívejte karabiny bez pojistky. K připojení k oku na popruhu použijte karabinu s pojistkou. Ujistěte se, že nemůže dojít k zatížení zámku karabiny (zatížení zámku spíše než hlavní osy karabiny). Některá bezpečnostní lana jsou navržena k připevnění na oku popruhu pro vytvoření kompatibilního spoje. Bezpečnostní lano může být přímo přišito k oku popruhu, a vytvořit tak trvalý spoj. Na jednom oku nedělejte více spojů, pokud nepoužijete oko vhodné velikosti k připevnění dvou bezpečnostních lan. Připevnění bezpečnostního lana k oku na popruhu (obrázek 7): A) Prostrčte oko bezpečnostního lana skrz oko na popruhu nebo úchytu ve tvaru D na postroji. B) Prostrčte příslušný konec bezpečnostního lana skrz oko bezpečnostního lana. C) Přitáhněte bezpečnostní lano skrz přípojně oko na popruhu, aby došlo k utažení.
- 2.7 ULOŽENÍ BEZPEČNOSTNÍHO LANA:** Obrázek 8 ukazuje uložení bezpečnostních lan v době nepoužívání. Příslušenství pro uložení bezpečnostního lana slouží k připevnění volného konce bezpečnostního lana nebo samonavíjecího záchytného zařízení určeného k připevnění k postroji v době, kdy nejsou připojeny ke kotvicímu bodu a neslouží jako ochrana proti pádu. Příslušenství pro uložení bezpečnostního lana nesmí být použito jako prvek jištění proti pádu na postroji pro účely připojení bezpečnostního lana nebo samonavíjecího záchytného zařízení (A).

V době, kdy není připojena ke kotvicímu bodu, musí být nepřipojená větve bezpečnostního lana řádně uložena do postroje (B) nebo pevně v ruku uživatele jako v situacích se 100% uvázáním (Tie-Off) (C). O volně visící větve bezpečnostního lana (D) by mohl uživatel zakopnout, případně by se mohly zachytit o okolní předměty a způsobit pád.

1 Uživatel: Osoba vykonávající výškové práce využívající osobní jištění proti pádu.

2 Oprávněná osoba: Osoba pověřená zaměstnavatelem k výkonu povinností na místě, kde bude osoba vystavena riziku pádu z výšky.

3 Záchranář: Osoba nebo osoby jiné než osoba zachraňovaná vykonávající činnosti asistované záchranné operace pomocí záchranného systému.

4 Kompetentní osoba: Osoba schopná identifikovat existující a předvídatelné nebezpečí v okolí nebo v podmínkách práce, které jsou pro pracovníky zdravotně závadné, rizikové nebo nebezpečné, pověřená přijímat okamžitá nápravná opatření k jejich odstranění.

5 Četnost kontrol: Extrémní pracovní podmínky (nepříznivé prostředí, dlouhodobé používání atd.) si mohou vyžádat častější kontroly kompetentní osobou.

3.0 POUŽÍVÁNÍ POSTROJE

3.1 PŘED KAŽDÝM POUŽITÍM tohoto zařízení proveďte jeho kontrolu podle pokynů v „Deníku kontrol a údržby“ (tabulka 1).

3.2 PŘED použitím systému proveďte plánování. Vezměte v úvahu všechny faktory, které budou ovlivňovat vaši bezpečnost během používání tohoto zařízení. Následující seznam obsahuje důležité body, které je při plánování systému třeba zvážit:

- **Ukotvení:** Zvolte kotvicí systém, který je schopen odolat požadovanému statickému zatížení dané aplikace jištění proti pádu (viz kapitola 1.1). Umístění kotvicího systému musí odpovídat omezením pro volný pád, délku pádu, výkyv při pádu a prostředí popsáním v kapitole 1.4.
- **Ostré hrany:** Nepracujte v místech, kde součásti systému mohou přijít do kontaktu s nechráněnými ostrými hranami nebo kde se o ně mohou otírat.
- **Dojde-li k pádu:** Součásti, které byly vystaveny silám při zachycení pádu, musí být vyřazeny a znehodnoceny.
- **Záchrana:** Zaměstnavatel musí mít při používání tohoto zařízení vypracovaný záchranný plán. Zaměstnavatel musí být schopen provést rychlou a bezpečnou záchrannou akci.
- **Záchranný postroj:** Záchranné postroje (EN1497) jsou určeny k nošení při běžných pracovních činnostech. Před prvním použitím záchranných přípojných prvků by měl uživatel provést zkoušku zavěšení v bezpečných podmínkách, aby se ujistil, že je postroj správně nastaven a připevněn pro optimální komfort při zavěšení.
- **Polohování při práci:** Pokud používáte systém polohování při práci, vždy zvažte použití záložního systému pro ochranu osob proti pádu (např. systém jištění proti pádu). Vždy používejte kotevní bod umístěný na úrovni pasu nebo nad ním.

3.3 SPONY: Celotělové postroje jsou vybaveny různými upínacími sponami a nastavitelnými popruhy pro nohy a hrudník. Tělové pásy na postroji mají přezku s jazýčkem. Typy spon na postroji vidíte na obrázku 1. Obrázek 9 demonstruje používání jednotlivých spon:

1. Rychloupínací přezky:

- A. Rychloupínací přezku upevníte tak, že vložíte packu do spony. Musí se ozvat cvaknutí.
- B. Jak si nastavíte připojený popruh: Přitáhnutím popruhu v přezce ho utáhnete, popotažením popruh uvolníte.
- C. Jak si rozepnout rychloupínací přezku: Zmáčknete páčky zámku na obou stranách spony. Vytáhněte packu ze spony.

2. Provlékačké přezky:

- A. Zasuňte vnější část přezky do drážky ve vnitřní části přezky.
- B. Utáhněte volný popruh, aby vnější část přezky zapadla do vnitřní. Volný konec zastrčte do kapsy na popruh.

3.4 NASTAVENÍ: Součástí postrojů jsou dva nastavovací prvky, kterými se dají nastavit ramenní popruhy. Nastavení nastavovacích prvků demonstruje obrázek 10.

1. Padákové nastavovací prvky:

- A. Zatažením za volný konec popruhu utáhněte ramenní popruh. Pokud chcete ramenní popruh povolit, zatáhněte za volný konec popruhu a prostrčte ho zpátky padákovým nastavovacím popruhem.
- B. Až bude nastavený správně, volný konec založte do kapsy na popruh.

Pokud je k dispozici správa konce popruhu se suchého zipu (viz obrázek 11), naviňte volný pás popruhu zpět, dokud není těsný (A), spojte pruhy suchého zipu zpět přes popruh a zajistěte pruhy (B). Zajistěte, aby role byla těsná a držák popruhu byl posunut poblíž role (C).

3.5 OBLÉKÁNÍ A UTAHOVÁNÍ CELOTĚLOVÉHO POSTROJE: Obrázek 13 znázorňuje oblékání a utahování celotělového postroje. Před každým použitím zkontrolujte postroj dle kontrolního seznamu v „Deníku kontrol a údržby“ (tabulka 1). Oblékání a utahování postroje:

Postup zapínání a utahování popruhů na postroji se bude lišit v závislosti na modelu postroje. Podrobnosti naleznete v kapitolách 3.3 až 3.4 a na obrázcích 9 až 10.

1. Zvedněte postroj a držte ho za zádový úchyt ve tvaru D. Zkontrolujte, zda popruhy nejsou překroucené.
2. Uchopte ramenní popruhy a nasuňte postroj na jednu paži. Zádový úchyt ve tvaru D se nachází na vašich zádech. Zkontrolujte, zda popruhy nejsou zamotané a volně visí. Vsuňte volnou paži do postroje a umístěte ramenní popruhy na ramenou. Pokud byl postroj správně nasazen, hrudní popruh a hrudní spona budou na přední straně.
3. Sáhnete mezi nohy a uchopte nožní popruh na pravé straně. Vytáhněte jej mezi nohama a připněte jej do spony na vašem pravém boku, poté upravte nožní popruh tak, aby těsně a pohodlně přiléhal k vaší noze (používání přezky viz kapitola 3.3). Po správném utahování zastrčte volný konec nožního popruhu do kapsy na popruh.
Stejným postupem proveďte zapnutí a utahování levého nožního popruhu.
4. Utáhněte a zapněte přezku s jazýčkem na bederním pásu, pokud je jí vybaven (používání přezky s jazýčkem viz v kapitole 3.3).
5. Zapněte a utáhněte hrudní popruh (používání přezky viz v kapitole 3.3). Hrudní popruh musí být 15 cm (6 in) pod horním okrajem ramen. Po správném utahování zastrčte volný konec hrudního popruhu do kapsy na popruh.
6. Pomocí tělových nastavitelných pásů utáhněte ramenní popruhy tak, aby těsně a pohodlně přiléhal (používání tělových pásů viz v kapitole 3.4). Levá a pravá strana ramenních popruhů musí být nastavena na stejnou délku a hrudní popruh musí být umístěn ve středu spodní části hrudníku, 15 cm (6 in) pod rameny. Zádový úchyt ve tvaru D musí být uprostřed mezi lopatkami. Hrudní úchyt ve tvaru D, pokud je použit, musí být umístěn po straně ve vzdálenosti do 5 cm (2 in) od svislé středové osy postroje.

Během používání pravidelně kontrolujte upevňovací a nastavovací prvky.

- 3.6 POUŽITÍ ÚCHYTU VE TVARU D NEBO PŘÍPOJNÉHO PRVKU PŘI JIŠTĚNÍ PROTI PÁDU:** Kotevní body pro Jištění proti pádu jsou označeny velkým písmenem "A". Při použití pro jištění proti pádu připojte zářadový úchyt ve tvaru D nebo přípojný prvek na zádech mezi lopatkami, nebo hrudní úchyt ve tvaru D na hrudníku. Boční úchyty ve tvaru D, jsou-li použity, slouží pouze k polohování nebo přidržování. Ramenní úchyty slouží pouze k záchraně nebo vyprošťování. Hrudní úchyt ve tvaru D slouží pro lezení po žebříku nebo polohování. Úchyty ve tvaru D na závěsném sedáku slouží pouze k zavěšování nebo polohování. (Viz kapitolu 1.1.).
- 3.7 SPOJOVÁNÍ:** Pokud používáte k připojení ke kotvicímu systému karabinu nebo spojíte několik součástí systému dohromady, ujistěte se, že nemůže dojít k uvolnění. K uvolnění dochází, když kontakt mezi karabinou a spojkou způsobí, že se zámek karabiny nechtěně otevře a uvolní. Aby nedošlo k uvolnění, je nutné používat karabiny s pojistkou. Nepoužívejte háky nebo spojky, které plně neobepínají připojovaný objekt. Více informací o vytváření spojů naleznete v pokynech výrobce daného subsystému.
- 3.8 SPOJOVÁNÍ SOUČÁSTÍ SYSTÉMU:** Po nasazení postroje může uživatel přejít k připojování k dalším součástem systému. Postupujte podle pokynů v kapitole 2 a podle pokynů výrobce dané součásti.

4.0 KONTROLA

- 4.1 ČETNOST KONTROL:** Celotělový postroj musí procházet kontrolami v intervalech stanovených v kapitole 2.2. Postupy kontroly jsou popsány v „Protokolu kontrol a údržby“ (tabulka 1).
- 4.2 VADY:** Pokud kontrola odhalí vadu, okamžitě daný postroj vyřadte a znehodnoťte.
- 4.3 ŽIVOTNOST VÝROBKU:** Funkční životnost postrojů závisí na pracovních podmínkách a údržbě. Maximální délka životnosti může spadat do rozmezí jeden rok (intenzivní využívání v náročných podmínkách) až deset let (občasné využívání v nenáročných podmínkách). Výrobek může být v provozu tak dlouho, dokud vyhovuje kontrolním kritériím, maximálně 10 let.

5.0 ÚDRŽBA, SERVIS A SKLADOVÁNÍ A PŘEPRAVA

Výrobek nečistěte ani nevydezinfikujte žádným jiným způsobem, než jak je popsáno v následujících pokynech pro čištění. Jiné metody mohou mít nepříznivé účinky na výrobek nebo uživatele.

- 5.1 ČIŠTĚNÍ:** Celotělové postroje 3M musí být čištěny v souladu s pokyny společnosti 3M. Chcete-li postroj vyčistit, umyjte jej jemným čisticím prostředkem bez bělidla a poté jej opláchněte. Postroj by měl být následně zavěšen k vysušení na vzduchu. Teplota vody používané k čištění a teplota vzduchu používaného k sušení by nikdy neměly překročit hodnotu 54,4 °C (130 °F). Další informace naleznete v technickém bulletinu na našich webových stránkách: <http://www.3M.com/FallProtection/WebCleaning>

Máte-li jakékoliv dotazy týkající se čisticích postupů, obraťte se na technický servis společnosti 3M.

- 5.2 SERVIS:** Celotělové postroje nelze opravovat. Pokud byl postroj vystaven působení pádu nebo kontrola odhalí nebezpečný či vadný stav, okamžitě ho vyřadte a znehodnoťte.
- 5.3 SKLADOVÁNÍ A PŘEPRAVA:** Skladování a přeprava celotělového postroje musí probíhat v chladném, suchém a čistém prostředí mimo dosah přímého slunečního světla. Vyvarujte se uložení v prostorách, kde se mohou vyskytovat chemické výpary. Po delším skladování postroj důkladně zkontrolujte.

6.0 OZNAČENÍ

Obrázek 14 znázorňuje štítky výrobku a jejich umístění na celotělovém postroji. Štítky musí být kompletní a čitelné.

Údaje na jednotlivých štítcích:

1	(A) Kotevní bod pro zadržení pádu, vyznačený velkým písmenem "A" (B) Umístění štítku
2	(A) Protokol o prohlídkách (B) Sériové číslo (C) Iniciály (D) Datum (E) Tento štítek neodstraňujte.
3	(A) Informační štítek pro uživatele
4	(A) Sériové číslo (B) Měsíc výroby (C) Rok výroby (D) Číslo šarže (E) Modelové číslo (F) Evropská norma (G) Kapacita (H) Velikost (I) Viz pokyny (J) Značka CE (K) Číslo notifikovaného orgánu, který vystavil osvědčení o shodě s typem (L) Velikost tělesného pásu

Læs alle sikkerhedsoplysninger i denne brugervejledning, og sørg for, at du forstår og følger disse, før du bruger denne helkropssele. UNDLADELSE HERAF KAN MEDFØRE ALVORLIG PERSONSKADE ELLER DØDSFALD.

Disse anvisninger skal udleveres til brugeren af udstyret. Opbevar denne vejledning til senere brug.

Anvendelsesformål:

Denne helkropssele er beregnet til brug som en del af et komplet, personligt faldsikringssystem.

Enhver anden brug end denne, herunder, men ikke begrænset til, materialehåndtering, rekreative eller sportslige aktiviteter eller andre aktiviteter, der ikke er beskrevet i brugervejledningen, er ikke godkendt af 3M og kan medføre alvorlig skade eller død.

Denne anordning må kun benyttes af uddannede brugere til anvendelse på arbejdspladsen.

ADVARSEL

Denne helkropssele er en del af et personligt faldsikringssystem. Det forventes, at alle brugere er fuldt uddannede i sikker installation og brug af deres personlige faldsikringssystem. **Misbrug af denne anordning kan medføre alvorlig skade eller død.** Jævnfør denne brugervejledning samt alle producentens anbefalinger, tal med din vejleder, eller kontakt 3M's tekniske service vedrørende korrekt valg, drift, installation, vedligeholdelse og servicering.

- **For at reducere risiciene ved at arbejde med en helkropssele, som, hvis de ikke undgås, kan medføre alvorlig skade eller død, skal du efterleve følgende:**
 - Efterse anordningen før hver brug, mindst én gang om året og efter et eventuelt fald. Efterse systemet i overensstemmelse med brugervejledningen.
 - Hvis der ved inspektion og eftersyn konstateres usikre eller defekte tilstande, skal anordningen tages ud af drift og destrueres.
 - Enhver anordning, som har været udsat for faldstandsning eller kraftpåvirkninger, skal straks tages ud af brug og destrueres.
 - Sørg for, at selen påføres korrekt, har den rigtige størrelse og er korrekt justeret.
 - Sørg for, at alle forbindende undersystemer (f.eks. taljereb) holdes fri for farer, herunder eksempelvis sammenfiltring med andre arbejdere, dig selv, maskineri der bevæger sig, eller andre objekter i nærheden.
 - Sørg for, at faldsikringssystemer/-undersystemer, der er samlet fra komponenter, der er fremstillet af forskellige fabrikanter, er kompatible og opfylder kravene i relevante standarder, inklusive ANSI Z359 eller andre gældende regulativer, standarder for eller krav til faldbeskyttelse. Opsøg altid en kompetent og/eller kvalificeret person, før du anvender disse systemer.
- **For at reducere risici i forbindelse med højdearbejde, som, hvis de ikke undgås, kan medføre alvorlig skade eller død, skal du efterleve følgende:**
 - Sørg for, at dit helbred og din kondition gør dig i stand til sikkert at kunne modstå alle de kræfter, der er forbundet med højdearbejde. Rådfør dig med din læge, hvis du har spørgsmål vedrørende din evne til at bruge dette udstyr.
 - Overstig aldrig den tilladte kapacitet for dit faldsikringsudstyr.
 - Overstig aldrig den maksimale faldafstand fra dit faldsikringsudstyr.
 - Brug ikke faldsikringsudstyr, som ikke virker ved forudgående brug eller planlagte inspektioner, eller hvis du er bekymret for udstyrets brug eller egnethed til det tilsigtede formål. Kontakt 3M's tekniske service med eventuelle spørgsmål.
 - Kombinationer med visse delsystemer og komponenter kan forstyrre driften af dette udstyr. Brug kun kompatible forbindelser. Rådfør dig med 3M, før du bruger dette udstyr sammen med andre komponenter eller delsystemer end dem, der er beskrevet i brugervejledningen.
 - Vær særligt forsigtig, når du arbejder i nærheden af maskiner, som bevæger sig (f.eks. øverste drev på olieplatforme), elektrisk fare, ekstreme temperaturer, kemiske farer, eksplosive eller giftige gasser, skarpe kanter eller under overliggende materialer, som kan falde ned på dig eller dit faldsikringsudstyr.
 - Brug Arc Flash eller Hot Works (dvs. passende beskyttelses)-anordninger, når du arbejder i miljøer med ekstrem varme.
 - Undgå overflader og genstande, som kan beskadige brugeren eller udstyret.
 - Sørg for tilstrækkelig faldafstand ved højdearbejde.
 - Faldsikringsudstyret må aldrig modificeres eller ændres. Kun 3M eller parter, som 3M skriftligt har bemyndiget, må foretage reparationer på udstyret.
 - Før brug af faldsikringsudstyret skal du sørge for at have en redningsplan, som muliggør hurtig redning i tilfælde af fald.
 - Hvis der sker et fald, skal der straks søges lægehjælp for den faldne arbejder.
 - Brug ikke et kropsbælte til anvendelser, der involverer faldsikring. Må kun benyttes med komplet kropssele.
 - Risikoen for svingfald kan minimeres ved så vidt muligt at arbejde lige under forankringspunktet.
 - Hvis der øves med dette system, skal der benyttes sekundært faldbeskyttelsesudstyr på en sådan måde, at lærlingen ikke udsættes for utilsigtet faldrisiko.
 - Brug altid passende, personlige værnemidler under installation, brug eller inspektion af enheden/systemet.

Inden udstyret tages i brug, skal produktidentifikationsoplysningerne fra ID-mærkatet noteres i "Inspektions- og vedligeholdelsesloggen" på bagsiden af denne manual.

Sørg altid for, at du bruger den seneste udgave af din 3M-brugervejledning. Besøg 3M-webstedet, eller kontakt 3M's tekniske service for at få opdaterede brugervejledninger.

BESKRIVELSE

Figur 1 definerer de tilgængelige modeller af 3M™ Protecta®-helkropsseler. Selemodeller fås i fire størrelser med forskellige kombinationer af de følgende funktioner:

	Figur 1 reference:	Beskrivelse:
Størrelser	S, M/L, XL	Small, medium/large, extra large
	Ⓑ	Kropsremstørrelse i cm
Fastgørelseselementer	①	D-ring på ryggen
	②	D-ring på brystet
	③	D-ringe på hofterne
	④	Skulderfastgørelse
Spænder	⑤	Hurtigt sammenkoblende spænder
	⑥	Gennemløbende spænder
Justeringsmekanismer	⑦	Faldskærmsbrystjusteringsmekanismer
Puder	⑧	Bælte- og hoftepude
	⑨	Benpude
Yderligere funktioner	⑩	Holdere til sikkerhedsliner med nødudløsning og automatisk nulstilling
	⑪	Remtøjende styring. Se figur 11.
	⑫	Redningsstrop
	⑬	Værktøjssløjfe

SPECIFIKATIONER

Ydeevne:	
Maksimal standsekraft:	6 kN (1 349 lbf)
Kapacitet:	140 kg (310 lb.)
Driftstemperatur:	Minimum: -35 °C (-31 °F) Maksimum: +57 °C (135 °F)

Materialer:	
Remtøj	Polyester - 22 kN (4 946 lbf) brudstyrke
Pudebetræk	Blanding af nylon og polyester
Mærkatomslag	Blanding af nylon og polyester
Tråd	Polyestertråd på polyesterremtøj
D-ringe	Galvaniseret stål med elastisk styrke på 22 kN (4 946 lbf)
Hurtigt sammenkoblende spænder	Stål, rustfrit stål og galvaniseret stål med elastisk styrke på 18 kN (4 047 lbf)
Gennemløbende spænder	Galvaniseret stål med elastisk styrke på 18 kN (4 047 lbf)
Faldskærmsbrystjusteringsmekanismer	Galvaniseret stål med elastisk styrke på 18 kN (4 047 lbf)

1.0 ANVENDELSE

1.1 FORMÅL: Helkropsseler skal anvendes som komponenter i et personligt faldsikringssystem, som er designet til at forebygge fald eller sikkert standse fald (se figur 2). Helkropsseler anvendes i følgende applikationer:

(A)	Faldstandsning (EN360, EN361, EN355): Personlige faldsikringssystemer inkluderer typisk en helkropssæle og et tilsluttet delsystem (energiabsorberende line, selvopruddende anordning, etc.). Maksimal standsekraft må ikke overstige 6 kN (1 349 lbf). <i>Forankringsstyrke:</i> Den valgte forankring skal kunne klare en belastning på 12 kN (2 698 lbf) eller mere.
(B)	Arbejdspositionering (EN358, EN813): Arbejdspositioneringssystemer inkluderer typisk en helkropssæle, positionsjusteringsline og et personligt reserve-faldsikringssystem. Til arbejdspositioneringsformål skal arbejdspositioneringssystemet (for eksempel taljereb, Y-reb osv.) fastgøres til den nedre del (ved hofteniveau) eller side eller ved forankringselementerne, som er monteret på bæltet (D-ringe). Brug aldrig disse tilslutningspunkter til faldstandsningssystemet. <i>Fastgørelseselementer:</i> Frontal, hofter. <i>Forankringsstyrke:</i> Den valgte forankring skal kunne klare en belastning på 12 kN (2 698 lbf) eller mere.
(C)	Klatring (EN353-1): Helkropsselen anvendes som komponent i et klatresystem til at forhindre brugeren i at falde, når vedkommende klatrer på en stige eller lignende klatrestruktur. Klatresystemer inkluderer typisk en helkropssæle, et lodret kabel eller en skinne fastgjort på strukturen og en klatremuffe. Ved anvendelse til klatring på stiger kan en faldsele udstyret med en D-ring på forsiden i brysthøjde bruges til faldstandsning på fastgjorte stige-klatresystemer. <i>Fastgørelseselementer:</i> Bryst. <i>Forankringsstyrke:</i> Den struktur, som klatresystemet fastgøres til, skal kunne klare belastninger svarende til dem, som kræves ifølge dokumentationen fra systemets producent.
(D)	Redning (EN1496, EN1497, EN1498): Helkropsselen anvendes som en komponent i et redningssystem. Redningssystemer konfigureres afhængigt af redningstypen. Ved anvendelser med begrænset adgang (indelukket område) kan faldseler udstyret med D-ringe på skuldrene anvendes til adgang til eller ophejsning fra indelukkede områder, når arbejderens profil er af betydning. <i>Fastgørelseselementer:</i> Ryg, bryst, front, skulder. <i>Forankringsstyrke:</i> Den valgte forankring skal kunne klare en belastning på 12 kN (2 698 lbf) eller mere.
(E)	Kontrolleret nedstigning (EN341): Til anvendelse ved kontrolleret nedstigning kan faldseler udstyret med en enkelt D-ring i brysthøjde, en eller to frontalt monterede D-ringe eller et par konnektorer, som kommer fra nedenfor taljen (som f.eks. et sædeophæng), anvendes til tilslutning ved nedstignings- eller evakueringssystemer. <i>Fastgørelseselementer:</i> Ryg, bryst, front. <i>Forankringsstyrke:</i> De valgte forankringer skal kunne klare belastninger på 12 kN (2 698 lbf) eller mere.
(F)	Fastspænding (EN354): Helkropsselen anvendes som komponent i et fastspændingssystem for at forhindre brugeren i at blive udsat for faldrisici. Fastspændingssystemer inkluderer typisk en helkropssæle og en livline eller fastspændingsline. <i>Fastgørelseselementer:</i> Ryg, bryst, front, hofter. <i>Forankringsstyrke:</i> Den valgte forankring skal kunne klare belastninger mindst 18 kN (4 047 lbf), når lanyards indbefattende tekstilmaterialer eller tekstil lanyardelementer, f.eks. syntetiske fiber reb eller webbing anvendes. Når der anvendes lanyards, der udelukkende består af metalliske elementer, skal ankerpladsen opretholde belastninger på mindst 12 kN (2 698 lbf).

1.2 STANDARDER: Seler, som omtales i denne vejledning, overholder standarderne angivet på forsiden af vejledningen. Hvis dette produkt videresælges uden for det oprindelige modtagerland, skal den person, der videresælger, sørge for vejledning i brug, vedligeholdelse, regelmæssig inspektion og reparation på sproget i det land, hvor produktet skal bruges.

1.3 UDDANNELSE: Køberen og brugeren af dette udstyr har ansvaret for at sikre, at de er bekendte med disse anvisninger, er trænet i rigtig vedligeholdelse og anvendelse af udstyret, samt er bekendte med anvendelseskarakteristika, anvendelsesbegrænsninger og konsekvenserne af forkert anvendelse af udstyret.

1.4 BEGRÆNSNINGER: Tag altid følgende anvendelsesbegrænsninger i betragtning før brug af dette udstyr:

- **KAPACITET:** Helkropsselen er beregnet til brug af personer med en kombineret vægt (tøj, værktøj osv.) på højst 140 kg (309 lb.). Sørg for, at alle komponenter i dit system er klassificeret til en kapacitet, som svarer til din anvendelse.
- **FRIT FALD:** Et faldstopssystem skal omfatte energiabsorberende elementer eller funktioner for at sikre, at slagkrafterne på brugerens krop under anholdelsen af et frit fald begrænses til maksimalt 6 kN (1 349 lbf). Fastspændingssystemer skal være rigget op på en sådan måde, at intet vertikalt frit fald er muligt. Arbejdspositioneringssystemer skal være rigget op således, at frit fald er begrænset til 60 cm (24 in.) eller mindre. Personalehejsningsystemer skal være rigget op på en sådan måde, at intet vertikalt frit fald er muligt. Redningssystemer skal være rigget op på en sådan måde, at intet vertikalt frit fald er muligt. Se producenten af delsystemets vejledninger for yderligere oplysninger.
- **FALDAFSTAND:** Figur 3 illustrerer komponenterne i faldstandsning. Der skal være tilstrækkelig faldafstand under brugeren til, at et evt. fald standses, før brugeren rammer jorden eller nogen anden forhindring. Faldafstand påvirkes af en række faktorer, herunder: (A) Linens længde, (B) linens bremseafstand eller SRD-maksimal standsningsafstand, (C) selens strækevne og længde og sætning af D-ringen/konnektoren (typisk en sikkerhedsfaktor på 0,5 m (1,6 ft.)). Se vejledningen, som fulgte med din line eller selvopruddende anordning, for specifikke oplysninger om beregning af faldafstand.
- **SVINGFALD:** Svingfald sker, når forankringspunktet ikke befinder sig umiddelbart over punktet, hvor faldet sker (se figur 4). Den kraft der udøves, når et emne rammes i et svingfald, kan forårsage alvorlig personskade eller død. Svingfald kan minimeres ved så vidt muligt at arbejde lige under forankringspunktet. Tillad ikke muligheden for svingfald, hvis det kan medføre personskade. Sving vil øge det frirum, der er nødvendigt, når der anvendes en selvopruddende anordning eller et andet forbundet delsystem med liner af variabel længde.
- **LÆNGEREVARENDE OPHÆNGNING OG OPHÆNGNINGSTRAUMA:** En helkropssæle er ikke beregnet til anvendelser med længerevarende ophængning. Længerevarende ophængning kan forårsage ophængningstrauma. Hvis brugeren skal være ophængt i længere tid, anbefales det, at der anvendes en eller anden form for sædestøtte. 3M anbefaler et sædebræt, ophængt arbejdssæde, sædeophæng eller bådsmandsstol. Kontakt 3M for yderligere oplysninger om disse produkter.
- **MILJØFARER:** Brug af dette udstyr i områder med miljøfarer kan kræve yderligere sikkerhedsforanstaltninger for at undgå personskade eller beskadigelse af udstyret. Sådanne farer omfatter, men er ikke begrænset til, varmekilder, kemikalier, korrosive omgivelser, højspændingsledninger, gasarter, maskiner til jordarbejde og skarpe kanter.
- **SELER TIL MILJØER MED HØJE TEMPERATURER:** Seler med Kevlar-remtøj er beregnet til brug i miljøer med

høje temperaturer, med begrænsninger: Kevlar-remtøj begynder at forkulle ved 425 - 480 °C (800 - 900 °F). Kevlar-remtøj kan modstå udsættelse for temperaturer op til 535 °C (1 000 °F) ved begrænset kontakt. Polyester-remtøj mister sin styrke ved 145 - 200 °C (300 - 400 °F). PVC-belægning på udstyr har et smeltepunkt på cirka 175 °C (350 °F).

Selvom PVC-belagt og zinkbelædt udstyr udviser glimrende korrosionsbestandighed under kemiske, syreholdige, alkaliske og atmosfæriske forhold, kan hyppige inspektioner være nødvendige. Rådfør dig med 3M, hvis du har spørgsmål om brug af dette udstyr i sundhedsfarlige miljøer.

2.0 SYSTEMBRUG

2.1 REDNINGSPPLAN: Når dette udstyr og tilsluttede delsystemer anvendes, skal arbejdsgiveren have en redningsplan og midlerne til at implementere den til rådighed, og denne skal kommunikere planen til brugere¹, autoriserede personer², og reddere³.

2.2 INSPEKTIONSHYPPIGHED: Helkropsselen skal inspiceres af brugeren før hver brug samt af en anden kvalificeret person⁴ end brugeren med intervaller, der ikke overstiger et år⁵. Inspektionsprocedurer er beskrevet i brugsvejledningens "Inspektions- og vedligeholdelseslog". Resultaterne af hver inspektion af en kvalificeret person skal registreres på kopier af "Inspektions- og vedligeholdelsesloggen" eller i radiofrekvensidentifikation-systemet (se "Inspektion").

Hvor 3M kræver det på grund af udstyrets kompleksitet eller innovation, eller hvor kritisk viden er nødvendig for demontering, remontering eller evaluering af udstyret, må periodiske kontroller kun udføres af 3M eller personer eller organisationer, som er autoriseret af 3M.

2.3 KOMPONENTKOMPATIBILITET: 3M-udstyr er kun beregnet til brug med 3M-godkendte komponenter og delsystemer. Erstatninger eller udskiftninger med ikke-godkendte komponenter eller delsystemer kan bringe udstyrets kompatibilitet i fare og kan påvirke det komplette systems sikkerhed og pålidelighed.

2.4 KONNEKTORKOMPATIBILITET: Konnektorer er kompatible med forbindelselementer, når de er konstrueret til at fungere sammen på en sådan måde, at størrelserne og formerne ikke får deres ledmekanismer til utilsigtet at åbne sig, uanset hvordan de vendes. Kontakt 3M, hvis du har spørgsmål vedrørende kompatibilitet. Konnektorer (kroge, karabinhager og D-ringe) skal kunne klare en belastning på mindst 22 kN (4 946 lbf). Konnektorer skal være kompatible med forankringen og andre systemkomponenter. Anvend ikke udstyr, der ikke er kompatibelt. Ikke-kompatible konnektorer kan løsrive sig ved et uheld (se figur 5). Konnektorer skal være kompatible med hensyn til størrelse, form og styrke. Hvis tilslutningselementet, som en snapkrog (vist) eller karabinhage er fastgjort til, er for lille eller har en uregelmæssig form, kan der opstå en situation, hvor tilslutningselementet belaster snapkrogens eller karabinhagens led. Denne belastning kan medføre, at leddet åbnes, således at snapkrogen eller karabinhagen løsriver sig fra forbindelsespunktet. Der kræves selvslående snapkroge og karabinhager.

2.5 FORBINDELSER: Brug kun selvslående snapkroge og karabinhager med dette udstyr. Brug kun konnektorer, der passer til de forskellige typer brug. Sørg for, at alle forbindelser er kompatible i størrelse, form og styrke. Anvend ikke udstyr, der ikke er kompatibelt. Sørg for, at alle konnektorer er helt lukkede og låste.

3M-konnektorer (snapkroge og karabinhager) er udelukkende konstrueret til brug som specificeret i hvert produkts brugsanvisning. Se eksempler på forkerte sammenslutninger i figur 6. 3M-snapkroge og -karabinhager må ikke forbindes:

- A. Til en D-ring, som en anden konnektor er fastgjort til.
- B. På en måde som vil medføre belastning på leddet.
- C. Med forkert tilkobling, hvor dele, som stikker ud fra snapkrogen eller karabinhagen, kan få fat i ankeret og se ud til at være korrekt fastgjort til forankringspunktet, hvis ikke der tjekkes grundigt.
- D. Til hinanden.
- E. Direkte til remtøj, taljereb eller forankringslinen (medmindre producentens vejledning for både taljereb og konnektor specifikt tillader en sådan tilslutning).
- F. Til en genstand med en form eller størrelse, som gør, at snapkrogen eller karabinhagen ikke vil lukke og låse, eller som kan få linen til at rulle sig ud.
- G. På en måde som forhindrer konnektoren i at blive korrekt justeret under belastning.

2.6 TILSLUTTEDE DELSYSTEMER: Tilsluttede delsystemer (selvoprullende livline, line, rebgreb og livline, kabelmuffe osv.) skal være egnede til din anvendelse (se afsnit 1.1). Se producenten af delsystemets vejledning for yderligere oplysninger. Visse modeller af seler har remtøjsløgner som forbindelsespunkter. Brug ikke snapkroge til at forbinde remtøjsløgner. Brug en selvslående karabinhage til at forbinde til en remtøjsløgner. Sørg for, at karabinhagen ikke kan krydsbelastes mod det låsende led (belastes mod leddet fremfor mod karabinhagens hovedakse). Nogle liner er designet til at anhugge på en remtøjsløgner, så der dannes en kompatibel forbindelse. Liner kan sys direkte på remtøjsløgner, så der dannes en permanent forbindelse. Forbind ikke flere liner til den samme remtøjsløgner, medmindre der forbindes to liner til en remtøjsløgner af korrekt størrelse. Sådan anhugges linen på en remtøjsløgner (figur 7): A) Indsæt linens remtøjsløgner gennem remtøjsløgner eller D-ringen på selen. B) Indsæt den relevante ende af linen gennem linens remtøjsløgner. C) Træk linen gennem forbindelsesremtøjet for at sikre den.

2.7 LINEPARKERING: Figur 8 illustrerer lineparkering. Fastgørelseelementet til lineparkering er til fastgørelse af den frie ende af en line eller selvoprullende anordning monteret på en sele, når den ikke er forbundet med et forankringstilslutningspunkt med henblik på faldsikring. Fastgørelseelementer til lineparkering må aldrig anvendes som et fastgørelseelement til faldsikring på selen for at fastgøre et taljereb eller en selvoprullende anordning (A).

Når den ikke er forbundet med et forankringstilslutningspunkt, skal et taljerebsben, der ikke er sluttet til, være ordenligt parkeret på selen (B) eller sikret i brugerens hånd som i anvendelser med 100 % afsnøring (Tie-Off) (C). Frit hængende taljerebsben (D) kan fange brugeren eller blive fanget på omgivende genstande, hvilket resulterer i et fald.

1 Brugere: En person, som udfører aktiviteter i højder, mens han/hun beskyttes af et personligt faldsikringssystem.

2 Autoriseret person: En person, der er udpeget af arbejdsgiveren til at udføre opgaver på en beliggenhed, hvor personen vil være udsat for en faldrisiko.

3 Redder: Person eller personer, udover den person, der bliver reddet, som handler for at foretage en assisteret undsætning ved brug af et redningssystem.

4 Kvalificeret person: En person, som er i stand til at identificere eksisterende og forudsigelige risici i omgivelserne eller i forhold til arbejdsbetingelser, som er usunde, skadelige eller farlige for medarbejderne, og som har bemyndigelse til at træffe øjeblikkelige korrigerende forholdsregler for at eliminere dem.

5 Inspektionshyppighed: Ekstreme arbejdsforhold (barskt miljø, langvarig brug osv.) kan gøre det nødvendigt at øge inspektionshyppigheden.

3.0 BRUG AF SELE

3.1 INDEN HVER BRUG AF udstyret skal det efterses ifølge "Inspektions- og vedligeholdelsesloggen" (tabel 1).

3.2 PLANLÆG systemet inden brug. Tag alle faktorer, der har indflydelse på sikkerheden under brug af udstyret, i betragtning. Følgende liste indeholder vigtige punkter, som du bør overveje, når du planlægger dit system:

- **Forankring:** Vælg en forankring, som kan opfylde kravene til statisk belastning for den tilsigtede faldsikringsanvendelse (se afsnit 1.1). Forankringsstedet skal tage højde for frit fald, faldafstand, svingfald og miljømæssige begrænsninger beskrevet i afsnit 1.4.
- **Skarpe kanter:** Undgå arbejde på steder, hvor systemets komponenter kan komme i kontakt med eller skrabe mod ubeskyttede skarpe kanter.
- **Efter et fald:** Komponenter, som har været udsat for kraftpåvirkningen fra at stoppe et fald, skal tages ud af brug og destrueres.
- **Redning:** Arbejdsgiveren skal have en redningsplan, når dette udstyr anvendes. Arbejdsgiveren skal være i stand til at foretage en redning hurtigt og sikkert.
- **Redningssele:** Redningssele (EN1497) er beregnet til brug under almindelige arbejdsaktiviteter. Inden brug af fastgørelseselementer til redning for første gang skal brugeren udføre en ophængningstest under sikre forhold for at kontrollere, at selen har den rigtige størrelse og er tilpasset med henblik på optimal komfort under ophængning.
- **Arbejdspositionering:** Overvej altid, om der bør anvendes et reservesystem til personlig faldsikring (f.eks. et system til faldstop) ved anvendelse af et system til arbejdspositionering. Brug altid et ankerpunkt placeret i eller over taljeniveau.

3.3 SPÆNDER: Helkropsseler er udstyret med forskellige spænder til fastgøring og justering af ben- og bryststropper. Selernes kropsbælter er udstyret med et spænde med låsetunge. Se figur 1 for typerne af spænder på din sele. Figur 9 illustrerer betjening af alle de følgende spænder:

1. Hurtigt sammenkoblende spænder:

- A. For at fastgøre det hurtigt sammenkoblende spænde skal du sætte fligen i modtagerdelen, indtil du kan høre et klik.
- B. Sådan justeres den fastgjorte netstrop: Træk netstroppen frem eller tilbage gennem spændespalten for at stramme eller løsne den.
- C. Sådan udløses det hurtigt sammenkoblende spænde: Klem sammen om låsehåndtagene på hver side af modtagerdelen. Træk fligen ud af modtagerdelen.

2. Gennemløbende spænder:

- A. Sæt hanspændet igennem spalten i hunspændet.
- B. Stram den strop som hænger frit, så hanspændet er placeret fladt mod hunspændet. Sikr den strop som hænger frit i stropholderen.

3.4 JUSTERINGER: Seler er forsynet med et par brystjusteringsmekanismer til at justere skulderstropperne. Figur 10 illustrerer justering af brystjusteringsmekanismerne:

1. Faldskærmsbrystjusteringsmekanismer: Sådan justeres skulderstropperne med faldskærmsbrystjusteringsmekanismerne:

- A. Træk i den strop der hænger frit for at stramme skulderstroppen. For at løsne skulderstroppen skal du trække i den strop, der hænger frit, og skubbe stroppen tilbage igennem faldskærmsjusteringsmekanismen.
- B. Når den er justeret ordenligt, skal du sikre den strop, der hænger frit i stropholderen.

Hvis styringen af velcro-webender (se figur 11) er til stede, skal du rulle den frie båndstrop tilbage, indtil den er stram (A), samles velcro-stripene tilbage over stroppen og fastgør stripene (B). Sørg for, at rullen er stram, og stropholderen er forskudt tæt på rullen (C).

3.5 IFØRING OG TILPASNING AF HELKROPSSELEN: Figur 13 illustrerer iføring og tilpasning af helkropsselen. Efterses inden hver brug selen iht. tjeklisten i "Inspektions- og vedligeholdelseslog (tabel 1)". Sådan iføres og tilpasses selen:

Procedurerne til at spænde og tilpasse stropperne på din sele vil variere med selemodellen. Se afsnit 3.3 og 3.4 og figurerne 9 og 10 for yderligere oplysninger.

1. Løft og hold selen på D-ringen placeret på ryggen. Sørg for, at stropperne ikke er snoede.
2. Tag fat i skulderstropperne, og træk selen over den ene arm. D-ringen på ryggen skal befinde sig på ryggen. Sørg for, at stropperne ikke er sammenfiltrede og hænger frit. Stik din frie arm i selen, og anbring skulderstropperne på skuldrene. Bryststroppen og spændet på brystet vil være på din forside, når selen bæres korrekt.
3. Ræk mellem benene, og tag fat i benstroppen på højre side. Før stroppen op mellem benene, og fastspænd ved hjælp af det tilsvarende spænde på højre hofte. Juster derefter stroppen, så den sidder ordenligt til (se afsnit 3.3 for betjening af spændet). Stik efter passende justering den løse ende af benstroppen under stropholderen. Gentag processen for at spænde og justere den venstre benstrop.
4. Juster og spænd spændet med låsetunge på taljebæltet, hvis det er til stede. (Se afsnit 3.3 for betjening af låsetungespænde).
5. Spænd og juster bryststroppen (se afsnit 3.3 for betjening af spænde). Bryststroppen skal være 15 cm (6 in) ned fra toppen af dine skuldre. Stik efter passende justering den løse ende af bryststroppen under stropholderen.
6. Juster skulderstropperne, så de sidder til med brystjusteringsmekanismerne (se afsnit 3.4 for betjening af brystjusteringsmekanismerne). Den venstre og højre side af skulderstropperne skal justeres, så de er samme længde, og bryststroppen skal sidde midt over den nederste del af brystkassen, 15 cm (6 in) ned fra skuldrene. D-ringen på ryggen skal være midt mellem skulderbladene. Hvis der er en D-ring fortil på brystet, skal den placeres sidelæns inden for 5 cm (2 in) af selens lodrette midterlinje.

Kontroller regelmæssigt fastgørelses- og justeringselementer under brug.

- 3.6 BRUG AF D-RING ELLER FASTGØRELSESELEMENT TIL FALDSTANDSNING:** Ankerpunkter til efterårsbeskyttelse er markeret med bogstav "A". Ved anvendelse til faldstandsning skal du tilkoble til D-ringen på ryggen eller fastgørelseselementet på ryggen mellem skulderbladene, eller D-ringen fortil på brystet fastgørelseselement på brystet. D-ringe i siderne, hvis der er nogen, må kun anvendes til positionering eller fastspænding. Skulderfastgørelseselementer er kun til brug ved redning eller hentning. D-ringen fortil på brystet er til klatring på stiger eller positionering. D-ringe på et ophængt sæde er kun til brug til ophængning eller positionering. (Se afsnit 1.1).
- 3.7 FORBINDELSER:** Når der anvendes en krog til tilslutning til en forankring, eller når systemkomponenter sammenkobles, skal der sørges for, at linen ikke kan rulle ud. Udrulning sker, når interferens mellem kroge og forbindelseskonnektoren får krogledet til utilsigtet at åbne og udløse. Selvlåsende snapkroge og karabinere skal anvendes for at reducere muligheden for udrulning. Undlad at bruge kroge eller konnektorer, der ikke lukker fuldstændigt over det tilkoblede emne. Se anvisningerne fra producenten af delsystemet for yderligere oplysninger om forbindelser.
- 3.8 FORBINDELSE AF SYSTEMKOMPONENTER:** Efter tilpasning af selen kan brugeren koble til andre systemkomponenter. Følg retningslinjerne i afsnit 2 og fabrikantens brugsanvisning, som følger med komponenten.

4.0 INSPEKTION

- 4.1 INSPEKTIONSHYPPIGHED:** Helkropsselen skal efterses med de anviste intervaller, som defineret i afsnit 2.2. Inspektionsprocedurer er beskrevet i "Inspektions- og vedligeholdelsesloggen" (tabel 1).
- 4.2 DEFEKTER:** Hvis inspektionen finder nogen defekt, skal selen omgående tages ud af brug og destrueres.
- 4.3 PRODUKTETS LEVETID:** Den driftsmæssige levetid for selerne bestemmes af arbejdsbetingelser og vedligeholdelse. Maksimal levetid kan variere fra 1 år med massivt brug under ekstreme forhold til 10 år med let brug under milde forhold. Så længe produktet godkendes ved inspektionen, må det fortsat bruges op til maksimalt 10 år.

5.0 VEDLIGEHOLDELSE, SERVICE, OPBEVARING og TRANSPORT

Undlad at rengøre eller desinficere produktet med andre metoder end metoderne, der beskrives i følgende rengøringsanvisninger. Andre metoder kan have skadelig indvirkning på produktet eller brugeren.

- 5.1 RENGØRING:** 3M-helkropsseler skal rengøres i overensstemmelse med 3M's anvisninger. Rengør selen ved først at vaske den i et mildt, blegemiddelfrit rengøringsmiddel og derefter skylle den. Selen skal derefter hænges op til lufttørring. Temperaturen på vandet, der bruges til rengøringen, og lufttemperaturen under tørring må aldrig overstige 54,4 °C (130 °F). Der henvises til den tekniske bulletin på vores hjemmeside for nærmere oplysninger: <http://www.3M.com/FallProtection/WebCleaning>

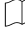
Hvis du har spørgsmål om rengøringsprocedurer, bedes du kontakte 3M's tekniske service.

- 5.2 SERVICE:** Helkropsseler kan ikke repareres. Hvis helkropsselen har været udsat for faldkraft, eller hvis en inspektion afslører usikre eller defekte tilstande, skal helkropsselen omgående tages ud af brug og bortskaffes.
- 5.3 OPBEVARING OG TRANSPORT:** Opbevar og transportér helkropsselen på et køligt, tørt og rent sted uden for direkte sollys. Undgå steder, hvor der kan være kemikaliedampe. Efterses selen efter længerevarende opbevaring.

6.0 MÆRKNING

Figur 14 illustrerer produktmærkaterne og deres placering på helkropsselen. Alle mærkater skal være til stede og læselige.

Hver mærkat har følgende information:

1	(A) Ankerpunkt for faldstilfælde, markeret med bogstav "A" (B) Etiket placering
2	(A) Inspektionsjournal (B) Serienummer (C) Initialer (D) Dato (E) Denne mærkat må ikke fjernes.
3	(A) Brugeroplysningermærkat
4	(A) Serienummer (B) Fremstillingsmåned (C) Fremstillingsår (D) Partnummer (E) Model nummer (F) Europæisk standard (G) Kapacitet (H) Størrelse (I)  Se anvisningerne (J) CE-mærke (K) Nummer på bemyndiget institution der udfører overensstemmelseserklæring af modellen (L) Kropsstørrelse

Vor der Verwendung dieses Ganzkörper-Auffanggurts müssen die Sicherheitsinformationen in diesen Anweisungen gelesen, verstanden und befolgt werden. NICHTBEACHTUNG KANN ERNSTE VERLETZUNGEN ODER DEN TOD ZUR FOLGE HABEN.

Diese Anweisungen müssen dem Benutzer dieser Ausrüstung zur Verfügung gestellt werden. Bewahren Sie diese Anweisungen für den späteren Gebrauch auf.

Verwendungszweck:

Dieser Ganzkörper-Auffanggurt ist für den Gebrauch als Teil eines kompletten persönlichen Absturzsicherungssystems vorgesehen.

Die Verwendung in anderen Anwendungen, u. a. bei Materialtransport, Freizeitaktivitäten, Sportaktivitäten oder anderen, nicht in der Bedienungsanleitung beschriebenen Aktivitäten, wird nicht durch 3M genehmigt und kann zu schweren Verletzungen oder zum Tod führen.

Dieses Gerät darf nur von Personen verwendet werden, die in der Verwendung des Geräts am Arbeitsplatz geschult sind.

WARNUNG

Dieser Ganzkörper-Auffanggurt ist Teil eines persönlichen Absturzsicherungssystems. Es wird erwartet, dass alle Benutzer vollständig in dem sicheren Zusammenbau und der Bedienung ihres persönlichen Absturzsicherungssystems geschult werden. **Der unsachgemäße Gebrauch dieses Geräts kann ernste Verletzungen oder den Tod zur Folge haben.** Informationen zur richtigen Auswahl, Bedienung, Installation, Wartung und Instandhaltung sind der Bedienungsanleitung und den Herstellerempfehlungen zu entnehmen, oder wenden Sie sich an Ihren Vorgesetzten oder an den technischen Service von 3M.

- **Maßnahmen zur Reduzierung der Risiken (die, wenn sie nicht vermieden werden, zu schweren Verletzungen oder zum Tod führen können) im Zusammenhang mit einem Ganzkörper-Auffanggurt:**
 - Überprüfen Sie das Gerät vor jeder Verwendung, mindestens aber jährlich und nach jedem Absturz. Überprüfen Sie gemäß den Benutzeranweisungen.
 - Sollte die Inspektion einen gefährlichen Zustand oder Defekt aufzeigen, so nehmen Sie das Gerät aus dem Betrieb und zerstören Sie es.
 - Jedes Gerät, das einer Absturzsicherung oder Aufprallkräften ausgesetzt war, muss sofort aus dem Betrieb genommen und zerstört werden.
 - Stellen Sie sicher, dass der Auffanggurt richtig getragen wird, die entsprechende Größe hat und richtig angepasst wird.
 - Stellen Sie sicher, dass alle Verbindungs-Teilsysteme (z. B. Verbindungsmittel) von allen Gefahren ferngehalten werden, u. a. Verwicklung bzw. Verfangen mit anderen Arbeitern, dem eignen Körper, sich bewegenden Maschinen oder umliegenden Gegenständen.
 - Stellen Sie sicher, dass Absturzsicherungssysteme/Teilsysteme, die aus Komponenten von verschiedenen Herstellern zusammengebaut werden, zueinander passen und den Anforderungen von geltenden Normen, einschließlich ANSI Z359 oder anderen gültigen Absturzsicherungsrichtlinien, Standards oder Anforderungen entsprechen. Ziehen Sie stets einen Sachkundigen oder eine qualifizierte Person zurate, bevor Sie diese Systeme verwenden.
- **Maßnahmen zur Reduzierung der Risiken (die, wenn sie nicht vermieden werden, zu schweren Verletzungen oder zum Tod führen können) im Zusammenhang mit Arbeiten in der Höhe:**
 - Stellen Sie sicher, dass Ihre gesundheitliche und körperliche Verfassung allen Kräften im Zusammenhang mit Arbeiten in der Höhe sicher standhalten kann. Konsultieren Sie Ihren Arzt, wenn Sie Fragen bezüglich Ihrer Fähigkeit haben, diese Ausrüstung zu verwenden.
 - Niemals die zulässige Belastbarkeit für Ihre Absturzsicherungsausrüstung überschreiten.
 - Niemals die maximale Strecke des Absturzes Ihrer Absturzsicherungsausrüstung überschreiten.
 - Verwenden Sie keine Absturzsicherungsausrüstung, die die Prüfung vor dem Einsatz oder andere geplante Prüfungen nicht bestanden hat, oder wenn Sie Bedenken über die Verwendung oder Tauglichkeit dieser Ausrüstung für Ihren Anwendungsbereich haben. Bei allen Fragen wenden Sie sich an den technischen Kundendienst von 3M.
 - Manche Kombinationen mit Teilsystemen und Komponenten können die Funktionsweise dieser Ausrüstung beeinträchtigen. Nur kompatible Verbindungselemente verwenden. Konsultieren Sie 3M, bevor Sie diese Ausrüstung in Kombination mit anderen Komponenten oder Untersystemen verwenden als denen, die in dieser Bedienungsanleitung beschrieben sind.
 - Bei der Arbeit in der Nähe von beweglichen Maschinen (z. B. Kraftdrehkopf von Ölplattformen), elektrischen Gefahrenherden, extremen Temperaturen, chemischen Gefahren, explosiven oder toxischen Gasen, scharfen Kanten oder unterhalb von über dem Kopf befindlichen Materialien, die auf Sie oder Ihre Absturzsicherung fallen könnten, besonders vorsichtig vorgehen.
 - Bei Arbeiten in Umgebungen mit hohen Temperaturen Vorrichtungen für Schweißlichtbogen oder Heißenarbeiten verwenden.
 - Oberflächen und Gegenstände vermeiden, die dem Benutzer oder der Ausrüstung schaden könnten.
 - Stellen Sie bei Arbeiten in der Höhe einen angemessenen Fallraum sicher.
 - Niemals versuchen, die Absturzsicherung zu modifizieren. Nur 3M oder Dritte, die hierzu schriftlich von 3M autorisiert sind, dürfen Reparaturen an der Ausrüstung vornehmen.
 - Vergewissern Sie sich vor dem Einsatz der Absturzsicherung, dass ein Rettungsplan vorliegt, durch dessen Mittel eine unverzügliche Rettung bei einem Absturz ermöglicht wird.
 - Wenn es zu einem Absturz kommt, muss für den abgestürzten Arbeiter sofort ein Arzt hinzugezogen werden.
 - Verwenden Sie für Absturzsicherungsanwendungen keinen Haltegurt. Verwenden Sie nur einen Ganzkörper-Auffanggurt.
 - Minimieren Sie Pendelstürze, indem Sie so nahe wie möglich am Verankerungspunkt arbeiten.
 - Beim Training mit dieser Vorrichtung muss ein zweites Absturzsicherungssystem in der Weise angewendet werden, dass der Trainingsteilnehmer keiner unbeabsichtigten Absturzgefahr ausgesetzt wird.
 - Beim Zusammenbau, der Verwendung oder Prüfung der Vorrichtung stets eine entsprechende persönliche Schutzausrüstung tragen.

Übertragen Sie die Angaben zur Produktidentifikation vor Verwendung dieser Ausrüstung vom ID-Etikett in das „Prüf- und Wartungsprotokoll“ auf der Rückseite dieses Handbuchs.

Stellen Sie immer sicher, dass Sie die neueste Version Ihrer 3M-Bedienungsanleitung verwenden. Aktualisierte Bedienungsanleitungen erhalten Sie über die 3M-Website oder 3M Technical Services.

BESCHREIBUNG

In Abbildung 1 sind alle erhältlichen 3M™ Protecta® Ganzkörper-Auffanggurmodelle zu sehen. Die Auffanggurmodelle sind mit verschiedenen Kombinationsmöglichkeiten lieferbar:

	Siehe Abbildung 1:	Beschreibung:
Größen	S, M/L, XL	Klein, Mittel / Groß, Extra Groß
	Ⓑ	Körpergürtelgröße in cm
Befestigungselemente	①	Hintere Auffangöse
	②	Brust-Auffangöse
	③	Hüft-Auffangöse
	④	Schulterbefestigung
Schnallen	⑤	Schnellverschlusschnallen
	⑥	Durchzugsschnallen
Feststeller	⑦	Parachute-Feststeller für den Oberkörper
Polster	⑧	Gürtel- und Hüftpolster
	⑨	Beinpolster
Weitere Besonderheiten	⑩	Breakaway-Verbindungsmittehalter mit automatischer Rücksetzfunktion
	⑪	Gurtendenverwaltung - Siehe Abbildung 11.
	⑫	Instrumentenschleife
	⑬	Rettungsgürtel

SPEZIFIKATIONEN

Leistung:	
Maximale Bremskraft:	6 kN (1 349 lbf)
Belastbarkeit:	140 kg (310 lb.)
Betriebstemperatur:	Min.: -35 °C (-31 °F) Max.: +57 °C (135 °F)

Materialien:	
Gurtband	Polyester – 22 kN (4 946 lbf) Zugfestigkeit
Polsterbezüge	Nylon-Polyester-Gemisch
Etikettenabdeckung	Nylon-Polyester-Gemisch
Garn	Polyestergarn bei Polyester-Gurtband
Auffangösen	Legierter Stahl - 22 kN (4 946 lbf) Zugfestigkeit
Schnellverschlusschnallen	Stahl, Edelstahl und legierter Stahl – 18 kN (4 047 lbf) Zugfestigkeit
Durchzugsschnallen	Legierter Stahl - 18 kN (4 047 lbf) Zugfestigkeit
Parachute-Feststeller für den Oberkörper	Legierter Stahl - 18 kN (4 047 lbf) Zugfestigkeit

1.0 ANWENDUNGEN

1.1 VERWENDUNGSZWECK: Ganzkörper-Auffanggurte sind für die Verwendung in Verbindung mit persönlichen Absturzsicherungssystemen bestimmt, die speziell zur Verhinderung oder zum sicheren Abfangen von Abstürzen entwickelt wurden (siehe Abbildung 2). Ganzkörper-Auffanggurte kommen bei folgenden Anwendungen zum Einsatz:

(A)	Absturzsicherung (EN360, EN361, EN355): Persönliche Schutzausrüstungen gegen Absturz bestehen in der Regel aus einem Ganzkörper-Auffanggurt und einem Verbindungselement (Verbindungsmittel mit energieabsorbierenden Eigenschaften, Selbsteinzugsvorrichtung usw.). Die maximale Bremskraft darf 6 kN (1 349 lbf) nicht übersteigen. <i>Stärke der Verankerung:</i> Die ausgewählte Verankerung muss einer Belastung von mindesten 12 kN (2 698 lbf) standhalten können.
(B)	Arbeitspositionierung (EN358, EN813): Arbeitspositionierungssysteme bestehen in der Regel aus einem Ganzkörper-Auffanggurt, Verbindungsmittel für die Arbeitspositionierung und einem persönlichen Absturzsicherungssystem als Backup. Zur Arbeitspositionierung verbinden Sie das Arbeitspositionierungs-Untersystem (Beispiel: Verbindungsmittel, Y-Trageband usw.) mit den an der unteren (Hüfthöhe) Seite oder den am Gürtel angebrachten Befestigungselementen für die Verankerung der Arbeitspositionierung (Auffangösen). Verwenden Sie diese Verbindungspunkte niemals für eine Fallsicherung. <i>Befestigungselemente:</i> Frontal, im Hüftbereich. <i>Stärke der Verankerung:</i> Die ausgewählte Verankerung muss einer Belastung von mindesten 12 kN (2 698 lbf) standhalten können.
(C)	Aufstieg (EN353-1): Der Ganzkörper-Auffanggurt wird als Komponente eines Aufstiegssystems verwendet, um den Benutzer vor einem Absturz beim Besteigen einer Leiter oder anderen Kletterstruktur zu verhindern. Aufstiegssysteme umfassen in der Regel einen Ganzkörper-Auffanggurt, ein an der Struktur befestigtes vertikales Kabel oder eine Schiene und eine Kabelhülse. Bei Einsätzen, bei denen feste Aufstiegssysteme mit Leitern verwendet werden, können Auffanggurte, die mit einer vorderen Auffangöse im Brustbereich ausgerüstet sind, als Absturzsicherung verwendet werden. <i>Befestigungselemente:</i> Brustbereich. <i>Stärke der Verankerung:</i> Die Struktur, an der das Aufstiegssystem befestigt ist, muss den in der Dokumentation des Herstellers des Aufstiegssystems aufgeführten erforderlichen Lasten standhalten können.
(D)	Rettung (EN1496, EN1497, EN1498): Der Ganzkörper-Auffanggurt wird als Komponente eines Rettungssystems verwendet. Rettungssysteme werden je nach Rettungsart konfiguriert. Bei Anwendungen mit beschränktem Zugang (beengte Räume) können für das Betreten und Verlassen enger Räume Auffanggurte mit an den Schultern vorgesehenen Auffangösen verwendet werden, wenn die Öffnung zu schmal für die Arbeiter ist. <i>Befestigungselemente:</i> Rücken, Brustbereich, Vorderseite, Schulterbereich. <i>Stärke der Verankerung:</i> Die ausgewählte Verankerung muss einer Belastung von mindesten 12 kN (2 698 lbf) standhalten können.
(E)	Kontrollierter Abstieg (EN341): Bei Anwendungen für einen kontrollierten Abstieg können Auffanggurte mit einer einzelnen Auffangöse im Brustbereich, ein oder zwei vorderseitig angebrachten Auffangösen oder einem Verbindungspaar, dessen Ursprung unterhalb der Hüfte liegt (wie bei Sitzschlaufen) für den Anschluss an ein Abseil- oder Evakuierungssystem verwendet werden. <i>Befestigungselemente:</i> Rücken, Brustbereich, Vorderseite. <i>Stärke der Verankerung:</i> Die ausgewählten Verankerungen müssen einer Belastung von mindesten 12 kN (2 698 lbf) standhalten können.
(F)	Rückhaltesystem (EN354): Der Ganzkörper-Auffanggurt wird im Rahmen eines Rückhaltesystems verwendet, das den Benutzer vom Erreichen einer Absturzgefahr zurückhält. Rückhaltesysteme enthalten üblicherweise einen Ganzkörper-Auffanggurt und ein Verbindungsmittel oder ein Halteseil. <i>Befestigungselemente:</i> Rücken, Brustbereich, Vorderseite, Hüftbereich. <i>Stärke der Verankerung:</i> Die ausgewählte Verankerung muss einer Belastung von mindesten 18 kN (4 047 lbf), wenn Verbindungsmittel, die irgendein Textilmaterial oder textile Verbindungsmittellelemente umfassen, z. Kunstfaserseile oder -gewebe verwendet werden. Bei der Verwendung von Verbindungselementen, die vollständig aus metallischen Elementen bestehen, muss die Verankerung Lasten von mindesten 12 kN (2 698 lbf) aushalten.

1.2 NORMEN: Die in diesem Handbuch aufgeführten Auffanggurte erfüllen die auf der Titelseite dieser Gebrauchsanweisung angegebenen Norm(en). Wenn dieses Produkt außerhalb des ursprünglichen Bestimmungslandes wiederverkauft wird, muss der Wiederverkäufer diese Anweisungen in der Sprache des Landes zur Verfügung stellen, in dem das Produkt verwendet werden wird.

1.3 TRAINING: Benutzer und Käufer dieser Ausrüstung müssen sicherstellen, dass sie mit diesen Anweisungen vertraut sind und bezüglich korrekter Pflege und Einsatz geschult werden; sie müssen auch die Betriebsmerkmale, Anwendungseinschränkungen und die Folgen eines nicht ordnungsgemäßen Gebrauchs dieser Ausrüstung kennen.

1.4 EINSCHRÄNKUNGEN: Vor der Verwendung der Ausrüstung müssen die folgenden Anwendungseinschränkungen berücksichtigt werden:

- **TRAGFÄHIGKEIT:** Der Ganzkörper-Auffanggurt ist für Personen mit einem Gesamtgewicht (Kleidung, Werkzeuge usw.) von nicht mehr als 140 kg (309 lb.). Stellen Sie sicher, dass alle Komponenten Ihres Systems für die Nennkapazität der entsprechenden Anwendung ausgelegt sind.
- **FREIER FALL:** PEin Auffangsystem umfasst energieabsorbierende Elemente oder Funktionen, um sicherzustellen, dass die Aufprallkräfte auf den Körper des Benutzers während der Festnahme eines freien Falls auf maximal 6 kN (1 349 lbf) begrenzt werden. Haltesysteme müssen eingebunden sein, damit kein vertikaler freier Fall möglich ist. Arbeitspositionierungssysteme müssen so aufgebaut werden, dass ein freier Fall auf 60 cm (24 in.) oder weniger begrenzt wird. Personen-Seilsysteme müssen eingebunden sein, damit kein vertikaler freier Fall möglich ist. Rettungssysteme müssen eingebunden sein, damit kein vertikaler freier Fall möglich ist. Weitere Informationen finden Sie in der Gebrauchsanweisung des Herstellers der Teilkomponenten.
- **FALLRAUM:** Abbildung 3 zeigt die Komponenten eines Absturzsicherungssystems. Es muss ein ausreichender Fallraum vorhanden sein, um einen Absturz zu bremsen, bevor der Benutzer auf den Boden oder andere Hindernisse auftrifft. Der Fallraum wird durch eine Reihe von Faktoren beeinflusst, darunter: (A) Länge des Verbindungsmittels, (B) Verzögerungsdistanz des Verbindungsmittels oder maximaler Bremsweg des HSG, (C) Auffanggurt-Dehnung und Länge und Setzung der Auffangöse/des Verbindungselements (in der Regel ein Sicherheitsfaktor von 0,5 m (1,6 ft.)). Einzelheiten bezüglich der Berechnung des Fallraums entnehmen Sie bitte der Gebrauchsanweisung, die dem Verbindungsmittel oder der Selbsteinzugsvorrichtung beiliegt.
- **PENDELSTÜRZE:** Zu Pendelstürzen kommt es, wenn sich der Verankerungspunkt nicht direkt über dem Punkt befindet, an dem sich der Fall ereignet (siehe Abbildung 4). Die Kraft des Aufpralls auf ein Objekt bei einem Pendelsturz kann zu schweren Verletzungen oder zum Tod führen. Minimieren Sie Pendelstürze, indem Sie so nahe wie möglich am Verankerungspunkt arbeiten. Lassen Sie keinen Pendelsturz zu, wenn es dabei zu Verletzungen kommen könnte. Pendelstürze erfordern einen deutlich höheren Abstand, wenn ein Sicherungsseil mit automatischem Rückzug oder ein anderes Teilsystem mit variabler Länge verwendet wird.
- **LANGZEITIGE AUFHÄNGUNG UND HÄNGETRAUMA:** Ein Auffanggurt ist nicht für eine langzeitige Aufhängung bestimmt. Langzeitige Aufhängung kann zu einem Hängetrauma führen. Für längeres Arbeiten im Auffanggurt wird die Verwendung einer Sitzstütze empfohlen. 3M empfiehlt die Verwendung eines Sitzbretts, Hänge-Arbeitsstuhls, Sitzgurts oder eines Bootmannsstuhls. Weitere Informationen über diese Produkte erhalten Sie von 3M.
- **UMWELTGEFAHREN:** Die Verwendung dieser Ausrüstung in Bereichen mit Umweltgefahren kann zusätzliche Sicherheitsmaßnahmen erfordern, um die Verletzungsgefahr und Schäden an der Ausrüstung zu vermeiden. Zu solchen Gefahren gehören u. a. Hitze, Chemikalien, korrosive Umgebung, Hochspannungsleitungen, Gase, bewegliche Maschinen und scharfe Kanten.
- **HITZEBESTÄNDIGE AUFFANGGURTE:** Auffanggurte mit Kevlar-Gurtbändern wurden für den Einsatz bei hohen Temperaturen entwickelt, wobei folgende Einschränkungen gelten: Gurtbänder aus Kevlar-Gewebe beginnen

bei Temperaturen von 425 - 480 °C (800 - 900 °F) zu verkohlen und sind bei einer begrenzten Aussetzung an Temperaturen bis zu 535 °C (1 000 °F) hitzebeständig. Polyester-Gurtbänder verlieren bei Temperaturen zwischen 145 - 200 °C (300 - 400 °F) an Festigkeit. Die PVC-Beschichtung der Hardware hat einen Schmelzpunkt von ungefähr 175 °C (350 °F).

Obwohl sich PVC-beschichtete und verzinkte Hardware unter chemischen, sauren, alkalischen und atmosphärischen Bedingungen durch hervorragende Korrosionsbeständigkeit auszeichnen, sollten sie doch regelmäßig inspiziert werden. Falls Sie Fragen bezüglich der Verwendung dieser Ausrüstung in Gefahrenbereichen haben, wenden Sie sich bitte an 3M.

2.0 VERWENDUNG DES SYSTEMS

2.1 RETTUNGSPLAN: Beim Verwenden dieser Ausrüstung und dem Anschließen der Teilsysteme muss der Arbeitgeber über einen Rettungsplan und die Mittel zu dessen Durchführung verfügen. Außerdem muss er den Plan den Benutzern¹, den autorisierten Fachkräften² und den Rettungskräften³ übermitteln.

2.2 INSPEKTIONSHÄUFIGKEIT: Der Ganzkörper-Auffanggurt muss vor jeder Verwendung vom Benutzer und zusätzlich mindestens einmal jährlich durch einen anderen Sachkundigen⁴ als dem Benutzer inspiziert⁵ werden. Die Inspektionsverfahren sind im Abschnitt „Prüf- und Wartungsprotokoll“ der Benutzeranleitung beschrieben. Tragen Sie die Ergebnisse jeder Überprüfung durch einen Sachkundigen in das „Inspektions- und Wartungsprotokoll“ ein oder zeichnen Sie die Prüfungen mittels eines Identifizierungssystems für Radiofrequenzen auf (siehe „Inspektion“).

Wenn infolge der Komplexität oder innovativen Ausführung der Ausrüstung von 3M gefordert oder wenn für die Demontage, Montage oder Beurteilung der Ausrüstung die Kenntnisse eines Sachverständigen benötigt werden, dürfen die regelmäßigen Untersuchungen nur von 3M oder von 3M beauftragten Personen oder Organisationen durchgeführt werden.

2.3 KOMPATIBILITÄT DER KOMPONENTEN: Die Ausrüstung von 3M ist nur zur Verwendung mit den von 3M freigegebenen Komponenten und Subsystemen ausgelegt. Ein Austausch durch nicht genehmigte Komponenten oder Teilsysteme kann die Kompatibilität der Ausrüstung aufs Spiel setzen und die Sicherheit und Zuverlässigkeit des kompletten Systems gefährden.

2.4 KOMPATIBILITÄT DER VERBINDUNGSELEMENTE: Verbindungsmittel sind mit Verbindungselementen kompatibel, wenn sie in Größe und Form so konzipiert sind, dass sie zusammenarbeiten, ohne dass sich ihre Verschlussmechanismen unabhängig von der Ausrichtung versehentlich öffnen könnten. Kontaktieren Sie 3M, wenn Sie Fragen zur Kompatibilität haben. Verbindungselemente (Haken, Karabiner und Auffanggürt) müssen für eine Belastung von mindestens 22 kN (4 946 lbf) ausgelegt sein. Die Verbindungselemente müssen mit der Verankerung oder anderen Systemkomponenten kompatibel sein. Verwenden Sie keine Ausrüstung, die nicht kompatibel ist. Nicht kompatible Verbindungselemente könnten sich versehentlich lösen (siehe Abbildung 5). Die Verbindungselemente müssen in Größe, Form und Belastbarkeit kompatibel sein. Wenn das Verbindungselement, an dem der Karabinerhaken (siehe Abbildung) befestigt wird, zu klein ist oder eine unregelmäßige Form aufweist, kann es dazu kommen, dass das Verbindungselement Druck auf den Verschluss des Karabinerhakens ausübt. Dieser Druck kann dazu führen, dass sich der Verschluss öffnet, sodass sich der Karabiner vom Verbindungspunkt löst. Es sind selbstschließende Karabinerhaken erforderlich.

2.5 VERBINDUNGSHERSTELLUNG: Verwenden Sie mit dieser Ausrüstung nur selbstschließende Karabinerhaken. Verwenden Sie für jede Anwendung nur geeignete Verbindungselemente. Stellen Sie sicher, dass alle Verbindungen bezüglich Größe, Form und Stärke kompatibel sind. Verwenden Sie keine Ausrüstung, die nicht kompatibel ist. Vergewissern Sie sich, dass alle Verbindungselemente vollständig geschlossen und verriegelt sind.

Verbindungselemente von 3M (Schnapphaken und Karabiner) dürfen nur wie in der Bedienungsanleitung des jeweiligen Produktes angegeben verwendet werden. Abbildung 6 zeigt ungeeignete Verbindungselemente. 3M Karabinerhaken und Karabiner dürfen nicht eingehängt werden:

- A. Bei einer Auffangöse, an der ein anderes Verbindungselement befestigt ist.
- B. Auf eine Weise, die den Verschluss belastet.
- C. An einem falschen Rasthaken, wenn Teile des Verankerungs-Karabinerhakens oder des Karabinerhakens vorstehen, die sich in der Verankerung verfangen können, und ohne dass visuell geprüft werden kann, ob das Verbindungselement voll in der Verankerung eingerastet ist.
- D. Aneinander.
- E. Direkt an einem Gurtband, Verbindungsseil oder Zugband (außer die Anweisungen des Herstellers erlauben ausdrücklich den Anschluss des Verbindungsmittels und Verbindungselementes).
- F. An ein Objekt, das eine Größe und Form aufweist, die das Öffnen oder Schließen des Hakens oder Karabiners verhindern würde oder die dazu führt, dass sich der Haken löst.
- G. Auf eine Weise, in der sich das Verbindungselement unter Last nicht richtig ausrichten kann.

2.6 VERBINDUNGS-TEILSYSTEME: Verbindungs-Teilsysteme (Höhensicherungsgeräte, Verbindungsmittel, mitlaufende Auffanggeräte und Sicherungsseile, Kabelmuffen etc.) müssen für Ihre Anwendung ausgelegt sein (siehe Abschnitt 1.1). Weitere Informationen finden Sie in der Gebrauchsanweisung des Herstellers der Teilsysteme. Einige Auffanggurtmodelle sind mit Verbindungspunkten für Stegsschlaufen versehen. Verwenden Sie keine Karabinerhaken, um die Teilsysteme mit den Stegsschlaufen zu verbinden. Verwenden Sie stattdessen einen selbstschließendenden Karabiner. Stellen Sie sicher, dass der Karabiner nicht die Verschlussstelle belasten kann (Last liegt an der Verschlussstelle statt entlang der Hauptachse des Karabiners an). Einige Verbindungsmittel sind so ausgeführt, dass sie sich um eine Stegsschleife wickeln lassen, um eine kompatible Verbindung herzustellen. Die Verbindungsmittel können direkt auf die Stegsschleife genähert werden, wodurch eine dauerhafte Verbindung entsteht. Nähen Sie nicht mehrere Verbindungselemente auf eine Stegsschleife, es sei denn, Sie wickeln zwei Verbindungsmittel auf eine korrekt dimensionierte Stegsschleife. Umwickeln einer Stegsschleife mit dem Verbindungsmittel (Abbildung 7): A) Führen Sie die Stegsschleife des Verbindungsmittels durch die Stegsschleife oder Auffangöse am Auffanggurt. B) Führen Sie das entsprechende Ende des Verbindungsmittels durch die Stegsschleife des Verbindungsmittels. C) Zum Sichern ziehen Sie das Verbindungsmittel durch die Verbindungs-Stegsschleife.

2.7 VERBINDUNGSMITTEL-AUFBEWAHRUNGSPUNKTE: Abbildung 8 zeigt die Verbindungsmittel-Aufbewahrungspunkte. Der Verbindungsmittelhalter ist zum Befestigen des freien Endes eines Verbindungsmittels oder einer am Auffanggurt montierten Selbsteinzugsvorrichtung vorgesehen, wenn diese zum Zweck der Absturzsicherung nicht am Verankerungspunkt angebracht sind. Befestigungen für Verbindungsmittel-Aufbewahrungspunkte dürfen niemals als Absturzsicherungs-Befestigungselemente am Auffanggurt für die Verbindung von Verbindungsmitteln oder Selbsteinzugsvorrichtungen (A) verwendet werden. Wenn es nicht mit einem Anschlaghilfsmittel verbunden ist, muss ein loses Gurtband des Verbindungsmittels ordnungsgemäß am Auffanggurt (B) aufbewahrt oder in der Hand des Benutzers gesichert sein, wie bei der 100 %-Sicherung mit HSG (Tie-Off) (C). Frei hängende Gurtbänder des Verbindungsmittels (D) können zum Stolpern oder Hängenbleiben des Benutzers und somit zu Stürzen führen.

1 Benutzer: Eine Person, die Höhenarbeiten ausführt und dabei durch ein persönliches Absturzsicherungssystem geschützt wird.

2 Autorisierte Fachkraft: Eine Person, die vom Arbeitgeber dazu bestimmt ist, Aufgaben an einem Ort auszuführen, an dem sie einer Absturzgefahr ausgesetzt ist.

3 Rettungskraft: Person oder Personen außer der verunfallten Person, die mithilfe technischer Rettungs- und Bergungsmittel eine Rettungs- bzw. Bergungssaktion vornehmen.

4 Sachkundiger: Eine Person, die in der Lage ist, bestehende und vorhersehbare Risiken in der Umgebung oder bei Arbeitsbedingungen zu erkennen, die für Mitarbeiter gesundheitsgefährdend, gefährlich oder risikoreich sind, und die befugt ist, sofort korrigierende Maßnahmen zu ergreifen, um diese Risiken und Gefährdungen zu beseitigen.

5 Inspektionshäufigkeit: Extreme Arbeitsbedingungen (raue Umweltbedingungen, andauernde Verwendung usw.) können eine häufigere Überprüfung durch einen Sachkundigen erforderlich machen.

3.0 VERWENDUNG DES AUFFANGGURTS

3.1 VOR JEDER VERWENDUNG muss die Ausrüstung gemäß dem „Prüf- und Wartungsprotokoll“ (Tabelle 1) überprüft werden.

3.2 Das System muss vor der Verwendung genau geplant werden. Bedenken Sie alle Faktoren, die Ihre Sicherheit während der Verwendung dieser Ausrüstung beeinträchtigen. Die folgende Liste enthält wichtige Punkte, die bei der Planung des Systemeinsatzes in Betracht gezogen werden müssen:

- **Verankerung:** Wählen Sie eine Verankerung, die die Anforderungen an die statische Belastbarkeit der Absturzsicherung für die jeweilige Anwendung erfüllt (siehe Abschnitt 1.1). Die Verankerungsstelle muss wie in Abschnitt 1.4 beschrieben für freien Fall, Fallraum, Pendelsturz und umgebungsbedingte Einschränkungen geeignet sein.
- **Scharfe Kanten:** Vermeiden Sie es, an Stellen zu arbeiten, an denen die Systemkomponenten scharfe Kanten berühren oder daran scheuern.
- **Nach einem Absturz:** Nehmen Sie alle Komponenten, die den Kräften eines aufgefangenen Absturzes ausgesetzt waren, unverzüglich außer Betrieb und vernichten Sie diese.
- **Rettung:** Der Arbeitgeber muss über einen Rettungsplan verfügen, wenn diese Ausrüstung eingesetzt wird. Der Arbeitgeber muss imstande sein, schnell und sicher eine Rettungsmaßnahme auszuführen.
- **Rettungsauffanggurt:** Rettungsauffanggurte (EN1497) sind bei normalen Tätigkeiten zu tragen. Bevor die Befestigungselemente für den Rettungsauffanggurt zum ersten Mal verwendet werden, sollte der Benutzer einen gefahrlosen Hängetest durchführen, um sicherzustellen, dass der Auffanggurt die richtige Größe hat und während des Hängens optimalen Komfort bietet.
- **Arbeitspositionierung:** Denken Sie beim Einsatz von Arbeitspositionierungssystemen daran, ein zusätzliches Höhensicherungssystem zu verwenden (z. B. ein Absturzsicherungssystem). Verwenden Sie immer einen Ankerpunkt in oder über der Taille.

3.3 SCHNALLEN: Die Ganzkörper-Auffanggurte sind mit verschiedenen Schnallen ausgestattet, mit denen die Beinschlaufen und Schultergurte befestigt und justiert werden. Die Haltegurte des Auffangsystems sind mit einem Steckverschluss versehen. Die Schnallen an Ihrem Auffanggurt sind in Abbildung 1 zu sehen. In Abbildung 9 ist die Funktionsweise der folgenden Schnallen dargestellt:

1. Schnellverschlusschnallen:

- A. Zur Befestigung der Schnellverschlusschnallen muss die Lasche in den Aufnahmeschlitz eingeführt werden, bis ein Klicken zu hören ist.
- B. Zur Einstellung des Verankerungsgurtes: Ziehen Sie den Verankerungsgurt durch den Schnallenschlitz nach vorne oder hinten, um den Gurt anzuziehen oder zu lösen.
- C. Zum Lösen der Schnellverschlusschnalle: Drücken Sie die Verriegelungshebel an beiden Seiten der Aufnahme. Ziehen Sie die Lasche aus dem Aufnahmeschlitz.

2. Durchzugsschnallen:

- A. Führen Sie das „männliche“ Schnallenteil durch den Schlitz des „weiblichen“ Schnallenteils.
- B. Ziehen Sie das lose Band an, bis das „männliche“ Schnallenteil bündig mit dem „weiblichen“ Schnallenteil ist. Sichern Sie das lose Gurtband in dem Gurthalter.

3.4 EINSTELLUNGEN: Auffanggurte verfügen über ein Paar Feststeller für den Oberkörper für die Einstellung der Schultergurte. Abbildung 10 zeigt die Einstellung der Feststeller für den Oberkörper:

1. Parachute-Feststeller für den Oberkörper: Einstellen der Schultergurte mit den Parachute-Feststellern für den Oberkörper:

- A. Ziehen Sie am losen Gurt, um den Schultergurt anzuziehen. Ziehen Sie am losen Gurt und führen Sie den Gurt dann durch den Parachute-Feststeller, um den Schultergurt zu lösen.
- B. Wenn der Gurt ordnungsgemäß justiert ist, sichern Sie den freien Gurt im Gurthalter.

Wenn die Klettbandenverwaltung (siehe Abbildung 11) vorhanden ist, rollen Sie den freien Gurt zurück, bis er fest ist (A), verbinden Sie die Klettbänder wieder über dem Gurt und sichern Sie die Streifen (B). Stellen Sie sicher, dass die Rolle fest sitzt und der Gurthalter in der Nähe der Rolle verschoben ist (C).

3.5 ANLEGEN UND ANPASSEN DES GANZKÖRPER-AUFFANGGURTS: In Abbildung 13 ist das Anlegen und Anpassen des Ganzkörper-Auffanggurts gezeigt. Vor jeder Verwendung muss der Auffanggurt anhand der Prüfliste im „Prüf- und Wartungsprotokoll (Tabelle 1)“ überprüft werden. Anlegen und Anpassen des Auffanggurts:

Die Verfahren zum Festschnallen und Justieren der Gurte des Auffanggurts hängen vom jeweiligen Modell ab. Für Einzelheiten siehe Abschnitt 3.3 bis 3.4 und die Abbildungen 9 und 10.

1. Heben Sie den Auffanggurt an der hinteren Auffangöse hoch und halten Sie ihn fest. Vergewissern Sie sich, dass die Gurte nicht verdreht sind.
2. Fassen Sie die Schultergurte und streifen Sie den Auffanggurt über einen Arm. Die hintere Auffangöse befindet sich an Ihrem Rücken. Vergewissern Sie sich, dass die Gurte nicht verheddert sind und frei herunterhängen. Stecken Sie den freien Arm in den Auffanggurt und positionieren Sie die Schultergurte auf den Schultern. Bei richtig angelegtem Auffanggurt befinden sich Brustgurt und Brustverschluss an der Vorderseite.
3. Greifen Sie zwischen den Beinen nach dem rechten Beingurt, ziehen Sie diesen nach oben und stecken Sie die Schnalle in die passende Schnalle an der rechten Hüfte. Justieren Sie den Beingurt, bis er optimal sitzt (siehe Abschnitt 3.3 für die Funktionsweise der Schnalle). Wenn der Gurt korrekt eingestellt ist, verstauen Sie das lose Ende des Beingurts unter dem Gurthalter. Wiederholen Sie diesen Vorgang zum Festschnallen und Justieren der linken Beinschlaufen.
4. Steckverschluss-Hüftgurt bei Bedarf festschnallen und justieren. (Siehe Abschnitt 3.3 für den Betrieb des Steckverschlusses.)
5. Justieren und ziehen Sie den Brustgurt fest (Anweisungen für die Bedienung des Steckverschlusses sind in Abschnitt 3.3 enthalten). Der Brustgurt sollte 15 cm (6 in.) Abstand zum oberen Ende Ihrer Schultern haben. Nach dem Justieren stecken Sie das lose Ende des Brustgurts unter den Gurthalter.

6. Justieren Sie die Schultergurte mithilfe der Feststeller für den Oberkörper für einen enganliegenden Sitz (Anweisungen für die Bedienung der Feststeller finden Sie in Abschnitt 3.4). Der linke und der rechte Schultergurt sollte auf die gleiche Länge justiert werden und der Brustgurt sollte im unteren Brustbereich zentriert sein und 15 cm (6 in.) Abstand zum oberen Ende der Schultern haben. Die hintere Auffangöse sollte zwischen Ihren Schulterblättern zentriert sein. Die vordere Brust-Auffangöse, falls verwendet, sollte sich seitlich innerhalb von 5 cm (2 in.) von der vertikalen Mittellinie des Auffanggurtes befinden.

Kontrollieren Sie regelmäßig die Befestigungs- und Einstellelemente während des Gebrauchs.

3.6 VERWENDUNG DER ABSTURZSICHERUNG-AUFFANGÖSE ODER DES BEFESTIGUNGSELEMENTS: Ankerpunkte für die Absturzsicherung sind mit dem Großbuchstaben „A“ gekennzeichnet. Für Absturzsicherung-Anwendungen verbinden Sie die hintere Auffangöse oder das Befestigungselement auf Ihrem Rücken zwischen den Schulterblättern, oder die Brust-Auffangösen an der Vorderseite Befestigungselement auf der Brust. Die seitlichen Auffangösen, falls verwendet, dienen ausschließlich zum Positionieren oder Rückhalten. Die Schulter-Befestigungen dienen ausschließlich für die Rettung oder Bergung. Die Brust-Auffangösen an der Vorderseite sind für das Aufsteigen auf Leitern oder zum Positionieren bestimmt. Auffangösen an einem Hängesitz sind ausschließlich für die Aufhängung oder Positionierung bestimmt. (Siehe Abschnitt 1.1.)

3.7 HERSTELLEN VON VERBINDUNGEN: Beim Verbinden einer Verankerung mittels Haken oder beim Koppeln von Systemkomponenten muss sichergestellt werden, dass kein Herausrollen möglich ist. Roll-Outs können passieren, wenn durch eine fehlerhafte Verbindung von Haken und Gegenstück sich der Hakenverschluss unbeabsichtigt öffnet und auslöst. Die Verwendung selbstschließender Karabinerhaken vermindert das Risiko eines Rollouts. Verwenden Sie keine Haken oder Verbindungselemente, die sich nicht vollständig über dem angehängten Objekt schließen. Weitere Informationen zum Herstellen der Verbindungen finden Sie in der Gebrauchsanweisung des Herstellers der Teilkomponenten.

3.8 VERBINDEN DER SYSTEMKOMPONENTEN: Nach Anpassung des Auffanggurtes kann der Benutzer die Verbindung mit anderen Systemkomponenten herstellen. Dazu sind die in Abschnitt 2 enthaltenen Richtlinien und die Anweisungen des Komponentenherstellers zu beachten.

4.0 INSPEKTION

4.1 INSPEKTIONSHÄUFIGKEIT: Der Ganzkörper-Auffanggurt muss in den in Abschnitt 2.2 vorgegebenen Zeitabschnitten inspiziert werden. Die Inspektionsaktivitäten werden im „Inspektions- und Wartungsprotokoll“ (Tabelle 1) beschrieben.

4.2 DEFEKTE: Falls die Überprüfung einen mangelhaften Zustand ergeben sollte, verwenden Sie den Gurt nicht mehr und machen Sie ihn unbrauchbar.

4.3 PRODUKTLEBENSDAUER: Die Haltbarkeit des Auffanggurtes hängt von den Arbeitsbedingungen und der Wartung ab. Die maximale Lebensdauer kann von einem Jahr bei starker Nutzung unter Extrembedingungen bis zu 10 Jahren bei leichter Nutzung unter unproblematischen Bedingungen reichen. Solange das Produkt die Prüfkriterien erfüllt, kann es in Betrieb bleiben maximal 10 Jahre.

5.0 WARTUNG, REPARATUR UND LAGERUNG

Reinigen oder desinfizieren Sie das Produkt nicht mit anderen als den in den folgenden Reinigungsanweisungen beschriebenen Methoden. Andere Methoden können nachteilige Auswirkungen auf das Produkt oder den Anwender haben.

5.1 REINIGUNG: 3M-Ganzkörperauffanggurte müssen in Übereinstimmung mit den Anweisungen von 3M gereinigt werden. Zum Reinigen des Auffanggurtes waschen Sie ihn in einem milden, bleichmittelfreien Waschmittel und spülen ihn dann ab. Der Auffanggurt sollte anschließend lufttrocknend aufgehängt werden. Das für die Reinigung verwendete Wasser und die Temperaturen für die Lufttrocknung sollten niemals 54,4 °C (130 °F) überschreiten. Weitere Informationen finden Sie im technischen Bulletin auf unserer Website: <http://www.3M.com/FallProtection/WebCleaning>


Bei Fragen zu Reinigungsverfahren wenden Sie sich bitte an den Technischen Dienst von 3M.

5.2 SERVICE: Auffanggurte können nicht repariert werden. Wenn der Auffanggurt einen Sturz aufgefangen hat oder wenn bei der Inspektion ein unsicherer oder mangelhafter Zustand festgestellt wird, nehmen Sie den Auffanggurt außer Betrieb und zerstören Sie diesen.

5.3 LAGERUNG UND TRANSPORT: Lagern und transportieren Sie die Ganzkörper-Auffanggurte in kühler, trockener und sauberer Umgebung, vor direkter Sonneneinstrahlung geschützt. Setzen Sie das Produkt keinen chemischen Dämpfen aus. Überprüfen Sie den Auffanggurt nach längerer Lagerungszeit sorgfältig.

6.0 BESCHRIFTUNG

In Abbildung 14 sind die Produktetiketten und deren Lage am Ganzkörper-Auffanggurt gezeigt. Alle Aufkleber müssen vorhanden und vollständig lesbar sein. Folgende Angaben sind auf jedem Aufkleber enthalten:

1	(A) Anschlagpunkt für Absturzsicherung, gekennzeichnet durch Großbuchstaben "A" (B) Beschriftungsort
2	(A) Prüfprotokoll (B) Seriennummer (C) Anfangsdatum (D) Datum (E) Dieses Etikett nicht entfernen.
3	(A) Etikett mit Benutzerinformationen
4	(A) Seriennummer (B) Herstellungsmonat (C) Herstellungsjahr (D) Chargennummer (E) Modell-Nr (F) Europäischer Standard (G) Kapazität (H) Größe (I)  Siehe Anweisungen (J) CE-Zeichen (K) Nummer der benannten Stelle zur Überprüfung der Typenkonformität (L) Körpergürtel Größe

Παρακαλούμε διαβάστε, κατανοήστε και ακολουθήστε όλες τις πληροφορίες ασφαλείας σε αυτές τις οδηγίες πριν από τη χρήση της εξάρτησης πλήρους σώματος. ΕΑΝ ΔΕΝ ΤΗΡΗΣΕΤΕ ΤΑ ΠΑΡΑΠΑΝΩ, ΜΠΟΡΕΙ ΝΑ ΠΡΟΚΛΗΘΕΙ ΣΟΒΑΡΟΣ ΤΡΑΥΜΑΤΙΣΜΟΣ Ή ΘΑΝΑΤΟΣ.

Οι οδηγίες αυτές πρέπει να παρέχονται στον χρήστη του εξοπλισμού αυτού. Διατηρήστε αυτές τις οδηγίες για μελλοντική αναφορά.

Προβλεπόμενη χρήση:

Αυτή η εξάρτηση πλήρους σώματος προορίζεται για χρήση ως μέρος ενός συστήματος ή/και εξοπλισμού πλήρους προστασίας από πτώσεις.

Η χρήση σε οποιαδήποτε άλλη εφαρμογή που περιλαμβάνει, αλλά δεν περιορίζεται σε, χειρισμό υλικών, ψυχαγωγικές ή αθλητικές δραστηριότητες, ή άλλες δραστηριότητες οι οποίες δεν περιγράφονται στις Οδηγίες Χρήστη, δεν είναι εγκεκριμένη από την 3M και μπορεί να προκαλέσει σοβαρό τραυματισμό ή θάνατο.

Αυτό το σύστημα προορίζεται αποκλειστικά για χρήση από εκπαιδευμένους χρήστες σε εφαρμογές στον χώρο εργασίας.



ΠΡΟΕΙΔΟΠΟΙΗΣΗ

Αυτή η εξάρτηση πλήρους σώματος είναι μέρος ενός συστήματος πλήρους προστασίας από πτώσεις. Αναμένεται ότι όλοι οι χρήστες είναι πλήρως εκπαιδευμένοι στην ασφαλή εγκατάσταση και λειτουργία του ατομικού συστήματος προστασίας έναντι πτώσης. **Η λανθασμένη χρήση αυτού του συστήματος μπορεί να προκαλέσει σοβαρό τραυματισμό ή θάνατο.** Για την κατάλληλη επιλογή, λειτουργία, εγκατάσταση, συντήρηση και σέρβις, ανατρέξτε σε αυτές τις Οδηγίες Χρήστη και σε όλες τις συστάσεις του κατασκευαστή, απευθυνθείτε στον προϊστάμενό σας, ή επικοινωνήστε με την Τεχνική Υποστήριξη της 3M.

- **Για τη μείωση των κινδύνων που σχετίζονται με την εργασία με εξάρτηση πλήρους σώματος, οι οποίοι αν δεν αποφευχθούν, μπορεί να οδηγήσουν σε σοβαρό τραυματισμό ή θάνατο:**
 - Επιθεωρείτε τη συσκευή πριν από κάθε χρήση, τουλάχιστον ετησίως και ύστερα από οποιοδήποτε συμβάν πτώσης. Επιθεωρείτε σύμφωνα με τις Οδηγίες Χρήστη.
 - Αν η επιθεώρηση αποκαλύψει μη ασφαλή ή ελαττωματική κατάσταση, θέστε τη συσκευή εκτός χρήσης και καταστρέψτε την.
 - Αν μια συσκευή έχει υποστεί ανακοπή πτώσης ή δύναμη πρόσκρουσης πρέπει να τεθεί άμεσα εκτός χρήσης και να καταστραφεί.
 - Βεβαιωθείτε ότι η εξάρτηση έχει φορεθεί σωστά, στο κατάλληλο μέγεθος και είναι κατάλληλα προσαρμοσμένη.
 - Βεβαιωθείτε ότι όλα τα συνδετικά υποσυστήματα (π.χ. αναδέτες) φυλάσσονται μακριά από κάθε κίνδυνο, συμπεριλαμβανομένου, μεταξύ άλλων, του μπλεξιματος με άλλους εργάτες, τον εαυτό σας και με μετακινούμενα μηχανήματα ή άλλα παρευρισκόμενα αντικείμενα.
 - Βεβαιωθείτε ότι τα συστήματα/υποσυστήματα προστασίας από πτώσεις τα οποία συναρμολογούνται από εξαρτήματα που έχουν κατασκευαστεί από άλλους κατασκευαστές είναι συμβατά και πληρούν τις απαιτήσεις των ισχυόντων προτύπων, συμπεριλαμβανομένου του ANSI Z359 ή άλλων ισχυόντων κωδικών, προτύπων ή απαιτήσεων προστασίας από πτώσεις. Να συμβουλευέστε πάντα ένα ικανό ή καταρτισμένο άτομο πριν από τη χρήση αυτών των συστημάτων.
- **Για τη μείωση των κινδύνων που σχετίζονται με την εργασία σε ύψος, οι οποίοι αν δεν αποφευχθούν, μπορεί να προκαλέσουν σοβαρό τραυματισμό ή θάνατο:**
 - Βεβαιωθείτε ότι η υγεία σας και η φυσική σας κατάσταση σας επιτρέπουν να αντιμετωπίσετε τις δυνάμεις που συνδέονται με την εργασία σε ύψος. Συμβουλευθείτε τον γιατρό σας αν έχετε ερωτήσεις σχετικά με τη δυνατότητά σας να χρησιμοποιήσετε αυτόν τον εξοπλισμό.
 - Ποτέ μην ξεπερνάτε τα επιτρεπόμενα όρια του εξοπλισμού προστασίας από πτώσεις.
 - Ποτέ μην ξεπερνάτε το ανώτατο όριο απόστασης ελεύθερης πτώσης του εξοπλισμού προστασίας από πτώσεις.
 - Μην χρησιμοποιείτε κανέναν εξοπλισμό προστασίας από πτώσεις ο οποίος είναι ακατάλληλος πριν από την χρήση ή αν δεν έχει περάσει προγραμματισμένους ελέγχους με επιτυχία, ή αν ανησυχείτε για τη χρήση του ή για την καταλληλότητά του. Επικοινωνήστε με την Τεχνική Υποστήριξη της 3M για οποιοδήποτε ερωτήσες.
 - Ορισμένοι συνδυασμοί υποσυστημάτων και εξαρτημάτων μπορεί να επηρεάσουν τη λειτουργία του εξοπλισμού αυτού. Χρησιμοποιείτε μόνο συμβατές συνδέσεις. Συμβουλευτείτε την 3M πριν χρησιμοποιήσετε τον εξοπλισμό σε συνδυασμό με εξαρτήματα ή υποσυστήματα διαφορετικά από αυτά που περιγράφονται στις Οδηγίες Χρήστη.
 - Να είστε εξαιρετικά προσεκτικοί κατά την εργασία κοντά σε κινούμενα μηχανήματα (π.χ. κινητήρες Top Drive σε πετρελαϊκές εξέδρες), ηλεκτρικό ρεύμα, ακραίες θερμοκρασίες, επικίνδυνα χημικά, εκρηκτικά ή τοξικά αέρια, αιχμηρές άκρες ή κάτω από υλικά τα οποία μπορεί να πέσουν πάνω σας ή πάνω στον εξοπλισμό προστασίας από πτώσεις.
 - Κατά την εργασία σε χώρους με υψηλή θερμοκρασία χρησιμοποιήστε συστήματα Arc Flash ή Hot Works.
 - Αποφεύγετε επιφάνειες και αντικείμενα τα οποία μπορεί να προκαλέσουν τραυματισμό στον χρήστη ή ζημιά στον εξοπλισμό.
 - Βεβαιωθείτε ότι υπάρχει επαρκές κενό πτώσης κατά την εργασία σε ύψος.
 - Μην πραγματοποιείτε αλλαγές ή τροποποιήσεις στον εξοπλισμό προστασίας από πτώσεις. Μόνο η 3M ή γραπτός εξουσιοδοτημένος αντιπρόσωπος της 3M μπορούν να κάνουν επισκευές σε αυτό τον εξοπλισμό.
 - Πριν από τη χρήση του εξοπλισμού προστασίας από πτώσεις, βεβαιωθείτε ότι έχει εκπονηθεί ένα σχέδιο διάσωσης το οποίο επιτρέπει την άμεση διάσωση σε περίπτωση πτώσης.
 - Στην περίπτωση πτώσης, αναζητήστε αμέσως ιατρική βοήθεια για τον εργαζόμενο ο οποίος υπέστη την πτώση.
 - Μην χρησιμοποιείτε ζώνη συγκράτησης του κορμού για την αναστολή πτώσεων. Χρησιμοποιείτε μόνο ιμάντες πρόσδεσης σώματος.
 - Περιορίστε τις πτώσεις με ταλάντωση, δουλεύοντας, όσο αυτό είναι δυνατό, ακριβώς κάτω από το σημείο αγκίστρωσης.
 - Αν πραγματοποιείτε εκπαίδευση με αυτήν τη συσκευή, πρέπει να χρησιμοποιείτε ένα δευτερεύον σύστημα προστασίας από πτώσεις έτσι ώστε ο εκπαιδευόμενος να μην εκτίθεται σε ακούσιο κίνδυνο πτώσης.
 - Να φοράτε πάντα κατάλληλο προσωπικό εξοπλισμό προστασίας κατά την εγκατάσταση, χρήση, ή επιθεώρηση της συσκευής/συστήματος.

Πριν από τη χρήση του εξοπλισμού αυτού καταγράψτε τα στοιχεία αναγνώρισης του προϊόντος που βρίσκονται στην ετικέτα Ταυτότητα στο «Ημερολόγιο Επιθεώρησης και Συντήρησης» στο πίσω μέρος του εγχειριδίου αυτού.

Διασφαλίζετε πάντα ότι χρησιμοποιείτε την τελευταία έκδοση του εγχειριδίου οδηγιών της 3M. Επισκεφθείτε την ιστοσελίδα της 3M ή επικοινωνήστε με το τμήμα Τεχνικής Υποστήριξης της 3M για ενημερωμένα εγχειρίδια οδηγιών.

ΠΕΡΙΓΡΑΦΗ

Η Εικόνα 1 προσδιορίζει μοντέλα για Ολόσωμες Προσδέσεις 3M™ Protecta®. Τα μοντέλα πρόσδεσης είναι διαθέσιμα σε διάφορους συνδυασμούς με τα ακόλουθα χαρακτηριστικά:

	Αναφορά σχήματος 1:	Περιγραφή:
Μεγέθη	S, M/L, XL	Μικρό, Μεσαίο/Μεγάλο, Πολύ Μεγάλο
	Ⓑ	Μέγεθος ιμάντα σώματος σε cm
Στοιχεία Προσάρτησης	①	Ραχιαίος Κρίκος D
	②	Θωρακικός Κρίκος D
	③	Κρίκος D Γοφού
	④	Προσάρτηση Ώμων
Πόρπες	⑤	Πόρπες Ταχείας Σύνδεσης
	⑥	Ολόσωμες Πόρπες
Προσαρμογείς	⑦	Προσαρμογείς Σώματος Αλεξιπτώτου
Επιθέματα	⑧	Ζώνη και Μαξιλαράκι Γοφών
	⑨	Επίθεμα ποδιού
Πρόσθετα Χαρακτηριστικά	⑩	Αυτό-Επαναρυθμιζόμενα Ασφάλιστρα Απελευθέρωσης Κορδονιού
	⑪	Διαχείριση Άκρων Ιστού - βλ. Εικόνα 11
	⑫	βρόχο οργάνου
	⑬	Ζώνη διάσωσης

ΠΡΟΔΙΑΓΡΑΦΕΣ

Απόδοση:	
Μέγιστη δύναμη συγκράτησης:	6 kN (1 349 lbf)
Δυνατότητα:	140 kg (310 lb.)
Θερμοκρασία λειτουργίας:	Ελάχιστη: -35°C (-31°F) Μέγιστη: +57°C (135°F)

Υλικά:	
Ιμάντας	Πολυεστέρας - 22 kN (4 946 lbf) Αντοχή Εφελκυσμού
Καλύμματα Μαξιλαριών	Μείγμα Νάilon και Πολυεστέρα
Κάλυμμα Ετικέτας	Μείγμα Νάilon και Πολυεστέρα
Νήμα	Νήμα Πολυεστέρα ή Ιμάντας Πολυεστέρα
Κρίκοι D	Κράμα Ατσαλιού - 22 kN (4 946 lbf) Αντοχή Εφελκυσμού
Πόρπες Ταχείας Σύνδεσης	Ατσάλι, Ανοξειδωτο Ατσάλι, Κράμα Ατσαλιού - 18 kN (4 047 lbf)
Ολόσωμες Πόρπες	Κράμα Ατσαλιού - 18 kN (4 047 lbf) Αντοχή Εφελκυσμού
Προσαρμογείς Σώματος Αλεξιπτώτου	Κράμα Ατσαλιού - 18 kN (4 047 lbf) Αντοχή Εφελκυσμού

1.0 ΕΦΑΡΜΟΓΕΣ

1.1 ΣΚΟΠΟΣ: Οι Ολόσωμες Προσδέσεις πρέπει να χρησιμοποιούνται ως εξαρτήματα στο Προσωπικό Σύστημα Προστασίας Πτώσης που έχει σχεδιαστεί για να εμποδίζει μια πτώση ή να διακόπτει με ασφάλεια μια πτώση (βλ. Εικόνα 2). Οι Ολόσωμες Προσδέσεις χρησιμοποιούνται στις ακόλουθες εφαρμογές:

Α	Ανάσχεση Πτώσης (EN360, EN361, EN355): Τα προσωπικά συστήματα συγκράτησης πτώσης συμπεριλαμβάνουν την Ολόσωμη Πρόσδεση και ένα συνδετικό υποσύστημα (Ενεργειακό Απορροφητικό Κορδόνι, Συσκευή Αυτο-Αναδιπλώσης κλπ.) Η μέγιστη δύναμη συγκράτησης δεν πρέπει να υπερβαίνει τους 6 kN (1 349 lbf). <i>Δύναμη αγκίστρωσης:</i> Η επιλεγμένη αγκίστρωση πρέπει να αντέχει φορτία 12 kN (2 698 lbf) ή μεγαλύτερα.
Β	Τοποθετήσεις Εργασίας (EN358, EN813): Τα συστήματα τοποθέτησης εργασίας τυπικά συμπεριλαμβάνουν Ολόσωμη Πρόσδεση, κορδόνι τοποθέτησης, και αναπληρωματικό προσωπικό σύστημα για ανάσχεση πτώσης. Για εφαρμογές τοποθέτησης εργασίας, συνδέστε το υποσύστημα τοποθέτησης εργασίας (παράδειγμα: κορδόνι, Υ-κορδόνι, κλπ.) στη χαμηλότερη (στο επίπεδο των γοφών) πλευρά ή περιζώστε τα στερεωμένα στοιχεία αγκίστρωσης προσάρτησης τοποθέτησης εργασίας (Κρίκοι-D). Ποτέ μη χρησιμοποιείτε αυτά τα σημεία σύνδεσης για ανάσχεση πτώσης. <i>Στοιχεία Προσάρτησης:</i> Πρόσθιο, Γοφών. <i>Δύναμη αγκίστρωσης:</i> Η επιλεγμένη αγκίστρωση πρέπει να αντέχει φορτία 12 kN (2 698 lbf) ή μεγαλύτερα.
Γ	Αναρρίχηση (EN353-1): Η Ολόσωμη Πρόσδεση χρησιμοποιείται ως εξάρτημα ενός συστήματος αναρρίχησης για να εμποδίσει την πτώση του χρήστη όταν ανεβαίνει μια σκάλα ή άλλη κατασκευή αναρρίχησης. Τα συστήματα αναρρίχησης τυπικά συμπεριλαμβάνουν Ολόσωμη Πρόσδεση, κάθετο καλώδιο ή ράγα προσαρτημένη στη κατασκευή και κάλυμμα αναρρίχησης. Για εφαρμογές αναρρίχησης σε σκάλα, προσδέσεις εφοδιασμένες με ένα πρόσθιο Κρίκο D στη θέση του θώρακα μπορούν να χρησιμοποιηθούν για ανάσχεση πτώσης σε συστήματα σταθερής σκάλας. <i>Στοιχεία Προσάρτησης:</i> Θωρακικό. <i>Δύναμη αγκίστρωσης:</i> Η κατασκευή στην οποία είναι προσαρτημένο το σύστημα αναρρίχησης πρέπει να αντέχει τα φορτία που απαιτούνται από την τεκμηρίωση του κατασκευαστή του συστήματος αναρρίχησης.
Δ	Διάσωση (EN1496, EN1497, EN1498): Η Ολόσωμη Πρόσδεση χρησιμοποιείται ως εξάρτημα ενός συστήματος διάσωσης. Τα συστήματα διάσωσης διαμορφώνονται ανάλογα με τον τύπο διάσωσης. Για εφαρμογές περιορισμένης πρόσβασης (περιορισμένου χώρου), μπορούν να χρησιμοποιηθούν προσδέσεις εφοδιασμένες με Κρίκου D στους ώμους για είσοδο και έξοδο σε περιορισμένους χώρους εκεί που το προφίλ των εργαζομένων έχει σημασία. <i>Στοιχεία Προσάρτησης:</i> Ραχιαία, Θωρακικά, Πρόσθια, Ώμων <i>Δύναμη αγκίστρωσης:</i> Η επιλεγμένη αγκίστρωση πρέπει να αντέχει φορτία 12 kN (2 698 lbf) ή μεγαλύτερα.
Ε	Ελεγχόμενη Κάθοδος (EN341): Για εφαρμογές ελεγχόμενης καθόδου, μπορούν να χρησιμοποιούνται προσδέσεις εφοδιασμένες με ένα μονό Κρίκο-D στο επίπεδο του θώρακα, ένας ή δύο στερεωμένοι Κρίκοι-D, ή ένα ζεύγος συνδετήρων που ξεκινούν κάτω από τη μέση (όπως σε ένα κάθισμα σέλας) για σύνδεση σε ένα σύστημα καθόδου ή εκκένωσης. <i>Στοιχεία Προσάρτησης:</i> Ραχιαία, Θωρακικά, Πρόσθια <i>Δύναμη αγκίστρωσης:</i> Η επιλεγμένη αγκίστρωση πρέπει να αντέχει φορτία 12 kN (2 698 lbf) ή μεγαλύτερα.
ΣΤ	Περιορισμός (EN354): Η Ολόσωμη Πρόσδεση χρησιμοποιείται ως εξάρτημα ενός συστήματος περιορισμού ώστε ο χρήστης να μην χρειαστεί να αντιμετωπίσει κίνδυνο πτώσης. Τα συστήματα περιορισμού συνήθως περιλαμβάνουν μια Ολόσωμη Πρόσδεση και ένα κορδόνι ή μια γραμμή περιορισμού. <i>Στοιχεία Προσάρτησης:</i> Ραχιαία, Θωρακικά, Πρόσθια, Γοφών. <i>Δύναμη Αγκίστρωσης:</i> Η επιλεγμένη αγκίστρωση πρέπει να αντέχει φορτία τουλάχιστον 18 kN (4 047 lbf), όταν τα κορδόνια αναδιπλώσης περιλαμβάνουν οποιοδήποτε στοιχείο κλωστοϋφαντουργίας ή υφασμάτινου κορδονιού, π.χ. χρησιμοποιούνται σχοινιά από συνθετικές ίνες ή ιμάντες. Όταν χρησιμοποιούνται αναδότες κατασκευασμένες εξ ολοκλήρου από μεταλλικά στοιχεία, η αγκύρωση πρέπει να διατηρεί φορτία τουλάχιστον 12 kN (2 698 lbf).

1.2 ΠΡΟΤΥΠΑ: Οι προσδέσεις που συμπεριλαμβάνονται στο παρόν εγχειρίδιο συμμορφώνονται με το/α πρότυπο/α στο εξώφυλλο αυτών των οδηγιών. Εάν το προϊόν μεταπωληθεί εκτός της αρχικής χώρας προορισμού, ο μεταπωλητής πρέπει να παρέχει οδηγίες για τη χρήση, την συντήρηση, την περιοδική εξέταση και για την επισκευή στη γλώσσα της χώρας στην οποία πρόκειται να χρησιμοποιηθεί το προϊόν.

1.3 ΕΚΠΑΙΔΕΥΣΗ: Αποτελεί ευθύνη των χρηστών και των τεχνικών εγκατάστασης αυτού του εξοπλισμού να διασφαλίσουν ότι είναι εξοικειωμένοι με αυτές τις οδηγίες, ότι έχουν εκπαιδευτεί ως προς τη σωστή φροντίδα και τη χρήση αυτού του εξοπλισμού και ότι γνωρίζουν τα χαρακτηριστικά λειτουργίας, τους περιορισμούς εφαρμογής και τις συνέπειες της ακατάλληλης χρήσης αυτού του εξοπλισμού.

1.4 ΠΕΡΙΟΡΙΣΜΟΙ: Πάντα να λαμβάνετε υπόψη τους ακόλουθους περιορισμούς εφαρμογής πριν τη χρήση του παρόντος εξοπλισμού:

- **ΔΥΝΑΤΟΤΗΤΑ:** Η Ολόσωμη Πρόσδεση έχει σχεδιαστεί να χρησιμοποιείται από άτομα με ένα συνδυασμένο βάρος (ρουχισμό, εργαλεία, κλπ.) όχι μεγαλύτερο από 140 kg (309 lb.). Σιγουρευτείτε ότι όλα τα εξαρτήματα του συστήματος σας έχουν αξιολογηθεί για δυνατότητες που είναι κατάλληλες για την εφαρμογή σας.
- **ΕΛΕΥΘΕΡΗ ΠΤΩΞΗ:** Ένα σύστημα ανακοπής πτώσης πρέπει να περιλαμβάνει στοιχεία ή λειτουργίες απορρόφησης ενέργειας, ώστε να εξασφαλίζεται ότι οι δυνάμεις κρούσης στο σώμα του χρήστη κατά τη διακοπή μιας ελεύθερης πτώσης περιορίζονται σε μέγιστο όριο 6 kN (1 349 lbf). Τα συστήματα ανάσχεσης πρέπει να είναι τοποθετημένα με τρόπο που να καθιστά αδύνατη την κάθετη ελεύθερη πτώση. Τα συστήματα τοποθέτησης εργασίας πρέπει να τοποθετούνται με τρόπο που να περιορίζεται η ελεύθερη πτώση στα 60 cm (24 in.) ή σε λιγότερα. Τα συστήματα οδήγησης προσωπικού πρέπει να τοποθετούνται με τρόπο που να είναι αδύνατη η κάθετη ελεύθερη πτώση. Τα συστήματα διάσωσης πρέπει να τοποθετούνται με τρόπο που να είναι αδύνατη η κάθετη ελεύθερη πτώση. Βλ. τις οδηγίες του κατασκευαστή του υποσυστήματος για περισσότερες πληροφορίες.
- **ΑΠΟΣΤΑΣΗ ΠΤΩΞΗΣ:** Το σχήμα 3 απεικονίζει εξαρτήματα ενός συστήματος ανάσχεσης πτώσης. Πρέπει να υπάρχει επαρκής απόσταση πτώσης (FC) για την ανάσχεση μιας πτώσης πριν ο χρήστης έρθει σε επαφή με το έδαφος ή άλλο εμπόδιο. Η επαρκής απόσταση επηρεάζεται από έναν αριθμό παραγόντων όπως οι εξής: (Α) Μήκος Κορδονιού, (Β) απόσταση επιβράδυνσης σχοινιού ή μέγιστη απόσταση ανάσχεσης SRD, (Γ) Τάνυση Πρόσδεσης και μήκος και εγκατάσταση Κρίκου D (τυπικά με Συντελεστή Ασφαλείας 0,5 m (1,6 ft.)). Ανατρέξτε στις οδηγίες που περιλαμβάνονται με το υποσύστημα ανάσχεσης πτώσης σχετικά με τον υπολογισμό επαρκούς απόστασης πτώσης.
- **ΠΤΩΞΕΙΣ ΜΕ ΤΑΛΑΝΤΩΣΗ:** Πτώσεις με ταλάντωση συμβαίνουν όταν το σημείο αγκίστρωσης δεν βρίσκεται ακριβώς πάνω από το σημείο της πτώσης (δείτε το σχήμα 4). Η δύναμη που αναπτύσσεται μετά από πρόσκρουση σε αντικείμενο κατά τη διάρκεια πτώσης με ταλάντωση ενδέχεται να προκαλέσει σοβαρό τραυματισμό ή θάνατο. Περιορίστε τις πτώσεις με ταλάντωση, δουλεύοντας, όσο αυτό είναι δυνατό, ακριβώς κάτω από το σημείο αγκίστρωσης. Μην επιτρέπετε πτώση με ταλάντωση εάν υπάρχει πιθανότητα τραυματισμού. Οι πτώσεις με ταλάντωση θα αυξηθούν σημαντικά τον ελεύθερο χώρο που απαιτείται κατά τη χρήση συσκευής αυτο-ανάκλησης ή άλλου συνδετικού υποσυστήματος μεταβλητού μήκους.
- **ΠΑΡΑΤΕΤΑΜΕΝΗ ΑΝΑΡΤΗΣΗ ΚΑΙ ΤΡΑΥΜΑ ΑΝΑΡΤΗΣΗΣ:** Μια Ολόσωμη Πρόσδεση δεν προορίζεται για χρήση σε εφαρμογές παρατεταμένης ανάρτησης. Η παρατεταμένη ανάρτηση μπορεί να προκαλέσει τραύμα ανάρτησης. Αν ο χρήστης πρόκειται να είναι αναρτημένος για εκτεταμένο χρονικό διάστημα συνιστάται να χρησιμοποιείται κάποιο είδος υποστήριξης καθίσματος. Η 3M συνιστά μια σανίδα καθίσματος, μια αιωρούμενη θέση εργασίας, ένα κάθισμα σέλας ή μια καρέκλα λωστρόμου. Επικοινωνήστε με την 3M για περισσότερες πληροφορίες για αυτά τα είδη.
- **ΠΕΡΙΒΑΛΛΟΝΤΙΚΟΙ ΚΙΝΔΥΝΟΙ:** Η χρήση αυτού του εξοπλισμού σε περιοχές με περιβαλλοντικούς κινδύνους μπορεί να απαιτεί πρόσθετες προφυλάξεις για την αποτροπή τραυματισμού του χρήστη ή ζημιών στον εξοπλισμό. Οι κίνδυνοι μπορεί να περιλαμβάνουν, μεταξύ άλλων: υψηλή θερμότητα, καυστικά χημικά, διαβρωτικά περιβάλλοντα, ηλεκτροφόρα καλώδια υψηλής τάσης, αέρια, κινητά μηχανήματα και αιχμηρές προεξοχές.

- **ΠΡΟΣΔΕΞΕΙΣ ΓΙΑ ΠΕΡΙΒΑΛΛΟΝΤΑ ΥΨΗΛΩΝ ΘΕΡΜΟΚΡΑΣΙΩΝ:** Οι προσδέσεις με ιμάντες Kevlar έχουν σχεδιαστεί για χρήση σε περιβάλλοντα υψηλής θερμοκρασίας, με περιορισμούς: Οι ιμάντες Kevlar αρχίζουν να απανθρακώνονται στους 425 - 480 °C (800 - 900 °F). Οι ιμάντες Kevlar μπορούν να αντέξουν περιορισμένη έκθεση σε επαφή με θερμοκρασίες 535 °C (1 000 °F). Οι ιμάντες πολυεστέρα χάνουν τη δύναμη τους στους 145 - 200 °C (300 - 400 °F). Η επικάλυψη PVC σε τεχνομηχανικό εξοπλισμό έχει σημείο τήξης στους περίπου 175 °C (350 °F).

Παρόλο που ο τεχνομηχανικός εξοπλισμός επικάλυψης PVC ή ψευδαργύρου παρουσιάζει άριστη αντοχή σε καταστάσεις χημικής, όξινης και αλκαλικής διάβρωσης και στις ατμοσφαιρικές συνθήκες, ενδέχεται να απαιτούνται συχνοί έλεγχοι. Συμβουλευτείτε την 3M αν έχετε αμφιβολίες σχετικά με τη χρήση του παρόντος εξοπλισμού σε επικίνδυνα περιβάλλοντα.

2.0 ΧΡΗΣΗ ΣΥΣΤΗΜΑΤΩΝ

- 2.1 ΣΧΕΔΙΟ ΔΙΑΣΩΣΗΣ:** Κατά τη χρήση αυτού του εξοπλισμού και τη σύνδεση των υποσυστημάτων, ο εργοδότης πρέπει να διαθέτει ένα σχέδιο διάσωσης και τα μέσα για να το εφαρμόσει, όπως και να το κοινοποιήσει στους χρήστες¹, σε εξουσιοδοτημένα άτομα², και σε διασώτες³.
- 2.2 ΣΥΧΝΟΤΗΤΑ ΕΠΙΘΕΩΡΗΣΗΣ:** Το σύστημα SRD θα πρέπει να ελέγχεται από τον χρήστη πριν από κάθε χρήση και από ένα αρμόδιο άτομο⁴ εκτός από τον κύριο χρήστη κατά διαστήματα όχι μεγαλύτερα του ενός έτους⁵. Οι διαδικασίες επιθεώρησης περιγράφονται στην ενότητα «Ημερολόγιο Επιθεώρησης και Συντήρησης». Τα αποτελέσματα της κάθε επιθεώρησης που κάνει ένα Αρμόδιο Άτομο θα πρέπει να καταγράφονται σε αντίγραφο του "Ημερολογίου Επιθεωρήσεων και Συντήρησης" ή να παρακολουθούνται με το σύστημα Αναγνώρισης Ραδιοσυχνότητας (βλ. "Επιθεώρηση").

Όπου απαιτείται από την 3M, εξαιτίας της πολυπλοκότητας ή της καινοτομίας του εξοπλισμού ή όπου απαιτούνται κρίσιμες γνώσεις για την αποσυρμολόγηση, την ανασυρμολόγηση, ή την αξιολόγηση του εξοπλισμού, περιοδικές εξετάσεις θα διεξάγονται αποκλειστικά από την 3M ή άτομα ή οργανισμούς εξουσιοδοτημένους από την 3M.

- 2.3 ΣΥΜΒΑΤΟΤΗΤΑ ΤΩΝ ΕΞΑΡΤΗΜΑΤΩΝ:** Ο εξοπλισμός της 3M είναι σχεδιασμένος για χρήση μόνο με τα εγκεκριμένα εξαρτήματα και υποσυστήματα της 3M. Η αλλαγή και η αντικατάσταση με μη εγκεκριμένα εξαρτήματα ή υποσυστήματα μπορεί να θέσει σε κίνδυνο τη συμβατότητα του εξοπλισμού και να επηρεάσει την ασφάλεια και την αξιοπιστία ολόκληρου του συστήματος.
- 2.4 ΣΥΜΒΑΤΟΤΗΤΑ ΤΩΝ ΣΥΝΔΕΣΜΩΝ:** Οι σύνδεσμοι θεωρούνται ότι είναι συμβατοί με τα συνδεδεμένα στοιχεία όταν έχουν σχεδιαστεί για να λειτουργούν μαζί με τέτοιο τρόπο, ώστε το μέγεθος και το σχήμα τους να μην ανοίγουν τον μηχανισμό πύλης τους ανεξάρτητα από τον προσανατολισμό τους. Επικοινωνήστε με την 3M, εάν έχετε ερωτήσεις σχετικά με τη συμβατότητα. Οι σύνδεσμοι (γάντζοι, караμπίνερ και Κρίκοι D) πρέπει να μπορούν να υποστηρίξουν τουλάχιστον 22 kN (4 946 lbf). Οι σύνδεσμοι πρέπει να είναι συμβατοί με την αγκίστρωση ή με άλλα εξαρτήματα του συστήματος. Μην χρησιμοποιείτε ασύμβατο εξοπλισμό. Οι μη συμβατοί σύνδεσμοι μπορεί να απεμπλακούν ακούσια (δείτε το σχήμα 5). Οι σύνδεσμοι πρέπει να είναι συμβατοί σε μέγεθος, σχήμα και αντοχή. Αν το συνδεδετικό στοιχείο, στο οποίο προσαρτάται ο γάντζος ασφαλείας (όπως απεικονίζεται) ή το караμπίνερ, είναι μικρότερου μεγέθους ή έχει ακανόνιστο σχήμα, θα μπορούσε να προκύψει μια κατάσταση όπου το συνδεδετικό στοιχείο εφαρμόζει μια δύναμη στην πύλη του γάντζου ασφαλείας ή στο караμπίνερ (Α). Αυτή η δύναμη μπορεί να προκαλέσει το άνοιγμα της πύλης (Β), επιτρέποντας στον γάντζο ασφαλείας ή στο караμπίνερ να απεμπλακούν από το συνδεδετικό στοιχείο (Γ). Απαιτούνται αυτο-ασφαλιζόμενοι γάντζοι ασφαλείας και караμπίνερ
- 2.5 ΔΗΜΙΟΥΡΓΙΑ ΣΥΝΔΕΣΕΩΝ:** Οι γάντζοι ασφαλείας και τα караμπίνερ που χρησιμοποιούνται με τον εξοπλισμό αυτό πρέπει να κλειδώνουν αυτόματα. Να χρησιμοποιείτε αποκλειστικά συνδέσμους που είναι κατάλληλοι για κάθε εφαρμογή. Βεβαιωθείτε ότι όλοι οι σύνδεσμοι είναι συμβατοί σε μέγεθος, σχήμα και αντοχή. Μην χρησιμοποιείτε ασύμβατο εξοπλισμό. Εξασφαλίστε ότι όλοι οι σύνδεσμοι είναι πλήρως κλειστοί και κλειδωμένοι.
- Οι σύνδεσμοι της 3M (γάντζοι ασφαλείας και караμπίνερ) έχουν σχεδιαστεί για να χρησιμοποιούνται αποκλειστικά σύμφωνα με τις προδιαγραφές των οδηγιών χρήστη του κάθε προϊόντος. Δείτε το σχήμα 6 για παραδείγματα ακατάλληλων συνδέσεων. Άγκιστρα ασφάλισης και караμπίνερ της 3M δεν θα πρέπει να συνδέονται:
- Με Κρίκο D στον οποίο είναι συνδεδεμένος ένας άλλος σύνδεσμος.
 - Με τρόπο που θα μπορούσε να έχει ως αποτέλεσμα φορτίο στην πύλη.
 - Σε περίπτωση λανθασμένης εμπλοκής, όπου τα χαρακτηριστικά που προεξέχουν από τον γάντζο ασφαλείας ή το караμπίνερ πιασούν στο άγκιστρο και χωρίς οπτική επιβεβαίωση, φαίνεται να εμπλέκονται πλήρως στο άκρο του άγκιστρου.
 - Μεταξύ τους.
 - Άμεσα με ιμάντα ή λουρί ή σύστημα ανάληψης οριζόντιων φορτίων (εκτός αν οι οδηγίες του κατασκευαστή τόσο για το λουρί όσο και για τον σύνδεσμο ειδικά επιτρέπουν μια τέτοια σύνδεση).
 - Με οποιοδήποτε αντικείμενο που έχει τέτοιο σχήμα ή τέτοιες διαστάσεις για να μην κλείνει και κλειδώνει ο γάντζος ασφαλείας και το караμπίνερ ή για να μην υπάρξει κύλιση.
 - Με τρόπο που να μην επιτρέπει τη σωστή ευθυγράμμιση του συνδέσμου όταν βρίσκεται υπό φορτίο.

- 2.6 ΣΥΝΔΕΣΗ ΥΠΟΣΥΣΤΗΜΑΤΩΝ:** Η σύνδεση των υποσυστημάτων (αυτό-συρρικνούμενη γραμμή διάσωσης, κορδόνι, αρπάγη σχοινίου και γραμμή διάσωσης, επικάλυψη καλωδίου, κλπ.) πρέπει να είναι κατάλληλη για το σύστημα σας. (Βλέπε ενότητα 1.1). Βλ. τις οδηγίες του κατασκευαστή του υποσυστήματος για περισσότερες πληροφορίες. Μερικά μοντέλα πρόσδεσης διαθέτουν σημεία συνδέσμου βρόχου ιστού. Μην χρησιμοποιείτε άγκιστρα ασφάλισης για σύνδεση σε βρόχους ιστού. Χρησιμοποιήστε ένα караμπίνερ με αυτό-κλειδώμα για σύνδεση με ένα βρόχο ιστού. Διαβεβαιώστε το ότι το караμπίνερ δεν είναι δυνατόν να φορτώσει σταυρωτά στο άνοιγμα (να φορτώσει κόντρα στο άνοιγμα του μάλλον παρά κατά μήκος του κύριου άξονα του караμπίνερ). Μερικά κορδόνια είναι σχεδιασμένα να εφαρμόζονται σε ένα βρόχο ιστού για να διαθέτουν έναν συμβατό σύνδεσμο. Τα κορδόνια μπορεί να είναι ραμμένα απευθείας στον βρόχο ιστού σχηματίζοντας μόνιμο σύνδεσμο. Μην εξαρτάτε πολλαπλούς συνδέσμους σε ένα βρόχο ιστού, εκτός αν τοποθετείτε εμφράκτες δύο κορδονιών σε ένα βρόχο ιστού κατάλληλου μεγέθους. Για τοποθέτηση εμφράκτη ενός κορδονιού σε ένα βρόχο ιστού (Εικόνα 7): Α) Εισάγετε το βρόχο ιστού του κορδονιού διαμέσου του βρόχου ιστού ή του Κρίκου D στη πρόσδεση. Β) Εισάγετε το κατάλληλο άκρο του κορδονιού διαμέσου του βρόχου ιστού του κορδονιού ή του Κρίκου D στη πρόσδεση. Β) Εισάγετε το κατάλληλο άκρο του κορδονιού διαμέσου του βρόχου ιστού του κορδονιού. C) Τραβήξτε το κορδόνι διαμέσου του συνδεδεμένου βρόχου ιστού για να ασφαλίσει.

- 2.7 ΑΣΦΑΛΗΣ ΣΤΟΙΒΑΞΗ ΚΟΡΔΟΝΙΟΥ:** Η Εικόνα 8 διευκρινίζει την Ασφαλή Στοίβαξη Κορδονιού Το Προσάρτημα της Ασφαλούς Στοίβαξης Κορδονιού προορίζεται για προσάρτηση του ελεύθερου άκρου του κορδονιού ή της πρόσδεσης της στερεωμένης Συσκευής Αυτο-Αναδίπλωσης όταν δεν υπάρχει σύνδεση σε ένα Σημείο Συνδέσμου Αγκίστρωσης για προστασία από πτώση. Οι προσαρτήσεις Ασφαλούς Στοίβαξης Κορδονιού δε πρέπει ποτέ να χρησιμοποιούνται ως Στοιχείο Προσάρτησης Προστασίας από Πτώση στην Πρόσδεση για σύνδεση σε ένα Κορδόνι ή σε μια Συσκευή Αυτο-Αναδίπλωσης (Α).

Όταν δεν είναι συνδεδεμένο σε ένα Σημείο Αγκίστρωσης Συνδέσμου, ένα μη συνδεδεμένο Άκρο Κορδονιού πρέπει να στοιβάζεται κατάλληλα στην πρόσδεση (Β) ή να ασφαρίζεται στο χέρι του χρήστη όπως στις εφαρμογές 100% πρόσδεσης (Tie-Off) (Γ). Άκρα Κορδονιού (Δ) που αιωρούνται ελεύθερα μπορεί να μπλέξουν τον χρήστη ή να πιαστούν από αντικείμενα του περιβάλλοντος με αποτέλεσμα την πτώση.

- 1 Χρήστης:** Ένα άτομο το οποίο εκτελεί δραστηριότητες σε ύψη ενόσω προστατεύεται από ένα προσωπικό σύστημα προστασίας από ελεύθερη πτώση.
- 2 Εξουσιοδοτημένο άτομο:** Ένα άτομο που έχει οριστεί από τον εργοδότη να εκτελεί καθήκοντα σε μια θέση όπου το άτομο θα εκτεθεί σε κίνδυνο πτώσης.
- 3 Διασώτης:** Άτομο ή άτομα διαφορετικά από το υποκείμενο της διάσωσης που πραγματοποιούν μια υποβοηθούμενη διάσωση με τη λειτουργία ενός συστήματος διάσωσης.
- 4 Αρμόδιο άτομο:** Το άτομο που είναι σε θέση να αναγνωρίσει υπάρχοντες και προβλέψιμους κινδύνους στο περιβάλλον ή σε συνθήκες εργασίας που είναι ανθυγιεινές, επισφαλείς ή επικίνδυνες για τους εργαζομένους, και ο οποίος έχει άδεια να λάβει άμεσα διορθωτικά μέτρα για την εξάλειψή τους.
- 5 Συχνότητα επιθεώρησης:** Ακραίες συνθήκες εργασίας (σκληρό περιβάλλον, παρατεταμένη χρήση, κ.λπ.) ενδέχεται να επιβάλλουν συχνότερες επιθεωρήσεις από τα αρμόδια άτομα.

3.0 ΧΡΗΣΗ ΠΡΟΣΔΕΣΗΣ

3.1 ΠΡΙΝ ΑΠΟ ΚΑΘΕ ΧΡΗΣΗ του παρόντος εξοπλισμού επιθεωρήστε τον σύμφωνα με το "Ημερολόγιο Επιθεώρησης και Συντήρησης" (Πίνακας 1).

3.2 ΣΧΕΔΙΑΣΤΕ το σύστημά σας πριν το χρησιμοποιήσετε. Εξετάστε όλους τους παράγοντες που θα επηρεάσουν την ασφάλεια σας κατά τη διάρκεια της χρήσης του παρόντος εξοπλισμού. Ο ακόλουθος κατάλογος δίνει σημαντικά σημεία προς εξέταση κατά τη σχεδίαση του συστήματός σας:

- **Αγκίστρωση:** Επιλέξτε μια αγκίστρωση ικανή να αντέξει τις απαιτήσεις Στατικού Φορτίου της εφαρμογής προστασίας πτώσης για την οποία προορίζεται (βλ. Ενότητα 1.1). Η τοποθεσία της αγκίστρωσης θα πρέπει να καλύπτει Ελεύθερη Πτώση, την Απόσταση Πτώσης, Πτώσεις με ταλάντωση, και τους Περιβαλλοντικούς περιορισμούς που περιγράφονται στην Ενότητα 1.4.
- **Αιχμηρές Προεξοχές:** Μην εργάζεστε σε σημεία όπου το συνδετικό υποσύστημα ή άλλα εξαρτήματα του συστήματός μπορεί να έρθει σε επαφή ή να γδαρθεί από μη προστατευμένες αιχμηρές προεξοχές.
- **Μετά από μια πτώση:** Τα εξαρτήματα που έχουν υποστεί τις δυνάμεις της ανάσχεσης της πτώσης πρέπει να απομακρυνθούν από τη χρήση και να καταστραφούν.
- **Διάσωση:** Ο εργοδότης θα πρέπει να διαθέτει ένα σχέδιο διάσωσης πριν τη χρήση του παρόντος εξοπλισμού. Ο εργοδότης θα πρέπει να διαθέτει την ικανότητα να φέρει εις πέρας μια διάσωση με ταχύτητα και ασφάλεια.
- **Πρόσδεση Διάσωσης:** Η Πρόσδεση Διάσωσης (EN1497) προορίζεται για να φοριέται κατά τη διάρκεια συνήθων εργασιακών δραστηριοτήτων. Πριν τη χρήση των διασωστικών προσαρτημένων στοιχείων για πρώτη φορά, ο χρήστης πρέπει να εκτελεί μια δοκιμασία ανάρτησης υπό ασφαλείς συνθήκες για να εξασφαλίζεται ότι η πρόσδεση έχει κατάλληλο μέγεθος και προσαρμογή για βέλτιστη άνεση κατά την ανάρτηση.
- **Εξάρτηση Διατήρησης Ασφαλούς Θέσης Εργασίας:** Λαμβάνετε πάντα υπόψη την ανάγκη χρήσης ενός εφεδρικού Ατομικού Συστήματος Προστασίας από Πτώσεις (π.χ. ένα Σύστημα Ανάσχεσης Πτώσης) όταν χρησιμοποιείτε ένα Σύστημα Διατήρησης Ασφαλούς Θέσης Εργασίας. Χρησιμοποιείτε πάντα ένα σημείο αγκύρωσης τοποθετημένο στο επίπεδο της μέσης ή πάνω από αυτό.

3.3 ΠΟΡΠΕΣ: Οι Ολόσωμες Πρόσδεσεις είναι εφοδιασμένες με διάφορες Πόρπες για σφίξιμο και προσαρμογή των Λωρίδων Ποδιού και των Λωρίδων Θώρακα. Οι Ζώνες Πρόσδεσης Σώματος φέρουν Πόρπες Γλωττίδας. Βλέπε Εικόνα 1 για τα είδη πορπών που φέρει η Πρόσδεση σας. Η Εικόνα 9 διευκρινίζει τη λειτουργία της κάθε μιας από τις ακόλουθες πόρπες:

1. Πόρπες Ταχείας Σύνδεσης:

- A. Για σφίξιμο μιας Πόρπης Ταχείας Σύνδεσης, εισάγετε το προσάρτημα στην υποδοχή μέχρι να ακουστεί ένα κλικ.
- B. Για προσαρμογή της Λωρίδας Ιστού: Τραβήξτε τη Λωρίδα Ιστού προς τα εμπρός ή προς τα πίσω μέσω της Θυρίδας της Πόρπης για σύσφιξη ή χαλάρωση.
- C. Για απελευθέρωση της Πόρπης Ταχείας Σύνδεσης: Πιέστε τους Μοχλούς της Κλειδαριάς σε κάθε πλευρά της Υποδοχής. Τραβήξτε το Προσάρτημα έξω από την Υποδοχή.

2. Ολόσωμες Πόρπες

- A. Εισάγετε το Αρσενικό εξάρτημα της Πόρπης διαμέσου της θυρίδας στο Θηλυκό της Πόρπης.
- B. Σφίξτε την ελεύθερη λωρίδα έτσι ώστε το Αρσενικό της Πόρπης να είναι ισόπεδο πάνω στο Θηλυκό της Πόρπης. Ασφαλίστε την ελεύθερη λωρίδα στο Ασφάλιστρο της Λωρίδας.

3.4 ΠΡΟΣΑΡΜΟΓΕΣ: Οι προσδέσεις είναι εφοδιασμένες με ένα ζεύγος Προσαρμογών Κορμού για τη προσαρμογή των Λωρίδων των Ώμων. Η Εικόνα 10 διευκρινίζει τη προσαρμογή των Προσαρμογών Κορμού.

1. Προσαρμογείς Σώματος Αλεξιπτώτου

- A. Τραβήξτε την ελεύθερη λωρίδα για σύσφιξη της Λωρίδας Ώμου. Για χαλάρωση της Λωρίδας Ώμου, τραβήξτε την ελεύθερη λωρίδα και μετά στερεώστε τη λωρίδα διαμέσου του Προσαρμογέα Αλεξιπτώτου.
- B. Αφού γίνει η κατάλληλη προσαρμογή, ασφαλίστε την ελεύθερη λωρίδα στο Ασφάλιστρο Λωρίδας.

Εάν υπάρχει η διαχείριση άκρου ιστού velcro (δείτε την εικόνα 11), επαναφέρετε τον ελεύθερο ιμάντα ιστού μέχρι να σφίξετε (A), ενώστε τις λωρίδες velcro πίσω από τον ιμάντα και ασφαλίστε τις λωρίδες (B). Βεβαιωθείτε ότι ο κύλινδρος είναι σφιγμένος και ότι ο συγκρατητήρας του ιμάντα μετατοπίζεται κοντά στον κύλινδρο (C).

3.5 ΦΟΡΕΜΑ ΚΑΙ ΠΡΟΣΑΡΜΟΓΗ ΤΗΣ ΟΛΟΣΩΜΗΣ ΠΡΟΣΔΕΣΗΣ: Η Εικόνα 13 διευκρινίζει το φόρεμα και την προσαρμογή της Ολόσωμης Πρόσδεσης. Πριν από κάθε χρήση, επιθεωρήστε τη πρόσδεση σύμφωνα με τη λίστα ελέγχου στο "Ημερολόγιο Επιθεωρήσεων και Συντήρησης (Πίνακας 1)". Για να φορέσετε και να προσαρμόσετε τη πρόσδεση:

Οι διαδικασίες για το δέσιμο των πορπών και την προσαρμογή των λωρίδων στην πρόσδεσή σας θα ποικίλουν ανάλογα με το μοντέλο της πρόσδεσης. Βλέπε Ενότητες 3.3 μέχρι 3.4 και Εικόνες 9 μέχρι 10 για λεπτομέρειες.

1. Σηκώστε και κρατήστε την πρόσδεση από το πίσω Ραχιαίο Κρίκο D. Βεβαιωθείτε ότι οι λωρίδες δεν είναι συστραμμένες.
2. Πιάστε τις Λωρίδες Ώμου και ολισθήστε την πρόσδεση στο ένα χέρι. Ο Ραχιαίος Κρίκος D θα βρίσκεται στη πλάτη σας. Βεβαιωθείτε ότι οι λωρίδες δεν είναι μπλεγμένες και ότι αναρτώνται ελεύθερα. Ολισθήστε το ελεύθερο χέρι σας μέσα στη πρόσδεση και τοποθετήστε τις Λωρίδες Ώμου στο πάνω μέρος των ώμων σας. Η Θωρακική Λωρίδα και η Θωρακική Πόρπη θα βρίσκονται στο πρόσθιο μέρος όταν έχουν φορεθεί κατάλληλα.
3. Πλησιάστε ανάμεσα από τα πόδια σας και πιάστε τη Λωρίδα Ποδιού στη δεξιά σας πλευρά. Φέρτε τη λωρίδα ανάμεσα στα πόδια σας. Κλειδώστε την πόρπη στην αντίστοιχη πόρπη του δεξιού γοφού σας και προσαρμόστε τη Λωρίδα Ποδιού για άνετο ταίριασμα (βλ. Ενότητα 3.3 για το χειρισμό της πόρπης). Όταν έχει προσαρμοστεί κατάλληλα, διπλώστε το χαλαρό άκρο της Λωρίδας Ποδιού κάτω από το Ασφάλιστρο της Λωρίδας.
Επαναλάβετε αυτή τη διαδικασία για κλείδωμα και προσαρμογή της αριστερής Λωρίδας Ποδιού.
4. Προσαρμόστε και κλειδώστε την Πόρπη Γλωττίδας της Ζώνης Μέσης αν υπάρχει. (βλ. Ενότητα 3.3 για τη χρήση της Πόρπης Γλωττίδας).
5. Κλειδώστε τη πόρπη και προσαρμόστε τη Θωρακική Λωρίδα (βλ. Ενότητα 3.3 για τη χρήση της πόρπης). Η Θωρακική Πόρπη θα πρέπει να είναι 15 cm (6 in) κάτω από τη κορυφή των ώμων σας. Αφού έχει προσαρμοστεί κατάλληλα,

διπλώστε το χαλαρό άκρο της Θωρακικής Λωρίδας κάτω από το Ασφάλιστρο της Λωρίδας.

6. Προσαρμόστε τις Λωρίδες των Ώμων για άνετο ταίριασμα με τους Προσαρμογείς Κορμού (βλ. Ενότητα 3.4 για τη χρήση του Προσαρμογέα Κορμού). Οι αριστερές και δεξιές πλευρές των Λωρίδων Ώμων θα πρέπει να προσαρμόζονται στο ίδιο μήκος και η Θωρακική Λωρίδα θα πρέπει να κεντράρεται χαμηλότερα στο στήθος σας, 15 cm (6 in) κάτω από τους ώμους. Ο πίσω Ραχιαίος Κρίκος D θα πρέπει να κεντράρεται μεταξύ των Πτερυγίων των Ώμων σας. Ο πρόσθιος Θωρακικός Κρίκος D, θα πρέπει να βρίσκεται πλευρικά εντός 5 cm (2 in) από τη κάθετη κεντρογραμμή της πρόσδεσης.

Ελέγχετε τακτικά τα στοιχεία στερέωσης και ρύθμισης κατά τη χρήση.

3.6 ΧΡΗΣΗ ΤΟΥ ΚΡΙΚΟΥ-D ΣΥΓΚΡΑΤΗΣΗΣ ΠΤΩΣΗΣ Η ΤΟΥ ΕΞΑΡΤΗΜΑΤΟΣ ΠΡΟΣΑΡΤΗΣΗΣ: Τα σημεία αγκύρωσης για τη σύλληψη πτώσης σημειώνονται με κεφαλαίο γράμμα "A". Για εφαρμογές Συγκράτησης Πτώσης συνδέστε το Ραχιαίο Κρίκο D το εξάρτημα προσάρτησης στη πλάτη σας, μεταξύ των πτερυγίων των ώμων σας, ή Sternal δακτύλιο D-δαχτυλίδι στο στήθος σας. Οι πλευρικοί Κρίκοι-D, αν υπάρχουν, προορίζονται αποκλειστικά για εφαρμογές Ανάσχεσης ή Τοποθέτησης. Οι ωμιαίες προσαρτήσεις προορίζονται αποκλειστικά για εφαρμογές Διάσωσης ή Ανάκτησης. Ο πρόσθιος Θωρακικός Κρίκος D προορίζεται για Αναρρίχηση Σκάλας ή Τοποθέτηση. Οι Κρίκοι D σε ένα Αναρτώμενο Κάθισμα προορίζονται αποκλειστικά για εφαρμογές Αιώρησης ή Τοποθέτησης. (Βλ. Ενότητα 1.1.).

3.7 ΔΗΜΙΟΥΡΓΙΑ ΣΥΝΔΕΣΕΩΝ: Όταν χρησιμοποιείτε γάντζο για σύνδεση σε μια αγκίστρωση ή όταν συνδέετε εξαρτήματα μαζί στο σύστημα, βεβαιωθείτε ότι δεν είναι δυνατό το ξετύλιγμα. Το ξετύλιγμα συμβαίνει όταν υφίσταται μια παρεμβολή μεταξύ του γάντζου και του αντίστοιχου συνδέσμου που προκαλεί το άνοιγμα του γάντζου να ανοίξει και να απελευθερωθεί ακούσια. Τα άγκιστρα ασφάλισης αυτο-κλειδώματος και τα καραμπίνερ θα πρέπει να χρησιμοποιούνται για μείωση της πιθανότητας ενός ξετυλίγματος. Μην χρησιμοποιείτε γάντζους και συνδέσμους που δεν κλείνουν πλήρως πάνω στο αντικείμενο προσάρτησης. Βλ. τις οδηγίες του κατασκευαστή του υποσυστήματος για περισσότερες πληροφορίες σχετικά με τη δημιουργία συνδέσμων.

3.8 ΣΥΝΔΕΣΗ ΤΩΝ ΕΞΑΡΤΗΜΑΤΩΝ ΤΟΥ ΣΥΣΤΗΜΑΤΟΣ: Μετά από τη προσαρμογή της πρόσδεσης ο χρήστης θα πρέπει μετά να συνδεθεί με τα άλλα εξαρτήματα του συστήματος. Ακολουθήστε τις οδηγίες στην Ενότητα 2 και τις οδηγίες του κατασκευαστή που συμπεριλαμβάνονται με το εξάρτημα.

4.0 ΕΠΙΘΕΩΡΗΣΗ

4.1 ΣΥΧΝΟΤΗΤΑ ΕΠΙΘΕΩΡΗΣΗΣ: Η Ολόσωμη Πρόσδεση πρέπει να υπόκειται σε έλεγχο στα διαστήματα που ορίζονται στην Ενότητα 2.2. Οι διαδικασίες επιθεώρησης περιγράφονται στην ενότητα «*Ημερολόγιο Επιθεώρησης και Συντήρησης*» (Πίνακας 1).

4.2 ΕΛΑΤΤΩΜΑΤΑ: Αν η επιθεώρηση αποκαλύψει μια ελαττωματική κατάσταση, θέστε αμέσως την πρόσδεση εκτός χρήσης και καταστρέψτε την.

4.3 ΖΩΗ ΠΡΟΪΟΝΤΟΣ: Η διάρκεια ζωής της Πρόσδεσης εξαρτάται από τις εργασιακές συνθήκες και τη συντήρηση. Η μέγιστη διάρκεια ζωής μπορεί να κυμανθεί από 1 έτος για βαριά χρήση υπό ακραίες συνθήκες και μέχρι 10 έτη υπό ήπιες συνθήκες χρήσης. Εφόσον το προϊόν πληροί τα κριτήρια επιθεώρησης, μπορεί να παραμείνει σε λειτουργία έως 10 έτη κατ' ανώτατο όριο.

5.0 ΣΥΝΤΗΡΗΣΗ, ΕΠΙΣΚΕΥΗ, ΑΠΟΘΗΚΕΥΣΗ

Μην καθαρίζετε ή απολυμαίνετε το προϊόν με καμία άλλη μέθοδο εκτός από την περιγραφόμενη στις ακόλουθες οδηγίες καθαρισμού. Άλλες μέθοδοι μπορεί να έχουν δυσμενείς επιπτώσεις στο προϊόν ή στον χρήστη.

5.1 ΚΑΘΑΡΙΣΜΟΣ: Οι ολόσωμες εξαρτήσεις της 3M πρέπει να καθαρίζονται σύμφωνα με τις οδηγίες της 3M. Για να καθαρίσετε την εξάρτηση, πλύνετε με ήπιο απορρυπαντικό που δεν περιέχει χλωρίνη και μετά ξεβγάλετε. Η εξάρτηση πρέπει στη συνέχεια να κρεμαστεί για να στεγνώσει στον αέρα. Το νερό που χρησιμοποιείται για τον καθαρισμό και οι θερμοκρασίες που χρησιμοποιούνται για στέγνωμα στον αέρα δεν πρέπει ποτέ να υπερβαίνουν τους 54,4°C (130°F). Για περισσότερες πληροφορίες, παρακαλούμε ανατρέξτε στο τεχνικό δελτίο στην ιστοσελίδα μας: <http://www.3M.com/FallProtection/WebCleaning>

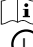
Για οποιοδήποτε ερωτήσεις σχετικά με τις διαδικασίες καθαρισμού, επικοινωνήστε με το τμήμα Τεχνικής Υποστήριξης της 3M.

5.2 ΣΕΡΒΙΣ: Οι ολόσωμες προσδέσεις δεν μπορούν να επισκευαστούν. Αν η πρόσδεση έχει υποβληθεί σε δύναμη πτώσης ή αν η επιθεώρηση αποκαλύψει επισφαλής ή ελαττωματική κατάσταση, θέστε αμέσως την πρόσδεση εκτός χρήσης και καταστρέψτε τη.

5.3 ΑΠΟΘΗΚΕΥΣΗ ΚΑΙ ΜΕΤΑΦΟΡΑ: Αποθηκεύστε και μεταφέρετε την Ολόσωμη Πρόσδεση σε ψυχρό, ξηρό, καθαρό περιβάλλον μακριά από απευθείας έκθεση σε ηλιακό φως. Να αποφεύγετε περιοχές όπου ενδέχεται να υπάρχουν ατμοί από χημικές ουσίες. Επιθεωρήστε σχολαστικά την πρόσδεση μετά από παρατεταμένη αποθήκευση.

6.0 ΣΗΜΑΝΣΗ

Η Εικόνα 14 δείχνει τις ετικέτες του προϊόντος και τη θέση τους στην Ολόσωμη Πρόσδεση. Όλες οι ετικέτες πρέπει να είναι εμφανείς και πλήρως αναγνώσιμες. Οι πληροφορίες που παρέχονται σε κάθε ετικέτα είναι οι εξής:

1	(A) Σημείο αγκύρωσης για πτώση πτώσης, που σημειώνεται με κεφαλαίο γράμμα "A" (B) Θέση ετικέτας
2	(A) Ημερολόγιο Επιθεώρησης (B) Σειριακός Αριθμός (Γ) Αρχική (Δ) Ημ/νία (E) Μην αφαιρέσετε αυτή την ετικέτα.
3	(A) Ετικέτα πληροφοριών χρήστη
4	(A) Σειριακός αριθμός (B) Μήνας κατασκευής (Γ) Έτος κατασκευής (Δ) Αριθμός παρτίδας (E) Αριθμός μοντέλου (ΣΤ) Ευρωπαϊκό πρότυπο (Z) Δυνατότητα (H) Μέγεθος (Θ)  Βλέπε Οδηγίες (J) Σήμα CE (K) Αριθμός οργανισμού στον οποίο έγινε κοινοποίηση για διεκπεραίωση τυπικής συμμόρφωσης (L) Μέγεθος ιμάντα σώματος

Lea, comprenda y cumpla con todo lo dispuesto en la información de seguridad contenida en estas instrucciones antes de utilizar este arnés de cuerpo entero. SI NO LO HACE, PUEDE SUFRIR GRAVES LESIONES O LA MUERTE.

Estas instrucciones deben entregarse al usuario de este equipo. Conserve las instrucciones para futuras consultas.

Uso previsto:

Este arnés de cuerpo entero está pensado para ser utilizado como parte de un sistema completo de protección contra caídas.

El empleo en cualquier otra aplicación, entre otras, la manipulación de material, actividades de recreo o deportivas, u otras actividades no descritas en las instrucciones para el usuario, no está aprobado por 3M y puede provocar lesiones graves o la muerte.

Este dispositivo solo deben usarlo usuarios formados en su utilización en aplicaciones dentro del lugar de trabajo.

ADVERTENCIA

Este arnés de cuerpo entero es parte de un sistema completo de protección contra caídas. Se espera que todos los usuarios se hayan formado completamente en la instalación y uso seguro de su sistema de protección contra caídas. **El mal uso de este dispositivo puede provocar lesiones graves o la muerte.** Para una adecuada selección, uso, instalación, mantenimiento, inspección y reparación, consulte estas instrucciones para el usuario y todas las recomendaciones del fabricante, contacte con su supervisor o con el servicio técnico de 3M.

- **Para reducir los peligros asociados con el trabajo con un arnés de cuerpo entero que, si no se evitan, pueden provocar lesiones graves o la muerte:**
 - Inspeccione el dispositivo antes de cada uso, al menos, con una periodicidad anual, y después de que el sistema haya soportado una caída. Realice la inspección según las instrucciones del producto.
 - Si durante la inspección observa una condición insegura o defectuosa, retire el dispositivo del servicio y destrúyalo.
 - Cualquier dispositivo que haya estado sometido a una fuerza de detención de caídas o impacto deberá retirarse inmediatamente del servicio y destruirse.
 - Asegúrese de que el arnés esté correctamente colocado, correctamente dimensionado y correctamente ajustado.
 - Asegúrese de que todos los subsistemas de conexión (por ejemplo, eslingas) se mantengan libres de cualquier peligro, incluyendo, entre otros, enredos con otros trabajadores, consigo mismo, con maquinaria en movimiento o con los objetos circundantes.
 - Asegúrese de que los sistemas/subsistemas de protección contra caídas conectados con componentes hechos por distintos fabricantes son compatibles y cumplen los requisitos de las normas aplicables, incluyendo los ANSI Z359 u otros códigos, normas o requisitos de protección contra caídas aplicables. Consulte siempre con personal cualificado o competente antes de usar estos sistemas.
- **Para reducir los peligros asociados con el trabajo en altura que, si no se evitan, pueden provocar lesiones graves o la muerte:**
 - Asegúrese de que su salud y condición física le permiten resistir con seguridad todas las fuerzas asociadas con el trabajo en altura. Consulte con su médico si tiene alguna pregunta con respecto a su capacidad para utilizar este equipo.
 - Nunca exceda la capacidad de carga de su equipo de protección contra caídas.
 - Nunca exceda la distancia máxima de caída libre de su equipo de protección contra caídas.
 - No utilice ningún equipo de protección contra caídas que haya fallado antes de usarse o no haya pasado otras inspecciones programadas, o si tiene dudas sobre el uso o la idoneidad del equipo para su aplicación. Póngase en contacto con los servicios técnicos de 3M si tiene cualquier pregunta.
 - Algunas combinaciones de subsistemas y componentes pueden interferir con el funcionamiento del equipo. Use solo conectores compatibles. Consulte con 3M antes de emplear este equipo con componentes o subsistemas distintos de los descritos en las instrucciones para el usuario.
 - Extreme la precaución cuando se encuentre alrededor de maquinaria en movimiento (p. ej., mecanismos de activación superiores de plataformas petrolíferas), cuando existan riesgos eléctricos, temperaturas extremas, peligros químicos, gases explosivos o tóxicos, bordes afilados o materiales que se encuentren por encima de usted y que podrían caer sobre usted o sobre el equipo de protección contra caídas.
 - Use dispositivos para trabajos en caliente o arco eléctrico cuando trabaje en ambientes a altas temperaturas.
 - Evite superficies y objetos que puedan causar daño al usuario o al equipo.
 - Asegúrese de que haya una distancia de caída adecuada cuando trabaje en altura.
 - Nunca modifique o altere su equipo de protección contra caídas. Sólo 3M o las partes autorizadas por escrito por 3M pueden reparar el equipo.
 - Antes de usar el equipo de protección contra caídas, asegúrese de que existe un plan de rescate que permita un rápido rescate si se produce un evento de caída.
 - Si se produjera una caída, busque atención médica inmediatamente para el trabajador que se haya caído.
 - No utilice un cinturón corporal para las aplicaciones de detención de caídas. Use sólo un arnés de cuerpo completo.
 - Trabaje en un lugar situado lo más directamente posible por debajo del punto de anclaje para minimizar la posibilidad de caídas con balanceo.
 - Si se está formando con este dispositivo, se debe utilizar un sistema de protección contra caídas secundario de manera que no exponga al aprendiz a un riesgo de caída involuntaria.
 - Lleve siempre el equipo de protección individual apropiado cuando instale, use o inspeccione el dispositivo/sistema.

Antes de utilizar este equipo, registre la información de identificación del producto indicada en la etiqueta de identificación en el "Registro de inspección y mantenimiento" al final de este manual.

Asegúrese siempre de estar utilizando la última versión de su manual de instrucciones de 3M. Visite el sitio web de 3M o póngase en contacto con los Servicios técnicos de 3M para obtener los manuales de instrucciones actualizados.

DESCRIPCIÓN

La figura 1 define los modelos de arnés de cuerpo completo 3M™ Protecta® disponibles. Los modelos de arnés están disponibles con varias combinaciones de las siguientes características:

	Referencia de la figura 1:	Descripción:
Tamaños	S, M/L, XL	Pequeño, mediano/grande, extragrande
	Ⓑ	Tamaño del cinturón corporal en cm
Elementos de fijación	①	Anilla D dorsal
	②	Anilla D para el esternón
	③	Anillas D para la cadera
	④	Fijación para los hombros
Hebillas	⑤	Hebillas de conexión rápida
	⑥	Hebillas pasantes
Ajustadores	⑦	Ajustadores de torso tipo paracaídas
Protectores	⑧	Almohadilla para el cinturón y la cadera
	⑨	Almohadilla de pierna
Características adicionales	⑩	Protectores de eslingas de restablecimiento automático y desacople
	⑪	Manejo de los extremos de cincha - Consulte la figura 11.
	⑫	Cinturón de rescate
	⑬	Bucle de instrumento

ESPECIFICACIONES

Rendimiento:	
Fuerza máxima de detención:	6 kN (1 349 lbf)
Capacidad:	140 kg (310 lb.)
Temperatura de funcionamiento:	Mínimo: -35 °C (-31 °F) Máximo: +57 °C (135 °F)

Materiales:	
y desplegada	Poliéster: límite elástico de 22 kN (4 946 lbf)
Cubiertas de almohadillas	Mezcla de nylon y poliéster
Cubierta de la etiqueta	Mezcla de nylon y poliéster
Hilo	Hilo de poliéster en tejido de poliéster
Anillas D	Acero de aleación: fuerza de tracción de 22 kN (4 946 lbf)
Hebillas de conexión rápida	Acero, acero inoxidable y acero de aleación: fuerza de tracción de 18 kN (4 047 lbf)
Hebillas pasantes	Acero de aleación: fuerza de tracción de 18 kN (4 047 lbf)
Ajustadores de torso tipo paracaídas	Acero de aleación: fuerza de tracción de 18 kN (4 047 lbf)

1.0 APLICACIONES

1.1 PROPÓSITO: los arneses de cuerpo completo se deben utilizar como componentes del sistema personal de protección contra caídas, diseñado para evitar una caída o detenerla con seguridad (consulte la figura 2). Los arneses de cuerpo completo se utilizan en las siguientes aplicaciones:

(A)	Detención de caídas (EN360, EN361, EN355): los sistemas personales de detención de caídas normalmente incluyen un arnés de cuerpo completo y un subsistema de conexión (eslinga de absorción de energía, dispositivo autorretráctil, etc.). La fuerza máxima de detención no debe superar los 6 kN (1 349 lbf). <i>Resistencia del anclaje:</i> el anclaje seleccionado debe soportar cargas mínimas de 12 kN (2 698 lbf).
(B)	Posicionamiento de trabajo (EN358, EN813): los sistemas de posicionamiento de trabajo normalmente incluyen un arnés de cuerpo completo, una eslinga de posicionamiento y un sistema de detención de caídas personal. Para realizar tareas laborales, conecte el subsistema de posicionamiento de trabajo (ejemplo: eslinga, eslinga en Y, etc.) al lado inferior (nivel de la cadera) o a los elementos de anclaje del acoplamiento de posicionamiento de trabajo montados en el cinturón (argollas en forma de D). Nunca utilice estos puntos de conexión para la detención de caídas. <i>Elementos de fijación:</i> frontal, para las caderas. <i>Resistencia del anclaje:</i> el anclaje seleccionado debe soportar cargas mínimas de 12 kN (2 698 lbf).
(C)	Ascensión (EN353-1): el arnés de cuerpo completo se utiliza como componente de un sistema de ascensión para evitar que el usuario se caiga al subir una escalera o cualquier estructura. Los sistemas de ascensión normalmente incluyen un arnés de cuerpo completo, un raíl o cable vertical fijado a la estructura y un acoplador. Para subir escaleras, se pueden utilizar arneses equipados con una anilla D frontal en la zona del esternón para la detención de caídas con sistemas fijos de ascensión de escaleras. <i>Elementos de fijación:</i> para el esternón. <i>Resistencia del anclaje:</i> La estructura a la que se fija el sistema de ascensión debe sostener las cargas exigidas en la documentación del fabricante de sistemas de ascensión.
(D)	Rescate (EN1496, EN1497, EN1498): el arnés de cuerpo completo se utiliza como componente del sistema de rescate. Los sistemas de rescate se configuran en función del tipo de rescate. Si el acceso es complicado (espacio confinado), se pueden utilizar arneses equipados con anillas D para entrar y salir de espacios reducidos en los que el perfil del trabajador sea un problema. <i>Elementos de fijación:</i> dorsal, frontal, para el esternón, para los hombros. <i>Resistencia del anclaje:</i> el anclaje seleccionado debe soportar cargas mínimas de 12 kN (2 698 lbf).
(E)	Descenso controlado (EN341): para descensos controlados, se pueden utilizar arneses equipados con una sola anilla D en la zona del esternón, una o dos anillas D frontales o un par de conectores procedentes de debajo de la cintura (como una eslinga de asiento) para conectarlos a un sistema de descenso o evacuación. <i>Elementos de fijación:</i> dorsal, frontal, para el esternón. <i>Resistencia del anclaje:</i> el anclaje seleccionado debe soportar cargas mínimas de 12 kN (2 698 lbf).
(F)	Retención (EN354): el arnés de cuerpo completo se utiliza como componente de un sistema de retención para evitar que el usuario corra riesgos de caídas. En los sistemas de retención normalmente se incluye un arnés de cuerpo entero y una eslinga o cuerda de retención. <i>Elementos de fijación:</i> dorsal, frontal, para el esternón, para las caderas. <i>Resistencia del anclaje:</i> el anclaje seleccionado debe soportar cargas al menos 18 kN (4 047 lbf) cuando los elementos de amarre incluyen cualquier material textil o elementos de cordón textiles, p. ej. Se utilizan cuerdas de fibra sintética o correas. Cuando se utilizan cordones hechos de elementos metálicos, el anclaje debe soportar cargas de al menos 12 kN (2 698 lbf).

1.2 NORMAS: los arneses incluidos en este manual cumplen las normas identificadas en la portada de estas instrucciones. Si se revende este producto fuera del país de destino original, el revendedor debe proporcionar estas instrucciones en el idioma del país en donde se utilizará el producto.

1.3 FORMACIÓN: el usuario y el comprador de este equipo deben familiarizarse con las instrucciones y recibir formación sobre el cuidado y uso correctos del equipo, así como las características operativas, límites de aplicación y consecuencias de un uso incorrecto.

1.4 LIMITACIONES: antes de utilizar este equipo, se deben tener en cuenta las siguientes limitaciones en cuanto a su aplicación:

- **CAPACIDAD:** el arnés de cuerpo completo se ha diseñado para el uso de las personas con un peso combinado (ropa, herramientas, etc.) de no más de 140 kg (309 lb.). Asegúrese de que todos los componentes del sistema se han preparado para una capacidad adecuada para su aplicación.
- **CAÍDA LIBRE:** Un sistema de detención de caídas debe incluir elementos o funciones de absorción de energía para garantizar que las fuerzas de impacto en el cuerpo del usuario durante la detención de una caída libre se limiten a un máximo de 6 kN (1 349 lbf). Los sistemas de sujeción deben instalarse de manera que no sea posible ninguna caída libre en vertical. Los sistemas de posicionamiento de trabajo deben instalarse de manera que la caída libre se limite a un máximo de 60 cm (24 in.). Los sistemas de sujeción deben instalarse de forma que no sea posible ninguna caída libre en vertical. Los sistemas de rescate deben instalarse de manera que no sea posible ninguna caída libre en vertical. Para más información, consulte las instrucciones del fabricante del subsistema.
- **DISTANCIA DE CAÍDA:** la figura 3 ilustra los componentes de un sistema de detención de caídas. Debe haber una distancia de caída suficiente para detener la caída antes de que el usuario llegue al suelo o se golpee con otro obstáculo. La distancia se ve afectada por una serie de factores, incluidos: (A) longitud de la eslinga, (B) distancia de desaceleración de la eslinga o distancia de detención máxima del SRD, (C) estirado del arnés y fijación y longitud del conector/anilla D (normalmente un factor de seguridad de 0,5 m (1,6 ft.)). Consulte las instrucciones específicas sobre el cálculo de la distancia de caída incluidas con su eslinga o con su dispositivo autorretráctil (SRD).
- **CAÍDA POR BALANCEO:** las caídas por balanceo se pueden producir cuando el punto de anclaje no está directamente por encima del punto donde se produce una caída (consulte la figura 4). La fuerza del golpe contra un objeto en una caída por balanceo puede causar lesiones graves, incluso la muerte. Trabaje en un lugar situado lo más directamente posible por debajo del punto de anclaje para minimizar la posibilidad de caídas con balanceo. No permita que ocurra una caída por balanceo si pudiera ser causa de lesiones. Las caídas por balanceo incrementarán considerablemente la distancia necesaria cuando se utiliza un dispositivo autorretráctil u otro subsistema de conexión de longitud variable.
- **APLICACIONES DE SUSPENSIÓN PROLONGADA Y TRAUMAS PROVOCADOS POR DICHA PRÁCTICA:** los arneses de cuerpo completo no deben utilizarse en aplicaciones de suspensión prolongada. La suspensión prolongada puede provocar traumas. Si el usuario va a estar suspendido durante un tiempo prolongado, se recomienda que utilice algún tipo de soporte en forma de asiento. 3M recomienda un asiento de tablero, un asiento de trabajo de suspensión, una eslinga de asiento o una silla de contramaestre. Póngase en contacto con 3m para obtener más información sobre estos temas.
- **PELIGROS RELACIONADOS CON EL ENTORNO:** el uso de este equipo en zonas con peligros en el entorno puede requerir precauciones adicionales para evitar que se produzcan lesiones personales o daños al equipo. Algunos de los peligros posibles, a modo de ejemplo, podrían ser: calor, productos químicos, entornos corrosivos, líneas eléctricas de alta tensión, gases, maquinaria en movimiento y bordes afilados.

- **ARNESES PARA ENTORNOS CON ALTAS TEMPERATURAS:** los arneses con tejido de Kevlar se han diseñado para el uso limitado en entornos con altas temperaturas: El tejido de Kevlar empieza a arder a entre 425 - 480 °C (800 - 900 °F). El tejido de Kevlar puede soportar una exposición por contacto limitada a temperaturas máximas de 535 °C (1 000 °F). El tejido de poliéster pierde fuerza a entre 145 - 200 °C (300 - 400 °F). El recubrimiento de PVC de los herrajes tiene un punto de fusión de aproximadamente 175 °C (350 °F).

Aunque los herrajes galvanizados o cubiertos de PVC tienen una excelente resistencia a la corrosión en condiciones atmosféricas, alcalinas, ácidas y químicas, es posible que sean necesarias inspecciones frecuentes. Póngase en contacto con 3M si tiene alguna duda sobre el uso de este equipo en entornos peligrosos.

2.0 USO DEL SISTEMA

- 2.1 PLAN DE RESCATE:** cuando utilice este equipo y los subsistemas de conexión, la empresa debe contar con un plan de rescate y los medios necesarios para implementarlo e informar a los usuarios¹, las personas autorizadas² y los responsables del rescate³ acerca del plan.
- 2.2 FRECUENCIA DE INSPECCIÓN:** el arnés de cuerpo completo debe revisarlo el usuario antes de cada uso y una persona competente⁴, que no sea el usuario, en intervalos no superiores al año⁵. Los procedimientos de inspección se describen en el "Registro de inspección y mantenimiento" del Manual de instrucciones. Los resultados de cada inspección por parte de una persona competente deben registrarse en copias del "Registro de inspección y mantenimiento" o realizar un seguimiento de los mismos con el sistema de identificación por radiofrecuencia (RFID) (consulte la sección "Inspección").

Cuando lo exija 3M, debido a la complejidad o a la innovación del equipo o cuando sean necesarios conocimientos para desmontar, volver a montar o evaluar el equipo, las inspecciones periódicas solo deben realizarlas 3M o las personas u organizaciones autorizadas por 3M.

- 2.3 COMPATIBILIDAD DE COMPONENTES:** el equipo 3M está diseñado para su uso solo con componentes y subsistemas aprobados por 3M. Las sustituciones que se hagan con componentes o subsistemas no aprobados pueden poner en peligro la compatibilidad del equipo y afectar a la seguridad y fiabilidad de todo el sistema.
- 2.4 COMPATIBILIDAD DE CONECTORES:** los conectores son compatibles con los elementos de conexión cuando, sin importar cómo queden orientados, se han diseñado para trabajar en conjunto de manera que sus tamaños y formas no provoquen que sus mecanismos de puerta se abran inesperadamente. Póngase en contacto con 3M si tiene alguna duda sobre compatibilidad. Los conectores (ganchos, mosquetones y anillas D) deben poder sostener al menos 22 kN (4 946 lbf). Los conectores deben ser compatibles con el anclaje y los demás componentes del sistema. No utilice equipos que no sean compatibles. Los conectores no compatibles pueden desengancharse de manera accidental (consulte la figura 5). Los conectores deben ser compatibles en tamaño, forma y resistencia. Si el elemento conector al que se acopla un mosquetón con cierre automático (ver imagen) o un mosquetón es más pequeño de lo normal o tiene forma irregular, puede presentarse una situación en que el elemento conector ejerza una fuerza sobre la puerta del gancho de seguridad o del mosquetón. Esta fuerza puede hacer que la puerta se abra y permitir que el mosquetón con cierre automático o el mosquetón se desenganchen del punto de conexión. Se precisan mosquetones con cierre automático y mosquetones con cierre automático.
- 2.5 REALIZACIÓN DE CONEXIONES:** utilice únicamente ganchos de seguridad y mosquetones con cierre automático con este equipo. utilice solo conectores que convengan a cada aplicación. Asegúrese de que todas las conexiones sean compatibles en tamaño, forma y resistencia. No utilice equipos que no sean compatibles. Asegúrese de que todos los conectores estén totalmente cerrados y bloqueados.

Los conectores 3M (mosquetones con cierre automático y mosquetones) están diseñados para usarse solo como se indica en las instrucciones del usuario del producto. Consulte la Figura 6 para ver las conexiones inadecuadas. Los mosquetones con cierre automático y los mosquetones simples de 3M no deben conectarse:

- A una anilla D que tenga otro conector fijado.
- De modo que se aplique una carga sobre la puerta.
- En un acoplamiento en falso, donde los elementos que se proyectan desde el mosquetón con cierre automático o el mosquetón se enganchan al anclaje y, sin confirmación visual, parecieran estar completamente acoplados al punto de anclaje.
- Entre sí.
- Directamente al tejido o eslinga de cuerda o al cabo (a menos que las instrucciones del fabricante tanto para la eslinga como para el conector permitan específicamente esta conexión).
- A cualquier objeto que tenga una forma o dimensión tal que el mosquetón con cierre automático o el mosquetón no se cierren ni se bloqueen o que puedan soltarse.
- De modo que el conector no quede correctamente alineado mientras está soportando carga.

- 2.6 SUBSISTEMAS DE CONEXIÓN:** los subsistemas de conexión (anticaídas autorretráctiles, eslingas, cuerdas y anticaídas, manguitos para cables, etc.) puede que sean necesarios para el uso que usted haga del dispositivo (consulte la sección 1.1). Para obtener más información, consulte las instrucciones del fabricante del subsistema. Algunos modelos de arnés tienen puntos de conexión del lazo de cincha. No utilice mosquetones con cierre automático para conectar los lazos de cincha. Utilice un mosquetón con autobloqueo para conectar un lazo de cincha. Asegúrese de que el mosquetón no puede aplicar la carga en la puerta (carga contra la puerta en lugar de a lo largo del eje principal del mosquetón). Algunas eslingas se han diseñado para bloquearse en un lazo de cincha para proporcionar una conexión compatible. Las eslingas se pueden coser directamente al lazo de cincha para formar una conexión permanente. No realice varias conexiones en un lazo de cincha, a menos que se bloqueen dos eslingas en un lazo de cincha del tamaño adecuado. Para bloquear la eslinga en un lazo de cincha (figura 7): A) Inserte el lazo de cincha de la eslinga por el lazo de cincha o anilla D del arnés. B) Inserte el extremo adecuado de la eslinga por el lazo de cincha de la eslinga. C) Tire de la eslinga por el lazo de cincha de conexión para asegurarla.

- 2.7 FIJACIONES DE USO DE LA ESLINGA:** la figura 8 muestra las fijaciones de uso de eslinga. La fijación de uso de eslinga se destina a fijar el extremo libre de un dispositivo autorretráctil montado en arnés o eslinga cuando no está conectado a un punto de conexión de anclaje para proteger de las caídas. La fijación de uso de la eslinga no debe usarse nunca como un elemento de fijación anticaídas del arnés para conectar una eslinga o un dispositivo autorretráctil (A). Cuando no esté conectado a un punto de conexión de anclaje, el ramal no conectado de una eslinga debe fijarse de forma adecuada en el arnés (B) o asegurarse a la mano del usuario como en los usos de 100 % de amarre (Tie-Off) (C). Los ramales libres de las eslingas (D) pueden hacer tropezar al usuario o engancharse con los objetos que se encuentran a su alrededor, provocando así una caída.

- 1 Usuario:** una persona que realiza actividades en altura y está protegido por un sistema personal de protección contra caídas.
- 2 Persona autorizada:** una persona asignada por el empleador para realizar tareas en una ubicación donde estará expuesto a riesgo de caída.
- 3 Rescatador:** persona o personas, que no sean el sujeto que se pretende rescatar, que actúan para realizar un rescate asistido mediante un sistema de rescate.
- 4 Persona competente:** una persona capaz de identificar peligros existentes y predecibles en los alrededores o condiciones de trabajo antihigiénicas, peligrosas o perjudiciales para los empleados, y que cuenta con autorización para tomar medidas correctivas rápidas para eliminarlos.
- 5 Frecuencia de inspección:** las condiciones de trabajo extremas (entornos hostiles, uso prolongado, etc.) hacen que sea necesario aumentar la frecuencia de las inspecciones que realizan las personas competentes.

3.0 USO DEL ARNÉS

3.1 ANTES DE CADA USO del equipo inspecciónelo de acuerdo con el apartado "Registro de inspección y mantenimiento" (tabla 1).

3.2 PLANIFIQUE el sistema antes de utilizarlo. Tenga en cuenta todos los factores que puedan afectar a su seguridad durante el uso de este equipo. La siguiente lista proporciona los puntos importantes que deben tenerse en cuenta cuando se planifica el sistema:

- **Anclaje:** seleccione un anclaje que cumpla los requisitos de carga estática de la aplicación de protección contra caídas (consulte la sección 1.1). La ubicación del anclaje debe cumplir las limitaciones medioambientales, de caída por balanceo, distancia de caída y caída libre descritas en la sección 1.4.
- **Bordes afilados:** evite trabajar donde los componentes del sistema puedan entrar en contacto con bordes afilados o desgastarse contra ellos.
- **Después de una caída:** los componentes que se han sometido a fuerzas de detención de caída deben retirarse del servicio y destruirse.
- **Rescate:** la empresa debe tener un plan de rescate cuando se utiliza este equipo. El empleador debe tener la capacidad de realizar un rescate rápido y seguro.
- **Arneses de rescate:** los arneses de rescate (EN1497) están diseñados para su uso durante actividades normales de trabajo. Antes de utilizar los elementos de fijación del sistema de rescate por primera vez, el usuario debe realizar una prueba de suspensión en condiciones seguras para garantizar que el arnés tiene el tamaño adecuado y se ajusta para una comodidad óptima durante la suspensión.
- **Posicionamiento de trabajo:** Considere siempre la necesidad de usar un sistema de protección personal contra caídas de respaldo (por ejemplo, un sistema anticaídas) cuando use un sistema de posicionamiento de trabajo. Utilice siempre un punto de anclaje colocado a nivel de la cintura o por encima de él.

3.3 HEBILLAS: los arneses de cuerpo completo cuentan con varias hebillas que sujetan y ajustan las correas para las piernas y el tórax. Los cinturones corporales del arnés tienen una hebilla con pasador. Consulte la figura 1 para ver los tipos de hebillas del arnés. La figura 9 ilustra el funcionamiento de las siguientes hebillas.

1. Hebillas de conexión rápida:

- A. para ajustar las hebillas de conexión rápida, inserte la lengüeta en el receptor hasta que se escuche un clic.
- B. para ajustar la correa de malla adjunta: tire de la correa de malla hacia adelante o hacia atrás a través de la ranura de la hebilla para apretarla o aflojarla.
- C. para soltar la hebilla de conexión rápida: apriete las palancas de bloqueo de cada lado del receptor. Saque la lengüeta del receptor.

2. Hebillas pasantes:

- A. inserte el lado "macho" de la hebilla a través de la ranura del lado "hembra".
- B. ajuste la correa que queda libre para que el lado "macho" de la hebilla quede a ras con el lado "hembra". Asegure el extremo de correa que queda libre en el portacorreas.

3.4 AJUSTES: los arneses están equipados con un par de ajustadores para torso para ajustar las correas de los hombros. La figura 10 ilustra el ajuste de los ajustadores para torso:

1. Ajustadores para torso tipo paracaídas: para ajustar las correas de los hombros con los dispositivos de ajuste tipo paracaídas:

- A. tire de la correa que queda libre para apretar la correa de hombro. Para aflojar la correa de hombro, tire de la correa que queda libre y después hacia atrás a través del dispositivo de ajuste tipo paracaídas.
- B. Cuando esté bien ajustada, asegure el extremo de correa que queda libre en el portacorreas.

Si está presente la gestión del extremo de la banda de velcro (consulte la Figura 11), enrolle la correa de banda libre hasta que esté apretada (A), junte las tiras de velcro sobre la correa y asegure las rayas (B). Asegúrese de que el rollo esté apretado y el sujetador de la correa esté desplazado cerca del rollo (C).

3.5 MONTAJE Y AJUSTE DEL ARNÉS DE CUERPO COMPLETO: la figura 13 ilustra el montaje y ajuste del arnés de cuerpo completo. Antes de cada uso, inspeccione el arnés con la lista de verificación de "Registro de inspección y mantenimiento" (tabla 1). Para montar y ajustar el arnés:

Los procedimientos para abrochar y ajustar las correas del arnés variarán en función del modelo del arnés. Consulte las secciones de la 3.3 a la 3.4 y las figuras de la 9 a la 10 para obtener más información.

1. Levante y sujete el arnés por la anilla D dorsal trasera. Asegúrese de que las correas no están torsionadas.
2. Agarre las correas para los hombros y deslice el arnés por un brazo. La anilla D dorsal se ubicará en la parte trasera del cuerpo. Asegúrese de que las correas no están enredadas y cuelgan libremente. Deslice el brazo libre en el arnés y coloque las correas para los hombros sobre los hombros. Si el arnés se coloca correctamente, la correa y la hebilla para el tórax se ubicarán en la parte delantera.
3. Coja la correa de la pierna derecha entre las piernas. Levante la correa entre las piernas. Abróchela a la hebilla de acoplamiento de la cadera derecha y ajuste la correa para la pierna de forma que quede ceñida pero cómoda (consulte la sección 3.3 para ver el funcionamiento de la hebilla). Cuando esté ajustada correctamente, inserte el extremo libre de la correa para la pierna bajo el portacorreas.
Repita este proceso para abrochar y ajustar la correa para la pierna izquierda.
4. Ajuste y cierre la hebilla del cinturón de cadera con hebilla con pasador si su dispositivo lo tiene. (consulte la sección 3.3 para obtener información sobre el funcionamiento de la hebilla con pasador).
5. Ajuste y abroche la correa para el tórax (consulte la sección 3.3 para obtener información sobre el funcionamiento de la hebilla). La correa para el tórax deberá estar 15 cm (6 in) por debajo de la parte superior de los hombros. Cuando esté ajustada correctamente, inserte el extremo libre de la correa para el tórax bajo el portacorreas.
6. Ajuste las correas para los hombros de forma que queden ceñidas con los ajustadores para torso (consulte la

sección 3.4 para obtener información sobre los ajustadores para torso). Los laterales izquierdo y derecho de las correas de hombro se deben ajustar al mismo largo y la correa de tórax debe centrarse en la parte inferior del tórax, 15 cm (6 in.) por debajo de los hombros. La anilla D dorsal trasera debe quedar centrada entre los omóplatos. Si la anilla D para el esternón delantera está presente, se debe ubicar lateralmente en un espacio de 5 cm (2 in.) con respecto a la línea central vertical del arnés.

Verifique regularmente los elementos de fijación y ajuste durante el uso.

3.6 USO DEL ELEMENTO DE FIJACIÓN O LA ANILLA D DE DETENCIÓN DE CAÍDAS: Los puntos de anclaje para la detención de caídas están marcados con la letra mayúscula "A". Para las aplicaciones de detención de caídas, conecte la anilla D dorsal o el elemento de fijación en la espalda, entre los omóplatos, o la anilla D para el esternón delantera elemento de fijación en su pecho. Si hay anillas D presentes, solo se deben utilizar para aplicaciones de posicionamiento o retención. Los elementos de fijación para los hombros se destinan solo a las aplicaciones de rescate o recuperación. La anilla D para el esternón delantera se destina al posicionamiento o la ascensión de escaleras. Las anillas D del asiento de suspensión se destinan solo a aplicaciones de suspensión o posicionamiento. Consulte la Sección 1.1.

3.7 CÓMO REALIZAR CONEXIONES: cuando utilice un gancho para la conexión al anclaje o cuando acople los componentes del sistema, asegúrese de que no haya posibilidad de deslizamiento. Esto ocurre cuando se abre la apertura del gancho por accidente y éste se suelta, debido a una interferencia entre el gancho y el conector de acoplamiento. Para evitar la posibilidad de que se suelte, deben utilizarse ganchos y mosquetones con cierre automático. No use ganchos ni conectores que no se cierren completamente sobre el objeto de fijación. Para obtener más información sobre cómo realizar las conexiones, consulte las instrucciones del fabricante del subsistema.

3.8 CONEXIÓN DE LOS COMPONENTES DEL SISTEMA: tras ajustar el arnés, el usuario podrá conectar el resto de componentes del sistema. Siga las directrices de la sección 2 y las instrucciones del fabricante incluidas en el componente.

4.0 INSPECCIÓN

4.1 FRECUENCIA DE INSPECCIÓN: el arnés de cuerpo completo se debe inspeccionar en los intervalos definidos en la sección 2.2. Los procedimientos de inspección se describen en el "Registro de inspección y mantenimiento" (tabla 1).

4.2 DEFECTOS: si, tras realizar la inspección, se determina que hay alguna pieza defectuosa, no vuelva a utilizar el arnés y destrúyalo.

4.3 VIDA ÚTIL DEL PRODUCTO: la vida útil de los arneses se determina según las condiciones de uso y mantenimiento. Su máxima vida útil puede oscilar entre un año en casos de uso frecuente en condiciones extremas y 10 años en casos de poco uso en condiciones normales. Siempre que el producto pase los criterios de inspección, puede seguir, hasta un máximo de 10 años.

5.0 MANTENIMIENTO, REPARACIÓN Y ALMACENAMIENTO

No limpie ni desinfecte el producto mediante ningún método que no sea el descrito en las siguientes instrucciones de limpieza. Otros métodos pueden tener efectos adversos sobre el producto o el usuario.

5.1 LIMPIEZA: Los arneses de cuerpo entero de 3M deben limpiarse de acuerdo con las instrucciones de 3M. Para limpiar el arnés, lávelo con un detergente suave sin lejía y luego enjuáguelo. Posteriormente, el arnés debe colgarse para que se seque al aire. El agua utilizada para la limpieza y las temperaturas utilizadas para secar al aire nunca deben exceder los 130 °F (54,4 °C). Para obtener más información, consulte el boletín técnico en nuestro sitio web: <http://www.3M.com/FallProtection/WebCleaning>

Si tiene alguna pregunta sobre los procedimientos de limpieza, comuníquese con el Servicio Técnico de 3M.

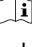
5.2 REPARACIONES: Los arneses de cuerpo completo no son reparables. Si el arnés se ha sometido a una fuerza de caída o la inspección revela unas condiciones inseguras o defectos, retírelo del servicio y destrúyalo inmediatamente.

5.3 ALMACENAMIENTO Y TRANSPORTE: almacene y transporte el arnés de cuerpo completo en un entorno frío, seco y limpio alejado de la luz solar directa. Evite las zonas donde pueda haber vapores químicos. Inspeccione exhaustivamente el arnés después de un período prolongado de almacenamiento.

6.0 ETIQUETADO

la figura 14 ilustra las etiquetas de productos y su ubicación en el arnés de cuerpo completo. Todo el etiquetado debe estar presente y ser completamente legible.

La información de las etiquetas es la siguiente:

1	(A) Punto de anclaje para detención de caídas, marcado con la letra mayúscula "A" (B) Ubicación de la etiqueta
2	(A) Registro de inspección (B) Número de serie (C) Inspección inicial (D) Fecha (E) No quitar esta etiqueta.
3	(A) Etiqueta de información para el usuario
4	(A) Número de serie (B) Mes de fabricación (C) Año de fabricación (D) Número de lote (E) Número de modelo (F) Norma europea (G) Capacidad (H) Tamaño (I)  Consulte las instrucciones (J) Marca CE (K) Número de organismo notificado que lleva a cabo la inspección de conformidad con respecto al tipo (L) Tamaño del cinturón del cuerpo

Enne nende täisrakmete kasutamist lugege läbi ja tehke selgeks endale kogu käesolevas juhendis kirjeldatud ohutusteave ning järgige seda. SELLE REEGLI EIRAMINE VÕIB PÕHJUSTADA TÕSISEID VIGASTUSI VÕI SURMA.

Kasutusjuhend tuleb anda varustuse kasutajale. Jätke juhend edasiseks kasutamiseks alles.

Otstarbekohane kasutamine:

need täisrakmed on mõeldud kasutamiseks osana kogu keha toetavast kukkumisvastasest varustusest.

Ettevõtte 3M ei kiida heaks kasutamist mis tahes teistes rakendustes, sealhulgas, kuid mitte ainult materjalikäitluses, vabaaja- või sporditegevustes või teistes käesolevas kasutusjuhendis kirjeldamata tegevustes, ning see võib põhjustada tõsiseid vigastusi või surma.

Seadet võivad kasutada ainult asjakohase väljaõppe läbinud kasutajad töökeskkonnas.

HOIATUS

Need täisrakmed on osa isiklikust kukkumisvastasest varustusest. Eeldame, et kõik kasutajad läbivad põhjaliku väljaõppe isikliku kukkumisvastase varustuse ohutu paigaldamise ja kasutamise kohta. **Selle seadme väärkasutus võib põhjustada tõsiseid vigastusi või surma.** Õige valiku, kasutamise, paigaldamise, hoolduse ja hooldamise kohta leiab teavet sellest kasutusjuhendist ja kõikidest tootja soovitudest, küsige juhiseid ülevaatajalt või võtke ühendust ettevõtte 3M tehnilise toega.

- **Toimige järgmiselt, et vähendada täisrakmetega töötamisega seotud ohte, mille eiramine võib põhjustada raskeid vigastusi või surma.**
 - Kontrollige seadet enne iga kasutuskorda, vähemalt kord aastas ning pärast iga kukkumist. Kontrolli teostamisel lähtuge kasutusjuhendist.
 - Kui märkate kontrolli käigus ohuolukorda või defekte, kõrvaldage seade kasutuselt ja hävitage see.
 - Iga seade, millel on kukkumiskaitse rakendunud või millele on mõjunud löögid, tuleb viivitamatult kasutuselt kõrvaldada ja hävitada.
 - Veenduge, et rakmeid kantakse õigesti, need on õige suurusega ja õigesti reguleeritud.
 - Veenduge, et kõik alamsüsteemid (nt paelad) on ohutud, sealhulgas, kuid mitte ainult, kaitstud teiste tööliste, teie enda, liikuvate masinate vm ümbritsevate objektide külge takerdumise eest.
 - Veenduge, et erinevate tootjate valmistatud osadest kokku pandud kukkumisvastane varustus / allsüsteemid ühilduvad ning on kooskõlas kohaldatavate standardite nõuetega, sh standardiga ANSI Z359 või teiste kohalduvate kukkumisvastast kaitset käsitlevate eeskirjade, standardite või nõuetega. Enne vastavate süsteemide kasutamist konsulteerige alati pädeva või kvalifitseeritud töötajaga.
- **Selleks, et vähendada kõrgustes töötamisega kaasnevat ohte, mille eiramine võib põhjustada tõsiseid vigastusi või surma, toimige järgmiselt.**
 - Veenduge, et teie tervislik ja füüsiline seisund võimaldaks teil kõikide kõrgustes töötamisega kaasnevate ohtudega edukalt toime tulla. Kui teil tekib käesoleva seadme kasutusoskusega seoses küsimusi, konsulteerige oma arstiga.
 - Ärge kunagi ületage kukkumisvastase varustuse lubatud kandevõimet.
 - Ärge kunagi ületage kukkumisvastase varustuse maksimaalset vaba kukkumise kõrgust.
 - Ärge kunagi kasutage kukkumisvastast varustust, mis ei läbi kasutuseelset või plaanilist kontrolli, või kui tekib kahtlus seadme asjaomase rakenduse jaoks kasutamise või sobivuse suhtes. Küsimuste korral võtke ühendust ettevõtte 3M tehnilise teenuse töötajaga.
 - Mõned süsteemid või elemendid võivad pärssida selle varustuse toimet. Kasutage ainult ühilduvaid ühendusi. Varustuse kasutamisel koos kasutusjuhendis kirjeldamisele mittetulevate seadmete või alamsüsteemidega konsulteerige ettevõttega 3M.
 - Töötades liikuvate masinate (nt nafta puurtorni ülemine ajam) lähedal; keskkonnas, kus tuleb arvestada elektriõhu, äärmuslike temperatuuride, ohtlike kemikaalide, plahvatusohtlike või mürgiste gaaside, teravate servade või allnimetatud rippuvate materjalidega, mis võivad teile või kukkumisvastasele varustusele peale kukkuda, tuleb olla eriti ettevaatlik.
 - Kasutage kõrge temperatuuriga keskkonnas kaareülelöögi eest kaitsvaid seadmeid või kuumsurvetöötuse seadmeid.
 - Vältige kokkupuudet pindade ja objektidega, mis võivad kasutajat või seadet kahjustada.
 - Veenduge, et kõrgustes töötamise korral on kukkumisruum piisav.
 - Ärge modifitseerige ega muutke kukkumisvastast varustust. Varustust võivad remontida ainult ettevõtte 3M või viimase poolt selleks kirjalikult volitatud osapooled.
 - Enne kukkumisvastase varustuse kasutamist veenduge, et on olemas päästekava, mis võimaldab kukkumise korral kiiret päästetegevust.
 - Kukumise korral võimaldage kukkunud töötajale viivitamatut arstiabi.
 - Ärge kasutage kukkumisvastase varustuse talje võõd. Kasutage ainult kogu keha toetavat süsteemi.
 - Vähendage võimaliku kukkumisega kaasneva kiikumisliigutuse amplituudi, töötage selleks vahetult nii ankurduspunkti all kui võimalik.
 - Käesoleva seadme kasutamise väljaõppe läbiviimisel tuleb kasutada täiendavat kukkumisvastast varustust, et kaitsta koolitatavat isikut tahtmatu kukkumise eest.
 - Varustuse/süsteemi paigaldamisel, kasutamisel või kontrollimisel kasutage sobivaid isikukaitsevahendeid.

Enne selle varustuse kasutuselevõtmist kirjutage tehasesildilt välja toote tuvastamist võimaldavad andmed, mis on vajalikud käesoleva kasutusjuhendi lõpus toodud ülevaatus- ja hoolduspäeviku täitmiseks.

Veenduge alati, et kasutate 3M kasutusjuhendi uusimat versiooni. Uusimad kasutusjuhendid leiате ettevõtte 3M veebilehelt või võtke ühendust ettevõtte 3M tehnilise teenindusega.

KIRJELDUS

Joonisel 1 on näidatud saadaolevad 3M™ Protecta® täisrakmete mudelid. Rakmete mudelid on saadaval erinevate kombinatsioonidega järgmistest tunnusjoontest.

	Tähis joonisel 1	Kirjeldus
Suurused	S, M/L, XL	Väike (S), keskmine/suur (M/L), eriti suur (XL)
	Ⓑ	Keha vöö suurus sentimeetrites
Kinnituselemendid	①	Seljaosa D-rõngas
	②	Rinnaosa D-rõngas
	③	Vaagnaosa D-rõngad
	④	Õlakinnitus
Pandlad	⑤	Kiirlukustusega pandlad
	⑥	Fiksaatorplaadiga raampandlad
Reguleerimisplandlad	⑦	Õlarihmade reguleerimisplandlad
Pehmendused	⑧	Vöö ja vaagnaosa pehendus
	⑨	Jalaosa pehendus
Muud omadused	⑩	Eralduvad iselähtestuvad köiehoidikud
	⑪	Rihmaotste haldus. Vt joonist 11.
	⑫	Päästevöö
	⑬	Instrumendi silmus

TEHNILISED ANDMED

Jõudlus	
Maksimaalne pidurdusjõud:	6 kN (1 349 lbf)
Kandevõime:	140 kg (310 lb.)
Töötemperatuur:	Minimaalne: -35 °C (-31 °F) Maksimaalne: +57 °C (135 °F)

Materjalid	
Lindid	Polüester - 22 kN (4 946 lbf) purunemistugevus
Pehmenduste katted	Nailoni ja polüestri segu
Sildi kate	Nailoni ja polüestri segu
Õmblus	Polüesterõmblus polüesterrihmal
D-rõngad	Legeerteras - 22 kN (4 946 lbf) purunemistugevus
Kiirlukustusega pandlad	Teras, roostevaba teras ja legeerteras - 18 kN (4 047 lbf) purunemistugevus
Fiksaatorplaadiga raampandlad	Legeerteras - 18 kN (4 047 lbf) purunemistugevus
Õlarihmade reguleerimisplandlad	Legeerteras - 18 kN (4 047 lbf) purunemistugevus

1.0 RAKENDUSED

1.1 EESMÄRK: täisrakmed on mõeldud kasutamiseks isikliku kukkumiskaitse süsteemi osana, mis takistab kukkumist või pidurdab kukkumist ohutult (vt joonist 2). Täisrakmeid kasutatakse järgmistes rakendustes.

(A)	Allakukkumise peatamissüsteem (EN360, EN361, EN355): isiklik allakukkumise peatamissüsteem koosneb tavaliselt täisrakmetest ja ühendatud alamsüsteemist (energiat neelav köis, isekeriv tross jms). Maksimaalne peatamisjõud ei tohi ületada 6 kN (1 349 lbf). <i>Ankru tugevus:</i> valitud ankur peab taluma vähemalt 12 kN (2 698 lbf) koormust.
(B)	Töösensisse paigutamine (EN358, EN813): töösensisse paigutamise süsteem koosneb tavaliselt täisrakmetest, töösensisse paigutamise trossist ja isikliku allakukkumise peatamissüsteemi varusüsteemist. Töösensisse paigutamise rakenduste puhul ühendage töösensisse paigutamise alamsüsteem (nt tross, Y-tross vms) alumise (vaagna tasemel) külgmise või rihmale kinnitatud töösensisse paigutamise kinnituspunktiga (D-rõngad). Ärge kasutage neid kinnituspunkte kunagi allakukkumise peatamise jaoks. <i>Kinnituselemendid:</i> esiosa, vaagnaosa. <i>Ankru tugevus:</i> valitud ankur peab taluma vähemalt 12 kN (2 698 lbf) koormust.
(C)	Ronimine (EN353-1): täisrakmeid kasutatakse ronimissüsteemi komponendina, et hoida ära kasutaja kukkumine redelilt või muult ronimisstruktuurilt. Ronimissüsteem koosneb tavaliselt täisrakmetest, ronimisstruktuuri külge kinnitatud vertikaalsest kinnitusliinist või relsist ja ronimisjuhikust. Redelil ronimisel võib kasutada allakukkumise peatamissüsteemi ühendamiseks rinnaosa D-rõngast, kui ronitakse fikseeritud redelronimissüsteemidel. <i>Kinnituselemendid:</i> rinnaosa. <i>Ankru tugevus:</i> struktuur, mille külge ronimissüsteem kinnitatakse, peab taluma koormust, mis vastab ronimissüsteemi tootja dokumentatsioonis toodud nõuetele.
(D)	Pääste (EN1496, EN1497, EN1498): täisrakmeid kasutatakse päästesüsteemi komponendina. Päästesüsteemid konfigureeritakse olenevalt päästetegevuse tüübist. Piiratud juurdepääsuga rakenduste (kitsad ruumid) puhul võib õlgadel olevaid D-rõngaid kasutada kitsasse ruumi sisenemiseks ja väljumiseks, kui töötaja profiil seda nõuab. <i>Kinnituselemendid:</i> seljaosa, rinnaosa, esiosa, õlaosa. <i>Ankru tugevus:</i> valitud ankur peab taluma vähemalt 4,5 kN (1 012 lbf) koormust.
(E)	Kontrollitud laskumine (EN341): kontrollitud laskumise rakendustes võib kasutada laskumis- või evakueerimissüsteemiga ühendamiseks üksiku seljaosa D-rõngaga, ühe või kahe eesmise D-rõngaga või vöökohast madalamale jäävat kinnituspunktide paari (nt istevöö). <i>Kinnituselemendid:</i> seljaosa, rinnaosa, eesosa. <i>Ankru tugevus:</i> valitud ankur peab taluma vähemalt 12 kN (2 698 lbf) koormust.
(F)	Turvalliin (EN354): täisrakmeid kasutatakse turvaliinisüsteemi komponendina, et kaitsta kasutajat kukkumisohtu eest. Turvaliinisüsteem koosneb tavaliselt täisrakmetest ja trossist või köiest. <i>Kinnituselemendid:</i> seljaosa, rinnaosa, eesosa, vaagnaosa. <i>Ankru tugevus:</i> valitud ankur peab taluma vähemalt vähemalt 18 kN (4 047 lbf), kui kaelapaelad, sealhulgas tekstiilmaterjalid või tekstiilrihmad, nt. kasutatakse sünteetiliste kiudude köied või lindid. Kui kasutatakse täielikult metallist elemente, peavad kinnituspunktid olema koormusega vähemalt 12 kN (2 698 lbf).

1.2 STANDARDID: rakmed, mida käesolevas juhendis käsitletakse, vastavad käesoleva juhendi esikaanel märgitud standardi(te)le. Kui seda toodet müüakse mujal kui algses sihtriigis, siis edasimüüja peab esitama need kasutusjuhised selle riigi riigikeeles, kus toodet kasutatakse.

1.3 VÄLJAÕPE: selle varustuse ostja ja kasutaja peab tagama, et ta on käesoleva juhendiga tutvunud ning ta oskab varustust hooldada ja kasutada ning on teadlik varustuse tehnilistest näitajatest, piiridest ja väärkasutuse tagajärgedest.

1.4 PIIRANGUD: kaaluge enne selle varustuse kasutamist alati järgmisi piiranguid.

- **KANDEVÕIME:** täisrakmed on mõeldud isikutele, kelle kombineeritud kaal (rõivad, tööriistad jms) ei ületa 140 kg (309 lb.). Veenduge, et kõik süsteemi komponendid on teie rakenduse jaoks sobiva kandevõimega.
- **VABAKUKKUMINE:** Langevarustussüsteem peab sisaldama energiat absorbeerivaid elemente või funktsioone, mis tagavad, et kasutaja keha löökjõud vabalangemise peatamisel on maksimaalselt 6 kN (1 349 lbf). Turvaliinisüsteemid tuleb paigutada selliselt, et vertikaalne vabakukkumine pole võimalik. Töösensisse paigutamise süsteemid tuleb reguleerida selliselt, et vabakukkumine on piiratud max 60 cm (24 in.). Töötajate veosüsteemid tuleb paigutada selliselt, et vertikaalne vabakukkumine pole võimalik. Päästesüsteemid tuleb paigutada selliselt, et vertikaalne vabakukkumine pole võimalik. Lisateavet vt alamsüsteemi tootja juhendist.
- **KUKKUMISRUUM:** joonis 3 näitab allakukkumise peatamissüsteemi komponente. Allakukkumise peatamiseks peab olema piisav kukkumisruum, enne kui kasutaja jõuab maapinnale või muu takistuse vastu. Kukkumisruumi mõjutavad mitmed tegurid, sh: (A) trossi pikkus, (B) trossi pidurdusmaa või SRD maksimaalne pidurdusmaa, (C) rakmete venimine ja D-rõnga/konnektori pikkus ning vajumine (tavaliselt ohutustegur 0,5 m (1,6 ft.)). Lisateavet kukkumisruumi arutamise kohta vt oma kukkumishoo leevendi või isekeriva trossiga kaasnenud juhendist.
- **KIIKUV KUKKUMINE:** kiikuv kukkumine toimub juhul, kui ankurduspunkt ei paikne võimaliku kukkumise korral vahetult töötaja kohal (vt joonis 4). Põrkamine kiikuvale kukkumisel vastu mõnda eset võib tuua kaasa raskeid vigastusi või surma. Vähendage võimaliku kukkumisega kaasneva kiikumislüügituse amplituudi, töötage selleks vahetult nii ankurduspunkti all kui võimalik. Hoiduge kiikuva kukkumise ohust, kui see võib tuua kaasa vigastusi. Kiikuvad kukkumised vajavad tavaliselt ka palju rohkem kukkumisruumi, kui kasutatakse isekerivat trossi vm muutuva ühenduspikkusega alamsüsteemi.
- **PIKAAJALINE RIPPUMINE JA RIPPUMISTRAUMA:** täisrakmed pole mõeldud pikemal istumisel kasutamiseks. Pikaajaline rippumine võib põhjustada rippumistrauma. Kui kasutaja ripub pikemalt, on soovitatav kasutada mingis vormis istetuge. 3M soovib isteplaati, istet, istevööd või pootsmanitooli. Küsige nende kohta lisa ettevõttelt 3M.
- **KESKKONNAOHUD:** selle varustuse kasutamine keskkonnohtudega aladel võib nõuda täiendavaid ettevaatusabinõusid, et vältida kasutaja vigastamist või seadmete kahjustamist. Ohtude hulgas on muu hulgas: kuumus, kemikaalid, söövitavad keskkonnad, kõrgepingeliinid, gaasid, tehnika ja teravad servad.
- **RAKMED KÕRGE TEMPERAATUURIGA KESKKONDA:** kevlarist rihmadega rakmed on mõeldud kasutamiseks kõrge temperatuuriga keskkonnas koos järgmiste piirangutega: kevlarist rihmad hakkavad söestuma 425 - 480 °C (800 - 900 °F) juures. Kevlarist rihmad taluvad piiratud kokkupuudet kuni 535 °C (1 000 °F) kuumusega. Polüesterrihmad kaotavad tugevuse 145 - 200 °C (300 - 400 °F) juures. Riistvara PVC-ümbrise sulamispunkt on umbes 175 °C (350 °F).

Kuigi PVC-ümbrisega ja tsingitud riistvara on äärmiselt korrosioonikindel nii kemikaalide, hapete, leeliste kui ka atmosfääritingimuste suhtes, on sage kontrollimine siiski vajalik. Kui kahtlete, kas saate varustust kasutada ohtlikes keskkondades, konsulteerige ettevõttega 3M.

2.0 SÜSTEEMI KASUTAMINE

- 2.1 PÄASTEPLAAN:** selle varustuse kasutamisel ja alamsüsteemide ühendamisel tuleb tööandjal töötada välja päästeplaan, näha ette päästeplani realiseerimiseks vajalikud vahendid ning viia kasutajad¹, volitatud isikud² ja päästjad³ päästeplaaniga kurssi.
- 2.2 ÜLEVAATUSE INTERVALL:** kasutaja peab kontrollima neid täisrakmeid enne iga kasutuskorda ja pädev isik, kes pole kasutaja⁴, peab kontrollima seda vähemalt sagedusega kord aastas⁵. Ülevaatuse protseduurid on toodud *kasutusjuhendi lõpus ülevaatus- ja hoolduspäevikus*. Iga päeva isiku kontrolli tulemused tuleks dokumenteerida *ülevaatus- ja hoolduspäevikus* või neid tuleks jälgida RFID-süsteemiga (vt *Ülevaatus*).

Kui seda nõuab 3M, lähtudes varustuse keerulisusest või innovatsioonist või juhul, kui osandamine, monteerimine või seisukorra hindamine nõuab eriteadmisi, saavad perioodilisi ülevaatusi teha ainult ettevõtte 3M töötajad.

- 2.3 ÜHILDUVAD ELEMENDID:** ettevõtte 3M varustus on mõeldud kasutamiseks ainult ettevõtte 3M heakskiidetud komponentide ja alamsüsteemidega. Elementide asendamine või väljavahetamine kinnitust mitteomavate elementide või alamsüsteemide vastu seab ohtu varustuse ühilduvuse ja vähendab terve süsteemi ohutust ning töökindlust.
- 2.4 LIITMIKE ÜHILDUVUS:** Liitmikud ühilduvad ühendusdetailidega juhul, kui need on koos toimimiseks välja töötatud nii, et nende mõõtmed ja vormid ei põhjusta liitmike värvamehhanismide soovimatut avanemist hoolimata sellest, kuidas need on suunatud. Juhul kui teil tekib küsimusi ühilduvuse kohta, võtke ühendust ettevõttega 3M. Liitmikud (haagid, karabiinid ja D-rõngad) peavad taluma vähemalt 22 kN (4 946 lbf). Liitmikud peavad ühilduma ankurdussüsteemide ja süsteemi muude elementidega. Mitteühilduvat varustust mitte kasutada. Mitteühilduvad liitmikud võivad kinnitusest ootamatult lahti tulla (vt joonist 5). Liitmikud peavad ühilduma oma mõõtmete, kuju ja tugevusomaduste poolest. Juhul kui ühenduselement, mille külge kinnitatakse vedruhaak (illustratsioonil) või karabiin, on liiga väiksemõõduline või ebasobiva kujuga, võib ette tulla olukordi, kus liiteelemendi avaldatav jõud rakendub vedruhaagi või karabiini haagile. Selliselt mõjuv jõud võib põhjustada värava avanemise, mille tagajärjeks on iselukustuva konksu või karabiini irdumine ühenduspunktist. Kasutatavad konksud ja karabiinid peavad olema iselukustuvad.
- 2.5 ÜHENDUSTE TEGEMINE:** kasutage selle varustusega ainult iselukustuvaid vedruhaake ja karabiine. Kasutage ainult iga rakenduse jaoks sobivaid liitmikke. Veenduge, et kõik liitmikud ühilduksid omavahel nii mõõtmete, kuju kui ka tugevusomaduste poolest. Mitteühilduvat varustust mitte kasutada. Veenduge selles, et kõik liitmikud oleks korrektselt sulgunud ja lukustunud.

Ettevõtte 3M liitmikud (vedruhaagid ja karabiinid) on mõeldud kasutamiseks üksnes vastava toote kasutusjuhendis kirjeldatud viisil. Joonisel 6 on kujutatud ebakorrektselt tehtud ühendusi. Ettevõtte 3M vedruhaagid ja karabiinid ei tohiks olla ühendatud:

- A. D-rõngaga, mille külge on kinnitatud teine liiteelement.
 - B. Väravale koormust avaldaval viisil.
 - C. Valesse pessa, viltu ega kohta, kus iselukustuvast konksust või karabiinist väljaulatuvad elemendid võivad ankrutaaha takerduda. Samuti ei ole lubatud teha ühendusi ilma visuaalse kinnitusega korrekse liite tegemise kohta ankurduspunktiga.
 - D. Teineteise külge.
 - E. Vahetult lindi, köie või otsariba külge (välja arvatud juhul, kui nii rihma kui ka liitmiku tootja juhised lubavad selgesõnaliselt sellist liidet teha).
 - F. Mitte ühegi sellise eseme külge, mille kuju või mõõtmed ei võimalda iselukustuval konksul või karabiinil täielikult sulguda ja lukustada või millega kaasneb oht ühenduse lahtijooksmiseks.
 - G. Liitmikku koormuse all valesse asendisse sundival viisil.
- 2.6 ALAMSÜSTEEMIDE ÜHENDAMINE:** ühendatud alamsüsteemid (tagasitõmbuv julgestusköis, tross, köiehaaratsid ja julgestusköis, ronimisjuhk jms) peavad sobima kokku teie rakendusega (vt lõiku 1.1). Lisateavet vt alamsüsteemi tootja juhendist. Mõnedel rakmete mudelitel on rihmasilmumestest ühenduspunktid. Ärge kasutage rihmasilmumestega ühendamiseks vedruhaake. Kasutage rihmasilmumestega ühendamiseks iselukustuvat karabiini. Veenduge, et karabiin ei saa lahti tulla (koormus on haagi vastas, mitte piki karabiini katkestusteta külge). Mõned köied on loodud kinnituma rihmasilmumestele, et pakkuda sobivat ühendust. Köied saab ömmelda otse rihmasilmumest külge, et moodustada püsiv ühendus. Ärge tehke ühe rihmakinnitusega mitut ühendust, kui te ei kinnita just kahte köit sobiva suurusega rihmasilmumest külge. Köie kinnitamiseks rihmasilmumest külge (joonis 7): A) Sisestage köie rihmasilmumest läbi rakmetel oleva rihmasilmumest või D-rõnga. B) Sisestage köie sobiv ots läbi köie rihmasilmumest. C) Tõmmake köis läbi ühendava rihmasilmumest pingule.
- 2.7 KÖIEPIDUR:** joonisel 8 on näidatud köiepidur. Köiepiduri kinnitused on mõeldud köie või rakmetele kinnitatud isekeriva trossi vaba otsa kinnitamiseks, kui see pole parajasti kukkumiskaitse tarvis kinnituspunktiga ühendatud. Köiepiduri kinnitusi ei tohiks kunagi kasutada rakmetel kukkumiskaitse kinnituselementidena köie või isekeriva trossi (A) ühendamiseks.

Kui kasutaja pole ühendatud ankruta kinnituspunktiga, tuleb vaba köie ots korralikult rakmetesse (B) parkida või kasutaja peab selle kätte võtma, kui on tegu 100% lahti seotud rakendusega (Tie-Off) (C). Vabalt hõljuvad köieotsad (D) võivad panna kasutaja komistama või ta võib ümbritsevate objektide taha kinni jääda ja kukkuda.

1 Kasutaja: isik, kes teeb kõrgustes töid ja on samal ajal kaitstud isikliku kukkumiskaitse süsteemiga.

2 Volitatud isik: töötaja määratud isik, kellel on õigus teha tööd kohas, kus inimene puutub kokku kukkumisohtuga.

3 Päästja: isik või isikud peale päästetava isiku, kes kasutab (kasutavad) päästesüsteemi, et päästa inimesi.

4 Ülevaatusõiguseks pädev isik: ülevaatusõigusega pädev isik on isik, kes on pädev hindama olemasolevaid ja ettenähtavaid ohte ümbritsevates töötingimustes, mis on töötaja jaoks antisanitaarsed või ohtlikud. Pädev isik on volitatud viivitamatult võtma meetmed, et sellised ohud kõrvaldada.

5 Ülevaatussagedus: töötamine rasketes oludes (karmid tingimused, pikaajaline kasutamine jne) nõuavad sagedasemat ülevaatus selleks päeva isiku poolt.

3.0 RAKMETE KASUTAMINE

3.1 **ENNE IGA KASUTUSKORDA TULEB VARUSTUST KONTROLLIDA** vastavalt *ülevaatus- ja hoolduspäevikule (tabel 1)*.

3.2 **KAVANDAGE** oma süsteem enne kasutamist. Kaaluge kõiki tegureid, mis mõjutavad teie turvalisust selle varustuse kasutamisel. Järgevalt on loetletud olulised punktid, millele peaks süsteemi kavandades mõtlema.

- **Ankurdus:** valige ankurduspunkt, mis on plaanitava kukkumiskaitserakenduse staatilise koormuse jaoks piisavalt tugev (vt lõiku 1.1). Ankurduspunkt peaks olema valitud lähtuvalt vabakukkumise, kukkumisruumi, kiikumise ja löigust 1.4 kirjeldatud keskkonnapiirangutest.
- **Teravad servad:** vältige töötamist kohtades, kus süsteemi komponendid võivad puudutada või hõõruda teravate esemete vastu.
- **Pärast kukumist:** kukumise peatamiseks rakendunud komponendid tuleb kasutuselt kõrvaldada ja hävitada.
- **Pääste:** selle varustuse kasutamisel peab tööandjal olema päästeplan. Tööandja peab olema suuteline viima päästeoperatsiooni lõpule kiirelt ja turvaliselt.
- **Päästerakmed:** päästerakmed (EN1497) on mõeldud kasutamiseks tavapäraste tööülesannete käigus. Enne päästetööde kinnituselementide esmakordset kasutamist peaks kasutaja tegema ohututes tingimustes rippumiskatse veendumaks, et rakmed on võimalikult mugavaks rippumiseks sobiva suurusega ja sobivalt reguleeritud.
- **Töösendis hoidmine:** töösendis hoidmise süsteemi kasutamisel mõelge alati, kas lisaks on vaja kasutada isiklikku kukkumiskaitse süsteemi (nt kukkumise peatamise süsteemi). Kasutage alati kinnituspunkti, mis asub vöökohta tasemel või sellest kõrgemal.

3.3 **PANDLAD:** täisrakmetel on mitmed erinevad pandlad, mis võimaldavad jala- ja rinnarihmasid fikseerida ning reguleerida. Rakmete taljevöö on keelega pannel. Rakmete pannelde tüübid on toodud joonisel 1. Joonisel 9 on näidatud järgmistele pannelide kasutamist.

1. Kiirlukustusega pandlad:

- A. Kiirlukustusega pandla kinnitamiseks sisestage pandlakeel pandlalukku, kuni kuulete klõpsu.
- B. Kinnitatud tekstiilrihmade reguleerimiseks: tõmmake tekstiilrihma läbi pandlas oleva pilu edasi või tagasi, et rihma pingutada või lõdvendada.
- C. Kiirlukustusega pandla vabastamiseks: pigistage pandlaluku kummalgi küljel olevaid lukustusnuppe. Tõmmake pandlakeel pandlalukust välja.

2. Läbitõmmatava fiksaatorplaadiga pandlad:

- A. Sisestage fiksaatorplaadiga ots läbi pandlaraami.
- B. Pingutage vaba rihma, kuni fiksaatorplaat on kindlalt pandlaraami vastas. Fikseerige vaba rihm rihmahoidikusse.

3.4 **REGULEERIMINE:** rakmetel on kaks õlarihmade reguleerimispannal, millega reguleeritakse õlarihmasid. Õlarihmade reguleerimispannalde kasutamist vt jooniselt 10:

1. Õlarihmade reguleerimispannad: õlarihmade reguleerimiseks reguleerimispannaldega:

- A. Tõmmake vaba rihma, et õlarihma pingutada. Õlarihma lõdvendamiseks tõmmake vaba rihma ja suruge see seejärel õlarihma reguleerimispannla kaudu tagasi.
- B. Reguleerige korrektselt ja seejärel fikseerige vaba rihm rihmahoidikusse.

Kui on olemas takjapaela otsjuhtimine (vt joonis 11), keerake vaba rihma rihm tagasi tihedaks (A), ühendage takjapaelad tagasi rihma kohal ja kinnitage triibud (B). Veenduge, et rull oleks tihe ja rihmahoidja nihutatud rulli lähedale (C).

3.5 **TÄISRAKMETE SELGAPANEK JA REGULEERIMINE:** joonis 13 illustreerib täisrakmete selgapanekut ja reguleerimist. Kontrollige täisrakmeid enne iga kasutuskorda, kasutades *ülevaatus- ja hoolduspäevikut (tabel 1)*. Rakmete selgapanekuks ja reguleerimiseks:

Teie rakmete pannelde kinnitamise ja rihmade reguleerimise protseduurid olenevad rakmete konkreetsest mudelist. Üksikasju vt lõikudest 3.3 kuni 3.4 ja joonistelt 9 kuni 10.

1. Tõstke rakmed üles ja hoidke neid seljaosa D-rõngast. Veenduge, et rihmad pole sõlmes.
2. Haarake õlarihmastest ja tõmmake rakmed ühele käele. Seljaosa D-rõngas jääb teie seljale. Veenduge, et rihmad pole sõlmes ja ripuvad vabalt. Libistage oma vaba käsi rakmetesse ja asetage õlarihmad oma õlgadele. Rinnarihm ja -pannal jäävad ettepoole, kui panite rakmed õigesti selga.
3. Haarake jalgade vahelt parempoolne jalarihm. Tooge rihm jalgade vahelt üles ning ühendage selle ots parema puusa juures oleva pandlalukuga ning reguleerige jalarihma, et see istuks mugavalt ja tihedalt (pandla kasutamist vt lõigust 3.3). Kui rihm on sobivaks reguleeritud, fikseerige jalarihma vaba ots rihmahoidiku alla. Korra eeltoodud toiminguid, et vasak jalarihm kinnitada ja reguleerida.
4. Kinnitage keelega pandlaga taljevöö, kui see on olemas, ja reguleerige seda vajadusel. (Keelega pandla kasutamist vt lõigust 3.3).
5. Kinnitage rinnarihm ja reguleerige seda (pandla kasutamist vt lõigust 3.3). Rinnarihm peaks olema õlgadest 15 cm (6 in.) madalamal. Kui rihm on sobivaks reguleeritud, fikseerige rinnarihma vaba ots rihmahoidiku alla.
6. Kasutage õlarihmade reguleerimispannlaid, et tõmmata õlarihmad tihedalt vastu keha (õlarihmade reguleerimispannalde kasutamist vt lõigust 3.4). Vasak ja parem õlarihm tuleks reguleerida sama pikaks ning rinnarihm peaks olema rindkere alumise osa keskel (15 cm (6 in.) õlgadest madalamal). Seljaosa D-rõngas peaks jääma abaluude keskele. Rinnaosa D-rõngas, kui on olemas, peaks asuma külgsuunaliselt 5 cm (2 in.) kaugusel rakmete vertikaalsest keskjoonest.

Kontrollige regulaarselt kinnituse ja reguleerimise elemente kasutamise ajal.

- 3.6 KUKKUMISKAITSE D-RÕNGA VÕI KINNITUSELEMENDI KASUTAMINE:** Sügise kinnipidamise kinnituspunktid on tähistatud suurtähtedega A. Ühendage kukkumiskaitsevahend seljaosa D-rõngaga või seljal oleva kinnituselemendiga, mis on abaluude vahel. Külgmised D-rõngad, kui on olemas, on mõeldud ainult tööasendisse paigutamiseks ja turvaliini kasutamiseks. Õlakinnitused on mõeldud ainult päästeoperatsioonideks. Rinnaosa D-rõngas on mõeldud redelil ronimiseks või tööasendisse paigutamiseks. Istevöö D-rõngad on mõeldud ainult riputamiseks või tööasendisse paigutamiseks. (Vt lõiku 1.1.).
- 3.7 ÜHENDUSTE TEGEMINE:** kui kasutate ankurdamiseks või süsteemi komponentide ühendamiseks haaki, veenduge et väljarullumine on võimatu. Väljarullumine juhtub, kui haagi ja vastaspinna vaheline tõke põhjustab haagi soovimatu avanemise ja eraldumise. Väljarullumise vältimiseks tuleks kasutada iselukustuvaid vedruhaake või karabiine. Ümber kinnituselemendi tervenisti mittesulguvate konksude või liitmike kasutamine ei ole lubatud. Lisateavet ühenduste tegemise kohta vt alamsüsteemi tootja juhendist.
- 3.8 SÜSTEEMI KOMPONENTIDE ÜHENDAMINE:** kui kasutaja on rakmed selga pannud ja sobivaks reguleerinud, võib kasutaja ühendada need muude süsteemi komponentidega. Järgige lõigus 2 toodud juhiseid ja komponendiga kaasnenud tootja juhendit.

4.0 ÜLEVAATUS

- 4.1 ÜLEVAATUSE INTERVALL:** täisrakmeid tuleb kontrollida intervalliga, mis on määratletud lõigus 2.2. Ülevaatus protseduuri on kirjeldatud lõigus *ülevaatus- ja hoolduspäevikus (tabel 1)*.
- 4.2 DEFECTID:** kui märkate kontrolli käigus defekti, tuleb rakmed viivitamatult kasutuselt kõrvaldada ja hävitada.
- 4.3 TOOTE KASUTUSIGA:** rakmete kasutusiga sõltub töötingimustest ja hooldusest. Maksimalne kasutusiga on alates 1 aastast pideva kasutamise korral äärmuslikes oludes kuni 10 aastani harva ja kergetes oludes kasutamise korral. Toodet võib kasutada, kuni see vastab ülevaatus kriteeriumitele kuni 10 aastat.

5.0 HOOLDAMINE, PUHASTAMINE JA HOIUNDAMINE

Ärge puhastage ega desinfitseerige toodet muul viisil, kui on kirjeldatud järgmistes puhastusjuhistes. Muud meetodid võivad toodet või kasutajat kahjustada.

- 5.1 PUHASTAMINE:** 3M täiskeharakmed tuleb puhastada vastavalt 3M-i juhistele. Traksvöö puhastamiseks peske seda õrna valgendivaba puhastusvahendiga, seejärel loputage. Traksvöö tuleb seejärel õhu kätte kuivama riputada. Puhastamiseks kasutatav vesi ja õhu käes kuivatamiseks kasutatav temperatuur ei tohi kunagi ületada 130°F (54,4°C). Lisateavet leiate tehnilistest teadetest meie veebisaidil: <http://www.3M.com/FallProtection/WebCleaning>

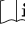
Kui teil on puhastusprotseduuride kohta küsimusi, võtke ühendust 3M-i tehnilise toega.

- 5.2 PARANDAMINE.** Täisrakmeid ei saa parandada. Kui rakmetele on avaldunud kukkumisjõud või ülevaatusel leitakse sellel ohtlikke puudusi või defekte, tuleb rakmed viivitamatult kasutuselt kõrvalda ja hävitada.
- 5.3 HOIUNDAMINE JA TRANSPORT:** hoiundage ja transportige täisrakmeid jahedas, kuivas, puhtas keskkonnas, kaitstuna otsese päikesevalguse eest. Vältige ruume, kus võib olla kemikaalide aure. Pärast pikemat hoiundamist kontrollige rakmeid põhjalikult.

6.0 MÄRGISTAMINE

Joonisel 14 on näidatud toote sildid ja nende asukohad täisrakmetel. Kõik sildid peavad olema alles ja selgelt loetavad.

Siltidel on toodud järgmine teave.

1	(A) Suletud kinnipidamise ankurpunkt, tähistatud suurtähega "A" (B) Sildi asukoht
2	(A) Ülevaatuspäevik (B) Seerianumber (C) Nimetähed (D) Kuupäev (E) Ärge eemaldage seda silti.
3	(A) Kasutajateabe silt
4	(A) Seerianumber (B) Valmistamiskuu (C) Valmistamisaasta (D) Partii number (E) Mudelinumber (F) Euroopa standard (G) Kandevõime (H) Suurus (I)  Lugege juhendit (J) CE-märgis (K) Tüübihindamist teostanud teavitatud asutuse number (L) Keha vöö suurus

Kaikki näissä ohjeissa olevat turvallisuustiedot tulee lukea sekä ymmärtää, ja niitä tulee noudattaa ennen näiden kokovartalovaljaiden käyttöä. EDELLÄ MAINITUN LAIMINLYÖNTI VOI JOHTAA VAKAAN LOUKKAANTUMISEEN TAI KUOLEMAAN.

Nämä ohjeet tulee antaa näiden varusteiden käyttäjälle. Säilytä nämä ohjeet myöhempää tarvetta varten.

Käyttötarkoitus:

Nämä kokovartalovaljaat on tarkoitettu käytettäväksi osana kokonaista henkilönsuojaimiin kuuluvaa putoamisenestojärjestelmää. Käyttö muihin tarkoituksiin, kuten materiaalien käsittelyyn, virkistys- tai urheilutoimintaan tai muuhun sellaiseen toimintaan, joita ei käyttöohjeessa kuvata, ei ole 3M:n hyväksymää ja saattaa johtaa vakavaan loukkaantumiseen tai kuolemaan. Tätä laitetta voivat käyttää ainoastaan koulutetut käyttäjät työskentelytarkoituksiin.

VAROITUS

Nämä kokovartalovaljaat ovat osa kokonaista henkilönsuojaimiin kuuluvaa putoamisenestojärjestelmää. Kaikkien käyttäjien odotetaan olevan täysin koulutettuja omien henkilökohtaisten putoamisenestojärjestelmiensä turvallisen asentamisen ja käytön suhteen. **Tämän laitteen väärinkäyttö saattaa johtaa vakavaan loukkaantumiseen tai kuolemaan.** Tietoja asianmukaisesta valinnasta, käytöstä, asennuksesta, ylläpidosta ja huollosta saat tutkimalla näitä käyttöohjeita ja kaikkia valmistajan suosituksia, kysymällä esimieheltäsi tai ottamalla yhteyttä 3M:n tekniseen palveluun.

- **Kokovartalovaljaiden kanssa työskentelyyn liittyviä, vakavan loukkaantumisen tai kuoleman mahdollisesti aiheuttavia riskejä voidaan pienentää seuraavilla toimenpiteillä:**
 - Kaikki järjestelmän komponentit tulee tarkastaa ennen jokaista käyttökertaa, vähintään kerran vuodessa, ja jokaisen putoamistapauksen jälkeen. Suorita tarkastus käyttöohjeiden mukaisesti.
 - Jos tarkastuksessa ilmenee vikoja tai laitteen kunto osoittautuu vaaralliseksi, tulee laite poistaa käytöstä välittömästi ja hävittää.
 - Kaikki laitteet, joita on käytetty putoamisen pysäyttämiseen tai joihin on kohdistunut putoamiseneston iskuvoima, tulee välittömästi poistaa käytöstä ja hävittää.
 - Valjaiden oikeanlainen käyttö, koko ja säätö on varmistettava.
 - On varmistettava, että kytketyt alajärjestelmät (esim. köydet) eivät luo vaaratekijöitä esimerkiksi takertumalla muihin työntekijöihin, käyttäjään itseensä, liikkuviin koneisiin tai muihin ympäröiviin esineisiin.
 - On varmistettava, että muiden valmistajien komponenteista kootut putoamisenestojärjestelmät/alijärjestelmät ovat yhteensopivia ja täyttävät asianomaisten standardien (mukaan lukien ANSI Z359) vaatimukset tai muut sovellettavat putoamisenestoa koskevat lait, standardit tai vaatimukset. Ennen näiden järjestelmien käyttöä tulee aina kääntyä pätevän tai päteväidyn henkilön puoleen.
- **Korkealla työskentelyyn liittyviä, vakavan loukkaantumisen tai kuoleman mahdollisesti aiheuttavia riskejä voidaan vähentää seuraavilla toimenpiteillä:**
 - Varmista, että terveydentilasi ja fyysinen kuntosi on tarpeeksi hyvä, jotta pystyt turvallisesti kestämaan kaikki korkealla työskentelyyn liittyvät voimat. Keskustele lääkärin kanssa, mikäli sinulla on kysyttävää näiden laitteiden käyttöön liittyvistä valmiuksistasi.
 - Älä koskaan ylitä putoamisenestolaitteiden sallittua kapasiteettia.
 - Älä koskaan ylitä putoamisenestolaitteiden vapaan pudotuksen enimmäisetäisyyttä.
 - Älä käytä putoamisenestolaitteita, jotka eivät läpäise ennen käyttöä tehtäviä tai muita suunniteltuja tarkastuksia tai jos olet huolissasi laitteiden käytöstä tai sopivuudesta omaan käyttötarkoitukseesi. Jos sinulla on kysyttävää, ota yhteyttä 3M:n tekniseen palveluun.
 - Jotkut alajärjestelmä- ja osayhdistelmät saattavat häiritä tämän laitteen toimintaa. Käytä vain yhteensopivia liitäntöjä. Ota yhteyttä 3M:ään ennen tämän laitteen käyttöä yhdessä sellaisten osien tai alajärjestelmien kanssa, joita ei kuvata tässä käyttöohjeessa.
 - Ylimääräisiä varotoimenpiteitä tulee ottaa käyttöön työskennellessä liikkuvien laitteiden (esim. öljynporaustornien koneistot), sähkövaarojen, korkeiden lämpötilojen, kemiallisten vaarojen, räjähtävien tai myrkyllisten kaasujen tai terävien reunojen läheisyydessä tai mikäli käyttäjän yläpuolella on mahdollisesti hänen päälleen tai putoamisenestolaitteen päälle putoavia materiaaleja.
 - Erittäin kuumissa ympäristöissä työskennellessä tulee käyttää valokaari- tai kuumatyölaitteita.
 - Vältä mahdollisesti käyttäjää tai laitteita vahingoittavia pintoja ja esineitä.
 - Varmista, että korkealla työskennellessä käytössä on riittävä putoamiskorkeus.
 - Älä koskaan muokkaa tai muuta putoamisenestolaitetta. Vain 3M tai sen kirjallisesti valtuuttamat tahot saavat tehdä korjauksia tähän laitteeseen.
 - Ennen putoamisenestolaitteiden käyttöä tulee varmistaa, että käytössä on nopean pelastuksen mahdollistava pelastussuunnitelma putoamistapaturman sattuessa.
 - Putoamistapaturman sattuessa tulee pudonneelle työntekijälle hakea välittömästi lääkinnällistä apua.
 - Älä käytä vartalo vyötä putoamisenestokäytössä. Käytä ainoastaan kokovartalovaljaita.
 - Minimoi heilahtavan putoamisen mahdollisuus työskentelemällä niin suoraan ankkurointipisteen alla kuin mahdollista.
 - Mikäli tällä laitteella suoritetaan koulutusta, on käytettävä toissijaista putoamisenestojärjestelmää sellaisella tavalla, joka ei altista koulutettavaa henkilöä tahattomalle putoamiselle.
 - Käytä aina asianmukaisia henkilönsuojaimia asentaessasi, käyttäessäsi tai tarkastaessasi tätä laitetta/järjestelmää.

Merkitse ennen tämän tuotteen käyttöä tuotteen tunnistustiedot sen tunnistetietokilvestä tämän käyttöoppaan loppuosassa olevaan "tarkastus- ja huoltolokiin".

Varmista aina, että käyttämäsi opas on 3M-käyttöoppaan viimeisin versio. Päivitetyn käyttöoppaan saa 3M-verkkosivustosta tai ottamalla yhteyden 3M:n teknisiin palveluihin.

KUVAUS

Kuvassa 1 näkyvät saatavilla olevat 3M™ Protecta® -kokovartalovaljaiden mallit. Valjasmalleja on saatavilla seuraavien ominaisuuksien eri yhdistelmillä:

	Kuva 1, viitteet:	Kuvaus:
Koot	S, M/L, XL	Pieni, keskikoko, suuri, erittäin suuri
	Ⓑ	Vartalovyön koko cm
Kiinnitysosat	①	Selkäpuolen D-rengas
	②	Rintalastan puoleinen D-rengas
	③	Lantion D-renkaat
	④	Olkapääkiinnike
Soljet	⑤	Pikakiinnityssoljet
	⑥	Läpipujotussoljet
Säätimet	⑦	Laskuvarjovaljaiden tyyppiset ylävartalon säätimet
Pehmusteet	⑧	Vyö ja lantiopehmusteet
	⑨	Sääripehmuste
Lisäominaisuudet	⑩	Murrettava itsepalautuvan taljaköyden pidike
	⑪	Punosten päiden käsittely - Katso kuva 11
	⑫	Pelastusvyö
	⑬	Instrumenttisilmukka

TEKNISET TIEDOT

Suorituskyky:	
Suurin sallittu pysäytysvoima:	6 kN (1 349 lbf)
Kantavuus:	140 kg (310 lb.)
Käyttölämpötila:	Vähintään: -35 °C (-31 °F) Enintään: +57 °C (135 °F)

Materiaalit:	
Vyöhihnat	Polyesteri - vetolujuus 22 kN (4 946 lbf)
Pehmeiden kappaleiden päälliosat	Nailonin ja polyesterin sekoitus
Merkintöjen päälliosa	Nailonin ja polyesterin sekoitus
Lanka	Polyesterilanka polyesteripunoksessa
D-renkaat	Terässeos - vetolujuus 22 kN (4 946 lbf)
Pikakiinnityssoljet	Teräs, ruostumaton teräs ja terässeos - vetolujuus 18 kN (4 047 lbf)
Läpipujotussoljet	Terässeos - vetolujuus 18 kN (4 047 lbf)
Laskuvarjotyyppiset ylävartalon säätimet	Terässeos - vetolujuus 18 kN (4 047 lbf)

1.0 KÄYTTÖTARKOITUKSET

1.1 TARKOITUS: Kokovartalovaljaita tulee käyttää osana henkilökohtaista putoamisenestojärjestelmää, jonka tarkoituksena on estää putoaminen tai pysäyttää putoaminen turvallisesti (katso kuva 2). Kokovartalovaljaita käytetään seuraaviin käyttötarkoituksiin:

A	Putoamisen pysäyttäminen (EN360, EN361, EN355): Henkilökohtaisiin putoamisenestojärjestelmiin sisältyvät tavallisesti kokovartalovaljaat ja siihen liitetty lisäjärjestelmä (nykkyksenvaimennin, itsestään kelautuva laite jne.). Maksimaalinen pysäytysvoima ei saa ylittää arvoa 6 kN (1 349 lbf). <i>Ankkuroinnin lujuus:</i> Valitun ankkurointitavan on kestävä vähintään 12 kN (2 698 lbf):n kuormitus.
B	Työasemointi (EN358, EN813): Työasemointijärjestelmät sisältävät tavallisesti kokovartalovaljaat, asemointiköyden ja henkilökohtaisen putoamisen estävän varajärjestelmän. Kun järjestelmää käytetään työasemointiin, tulee työasemoinnin lisäjärjestelmä (esim. turvahihna, Y-turvahihna jne.) kytkeä alempiin (lantion korkeudella oleviin), sivulle tai vyöhön liitettyihin työasemoinnin kiinnityselementteihin (D-renkaat). Näitä kiinnityskohtia ei pidä koskaan käyttää putoamisen pysäyttämiseen. <i>Kiinnitysosat:</i> Etupuoli, lantio. <i>Ankkuroinnin lujuus:</i> Valitun ankkurointitavan on kestävä vähintään 12 kN (2 698 lbf):n kuormitus.
C	Kiipeäminen (EN353-1): Kokovartalovaljaita käytetään osana kiipeämissojajärjestelmää, jolla estetään käyttäjää putoamasta hänen kiivetessään tikkaita tai muuta kiivettävää rakennelmaa pitkin. Kiipeämissojajärjestelmiin sisältyvät tavallisesti kokovartalovaljaat, pystysuuntainen vaijeri tai kisko, joka on kiinnitetty rakenteeseen, ja vaijerin turvasuojus. Tikkaiden kiipeämiseen voidaan käyttää valjaita, jotka on varustettu etupuolella rintalastan alueella olevalla D-renkaalla, putoamisen pysäyttämiseen tarkoitetuissa kiinteiden tikkaiden kiipeämissojajärjestelmissä. <i>Kiinnitysosat:</i> Rintalastan alueella. <i>Ankkuroinnin lujuus:</i> Rakenteen, johon kiipeämissojajärjestelmä kiinnitetään, on pystyttävä kannattelemaan kuormia kiipeämissojajärjestelmän valmistajan dokumentaatioissa esitettyjen määritysten mukaisesti.
D	Pelastaminen (EN1496, EN1497, EN1498): Kokovartalovaljaita käytetään osana pelastusjärjestelmää. Pelastusjärjestelmien kokoonpano riippuu pelastustoimenpiteen tyypistä. Ahtaiden tilojen (tilaltaan rajoitettujen paikkojen) käyttökohteissa voidaan käyttää olkapäiden kohtiin kiinnitetyillä D-renkailla varustettuja valjaita ahtaaseen paikkaan sisään menemistä ja sieltä poistumista varten, kun työntekijän suuri koko on ongelma. <i>Kiinnitysosat:</i> Selkäpuoli, rintalastan alue, etupuoli, olkapäiden kohdat. <i>Ankkuroinnin lujuus:</i> Valitun ankkurointitavan on kestävä vähintään 12 kN (2 698 lbf):n kuormitus.
E	Hallittu laskeutuminen (EN341): Hallittua laskeutumista varten voidaan käyttää valjaita, joissa on yksittäinen rintalastan korkeudella oleva D-rengas, yksi tai kaksi etupuolelle kiinnitettyä D-rengasta tai vyötärön alapuolelle kiinnitetty liitinpari (esim. istuinlenkkiä varten) valjaiden kiinnittämiseksi laskeutumis- tai evakuointijärjestelmään. <i>Kiinnitysosat:</i> Selkäpuoli, rintalastan alue, etupuoli. <i>Ankkuroinnin lujuus:</i> Valitun ankkurointitavan on kestävä vähintään 12 kN (2 698 lbf):n kuormitus.
F	Liikkumisalueen rajoittaminen (EN354): Kokovartalovaljaita käytetään osana rajoittamisjärjestelmää, jonka tarkoituksena on suojella käyttäjää putoamisvaaralta. Rajoitusjärjestelmissä on yleensä kokovartalovaljaat ja joustava taljaköysi tai rajoitusköysi. <i>Kiinnitysosat:</i> Selkäpuoli, rintalastan alue, etupuoli, lantion alue. <i>Ankkuroinnin lujuus:</i> Valitun ankkurointitavan on kestävä vähintään 18 kN (4 047 lbf), kun kaulanauhat, mukaan luettuina tekstiilimateriaalit tai tekstiilikannatelinelementit, esim. käytetään synteettikuituköyksiä tai -nauhoja. Kun käytetään kokonaan metallisia elementtejä, kiinnityspisteiden on oltava vähintään 12 kN (2 698 lbf):n kuormitus.

1.2 STANDARDIT: Tässä käyttöoppaassa esitellyt valjaat täyttävät etusivulla mainittujen normien vaatimukset. Jos tätä tuotetta jälleenmyydään alkuperäisen kohdemaan ulkopuolella, jälleenmyyjän on toimitettava nämä ohjeet tuotetta käyttävän maan omalla kielellä.

1.3 KOULUTUS: Varusteen käyttäjän ja hankkijan vastuulla on varmistaa, että he tutustuvat näihin ohjeisiin, saavat koulutusta varusteen asianmukaisissa käyttö- ja huoltotavoissa ja tuntevat varusteen käyttöominaisuudet, käytön rajoitukset ja väärän käyttötavan aiheuttamat seuraukset.

1.4 RAJOITUKSET: Seuraavat käyttörajoitukset tulee ottaa huomioon ennen tämän varusteen käyttöä:

- **KAPASITEETTI:** Kokovartalovaljaat on tarkoitettu henkilöille, joiden kokonaispaino (vaatteet, työkalut jne.) on korkeintaan 140 kg (309 lb). Varmista, että järjestelmän kaikki komponentit on luokiteltu käyttökohteeseen sopivan kapasiteetin mukaisesti.
- **VAPAA PUDOTUS:** Laskeutumisen estojärjestelmän on sisällettävä energiaa absorboivia elementtejä tai toimintoja, joilla varmistetaan, että käyttäjän runkon kohdistuvat iskuvoimat vapaan pudotuksen pysäyttämisen aikana rajoittuvat enintään 6 kN (1 349 lbf): iin. Rajoitusjärjestelmä tulee kytkeä siten, että pystysuora vapaa pudotus ei ole mahdollinen. Työasemointijärjestelmät tulee kiinnittää siten, että vapaa pudotus on korkeintaan 60 cm (24 in). Henkilöstön liikkumisjärjestelmät tulee kiinnittää siten, että pystysuora vapaa putoaminen ei ole mahdollista. Pelastusjärjestelmät tulee kiinnittää siten, että pystysuora vapaa putoaminen ei ole mahdollista. Katso lisätietoja valmistajan lisäjärjestelmän ohjekirjasta.
- **PUTOAMISETÄISYYS:** Kuvassa 3 on esitetty putoamisenestojärjestelmän osat. Käyttäjän alapuolella tulee olla riittävästi tyhjää tilaa, jotta putoaminen pysähtyisi, ennen kuin käyttäjä osuu maahan tai muuhun esteeseen. Tyhjän tilan kokoon vaikuttavat monet tekijät, kuten (A) turvahihnan pituus, (B) turvahihnan vauhdin hidastumismatka tai itsekelaavan turvaköyden suurin pysähtymismatka, (C) valjaiden venyminen ja D-renkaan tai liittimen pituus ja liikkeen pysähtymismatka (tavallisesti turvallisesti arvoksi katsotaan 0,5 m (1,6 ft)). Katso esteettömän putoamiskorkeuden laskentaa koskevat tiedot turvahihnan tai itsekelaavan laitteen ohjeista.
- **HEILUMISEN AIHEUTTAMA PUTOAMINEN:** Putoaminen tapahtuu heilahtamalla, jos ankkurointipiste ei ole suoraan putoamiskohdan yläpuolella (katso kuva 4). Iskeytyminen esteeseen heilahtavassa putoamisessa voi aiheuttaa vakavan vamman tai kuoleman. Minimoi heilahtavan putoamisen mahdollisuus työskentelemällä niin suoraan ankkurointipisteen alla kuin mahdollista. Älä salli heilahtavaa putoamista, jos se voi aiheuttaa vamman. Heilahtavat putoamiset lisäävät huomattavasti tarvittavaa liikkumavaraa, kun käytetään itsestään kelautuvaa laitetta tai muuta vaihtelevan mittaista kiinnitysjärjestelmää.
- **PITKÄAIKAINEN VALJAIDEN VARASSA OLEMINEN JA RIIPPUMISVAMMA (SUSPENSION TRAUMA):** Kokovartalovaljaat eivät sovellu pitkäaikaiseen ilmassa riippumiseen. Pitkäaikainen valjaiden varassa oleminen saattaa aiheuttaa kannatteluvamman (suspension trauma). Jos käyttäjän tulee olla kauan aikaa riippumassa, on suositeltavaa käyttää jonkinlaista istuintukea. 3M suosittelee istuinlautaa, riippuvaa työistuinta, istuinlenkkiä tai riipputuolia. Lisätietoja saat ottamalla yhteyttä 3M-yhtiöön.
- **YMPÄRISTÖVAARAT:** Näiden varusteiden käyttö vaarallisissa ympäristöissä voi vaatia ylimääräisiä turvajärjestelyjä, jotta estetään käyttäjän vammautuminen ja varusteiden vahingoittuminen. Tällaisia vaaroja voivat olla lämpö, kemikaalit, korroosiota aiheuttavat ympäristöt, korkeajännitejohdot, kaasut, liikkuvat koneet, terävät reunat ja muut, joita ei ole tässä luettelua.

- **KUUMISSA OLOSUhteissa KÄYTETTÄVÄT VALJAAT:** Kevlar-punoksesta tehdyt valjaat on tarkoitettu käytettäväksi kuumissa olosuhteissa, ja niitä koskevat seuraavat rajoitukset: Kevlar-punos alkaa hiiltä n. 425 - 480 °C (800 - 900 °F). Kevlar-punos kestää rajallista altistumista n. 535 °C (1 000 °F) pinnan kanssa. Polyesteripunos menettää kestäväyytensä n. 145 - 200 °C (300 - 400 °F). Kovien osien PVC-pinnoituksen sulamispiste on n. 175 °C (350 °F).

Vaikka PVC-päälylystetyt ja sinkitettyt osat kestävätkin erinomaisesti kemikaaleja, happoja, emäksisiä aineita ja erilaisia ilmastollisia olosuhteita, saattaa olla välttämätöntä suorittaa usein tarkastuksia. Ota yhteyttä 3M-yhtiöön, jos tarvitset neuvoja varusteen käytöstä vaarallisissa ympäristöissä.

2.0 JÄRJESTELMÄN KÄYTTÖ

- 2.1 PELASTUSSUUNNITELMA:** Työnantajalla on oltava laitetta ja siihen liitettyjä lisäjärjestelmiä käytettäessä pelastussuunnitelma ja valmiudet sekä suunnitelman toteuttamiseksi että siitä tiedottamiseksi laitteen käyttäjille¹, valtuutetuille henkilöille² ja pelastushenkilöstölle³.
- 2.2 TARKASTUSVÄLIT:** Käyttäjän tulee tarkastaa kokovartalovaljaat ennen jokaista käyttökertaa, ja tämän lisäksi jonkun toisen pätevän henkilön⁴ (joku muu kuin käyttäjä itse) tulee tarkastaa ne vähintään vuoden välein⁵. Tarkastusmenettely on kuvattu käyttöoppaan luvussa "Tarkastus- ja kunnossapitoloki". Kukin pätevän henkilön suorittama tarkastus tulee kirjata "tarkastus- ja kunnossapitolokin" kopioon tai käyttäen radiotaajuustunnistusjärjestelmää (katso luku "Tarkastus").

Mikäli johtuen varusteen monimutkaisesta tai innovatiivisesta rakenteesta 3M sellaista edellyttää tai jos osiin purkamisessa, uudelleen kokoamisessa tai arvioinnissa tarvitaan erityistä asiantuntemusta, säännöllisiä tarkastuksia saavat suorittaa ainoastaan 3M tai 3M:n valtuuttamat henkilöt tai organisaatiot.

- 2.3 OSIEN YHTEENSOPIVUUS:** 3M-laitteet on tarkoitettu käytettäväksi 3M:n hyväksymien osien ja alajärjestelmien kanssa. Osien vaihtaminen ja korvaaminen muihin kuin hyväksytyihin osiin ja alajärjestelmiin voi vaarantaa laitteiston yhteensopivuuden sekä vaikuttaa koko järjestelmän turvallisuuteen ja luotettavuuteen.
- 2.4 LIITTIMIEN YHTEENSOPIVUUS:** Liittimet ovat yhteensopivia liitettävien osien kanssa silloin, kun ne on suunniteltu toimimaan yhdessä siten, että niiden koko ja muoto eivät aiheuta lukkomekanismien tahatonta aukeamista niiden asennosta riippumatta. Ota yhteyttä 3M:ään, jos sinulla on kysyttävää yhteensopivuudesta. Liittimien (haat, karbiinit, D-renkaat) tulee kestää ainakin 22 kN (4 946 lbf):n kuorma. Liittimien tulee olla yhteensopivia ankkuroinnin ja muiden järjestelmän osien kanssa. Älä käytä yhteensopimattomia varusteita. Yhteensopimattomat liittimet saattavat irrota vahingossa (katso kuva 5). Liittimien on oltava kooltaan, muodoltaan ja vahvuudeltaan yhteensopivia. Jos osa, johon jousihaka (kuvassa) tai karbiinihaka kiinnitetään, on liian pieni tai epäsäännöllisen muotoinen, on mahdollista, että kiinnitetty osa kohdistaa voimaa jousihaan tai karbiinihaan lukitusosaan. Tämä voima saattaa aiheuttaa lukon avautumisen ja päästä jousihaan tai karbiinihaan irtoamaan kiinnityspisteestä. Itselukittuvat jousihaat ja karbiinit ovat pakollisia.
- 2.5 KYTKENNÄT JA LIITÄNNÄT:** Käytä vain itselukittuvia säppihakoja ja karbiineja näitten varusteiden kanssa. Käytä vain kuhunkin käyttötarkoitukseen sopivia liittimiä. Varmista, että kaikki liittimet ovat yhteensopivia kooltaan, muodoltaan ja lujuudeltaan. Älä käytä yhteensopimattomia varusteita. Varmista, että kaikki liittimet ovat täysin suljettuja ja lukittuja. 3M:n liittimet (jousihaat ja karbiinit) on suunniteltu käytettäväksi vain kyseisten tuotteiden käyttöohjeissa kuvatulla tavalla. Kuvassa 6 näet esimerkkejä vääristä liitännöistä. 3M:n jousihakoja ja karbiinihakoja ei saa kytkeä:
- A. D-renkaaseen, johon on kiinnitetty toinen liitin
 - B. siten, että haan kita tai lukitusosa kuormittuu
 - C. virheelliseen liitokseen, jossa jousihaan tai karbiinihaan ulospäin työntyvät osat tarttuvat ankkuriin ja joka ilman silmämääräistä tarkastusta näyttää täysin kiinnitetyltä ankkuripisteeseen
 - D. toisiinsa
 - E. suoraan punokseen tai köyteen tai ympärisköyteen (ellei sekä köyden että liittimen valmistajan ohjeissa nimenomaisesti sallita tällaista liitosta)
 - F. mihinkään esineeseen, joka on muodoltaan tai kooltaan sellainen, että jousihaka tai karbiinihaka ei sulkeudu ja lukitu tai että se saattaisi irrota
 - G. siten, että liitin ei kuormitettuna pysty kohdistumaan oikein.

- 2.6 LIITETTÄVÄT LISÄJÄRJESTELMÄT:** Liitettävien lisäjärjestelmien (itsekelautuva turvaköysi, turvahihna, köysitarra ja turvaköysi, vaijerisuojaus jne.) tulee soveltua käyttäjän omaan käyttökohteeseen (ks. osio 1.1). Katso lisätietoja lisäjärjestelmän valmistajan ohjekirjasta. Joissain valjasmalleissa on punoslenkeille tarkoitettuja kiinnityskohtia. Jousihakoja ei saa liittää punoslenkeihin. Punoslenkkiin liittämiseen on käytettävä itselukittuvaa karbiinihakaa. Varmista, ettei kuormitus voi kohdistua karbiinihaan väärään kohtaan (kuorma kitaa vasten eikä karbiinihaan pääakselia pitkin). Jotkin taljaköydet on suunniteltu puristamaan punoslenkkiin liitoksen toteuttamiseksi. Taljaköydet on saatettu omella suoraan punoslenkkiin pysyvän liitoksen aikaansaamiseksi. Yhteen punoslenkkiin ei saa tehdä useita liitoksia, ellei kyseessä ole kahden taljaköyden puristaminen oikeankokoiseen punoslenkkiin. Taljaköyden puristaminen punoslenkkiin (kuva 7): A) Pujota taljaköyden punoslenkki valjaiden punoslenkin tai D-renkaan läpi. B) Työnnä taljaköyden oikea pää taljaköyden punoslenkin läpi. C) Kiristä taljaköysi vetämällä sitä punoslenkilliitoksen kautta.

- 2.7 TURVAHIHMAN PAIKALLAAN PITÄMINEN:** Kuvassa 8 näytetään turvahihnan paikallaan pitäminen. Taljaköyden säilytyskoukku on tarkoitettu itsekelautuvan laitteen taljaköyden vapaan kiinnittämiseen, kun se ei ole kytkettynä ankkurointipisteeseen putoamisen estämiseksi. Turvahihnanpitimiä ei tule koskaan käyttää putoamissuojainten valjaiden kiinnike-elementtinä turvahihnan tai itsekelautuvan laitteen (A) kiinnittämiseen.

Kun kiinnittämätön turvahihnan osuus ei ole kytkettynä johonkin kiinnityspisteeseen, se tulee asettaa huolellisesti kiinni valjaisiin (B) tai kiinnittää käyttäjän käteen 100-prosenttista kiinnitystä hyödyntävissä käyttökohteissa (Tie-Off) (C). Vapaana riippuvat turvahihnan osat (D) saattavat saada käyttäjän kompastumaan tai ne voivat tarttua ympärillä oleviin esineisiin putoamisen aikana.

1 Käyttäjä: Henkilö, joka suorittaa työtehtäviä korkealla tasolla henkilökohtaisen putoamisenestojärjestelmän suojaamana.

2 Valtuutettu henkilö: Työnantajan määräämä henkilö, joka suorittaa tehtäviä sellaisessa paikassa, jossa henkilöt altistuvat putoamisvaaralle.

3 Pelastaja: Muu kuin pelastettava henkilö tai pelastettavat henkilöt, jotka avustavat pelastustyössä käyttäen pelastusjärjestelmää.

4 Pätevä henkilö: Henkilö, joka pystyy tunnistamaan olemassa olevat ja ennustettavat vaaratekijät ympäristössä tai työolosuhteissa, jotka ovat vaarallisia, epähygieenisia tai vaarallisia työntekijöille, ja jolla on valtuudet ryhtyä toimiin niiden poistamiseksi.

5 Tarkastusväli: Äärimmäiset työolosuhteet (vaativat ympäristöt, pitkäaikainen käyttö jne.) voivat vaatia tarkastusten suorittamista pätevän henkilön toimesta useammin.

3.0 VALJAIDEN KÄYTTÖ

3.1 ENNEN JOKAISTA KÄYTTÖKERTAA tulee varuste tarkastaa "tarkastus- ja kunnossapitolokin" (taulukko 1) mukaisesti.

3.2 SUUNNITTELE järjestelmän kokoonpano ennen käyttöä. Ota huomioon kaikki varusteiden käyttöön vaikuttavat turvallisuustekijät. Seuraavassa on tärkeitä seikkoja, jotka tulee ottaa huomioon järjestelmää suunniteltaessa:

- **Tuki:** Valitse ankkurointipiste, joka vastaa käytettävälle putoamisenestojärjestelmälle määritetyt staattisen kuorman kantavuusvaatimukset (katso kappale 1.1). Ankkurointipisteessä on huomioitava vapaa pudotus, putoamisen liikkumavara, heilahtava putoaminen ja ympäristöä koskevat rajoitukset, jotka on kuvattu kappaleessa 1.4.
- **Terävät reunat:** Vältä työskentelyä paikassa, jossa järjestelmän osat joutuvat kosketuksiin suojaamattomien terävien reunojen kanssa tai hankautuvat niitä vasten.
- **Putoamisen jälkeen:** Putoamisen pysäyttämisen kohteeksi joutuneet osat tulee poistaa käytöstä ja hävittää.
- **Pelastustoimet:** Työnantajalla tulee olla pelastussuunnitelma, kun näitä varusteita käytetään. Työnantajan tulee pystyä suorittamaan pelastustoimet nopeasti ja turvallisesti.
- **Turvavaljaat:** Turvavaljaat (EN1497) on tarkoitettu käytettäväksi normaalien työtehtävien aikana. Käyttäjän tulee suorittaa riippumattomasti turvallisissa olosuhteissa ennen turvavaljaiden kiinnitysosien käyttämistä ensimmäistä kertaa, jotta voitaisiin olla varmoja siitä, että valjaat ovat oikeankokoiset ja istuvat mahdollisimman mukavasti käyttäjälleen riippumisen aikana.
- **Työasemointi:** Arvioi henkilökohtaisen putoamissuojajärjestelmän (kuten putoamisen pysäyttävän järjestelmän) tarve aina, kun käytät työasemointijärjestelmää. Käytä aina kiinnityspistettä, joka on sijoitettu vyötärön tasolle tai sen yläpuolelle.

3.3 SOLJET: Kokovartalovaljaissa on erilaisia solkia jalkahihnojen ja rintahihnojen kiinnittämistä ja säätämistä varten. Valjaiden vartalovyöissä on kielellinen solki. Omien valjaidesi solkityypit ovat nähtävissä kuvassa 1. Kuvassa 9 on esitetty seuraavien solkityyppien toiminta:

1. Pikakiinnityssoljet:

- A. Pikakiinnityssolki kiinnitetään syöttämällä kieleke naarasliittimeen niin, että liitin naksahtaa.
- B. Kiinnitetyn punoshihnan säätö: Solkea kiristetään tai löysätään vetämällä punoshihnaa eteen- tai taaksepäin soljen läpi.
- C. Pikakiinnityssoljen irrotus: Purista naarasliittimen kummallakin puolella olevaa lukitusvipua. Vedä kieleke ulos liittimestä.

2. Läpipujotussoljet:

- A. Syötä urossolki naarassoljessa olevan aukon läpi.
- B. Kiristä irrallaan oleva hihna siten, että urossolki on samassa tasossa naarassoljen kanssa. Kiinnitä irtohihna hihnanpitimeen.

3.4 SÄÄTÄMINEN: Valjaissa on pari ylävartalon säätimiä olkahihnojen säätämistä varten. Kuvassa 10 näytetään ylävartalon säätimien käyttö:

1. Laskuvarjovaljaiden tyypiset ylävartalon säätimet: Olkahihnojen säätäminen laskuvarjovaljaiden tyypisillä ylävartalon säätimillä:

- A. Olkahihna kiristetään vetämällä irrallaan olevaa hihnaa. Olkahihna löysätään vetämällä irrallaan olevaa hihnaa ja työntämällä sitten hihna takaisin laskuvarjovaljaiden tyypisen säätimen läpi.
- B. Kun säätö on sopiva, tulee irrallaan oleva hihna kiinnittää hihnanpitimeen.

Jos tarranauhapäähän hallinta (katso kuva 11) on olemassa, kierrä vapaa rainahihna takaisin tiukka (A), liitä tarranauhat takaisin hihnan yli ja kiinnitä raidat (B).
Varmista, että tela on tiukalla ja hihnanpidin siirtyy lähellä telaa (C).

3.5 KOKOVARTALOVALJAIDEN PUKEMINEN JA SÄÄTÄMINEN OIKEAAN KOKOISIKSI: Kuvassa 13 on esitetty kokovartalovaljaiden pukeminen ja säätäminen sopiviksi. Valjaat tulee aina tarkastaa ennen niiden käyttöä "tarkastus- ja kunnossapitolokin" (taulukko 1) sisältämän tarkistuslistan mukaan. Valjaiden pukeminen ja asettaminen:

Valjaiden solkien kiinnittämistapa ja hihnojen säätämistapa vaihtelevat valjasmallista riippuen. Katso tarkat tiedot kappaleista 3.3 ja 3.4 sekä kuvista 9 ja 10.

1. Nosta ja pidä ylhäällä valjaita selkäpuolella olevasta D-renkaasta. Varmista, että hihnat eivät ole kiertyneet.
2. Ota kiinni olkahihnoista ja vie valjaat toisen käsivarren yli. Selkäpuolen D-rengas sijoittuu nyt selkäpuolellesi. Varmista, etteivät hihnat mene sekaisin ja että ne riippuvat vapaasti. Vie vapaa käsivartesi valjaiden läpi ja asettele olkahihnat hartioillesi. Kun valjaat on puettu oikein, rintahihna ja rintasolki asettuvat etupuolelle.
3. Kurota jalkojen välistä ja ota kiinni oikealla puolellasi olevasta jalkahihnasta. Vie hihna jalkojesi välistä. Kiinnitä solki lantiosi oikealla puolella olevaan soljen vastakappaleeseen ja säädä jalkahihna sopivan kireälle (ks. soljen käyttö kappaleesta 3.3). Kun olet suorittanut säädön, työnnä jalkahihnan irtomainen pää hihnanpidikkeen alle. Toista tämä kiinnitys- ja säätötoimi vasemmanpuoleiselle jalkahihnalle.
4. Säädä ja kiinnitä kielellisellä soljella varustetun vyötärövyön solki, mikäli sellainen on. (ks. kielellisen soljen käyttö osiosta 3.3).
5. Kiinnitä ja säädä rintahihna (katso soljen käyttö kappaleesta 3.3). Rintahihnan tulisi laskeutua 15 cm (6 in.):n päähän olkapäiden korkeimmasta kohdasta. Kun olet suorittanut säädön, työnnä rintahihnan irtomainen pää hihnanpidikkeen alle.
6. Säädä olkahihnat sopivan tiukoiksi ylävartalon säätimillä (katso ylävartalon säätimien käyttö kappaleesta 3.4). Olkahihnojen oikean ja vasemman puolen tulee olla säädettynä samaan pituuteen, ja rintahihnan tulee olla rinnan alaosan keskellä, 15 cm (6 in.) olkapäistä. Selkäpuolen D-renkaan tulee olla keskitettynä lapaluiden väliin. Etupuolen rintalastan korkeudella olevan D-renkaan (jos kuuluu varustukseen) tulee sijaita sivusuunnassa 5 cm (2 in.):n sisällä valjaiden pystysuorasta keskilinjasta.

Tarkista säännöllisesti kiinnitys- ja säätöelementit käytön aikana.

- 3.6 PUTOAMISEN PYSÄYTYKSEN D-RENKAAN TAI KIINNITYSOSAN KÄYTTÖ:** Syksyn pidätyksen kiinnityspisteet on merkitty suurella kirjaimella A. Kiinnitä selkäpuolen D-rengas tai kiinnitysosa putoamisen pysäyttämistä varten selkäpuolellesi lapaluittesi väliin, tai Etupuolen D-rengas kiinnityselementti rinnassa. Mikäli valjaisa on sivuosan D-renkaat, ne on tarkoitettu vain työasentoon nostamiseen tai varmistuskäyttöön. Olkapäiden kiinnikkeet on tarkoitettu vain pelastus- ja noutotoimenpiteisiin. Etupuolen D-rengas on tarkoitettu tikkailla kiipeämisen turvaamiseen tai työasemointiin. Ilmassa riippuvan istuimen D-renkaat on tarkoitettu vain ilmassa riippumista tai työasemointia varten. (Katso kappale 1.1.)
- 3.7 KYTKENNÄT JA LIITÄNNÄT:** Kun ankkurointiin liittämässä käytetään koukkuja tai kun järjestelmän osia liitetään toisiinsa, on varmistettava, ettei koukku tai osa pääse liukumaan vahingossa ulos. Ulosliukuminen voi tapahtua, jos koukun ja kiinnikkeen välissä oleva este aiheuttaa koukun portin avautumisen. Itselukittuvien koukkujen ja sulkurenkaiden käyttöä suositellaan ulosliukumismahdollisuuden pienentämiseksi. Älä käytä sellaisia koukkuja tai liittimiä, jotka eivät sulkeudu kunnolla kiinnityskohteen päälle. Katso lisäjärjestelmän valmistajan käyttöohjeista kiinnittämistä koskevat ohjeet.
- 3.8 JÄRJESTELMÄN KOMPONENTTIEN LIITTÄMINEN:** Kun valjaat säädetty oikean kokoisiksi, käyttäjä voi kytkeä järjestelmään muita osia. Tällöin on noudatettava luvussa 2 esitettyjä ohjeita sekä kyseisen komponentin mukana toimitettuja valmistajan antamia ohjeita.

4.0 TARKASTUS

- 4.1 TARKASTUSTEN TIHEYS:** Kokovartaloaljaat on tarkastettava kappaleessa 2.2 määritetyin aikavälein. Tarkastustoimet on kuvattu kohdassa "Tarkastus- ja kunnossapitoloki" (taulukko 1).
- 4.2 VIAT:** Jos tarkastuksessa ilmenee vauriota, tulee kyseinen tuote poistaa käytöstä välittömästi ja hävittää.
- 4.3 TUOTTEEN KÄYTTÖIKÄ:** Valjaiden käyttöikä riippuu käyttöolosuhteista ja huollosta. Enimmäiskäyttöikä vaihtelee; käyttöikä saattaa olla vuosi, mikäli käyttö on kuluttavaa ja tapahtuu ääriolosuhteissa tai jopa kymmenen vuotta, mikäli käyttö on vähäistä ja tapahtuu olosuhteissa, jotka eivät ole vaativia. Tuotetta voidaan käyttää niin kauan kuin se läpäisee tarkastuskriteerit enintään 10 vuotta.

5.0 HUOLTO, KUNNOSSAPITO JA SÄILYTYS

Älä puhdista tai desinfioi tuotetta muulla kuin seuraavissa puhdistusohjeissa kuvatulla menetelmällä. Muilla menetelmillä saattaa olla haitallisia vaikutuksia tuotteeseen tai käyttäjään.

- 5.1 PUHDISTUS:** 3M-kokovartaloaljaat on puhdistettava 3M:n ohjeiden mukaisesti. Puhdista valjaat pesemällä ne miedolla, valkaisuaineettomalla pesuaineella ja huuhtelemalla. Ripusta valjaat tämän jälkeen ja anna kuivua. Puhdistusveden ja kuivauksen lämpötilat eivät saa koskaan olla yli 54,4 °C (130 °F). Lisätietoja on verkkosivustomme teknisessä tiedotteessa: <http://www.3M.com/FallProtection/WebCleaning>

Lisätietoja puhdistuksesta saa ottamalla yhteyden 3M:n teknisiin palveluihin.

- 5.2 HUOLTO:** Kokovartaloaljaita ei voi korjata. Mikäli valjaisiin on kohdistunut putoamisvoimaa tai mikäli tarkastuksessa ilmenee jokin vaaratekijä tai vika, tulee valjaat poistaa käytöstä välittömästi ja hävittää.
- 5.3 SÄILYTYS JA KULJETUS:** Säilytä kokovartaloaljaita viileässä, kuivassa ja puhtaassa paikassa suoralta auringonvalolta suojattuna, ja kuljeta niitä samanlaisissa olosuhteissa. Vältä alueita, joilla saattaa esiintyä kemiallisia höyryjä. Tarkasta valjaat pitkän säilytysajan jälkeen huolellisesti.

6.0 MERKINNÄT

Kuvassa 14 on esitetty kokovartaloaljaiden merkinnät ja merkintöjen sijaintikohdat. Kaikkien merkintöjen tulee olla hyvin kiinnitettyinä ja täysin luettavissa.

Kaikissa merkinnöissä on seuraavat tiedot:

1	(A) Ankkurointipiste syksyllä pidätykseen, merkitty pääkirjeellä "A" (B) Tarran sijainti
2	(A) Tarkastusloki (B) Sarjanumero (C) Ensimmäinen (D) Päivämäärä (E) Tätä merkintää ei saa irrottaa.
3	(A) Käyttäjän tietojen merkintä
4	(A) Sarjanumero (B) Valmistuskuukausi (C) Valmistusvuosi (D) Eränumero (E) Mallinumero (F) Eurooppalainen standardi (G) Kapasiteetti (H) Koko (I) Ks. ohjeet (J) CE-merkintä (K) Tyypinmukaisuustarkastuksen suorittavan ilmoitetun laitoksen numero (L) Vartaloavyön koko

Veillez lire, comprendre et suivre toutes les consignes de sécurité contenues dans ces instructions avant d'utiliser ce harnais intégral. LE NON RESPECT DE CES INSTRUCTIONS PEUT CAUSER DES BLESSURES GRAVES OU LA MORT.

Ces instructions doivent être transmises à l'utilisateur de cet équipement. Conservez ces instructions pour vous y référer ultérieurement.

Utilisation prévue :

Ce harnais intégral est conçu pour être utilisé comme élément d'un système complet de protection individuelle antichute.

Toute utilisation pour d'autres applications, y compris, mais sans s'y limiter, la manutention de matériaux, des activités de loisirs ou sportives, ou d'autres activités non décrites dans les instructions d'utilisateurs, n'est pas approuvée par 3M et pourrait entraîner des blessures graves ou mortelles.

Ce dispositif ne doit être utilisé que par des utilisateurs formés pour des applications sur le lieu de travail.



AVERTISSEMENT

Ce harnais intégral fait partie d'un système de protection individuelle antichute. Tous les utilisateurs doivent être solidement formés à l'installation et au fonctionnement sécurisés de leur système antichute individuel. **Une mauvaise utilisation de ce dispositif pourrait entraîner des blessures graves ou être mortelle.** Pour ne faire aucune erreur dans la sélection, le fonctionnement, l'installation, la maintenance et l'entretien, suivez ces instructions d'utilisateur et toutes les recommandations du fabricant, consultez un superviseur ou contactez le service technique 3M.

- **Pour réduire les risques associés au travail effectué avec un harnais intégral qui, s'ils ne sont pas évités, peuvent entraîner des blessures graves ou mortelles :**
 - Inspectez le dispositif avant chaque utilisation, au moins une fois par an, et après chaque chute. Procédez à l'inspection conformément aux instructions d'utilisation.
 - Si l'inspection révèle un état dangereux ou défectueux, mettez immédiatement le dispositif hors service et détruisez-le.
 - Tout dispositif ayant été soumis à un arrêt de chute ou à une force d'impact doit immédiatement être mis hors service et détruit.
 - Vérifiez que le harnais est porté correctement, de la bonne taille et convenablement ajusté à la personne.
 - Vérifiez que tous les sous-systèmes de raccordement (par ex. les longes) sont exempts de tout danger, notamment mais sans s'y limiter, d'enchevêtrement avec d'autres travailleurs, vous-même, des engins en mouvement ou d'autres objets situés à proximité.
 - Assurez-vous que les systèmes/sous-systèmes antichute créés avec des composants provenant de divers fabricants sont compatibles et respectent les exigences des normes applicables, y compris la norme ANSI Z359 ou d'autres codes, normes ou contraintes de protection applicables contre les chutes. Consultez systématiquement une personne compétente ou qualifiée avant l'utilisation de ces systèmes.
- **Pour réduire les risques associés au travail en hauteur qui, faute de protection, peuvent entraîner des blessures graves ou mortelles :**
 - Assurez-vous que votre santé et votre condition physique vous permettent de supporter en toute sécurité les forces associées au travail en hauteur. Consultez votre médecin si vous avez des questions concernant votre aptitude à utiliser cet équipement.
 - Ne dépassez jamais les limites autorisées pour votre équipement antichute.
 - Ne dépassez jamais la distance de chute libre maximale de votre équipement antichute.
 - N'utilisez aucun équipement antichute qui n'a pas satisfait aux inspections avant utilisation ou aux autres inspections programmées, ou si vous avez des préoccupations concernant l'utilisation ou la compatibilité de l'équipement avec votre application. Contactez les services techniques de 3M si vous avez des questions.
 - Certaines combinaisons de sous-systèmes et de composants peuvent gêner le fonctionnement de cet équipement. Utilisez uniquement des raccords compatibles. Consultez 3M avant d'utiliser cet équipement conjointement avec des composants ou des sous-systèmes autres que ceux décrits dans les instructions d'utilisation.
 - Soyez particulièrement vigilant(e) lorsque vous travaillez autour des machines en mouvement (par exemple, les mécanismes d'entraînement par le haut des plates-formes pétrolières), en cas de risques électriques, de températures extrêmes, de risques chimiques, en présence de gaz explosifs ou toxiques, d'arêtes vives, ou de matériaux suspendus pouvant chuter sur vous ou sur l'équipement.
 - Utilisez des dispositifs de protection contre les arcs électriques ou conçus pour le travail à température élevée dans les environnements à chaleur intense.
 - Évitez les surfaces et les objets qui peuvent causer des dommages à l'utilisateur ou à l'équipement.
 - Vérifiez que vous disposez d'une distance d'arrêt adaptée lorsque vous travaillez en hauteur.
 - Ne modifiez ni n'altérez jamais votre équipement antichute. Seul 3M ou les parties agréées par écrit par 3M peuvent réparer cet équipement.
 - Avant l'utilisation d'un équipement antichute, vérifiez qu'un plan de sauvetage est mis en place et qu'il permettra d'effectuer un sauvetage rapide si une chute se produit.
 - En cas de chute, faites immédiatement intervenir un médecin auprès du travailleur qui est tombé.
 - N'utilisez pas de ceinture de travail pour les applications de prévention des chutes. Utilisez uniquement un harnais intégral.
 - Réduisez le risque d'effets pendulaires en travaillant autant que possible directement sous le point d'ancrage.
 - Lors de la formation à l'utilisation de ce dispositif, vous devez utiliser un système antichute secondaire afin de ne pas exposer la personne formée à un risque de chute involontaire.
 - Portez toujours un équipement de protection individuelle approprié lors de l'installation, de l'utilisation ou de l'examen du dispositif/système.

Avant d'utiliser cet équipement, enregistrer les informations d'identification du produit, indiquées sur l'étiquette d'identification, dans le « journal d'inspection et d'entretien » qui se trouve au dos du présent manuel.

Assurez-vous toujours que vous utilisez la dernière version de votre manuel d'utilisation 3M. Visitez le site Web de 3M ou contactez le service technique 3Mr manuels d'instructions mis à jour.

DESCRIPTION

La figure 1 décrit les modèles disponibles de harnais intégral 3M™ Protecta®. Le harnais est disponible en différents modèles, qui présentent diverses combinaisons des caractéristiques suivantes :

	Figure 1, référence :	Description :
Tailles	S, M/L, XL	Petit, moyen/grand, très grand
	Ⓑ	Taille de la ceinture corporelle en cm
Éléments de fixation	①	D d'accrochage dorsal
	②	D d'accrochage sternal
	③	D d'accrochage de hanche
	④	Fixation d'épaule
Boucles	⑤	Boucles automatiques
	⑥	Boucles traversantes
Dispositifs de réglage	⑦	Dispositifs de réglage sur le buste de parachute
Coussinets	⑧	Ceinture et rembourrage de hanche
	⑨	Coussinet de jambe
Autres caractéristiques	⑩	Dispositifs amovibles de fixation des longes à réinitialisation automatique
	⑪	Contrôle de la boucle sangle - Voir figure 11.
	⑫	Ceinture de sauvetage
	⑬	Boucle d'instrument

SPÉCIFICATIONS

Performance :	
Force d'arrêt maximale:	6 kN (1 349 lbf)
Capacité:	140 kg (310 lb.)
Température de service:	Minimum : -35 °C (-31 °F) Maximum : +57 °C (135 °F)

Matériaux :	
Sangle	Polyester – Résistance à la traction de 22 kN (4 946 lbf)
Étui du rembourrage	Mélange de nylon et de polyester
Étui de l'étiquette	Mélange de nylon et de polyester
Fil	Fil en polyester sur sangle en polyester
D d'accrochage	Alliage en acier - Résistance à la traction de 22 kN (4 946 lbf)
Boucles automatiques	Acier, acier inoxydable et alliage à base d'acier – Résistance à la traction de 18 kN (4 047 lbf)
Boucles standard	Alliage en acier - Résistance à la traction de 18 kN (4 047 lbf)
Dispositifs de réglage sur le buste de parachute	Alliage en acier - Résistance à la traction de 18 kN (4 047 lbf)

1.0 APPLICATIONS

1.1 OBJECTIF : Les harnais intégraux doivent être utilisés dans le cadre du système de protection antichute, qui est conçu pour empêcher les chutes ou les arrêter de façon sûre (voir figure 2). Les harnais intégraux sont utilisés pour les applications suivantes :

(A)	<p>Dispositif antichute (EN360, EN361, EN355) : Les dispositifs antichute comprennent généralement un harnais intégral et un sous-système de raccordement (longe avec absorbeur d'énergie, dispositif de rappel automatique, etc.). La force d'arrêt de chute ne doit pas dépasser 6 kN (1 349 lbf). <i>Force d'ancrage :</i> L'ancrage choisi doit pouvoir soutenir une charge de 12 kN (2 698 lbf) ou plus.</p>
(B)	<p>Positionnement (EN358, EN813) : Les systèmes de positionnement comprennent généralement un harnais intégral, une longe de positionnement et un dispositif antichute personnel de secours. Pour les applications de positionnement, connecter le sous-système de positionnement (par exemple, longe d'amortissement, longe d'amortissement en Y, etc.) aux éléments d'ancrage de fixation du dispositif de positionnement montés sur le côté inférieur (niveau de la hanche) ou sur la ceinture (anneaux en D). Ne jamais utiliser ces points de connexion pour l'antichute. <i>Éléments de fixation :</i> Frontal, hanche. <i>Force d'ancrage :</i> L'ancrage choisi doit pouvoir soutenir une charge de 12 kN (2 698 lbf) ou plus.</p>
(C)	<p>Ascension (EN353-1) : Le harnais intégral est utilisé en tant que composant d'un dispositif d'ascension destiné à empêcher l'utilisateur de tomber lorsqu'il monte à une échelle ou escalade un autre type de structure. Les dispositifs d'ascension comprennent habituellement un harnais intégral, un câble ou un rail vertical attaché à la structure, ainsi qu'un coulisseau d'ascension. Pour les applications d'ascension par échelle, les harnais équipés d'un D d'accrochage sternal dans l'emplacement sternal peuvent être utilisés pour l'antichute sur des dispositifs d'ascension à échelle fixe. <i>Éléments de fixation :</i> Sternal. <i>Force d'ancrage :</i> La structure à laquelle le dispositif d'ascension est accroché doit pouvoir soutenir les charges indiquées dans la documentation fournie par le fabricant du dispositif d'ascension.</p>
(D)	<p>Sauvetage (EN1496, EN1497, EN1498) : Le harnais intégral est utilisé en tant que composant d'un équipement de sauvetage. Les équipements de sauvetage peuvent être amenés à changer selon le type de sauvetage nécessaire. Pour les applications à accès limité (espace confiné), il est possible d'utiliser des harnais équipés de D d'accrochage sur les épaules pour entrer et sortir des espaces confinés où le profil de l'ouvrier constitue un problème. <i>Éléments de fixation :</i> Dorsal, sternal, frontal, épaules. <i>Force d'ancrage :</i> L'ancrage choisi doit pouvoir soutenir une charge de 12 kN (2 698 lbf) ou plus.</p>
(E)	<p>Descente contrôlée (EN341) : Pour les applications de descente contrôlée, il est possible d'utiliser des harnais équipés d'un D d'accrochage unique de niveau sternal, un ou deux D d'accrochage montés en position frontale ou une paire de connecteurs venant d'en dessous la taille (tel qu'une élingue) en vue de la connexion à un dispositif de descente ou à un système d'évacuation. <i>Éléments de fixation :</i> Dorsal, sternal, frontal. <i>Force d'ancrage :</i> Les ancrages choisis doivent pouvoir soutenir une charge de 12 kN (2 698 lbf) ou plus.</p>
(F)	<p>Dispositif de retenue (EN354) : Le harnais intégral est utilisé en tant que composant d'un dispositif de retenue destiné à protéger l'utilisateur d'un risque de chute. Les dispositifs de retenue comprennent généralement un harnais intégral et une longe ou une sangle de retenue. <i>Éléments de fixation :</i> Dorsal, sternal, frontal, hanche. <i>Force d'ancrage :</i> L'ancrage choisi doit pouvoir soutenir une charge au moins 18 kN (4 047 lbf) lorsque des longes comprenant un matériau textile ou des éléments de longes textiles, par ex. des cordes ou des sangles en fibres synthétiques sont utilisées. Lorsque des longes entièrement constituées d'éléments métalliques sont utilisées, l'ancrage doit supporter des charges d'au moins 12 kN (2 698 lbf).</p>

1.2 NORMES : Les harnais présentés dans ce manuel respectent les normes indiquées en couverture. Si ce produit est revendu en dehors du pays de destination d'origine, le revendeur doit fournir ces instructions dans la langue du pays où il sera utilisé.

1.3 FORMATION : Il incombe à l'utilisateur et l'acheteur de cet équipement de s'assurer qu'ils se sont familiarisés avec ces instructions, qu'ils ont été formés à l'entretien et à l'utilisation correctes du matériel et qu'ils sont conscients des caractéristiques de fonctionnement, des limites d'application et des conséquences d'une mauvaise utilisation de cet équipement.

1.4. LIMITES : Les limites d'application suivantes doivent être prises en compte avant l'utilisation de cet équipement :

- **CAPACITÉ :** Le harnais intégral est conçu pour être utilisé par des personnes dont le poids total (en comptant les vêtements, les outils, etc.) ne dépasse pas 140 kg (309 lb.). Vérifier que tous les éléments de votre système sont compatibles avec une capacité correspondant à votre application.
- **CHUTE LIBRE :** Un système antichute doit comporter des éléments ou fonctions absorbant l'énergie, de manière à ce que les forces d'impact sur le corps de l'utilisateur lors de l'arrêt d'une chute libre soient limitées à 6 kN (1 349 lbf) au maximum. Les dispositifs de retenue doivent être capelés pour empêcher toute chute libre verticale. Les dispositifs de positionnement doivent être capelés de telle sorte que la chute libre soit limitée à 60 cm (24 in.) ou moins. Les harnais personnels doivent être capelés pour qu'aucune chute libre verticale ne soit possible. Les dispositifs de secours doivent être capelés pour qu'aucune chute libre verticale ne soit possible. Pour en savoir plus, voir les instructions du fabricant.
- **DISTANCE D'ARRÊT :** La figure 3 illustre les principaux composants d'un dispositif antichute. Prévoir une distance d'arrêt suffisante pour arrêter une chute avant que l'utilisateur ne touche le sol ou un autre obstacle. La distance d'arrêt est affectée par plusieurs facteurs, dont : (A) la longueur de la longe, (B) la distance de décélération de la longe ou la distance d'arrêt maximum de l'antichute à rappel automatique, (C) la capacité d'étirement du harnais et la longueur et l'emplacement du D d'accrochage/du connecteur (le facteur de sécurité est généralement de 0,5 m (1,6 ft.)). Consulter les instructions fournies avec votre longe ou votre dispositif autorétractable pour plus de détails concernant le calcul de la distance d'arrêt.
- **CHUTES AVEC EFFET PENDULAIRE :** Les chutes avec effet pendulaire se produisent lorsque le point d'ancrage ne se trouve pas directement au-dessus du point de chute (voir la Figure 4). La force de la collision avec un objet lors d'une chute avec effet pendulaire peut occasionner des blessures graves voire la mort. Réduire le risque d'effets pendulaires en travaillant autant que possible directement sous le point d'ancrage. Éviter les chutes avec effet pendulaire si des risques de blessure existent. Les chutes avec effet pendulaire augmentent fortement les distances d'arrêt nécessaires lorsqu'un dispositif de rappel automatique ou un autre sous-système de raccordement de longueur variable est utilisé.
- **SUSPENSION PROLONGÉE ET TRAUMATISME CAUSÉ PAR LA SUSPENSION :** Un harnais intégral n'est pas adapté à une utilisation en suspension prolongée. Un traumatisme de la suspension peut être provoqué par une durée prolongée de celle-ci. Si l'utilisateur doit rester suspendu pendant une longue période, il est conseillé d'utiliser un dispositif permettant de s'asseoir. 3M recommande l'utilisation d'une banquette, d'une sellette, d'une élingue ou d'une chaise de mât. Contacter 3M pour obtenir de plus amples informations sur ces éléments.
- **RISQUES ENVIRONNEMENTAUX :** L'utilisation de cet équipement dans des zones à risque environnemental peut nécessiter des précautions supplémentaires pour éviter tout risque de blessures corporelles de l'utilisateur ou de dommages matériels. Par risque environnemental, on entend notamment la présence de chaleur, de produits chimiques, d'environnements corrosifs, de lignes à haute tension, de gaz, de machines en mouvement ou d'arêtes tranchantes.

- **HARNAIS DESTINÉS AUX ENVIRONNEMENTS CHAUDS** : Les harnais avec sangles en Kevlar sont conçus pour être utilisés dans les environnements de haute température, dans les limites suivantes : Les sangles en Kevlar commencent à se carboniser entre 425 - 480 °C (800 - 900 °F). Les sangles en Kevlar peuvent supporter une exposition limitée à des températures allant jusqu'à 535 °C (1 000 °F). Les sangles en polyester commencent à perdre leur résistance à partir de 145 - 200 °C (300 - 400 °F). Le revêtement en PVC qui recouvre le matériel a une température de fusion d'environ 175 °C (350 °F).

Bien que le matériel zingué ou à revêtement PVC présente une excellente résistance à la corrosion en environnements chimiques, acides, alcalins et atmosphériques, des inspections fréquentes peuvent être nécessaires. Consulter 3M si vous n'êtes pas certain de pouvoir utiliser un équipement en environnement dangereux.

2.0. UTILISATION DU DISPOSITIF

- 2.1 PLAN DE SAUVETAGE** : Avant d'utiliser cet équipement et de connecter le(s) sous-système(s), l'employeur devra disposer d'un plan de sauvetage et de moyens disponibles permettant sa mise en œuvre et le communiquer aux utilisateurs¹, aux personnes agréées² et aux sauveteurs³.
- 2.2 FRÉQUENCE D'INSPECTION** : Le harnais intégral doit être inspecté par l'utilisateur avant chaque utilisation et, par ailleurs, par une personne compétente⁴ autre que l'utilisateur à des intervalles inférieurs à un an⁵. Les procédures d'inspection sont décrites dans la section du *Manuel d'instruction intitulée « Journal de vérification et d'entretien »*. Les résultats de chaque inspection réalisée par une personne compétente doivent être enregistrés sur les copies du « *Journal d'inspection et d'entretien* » ou enregistrés avec le système de plaque d'identification par radiofréquence (voir « *Inspection* »).

Lorsque 3M l'exige, à cause de la complexité ou du caractère novateur de l'équipement, ou lorsque des connaissances spécialisées sont nécessaires au démontage, au remontage ou à l'évaluation de l'équipement, les examens périodiques seront effectués uniquement par 3M ou des personnes ou organismes agréés par 3M.

- 2.3 COMPATIBILITÉ DES COMPOSANTS** : L'équipement 3M est destiné à être utilisé uniquement avec des composants et des sous-systèmes agréés 3M. La substitution ou le remplacement de pièces par des composants ou des sous-composants non approuvés peut compromettre la compatibilité de l'équipement et affecter la sécurité et la fiabilité de l'ensemble du système.
- 2.4 COMPATIBILITÉ DES CONNECTEURS** : Les connecteurs sont considérés comme compatibles avec les éléments de raccordement lorsqu'ils ont été conçus de sorte que ni leur taille ni leur forme ne provoquent l'ouverture spontanée de leur mécanisme, quelle que soit leur orientation. Pour toute question concernant la compatibilité, contacter 3M. Les connecteurs (crochets, mousquetons et D d'accrochage) doivent être capables de soutenir au moins 22 kN (4 946 lbf). Les connecteurs doivent être compatibles avec l'ancrage ou tout autre composant du dispositif. Ne pas utiliser un équipement non compatible. Les connecteurs non compatibles peuvent se désengager accidentellement (voir la figure 5). Les connecteurs doivent être compatibles par leur taille, leur forme et leur résistance. Si le connecteur doté d'un crochet à ressort (illustré) ou d'un mousqueton est trop petit ou de forme irrégulière, il se peut que le connecteur applique une force à l'ouverture du crochet à ressort ou du mousqueton. Cette force pourrait entraîner l'ouverture du mécanisme et provoquer le détachement du crochet mousqueton ou du mousqueton de son point de raccordement. Des crochets mousquetons à verrouillage automatique et des mousquetons sont requis.
- 2.5 RACCORDEMENT** : Utiliser uniquement des mousquetons auto-bloquants avec ce matériel. Utiliser uniquement des connecteurs appropriés pour chaque application. Vérifier que toutes les connexions sont compatibles en taille, en forme et en résistance. Ne pas utiliser un équipement non compatible. Vérifier que tous les connecteurs sont bien fermés et verrouillés.

Les connecteurs 3M (mousquetons) sont destinés à être utilisés uniquement selon les instructions de chacun des produits. Se reporter à la figure 6 pour identifier les raccords inappropriés. Les crochets à ressort et les mousquetons 3M ne doivent pas être connectés :

- A. à un anneau en D auquel un autre connecteur est fixé ;
 - B. d'une manière qui provoquerait une charge sur l'ouverture ;
 - C. dans une configuration défectueuse où des éléments dépassant du crochet mousqueton ou du mousqueton s'accrochent à l'ancrage et où tout laisse à penser, sans être toutefois confirmé visuellement, que la fixation au point d'ancrage est correcte ;
 - D. l'un à l'autre ;
 - E. directement à la sangle ou à la longe ou câble de sécurité (à moins que les instructions du fabricant de la longe et du connecteur n'autorisent un raccordement de ce type) ;
 - F. à un objet ayant une forme ou une dimension empêchant la fermeture et le verrouillage du crochet mousqueton ou du mousqueton, ou risquant de provoquer un détachement ;
 - G. d'une manière qui ne permet pas le bon alignement du connecteur lorsqu'il est sous charge.
- 2.6 RACCORDEMENT DES SOUS-SYSTÈMES** : Les sous-systèmes de connexion (antichute à rappel automatique, longe, coulisseau sur corde et ligne de vie, manchon de câble, etc.) doivent convenir à votre application (voir section 1.1). Pour en savoir plus, voir les instructions du fabricant. Certains modèles de harnais disposent de passants. Ne pas connecter de mousqueton simple à ces passants. Il convient d'utiliser un mousqueton à verrouillage automatique. S'assurer que le poids ne peut pas être appliqué sur le doigt du mousqueton plutôt que dans son axe principal. Certaines longes sont conçues pour se resserrer autour des passants afin d'offrir un raccordement convenable. Les longes peuvent être cousues directement aux passants pour former un raccordement permanent. Ne jamais effectuer plusieurs raccords sur un seul passant, à moins que vous ne raccordez deux longes à un passant de taille appropriée. Pour effectuer un nœud coulant avec longe autour d'un passant (figure 7) : A) Insérer la boucle de la longe dans le passant ou le D d'accrochage situé sur le harnais. B) Insérer l'extrémité de la longe dans la boucle de la longe. C) Pour effectuer le raccordement, faire passer la longe dans le passant.
- 2.7 DISPOSITIF DE FIXATION DE LA LONGE** : La figure 8 illustre le dispositif de fixation de la longe. Celui-ci sert à fixer l'extrémité libre d'une longe ou d'un dispositif de rappel automatique monté sur le harnais, lorsque ceux-ci ne sont pas raccordés à un point d'ancrage à des fins de protection antichute. Les dispositifs de fixation de longe ne doivent jamais être utilisés comme élément d'attache de protection antichutes sur le harnais pour connecter une longe ou un dispositif auto-rétractable (A).

Lorsqu'elle n'est pas connectée à un point de connexion d'ancrage, une jambe de longe non connectée doit être correctement positionnée sur le harnais (B) ou fixée dans la main de l'utilisateur comme dans les applications de connexion à 100 % (Tie-Off) (C). Les jambes de longe qui pendent (D) peuvent faire trébucher l'utilisateur ou accrocher des objets environnants, ce qui peut entraîner une chute.

- 1 Utilisateur** : une personne qui effectue des travaux en hauteur en étant protégée par un équipement de protection individuelle antichute.
- 2 Personne agréée** : personne désignée par l'employeur pour effectuer des tâches sur un site où elle sera exposée à un risque de chute.
- 3 Sauveteur** : personne(s) autre(s) que la personne secourue, chargée(s) d'effectuer un sauvetage au moyen d'un équipement de sauvetage.
- 4 Personne compétente** : personne capable d'identifier des dangers existants et prévisibles dans les milieux de travail, ou des conditions de travail non hygiéniques ou dangereuses pour les ouvriers, et ayant l'autorisation de prendre des mesures correctives rapides pour les éliminer.
- 5 Fréquence d'inspection** : des conditions de travail extrêmes (environnement hostile, utilisation prolongée, etc.) peuvent nécessiter des inspections plus fréquentes par une personne compétente.

3.0 UTILISATION DU HARNAIS

3.1 AVANT CHAQUE UTILISATION de cet équipement, inspectez-le selon les instructions données dans le « *Journal de vérification et d'entretien* » (Tableau 1).

3.2 PRÉPAREZ correctement votre dispositif avant de l'utiliser. Considérez tous les facteurs qui affecteront votre sécurité pendant l'utilisation de ce matériel. La liste suivante livre des informations à prendre en compte lors de la planification de votre dispositif :

- **Ancrage** : Choisissez un point d'ancrage capable de soutenir les charges statiques de l'équipement antichute prévu (voir la section 1.1). L'emplacement de l'ancrage doit répondre aux exigences décrites dans la section 1.4. Celles-ci concernent la chute libre, la distance d'arrêt, l'effet pendulaire et l'environnement.
- **Arrêtes vives** : Évitez de travailler dans des endroits où les composants du système pourraient être en contact avec des arêtes vives non protégées ou s'éroder à leur contact.
- **Après une chute** : Les composants qui ont été sujets aux forces d'arrêt de chute doivent être mis hors-service et détruits.
- **Sauvetage** : L'employeur doit disposer d'un plan de secours pour l'utilisation de ce matériel. L'employeur doit avoir les moyens de mettre en place des secours de manière rapide et sûre
- **Harnais de sauvetage** : Les harnais de sauvetage (EN1497) sont conçus pour être portés pendant des activités professionnelles normales. Avant d'utiliser pour la première fois les éléments de fixation destinés au sauvetage, l'utilisateur doit effectuer un test de suspension en toute sûreté afin de s'assurer que le harnais est à la bonne taille et est correctement ajusté pour garantir son confort durant la suspension.
- **Dispositif de positionnement** : Tenez toujours compte de la nécessité d'utiliser un système de protection individuelle contre les chutes de secours (par exemple, un système antichute) lorsque vous utilisez un système de positionnement de travail. Utilisez toujours un point d'ancrage positionné au niveau de la taille ou au-dessus.

3.3. BOUCLES : Les harnais intégraux sont équipés de boucles, qui permettent de fixer et d'ajuster les sangles de jambes et de poitrine. Les ceintures de travail du harnais disposent de boucles à ardillon. Référez-vous à la figure 1 pour prendre connaissance des différents types de boucles présents sur votre harnais. La figure 9 illustre le fonctionnement de chacune des boucles suivantes :

1. Boucles automatiques :

- A. Pour fixer la boucle automatique, introduisez l'ergot dans le récepteur jusqu'à ce que vous entendiez un déclic.
- B. Pour ajuster l'ancrage à sangle attaché : Tirez l'ancrage à sangle vers l'avant ou vers l'arrière dans la fente de la boucle pour serrer ou desserrer.
- C. Pour détacher la boucle automatique : Appuyez sur les leviers de verrouillage des deux côtés du récepteur. Sortez l'ergot du récepteur.

2. Boucles traversantes :

- A. Insérez la boucle mâle dans la fente de la boucle femelle.
- B. Serrez la sangle libre de façon à ce que la boucle mâle soit de niveau avec la boucle femelle. Fixez la sangle libre au dispositif prévu à cet effet.

3.4 RÉGLAGES : Les harnais sont équipés de dispositifs de réglage parachute situés sur le buste pour ajuster les sangles d'épaule. La figure 10 illustre le réglage des dispositifs de réglage situés sur le buste :

1. Dispositifs de réglage parachute situés sur le buste : Pour ajuster les sangles d'épaule grâce aux dispositifs de réglage parachute situés sur le buste :

- A. Tirez sur la sangle libre pour serrer la sangle d'épaule. Pour desserrer la sangle d'épaule, tirez sur la sangle libre, puis faites passer la sangle dans le réglage parachute.
- B. Lorsque le réglage est terminé, fixez la sangle libre au dispositif prévu à cet effet.

Si la gestion d'extrémité de bande velcro (voir figure 11) est présente, faites reculer la bande de bande libre jusqu'à ce qu'elle soit bien serrée (A), reliez les bandes velcro sur la bande et fixez les bandes (B). Assurez-vous que le rouleau est bien serré et que le support de sangle est déplacé près du rouleau (C).

3.5 ENFILER ET AJUSTER LE HARNAIS INTÉGRAL : La figure 13 illustre comment enfiler et ajuster le harnais intégral. Avant chaque utilisation, inspectez le harnais selon les instructions données dans la section « *Journal de vérification et d'entretien* (Tableau 1) ». Pour enfiler et régler le harnais :

La procédure pour attacher et ajuster les sangles sur votre harnais sera différente selon le modèle. Voir les sections 3.3 et 3.4 et les figures 9 et 10 pour plus de détails.

1. Soulevez le harnais en le tenant par le D d'accrochage dorsal. Vérifiez que les sangles ne sont pas torsadées.
2. Empoignez les bretelles et enfiler un bras dans le harnais. Le D d'accrochage se trouvera alors sur votre dos. Assurez-vous que les sangles ne sont pas emmêlées et qu'elles pendent librement. Enfiler l'autre bras dans le harnais et ajustez les bretelles sur le haut de vos épaules. La sangle de poitrine, dotée d'une boucle à fermeture rapide, doit se trouver sur le devant une fois le harnais mis correctement.
3. Allez chercher entre vos jambes la sangle de la jambe droite. Amenez la sangle entre vos jambes, attachez-la à la boucle correspondante de votre hanche droite, puis resserrez la sangle jusqu'à ce qu'elle soit bien ajustée et que vous vous sentiez à l'aise (voir la section 3.3 pour le fonctionnement de la boucle). Une fois la sangle de la jambe droite correctement ajustée, rangez son extrémité libre sous le dispositif prévu à cet effet.
Suivez la même procédure pour boucler et régler la sangle de la jambe gauche.
4. Ajustez et attachez la boucle à ardillon de la ceinture de maintien le cas échéant. (Voir la section 3.3 pour le fonctionnement de la boucle à ardillon).
5. Bouclez et réglez la sangle de poitrine (voir la section 3.3 pour le fonctionnement de la boucle). La sangle thoracique doit se trouver à 15 cm (6 in) du haut de vos épaules. Une fois la sangle de poitrine correctement ajustée, rangez son extrémité libre sous le dispositif prévu à cet effet.

6. Réglez les sangles d'épaule grâce aux dispositifs de réglage du buste (voir la section 3.4 pour le fonctionnement des dispositifs de réglage sur le buste). Il convient de régler les sangles d'épaules gauche et droite à la même longueur, et de centrer la sangle thoracique au niveau de la poitrine, à 15 cm (6 in) des épaules. Le D d'accrochage dorsal doit se trouver bien au milieu, entre vos omoplates. Le D d'accrochage sternal, s'il est présent, doit se trouver à 5 cm (2 in) de la ligne médiane verticale du harnais.

Vérifiez régulièrement les éléments de fixation et de réglage pendant l'utilisation.

- 3.6 UTILISATION DU D D'ACCROCHAGE OU DE L'ÉLÉMENT DE FIXATION ANTICHUTE :** Les points d'ancrage pour l'antichute sont marqués de la lettre majuscule «A». Pour les applications antichute, faites le raccord au D d'accrochage dorsal ou à l'élément de fixation sur votre dos, entre vos omoplates, ou un Le D d'accrochage sternal sur votre poitrine. Les éventuels D d'accrochage latéraux sont destinés aux applications de positionnement ou servent de dispositif de retenue uniquement. Les fixations au niveau des épaules sont destinées aux applications de sauvetage uniquement. Le D d'accrochage sternal est destiné à l'ascension d'échelles ou au positionnement. Les D d'accrochage situés sur la sellette de suspension sont destinés aux applications de suspension ou de positionnement uniquement. (Voir section 1.1.)
- 3.7 RACCORDEMENT :** Lorsque vous utilisez un mousqueton à raccorder à un ancrage ou lorsque vous coupez ensemble des composants du système, assurez-vous qu'ils ne peuvent pas se décrocher. Les décrochages peuvent avoir lieu en cas d'interférence entre le mousqueton et le connecteur correspondant provoquant l'ouverture accidentelle du mousqueton. Utilisez des crochets et des mousquetons auto-bloquants pour réduire le risque de décrochage. N'utilisez pas de crochets ou de connecteurs qui ne se referment pas complètement sur l'élément de fixation. Pour en savoir plus sur les connexions, consultez les instructions du fabricant du sous-système.
- 3.8 RACCORDEMENT DES COMPOSANTS DU DISPOSITIF :** Après avoir correctement enfilé le harnais, l'utilisateur peut, s'il le souhaite, raccorder d'autres composants. Suivez les directives de la section 2 et les instructions du fabricant fournies avec le composant.

4.0 INSPECTION

- 4.1 FRÉQUENCE D'INSPECTION :** Le harnais intégral doit être inspecté aux intervalles indiqués dans la section 2.2. Les procédures d'inspection sont décrites dans le « *Journal d'inspection et d'entretien* » (Tableau 1).
- 4.2 DÉFECTUOSITÉS :** Si l'inspection révèle un état défectueux, mettre immédiatement le harnais hors service et le détruire.
- 4.3 DURÉE DE VIE DU PRODUIT :** La durée de vie fonctionnelle des harnais dépend des conditions d'utilisation et de l'entretien. La durée de vie maximum peut aller de 1 an pour une utilisation intensive dans des conditions extrêmes à 10 ans dans des conditions d'utilisation peu intensives à normales. Le produit peut rester en service tant qu'il répond aux critères d'inspection jusqu'à 10 ans maximum.

5.0 ENTRETIEN, RÉVISION, STOCKAGE

Ne pas nettoyer ou désinfecter le produit par une méthode différente de celle décrite dans les instructions de nettoyage suivantes. L'utilisation d'autres méthodes de nettoyage peut avoir des effets néfastes sur le produit ou sur l'utilisateur.

- 5.1 NETTOYAGE :** Les harnais de sécurité de 3M doivent être nettoyés conformément aux instructions de 3M. Pour nettoyer le harnais, le laver dans un détergent doux sans javel, puis rincer. Le harnais doit ensuite être suspendu pour sécher à l'air libre. La température de l'eau pour le nettoyage et la température de séchage à l'air libre ne doivent jamais dépasser 54,4 °C. Pour plus d'informations, veuillez consulter le bulletin technique sur notre site Web: <http://www.3M.com/FallProtection/WebCleaning>

Pour toute question concernant les procédures de nettoyage, veuillez contacter le service technique de 3M.

- 5.2 RÉVISION :** Les harnais intégraux ne sont pas réparables. Si le harnais a été soumis à une force antichute ou si l'inspection révèle un état dangereux ou défectueux, mettre le harnais hors service immédiatement et le détruire
- 5.3 STOCKAGE ET TRANSPORT :** Entrez et transportez le harnais intégral dans un endroit propre, sec et frais, à l'abri de la lumière directe du soleil. Évitez les endroits pouvant contenir des vapeurs chimiques. Inspectez soigneusement le harnais après une période de stockage prolongée.

6.0 ÉTIQUETAGE

La figure 14 illustre les étiquettes produit et leur emplacement sur le harnais intégral. Toutes les étiquettes doivent être présentes et entièrement lisibles.

Les informations présentes sur chaque étiquette sont les suivantes :

1	(A) Point d'ancrage pour arrêt de chute, marqué par la lettre majuscule «A» (B) Emplacement de l'étiquette
2	(A) Relevé d'inspection (B) Numéro de série (C) Initiales (D) Date (E) Ne pas retirer cette étiquette.
3	(A) Étiquette d'information utilisateur
4	(A) Numéro de série (B) Mois de fabrication (C) Année de fabrication (D) Numéro de lot (E) Numéro de modèle (F) Norme européenne (G) Capacité (H) Taille (I) Voir instructions (J) Marquage CE (K) Numéro de l'organisme notifié vérifiant la conformité au type (L) Taille de ceinture de corps

לפני השימוש ברתמת הגוף המלאה, עליך לקרוא, להבין וליישם את כל מידע הבטיחות הכלול בהוראות. אם לא תעשה כן, התוצאה עלולה להיות פציעה חמורה או מוות.

יש למסור הוראות אלה למשתמש בצידוד זה. יש לשמור את ההוראות הללו לצורך עיון בעתיד.

השימוש המיועד:

רתמת הגוף המלאה נועדה לשימוש כחלק ממערכת בלימת נפילה אישית מלאה.

השימוש לכל מטרה אחרת כולל, בין היתר, שינוע חומרים, פעילויות הקשורות לפנאי או לספורט או פעילויות אחרות שאינן מתוארות בהוראות למשתמש, אינן מאושר על ידי 3M ועלול להוביל לפציעה קשה או מוות.

רק למשתמשים שעברו הדרכה לגבי יישומים במקומות העבודה מותר להשתמש בהתקן זה.

אזהרה

רתמת הגוף המלאה הזאת היא חלק ממערכת בלימת נפילה אישית. כל המשתמשים נדרשים לעבור הדרכה מלאה בהרכבה ובתפעול בטיחותיים של המערכת האישית לבלימת נפילה שבה הם משתמשים. שימוש לא נכון בהתקן זה עלול להוביל לפציעה קשה או מוות. לצורך בחירה, תפעול, הרכבה, תחזוקה ושירות נכונים יש לעיין בהוראות אלו ובכל המלצות היצרן, לפנות לממונה עליך או ליצור קשר עם מחלקת השירות הטכני של 3M.

● כדי להקטין את הסיכונים הקשורים בעבודה עם רתמת גוף מלאה, שאם לא יימנעו עלולים להוביל לפציעה קשה או מוות:

- יש לבדוק את ההתקן לפני כל שימוש, לפחות פעם בשנה, ולאחר כל אירוע של נפילה. יש לבצע את הבדיקה על פי ההוראות למשתמש.
- אם מתגלים בבדיקה תנאים לא בטיחותיים או תקלה, יש להוציא את ההתקן משימוש ולהשמיד אותו.
- יש להוציא מיד משימוש ולהשמיד כל התקן שנחשף לבלימת נפילה או לכוח בלימה.
- יש לוודא שהרתמה נלבשה בצורה נכונה, שהמידה שלה מתאימה ושהיא מותאמת היטב.
- יש לוודא שכל תתי-המערכת המחוברת (למשל חבלי אבטחה) חופשיות מכל סיכון כולל, בין היתר, הסתבכות עם עובדים אחרים, עם עצמך, עם חלקי מכונות נעים או עם עצמים אחרים שנמצאים בסביבה.
- יש לוודא שהמערכות ותתי-המערכת לבלימת נפילה, המורכבות מחלקים המיוצרים על ידי יצרנים שונים, מתאימות זו לזו ועומדות בדרישות של התקנים הישימים, כולל ANSI Z359 או בחוקים, בתקנים ובדרישות האחרים החלים על בלימת נפילה. לפני השימוש במערכות אלו יש להתייעץ עם אדם מיומן או מוסמך.

● כדי להקטין את הסיכונים הקשורים בעבודה בגובה, שאם לא יימנעו הם עלולים להוביל לפציעה קשה או מוות:

- יש לוודא שבריאותך ומצבך הגופני מאפשרים לך לעמוד בבטחה בכל הכוחות הקשורים בעבודה בגובה. התייעץ עם הרופא שלך במקרה של שאלות בנוגע ליכולתך להשתמש בצידוד זה.
- אסור לחרוג מהקיבולת המותרת של הצידוד לבלימת נפילה.
- אסור לחרוג ממרחק הנפילה החופשית המרבי של הצידוד לבלימת נפילה.
- אסור להשתמש בצידוד לבלימת נפילה שלא עבר בהצלחה את הבדיקות טרום השימוש או ביקורות מתוכננות אחרות, או במקרה של חששות הקשורים לשימוש או להתאמת הצידוד ליישום שלך. בכל מקרה של שאלה, צור קשר עם מחלקת השירות הטכני של 3M.
- שילובים מסוימים של תתי-מערכת ורכיבים עלולים להפריע לתפעול צידוד זה. השתמש רק בחיבורים מתאימים. כאשר נעשה שימוש בצידוד זה יחד עם חלקים או תתי-מערכת השונים מאלה המפורטים בהוראות למשתמש, יש להתייעץ עם 3M.
- יש לנהוג משנה זהירות בעת עבודה בקרבת מכונות נעות (לדוגמה, מגדל המקדחה באסדת קידוח), סיכוני חשמל, טמפרטורות קיצוניות, סיכונים כימיים, גזים נפיצים או רעילים וחפצים חדים או עבודה מתחת לחפצים הממוקמים בגובה העלולים ליפול עליך או על הצידוד לבלימת נפילה.
- במהלך עבודה בסביבות ששוררת בהן טמפרטורה גבוהה יש להשתמש במכשירים שאושרו לעבודות בתנאי חום או בקשת חשמלית.
- יש להימנע ממשטחים ומחפצים העלולים לגרום נזק למשתמש או לצידוד.
- ודא שמרווח הנפילה הוא גדול מספיק בזמן עבודה בגובה.
- אסור לבצע שינויים בצידוד לבלימת נפילה. רק ל-3M ולגופים שקיבלו ממנה אישור בכתב לכך מותר לבצע תיקונים בצידוד זה.
- לפני השימוש בצידוד לבלימת נפילה, יש להבטיח שקיימת תוכנית חילוץ שמאפשרת לבצע חילוץ מהיר במקרה של אירוע נפילה.
- במקרה של אירוע נפילה, יש לדאוג מיד למתן טיפול רפואי לעובד שנפל.
- אסור להשתמש בחגורת גוף לשימושים של בלימת נפילה. יש להשתמש רק ברתמת גוף מלאה.
- כדי לצמצם ככל האפשר את נפילות הנדנוד, יש לעבוד הישר מתחת לנקודת העיגון.
- בהדרכה באמצעות צידוד זה יש להשתמש במערכת משנית להגנה בנפילה, כדי שהחניך לא ייחשף לסכנת נפילה בלתי מכוונת.
- במהלך ההרכבה, השימוש או הבדיקה של ההתקן/מערכת, יש ללבוש תמיד צידוד מגן אישי מתאים.

לפני השימוש בציוד זה, רשום ביומן הבדיקות והתחזוקה בחוברת זו את פרטי הזיהוי של המוצר אשר רשומים בתווית המזהה שב"יומן הבדיקות והתחזוקה" בצדו האחורי של מדריך זה.

הקפד להשתמש במהדורה האחרונה של מדריך ההוראות של M3. בקר באתר M3 או פנה לשירותים הטכניים של M3 לקבלת מדריכי הוראות מעודכנים.

תיאור

תרשים 1 מגדיר את דגמי רתמת הגוף המלא 3M™ Protecta. הנמצאים במלאי. דגמי הרתמה קיימים במלאי עם מגוון שילובים של המאפיינים הבאים:

תיאור:	תרשים 1 התייחסות	
Small, Medium/Large, Extra Large	S, M/L, XL	מידות
רטמיטנסב פוג תרוגח לדוג	Ⓑ	
טבעת D עילית	①	רכיבי התחברות
המתחברת מאחור D טבעת	②	
למתניים D טבעות	③	
אבזמי כתפיים	④	
אבזמי חיבור מהיר	⑤	אבזמים
אבזמי מעבר	⑥	
מתאמי גוף מצנח	⑦	מתאמים
כריות חגורה ומתניים	⑧	רפידות
רפידת רגל	⑨	
שומרי חבל ביטחון מתנתקים עם איפוס אוטומטי	⑩	מאפיינים נוספים
ניהול קצות רשת ראה אזור 11	⑪	
חגורת הצלה	⑫	
מכשיר לולאה	⑬	

מפרט

ביצועים	
כוח בלימה מירבי	6 קילו ניוטון (1,349 lbf)
קיבולת	140 ק"ג (310 lb.)
טווח טמפרטורת פעולה	-31 °F (-35 °C מינימום: 135 °F (+57 °C מקסימום):

חומרים	
רשת	כוח מתיחה (4 946 lbf) פוליאסטר - 22 קילו ניוטון
כיסויי כריות	תערובת ניילון ופוליאסטר
כיסוי תווית	תערובת ניילון ופוליאסטר
חוט	חוט פוליאסטר על רשת פוליאסטר
D טבעות	כוח מתיחה (4 946 lbf) סגסוגת פלדה - 22 קילו ניוטון
אבזמי חיבור מהיר	כוח מתיחה (4 047 lbf) פלדה, פלדת אל חלד וסגסוגת פלדה - 18 קילו ניוטון
אבזמי מעבר	כוח מתיחה (4 047 lbf) סגסוגת פלדה - 18 קילו ניוטון
מתאמי גוף מצנח	כוח מתיחה (4 047 lbf) סגסוגת פלדה - 18 קילו ניוטון

1.1 מטרה: רתמות הגוף המלא משמשות כחלק מהמערכת האישית להגנה מפילות המתוכננת למנוע נפילה או לבלום נפילה בצורה בטוחה (ראה אזור 2). רתמות גוף מלא משמשות במערכות הבאות:

A	<p>בלימת נפילה (EN360, EN361, EN355): מערכות אישיות לבלימת נפילה מכילות לרוב רתמת גוף מלא ותת מערכת מתחברת (חבל סופג אנרגיה, מנגנון גלילה וכו'). כוח הבלימה המרבי לא יעלה על 6 kN (1 349 lbf). <i>חוזק העיגון:</i> העיגון הנבחר חייב לעמוד בעומסים של 12 kN (2 698 lbf) או גדולים יותר.</p>
B	<p>מיקום בעבודה (EN358, EN813): מערכות מיקום בעבודה כוללות לרוב רתמת גוף מלא, חבל מיקום ומערכת גיבוי אישית לבלימת נפילות. לצורך מיקום בעבודה, חבר את תת מערכת מיקום בעבודה (לדוגמה: חבל עבודה Y וכדומה) לצד התחנות (בגובה המותניים) או לרכיבי עיגון המתחברים לאבזם המיקום בעבודה שעל גבי החגורה (טבעות D). לעולם אין להשתמש בנקודות חיבור אלה לצרכי בלימת נפילה. רכיבי התחברות: קדמי, אגן הירכיים. <i>חוזק העיגון:</i> העיגון הנבחר חייב לעמוד בעומסים של 12 kN (2 698 lbf) או גדולים יותר.</p>
C	<p>טיפוס (EN353-1): רתמת הגוף המלא משמשת כרכיב במערכת טיפוס כדי למנוע מהמשתמש ליפול במהלך טיפוס על סולם או אמצעי טיפוס אחר. מערכות טיפוס כוללות לרוב רתמות גוף מלא, כבל או שרשרת אנכיים המחברים לאמצעי הטיפוס ושוורל טיפוס. לצורך טיפוס על סולם, ניתן להשתמש ברמתה בעלת טבעת D קדמית בחלק האחורי לצורך בלימת נפילה במערכות טיפוס על סולם קבוע. רכיבי התחברות: אחורי. <i>חוזק העיגון:</i> אמצעי הטיפוס שאליו מחוברת מערכת הטיפוס חייב לעמוד בעומסים הדרושים לפי המסמכים של יצרן מערכת הטיפוס.</p>
D	<p>חילוץ (EN1498, EN1497, EN1496): רתמת הגוף המלא משמשת כרכיב במערכת חילוץ. מערכות חילוץ נבנות על פי סוג החילוץ. למקומות בעלי גישה מוגבלת (חללים סגורים), רתמה המצוידת בטבעות D בכתפיים משמשות לכניסה ויציאה מחללים סגורים שבהם פרופיל העובד הוא סוגיה משמעותית. רכיבי התחברות: עליון, אחורי, קדמי, כתפיים. <i>חוזק העיגון:</i> העיגון הנבחר חייב לעמוד בעומסים של 12 kN (2 698 lbf) או גדולים יותר.</p>
E	<p>ירידה מבוקרת (EN341): לצורך ירידה מבוקרת, ניתן להשתמש ברמתות המצוידות בטבעת D יחידה בחלק האחורי, טבעת D אחת או שתיים המורכבות בחזית, או צמד של אבזמים שמקורם מתחת למתניים (כמו חגורת המושב) כדי לחבר למערכת ירידה או פינוי. רכיבי התחברות: עליון, אחורי, קדמי. <i>חוזק העיגון:</i> העיגון הנבחר חייב לעמוד בעומסים של 12 kN (2 698 lbf) או גדולים יותר.</p>
F	<p>ריסון (EN354): רתמת הגוף המלא משמשת כרכיב במערכות ריסון כדי למנוע מהמשתמש להגיע לסכנת נפילה. מערכות ריסון כוללות לרוב רתמת גוף מלא וחבל ביטחון או כבל ריסון. רכיבי התחברות: עליון, אחורי, קדמי, אגן הירכיים. <i>חוזק העיגון:</i> העיגון הנבחר חייב לעמוד בעומסים של לפחות 12 kN (2 698 lbf). כאשר sdraynal כולל כל חומר טקסטיל או אלמנטים טקסטיל שרוך, למשל. סיבים סיבים חבלים או חגורה משמשים. כאשר sdraynal עשוי כולו מרכיבים מתכתיים משמשים, מעגן חייב להחזיק עומסים של לפחות 12 kN (2 698 lbf).</p>

1.2 **תקנים:** הרתמות הכלולות במדריך זה עומדות בתקן/ים המפורטים בכריכה הקדמית של מדריך זה. אם מוצר זה נמכר בשנית מחוץ למדינת היעד המקורית, המוכר חייב לספק הוראות אלו בשפת המדינה שבה ייעשה שימוש במוצר.

1.3 **הכשרה:** המשתמש והרוכש ציוד זה אחראים לוודא שהם מבינים הוראות אלה, מיומנים בטיפול ובשימוש הנכון בו, מכירים את מאפייני התפעול שלו, מגבלות היישום וההשלכות של שימוש לא נכון בו.

1.4 **הגבלות:** יש לקחת בחשבון תמיד את הגבלות השימוש הבאות לפני השימוש במוצר:

- **קיבולת:** רתמת הגוף המלא נועדה לשימוש על ידי אנשים במשקל משולב (ביגוד, כלים וכו') של לא יותר מאשר 140 ק"ג (309 lb). יש לוודא כי כל הרכיבים במערכת שלך הנם בעלי דירוג קיבולת מתאים ליישומך.
- **נפילה חופשית:** מערכת מעצר ליפול יכולה לאנוח ספיגת אלמנטים או פונקציות כדי להבטיח כי ההשפעה כוחות על גופו של המשתמש במהלך מעצר של נפילה חופשית מוגבלים למקסימום של 6 kN. מערכות ריסון חייבות להיות מעוצבות כך שלא תתאפשר נפילה חופשית אנכית. מערכות מיקום בעבודה חייבות להיות מעוצבות כך שניפילה חופשית מוגבלת ל-0.6 מ' (2 רגל) או פחות. מערכות להרכבת כוח אדם חייבות להיות מעוצבות כך שלא תתאפשר נפילה חופשית אנכית. מערכות חילוץ חייבות להיות מעוצבות כך שלא תתאפשר נפילה חופשית אנכית. למידע נוסף, עיין בהוראות של יצרן תת-המערכת.
- **מרווח נפילה פנוי:** אזור 3 מציג את הרכיבים העיקריים של בלימת הנפילה. חייב להיות מרווח נפילה (FC) לבלימת נפילה לפני שהמשתמש פוגע בקרקע או במכשול אחר. גודל המרווח מושפע מכמה גורמים, כולל: (א) אורך החבל, (ב) מרחק תאוצת החבל או מרחק בלימה מקסימלי של הכבל הנגלל, (ג) מתיחת החבל וטבעת D/אורך ושקיעת המחבר (לרוב גורם ביטחון של 0.5 מ'). עיין בהוראות המצורפות לחבל הביטחון או למכשיר הגלילה שלך לפרטים הנוגעים לחישוב מרווח הנפילה.
- **נפילות נדנד:** נפילת נדנד מתרחשת כאשר נקודת העיגון אינה מצויה הישר מעל הנקודה שבה מתרחשת הנפילה (ראה אזור 4). בנפילת נדנד, כוח התנגשות בחפצים עלול לגרום פציעה חמורה או מוות. כדי לצמצם ככל האפשר את נפילות הנדנד, יש לעבוד הישר מתחת לנקודת העיגון. יש להימנע מנפילות נדנד כאשר היא עלולה לגרום פציעות. כאשר נעשה שימוש במכשיר גלילה או בתת-מערכות אחרות בעלות אורך משתנה, נפילות הנדנד יגדילו באופן ניכר את המרווח הפנוי הדרוש.
- **תלייה ממושכת וחבלת תלייה:** רתמת הגוף המלא איננה מיועדת ליישומי תלייה ממושכים. תלייה ממושכת עלולה לגרום לחבלת תלייה (תסמונת אורתוסטטית). אם המשתמש חייב להישאר תלוי לאורך פרק זמן ממושך, מומלץ להשתמש בצורה כלשהי של מושב. 3M ממליצה על לוח ישיבה, מושב עבודה תלוי, מנשא ישיבה או "כיסא טיפוס לתורן". למידע נוסף על פריטים אלה, פנה ל-3M.
- **גורמי סיכון סביבתיים:** בשימוש בציוד זה באזורים שבהם קיימים גורמי סיכון סביבתיים, ייתכן שידרשו אמצעי זהירות נוספים למניעת פגיעה במשתמש או נזק לציוד. בין גורמי הסיכון נכללים, ללא הגבלה, חום, כימיקלים, סביבות חומציות, קווי מתח גבוה, גזים, מכונות נעות וחפצים חדים.
- **רתמות לסביבות טמפרטורה גבוהה:** רתמות עם רשת Kevlar מיועדות לשימוש בסביבות של טמפרטורה גבוהה, עם הגבלות: רשתות Kevlar מתחילות להיחרך בין 800° ל-900° פרנהייט. רשתות Kevlar יכולות לעמוד בחשיפת מגע מוגבלת לטמפרטורה של עד 1,000° F. רצועות פוליאסטר מאבדות מכוחן בין 300° F ל-400° F. לציפוי PVC על ציוד נקודת המסה של 350° F בערך.

על אף שציוד מצופה PVC ואבץ מפגין התנגדות מצויינת לאיכול בתנאים אטמוספיריים וכימיים של חומציות או בסיסיות, ייתכן שידרשו בדיקות תכופות. התייעץ עם 3M אם יש לך ספקות לגבי השימוש בציוד זה בסביבות מסוכנות.

2.0 שימוש במערכת

2.1 תוכנית חילוץ: בשימוש בציוד זה ובתת מערכות/נקשרות, על המעביד להכין תוכנית חילוץ ואמצעים זמינים ליישמה, וליידע את המשתמשים¹, את הגורמים המורשים², ואת המחלצים לגביה³.

2.2 תדירות הבדיקות: רתמת הגוף המלא יבדקו על ידי המשתמש לפני כל שימוש, ועל ידי אדם מוסמך, מלבד המשתמש⁴, בפרקי זמן של לא יותר משנה אחת⁵. הליכי הבדיקה מתוארים במדריך הוראות למשתמש במדריך "יומן בדיקה ותחזוקה". התוצאות של כל בדיקה המבוצעת על ידי אדם מוסמך יתועדו בעותקים של "יומן הבדיקה והתחזוקה" או שיונה אחריהן מעקב במערכת זיהוי על פי תדירות רדיו (ראה "בדיקה").

היכן שנדרש על ידי 3M, בשל המורכבות או החדשנות שבציוד, או היכן שידע מהותי נחוץ לצורך פירוק, הרכבה מחדש או הערכת הציוד, בדיקות תקופתיות ינוהלו אך ורק על ידי 3M או אנשים או ארגונים המאושרים על ידי 3M.

2.3 תאימות הרכיבים: ציוד של 3M מיועד לשימוש עם רכיבים ותת-מערכות המאושרים על-ידי 3M בלבד. השימוש ברכיבים ותת-מערכות לא מאושרים כחלקי חילוף עלול לסכן את תאימות הציוד ולהשפיע על בטיחות המערכת כולה ועל אמינותה.

2.4 תאימות המחברים: המחברים נחשבים לתואמים לאלמנטים המתחברים כאשר הם מיועדים לפעול ביחד באופן שבו מידותיהם וצורתיהם אינם גורמים למנגנוני השער שלהם להיפתח בטעות, ללא תלות בכיוון שאליו הם פונים. צור קשר עם 3M אם יהיו לך שאלות כלשהן בנוגע לתאימות. מחברים (וויס, קרבינות וטבעות D) חייבים להיות מסוגלים לשאת לפחות 22 kN (4946 lbf). המחברים מוכרחים להיות תואמים לעיגון או לרכיבי המערכת האחרים. אין להשתמש בציוד שאינו תואם. מחברים שאינם תואמים עלולים להתנתק באופן בלתי מכוון (ראה אזור 5). הגודל, הצורה והחוזק של המחברים חייבים להיות תואמים. אם האלמנט המתחבר שאליו מחובר קרס קפיצי (כמוצג) או קרבינה קטן מדי או בעל צורה חריגה, עלול להיווצר מצב שבו האלמנט המתחבר מפעיל כוח על שער הקרס הקפיצי או הקרבינה. כוח זה עלול לגרום לפתיחת השער, ובכך לאפשר לקרס הקפיצי או לקרבינה להתנתק מנקודת החיבור. נדרש שימוש בקרסים קפיציים ננעלים ובטבעות טיפוס (קרבינות).

2.5 יצירת חיבורים: השתמש רק בקרסים קפיציים וקרבינות בעלי נעילה עצמית עם ציוד זה. השתמש אך ורק במחברים המתאימים לכל יישום. ודא שכל החיבורים תואמים בגודלם, בצורתם ובחוזקם. אין להשתמש בציוד שאינו תואם. ודא שכל המחברים סגורים ונעולים היטב.

מחברי 3M (קרסים קפיציים וקרבינות) מיועדים לשימוש רק לפי המפרט המופיע בהוראות למשתמש של כל מוצר. לחיבורים שגויים ראה אזור 6. אין לחבר קרסים קפיציים וקרבינות של 3M:

א. לטבעת "D" שאליה כבר צמוד מחבר אחר.

ב. באופן שיוביל לעומס על השער.

ג. בהפעלת שווא, כאשר האלמנטים הבולטים מהקרס הקפיצי או מהקרבינה נתפסים בעיגון, וללא אישור חזותי, נראה שהם תפוסים באופן מלא בנקודת העיגון.

ד. האחד לשני.

ה. ישירות לרשת, לחבל האבטחה או לחלק הקשירה (למעט אם הוראות היצרן מתירות חיבור כזה באופן ספציפי, הן עבור חבל הבטיחות והן עבור המחבר).

ו. לכל עצם שצורתו או ממדיו ימנעו מהקרס הקפיצי או מהקרבינה להיסגר ולהינעל, או שעלולה להתרחש התגלגלות החוצה (ROLL-OUT).

ז. באופן שאינו מאפשר למחבר להתיישר כהלכה בזמן שהוא תחת עומס.

2.6 תת-מערכות לקשירה: תת מערכות לקשירה (קו חיים נגלל, חבל ביטחון, קו חיים ותפסן, שרוול כבל וכו') חייבות להתאים לפעולה שלך (ראה חלק 1.1). למידע נוסף, עיין בהוראות של יצרן תת-המערכת. לחלק מהרתמות יש נקודת קשירה מולולאת רשת. אין להשתמש בקרס קפיצי כדי להתחבר ללולאות רשת. השתמש בקרבינה ננעלת אוטומטית להתחבר ללולאת רשת. ודא שהקרבינה אינה יכולה ליצור עומס נגדי לשער (עומס נגד השער במקום לאורך הציר הראשי של הקרבינה). חלק מחבלי הביטחון מעוצבים כדי להיצמד ללולאת הרשת ולספק קשר מתאים. חבלי הביטחון עשויים להיות תפורים ישירות ללולאת הרשת וכך ליצור קשר קבוע. אל תיצור קשרים מרובים בלולאת רשת אחת, אלא אם כן בהצמדת שני חבלי ביטחון ללולאת רשת בגודל המתאים. להצמדת חבל הביטחון ללולאת הרשת (אזור 7):

א) העבר את לולאת הרשת של חבל הביטחון דרך לולאת הרשת או טבעת ה-D שעל הרתמה. ב) העבר את הקצה המתאים של חבל הביטחון דרך לולאת הרשת של חבל הביטחון. ג) משוך את חבל הביטחון דרך לולאת הרשת המחוברת כדי לאבטח.

2.7 החניית חבל הביטחון: אזור 8 מדגים את החניית חבל הביטחון. אבזם החניית חבל הביטחון נועד לחבר את הקצה החופשי של החבל או מתקן הגלילה המורכב על הרתמה כשאינו מחובר לנקודת חיבור עיגון למטרות הגנה מנפילה. אין להשתמש לעולם באבזמי החניית חבל הביטחון כרכיב אבזם להגנה מנפילה על הרתמה לצורך חיבור חבל הביטחון או מכשיר הגלילה (א).

כשזו אינה מחוברת לנקודת חיבור עיגון, רגל חבל הביטחון שאינה מחוברת חייבת לחנות בצורה נכונה ברתמה (ב) או להיות מאובטחת בידו של המשתמש כמו ביישומי קשירה 100% (Tie-Off) (ג). רגלי חבל הביטחון הנתלים באופן חופשי (ד) עלולות להפיל את המשתמש או להיתפס באובייקטים בסביבה ולגרום לנפילה.

הליפני ניפמי תישיא הנגה תכרעמ ידי לע נגומ דוועב הבוגב תיווליעפ עצבמה מדיא: **שמתשמ 1**

הליפני תנכסל פושח יהיה מדיא ותוא ובש מוקמב תודובע עוציבל דיבעמה ידי לע רמסוהש מדיא: **השרומ מדיא 2**

פוליה תכרעמ תלעפה רות פוליהל עויס קפסל הרטמב סילעופה, הלצהה אשומ פניאש פישנא וא מדיא: **ליצמ 3**

ידי מדיימ נקוית ידעב טוקנל תוכמס ול שישו, מדיבוע פינכסמה וא פינכסומ, פיירטינס פניאש הדובעה יאנת וא הביבסב פימייקו פייופצ פינכסו תוהזל לגוסמה מדיא: **רמסומ מדיא 4**

תוקידבה תורידת תא ריבגהל רוצ היהיש נכתי (ב"ויכו רשוממ שומיש, השק הביבס) פינצוק הדובע יאנתב: **תוקידבה תורידת 5**

3.0 שימוש ברמתה

3.1 לפני כל שימוש בציוד זה, בדוק אותו בהתאם ל-"יומן הבדיקה והתחזוקה" (טבלה 1).

3.2 תכנן את המערכת שלך לפני השימוש. קח בחשבון את כל הגורמים שישיפיעו על הבטיחות שלך במהלך השימוש בציוד. הרשימה להלן כוללת נקודות חשובות שיש לשקול כשמכנינים את המערכת:

- **עיון:** בחר עיון המסוגל לשאת את דרישות העומס הסטטי של יישום הגנת הנפילות המיועד (ראה סעיף 1.1). מיקום העיון צריך לקחת בחשבון נפילה חופשית, מרווח נפילה, נפילת דנדוד והגבלות סביבתיות המתוארות בסעיף 1.4.
- **קצוות חדים:** יש להימנע מלעבוד במקומות שבהם רכיבים של המערכת יוצרים מגע או משתפשים בחפצים חדים לא מוגנים.
- **אחרי נפילה:** יש להסיר משירות ולהשמיד רכיבים שעמדו בעומס של עצירת הנפילה.
- **חילוץ:** המעסיק חייב להכין תוכנית חילוץ במסגרת השימוש בציוד זה על המעסיק להיות מסוגל לבצע את חילוץ במהירות ובביטחה.
- **רתמת חילוץ:** רתמות חילוץ (EN1497) מיועדות לשימוש במהלך פעילויות עבודה רגילות. כדי להבטיח התאמה של גודל הרתמה לנוחות מרבית בזמן התלייה, לפני השימוש הראשון באביזרי קשירה לחילוץ המשתמש חייב לבצע בדיקת תלייה בתנאים בטיחותיים.
- **מיקום העבודה:** בחן תמיד אם יש צורך להשתמש במערכת אישית להגנה מפני נפילות (למשל, מערכת בלימת נפילה) בעת השימוש במערכת מיקום עבודה. השתמש תמיד בנקודת עיון הממוקמת בגובה המותניים או מעל.

3.3 **אבזמים:** רתמות גוף מלא מצוידות באבזמים שונים לחיבור והתאמה של רצועות הרגליים ורצועות החזה. לרצועות הגוף של הרתמה יש אבזם לשון. ראה תרשים 1 לסוגי האבזמים ברמתה שלך. תרשים 9 מדגים את התפקוד של כל אחד מהאבזמים הבאים:

1. אבזמי חיבור מהיר:

- א. להידוק אבזם חיבור מהיר, הכנס את הלשונית אל התושב עד הישמע הקליק.
- ב. להתאמת רצועת הרשת המתחברת: משוך את רצועת הרשת קדימה או אחורי דרך חריץ האבזם להידוק או שחרור.
- ג. לשחרור אבזם חיבור מהיר: לחץ על מנופי הנעילה בשני צידי התושב. משוך את הלשונית מחוץ לתושב.

2. אבזמי מעבר:

- א. החדר את האבזם הזכרי דרך החריץ של האבזם הנקבי.
- ב. הדק את הרצועה החופשית כך שהאבזם הזכרי מתוח כנגד האבזם הנקבי. אבטח את הרצועה החופשית בשומר הרצועה.

3.4 **התאמות:** רתמות מצוידות בזוג מתאמי גוף להתאמת רצועות הכתפיים. תרשים 10 מדגים את התאמת מתאמי הגוף:

1. מתאמי גוף מצנח: לתיאום רצועות הכתפיים עם מתאמי גוף מצנח:

- א. משוך ברצועה החופשית להידוק רצועות הכתפיים. לשחרור רצועת הכתפיים, משוך את הרצועה החופשית ואז אחורה דרך מתאם המצנח.
- ב. כאשר היא מתואמת כראוי, אבטח את הרצועה בשומר הרצועה.

אם קיימת ניהול קצה הוולקרו (ראה איור 11), גלגל את רצועת הרשת החופשית עד שהיא צמודה (A), חבר את פסי הוולקרו בחזרה מעל הרצועה והדק את הפסים (B). יש לוודא שהגליל צמוד ומוצב הרצועה נעקר קרוב לגליל (C).

3.5 **לבישה והתאמה של רתמת הגוף המלא:** תרשים 13 מדגים לבישה והתאמה של רתמת הגוף המלא. לפני כל שימוש, בדוק את הרתמה על פי הרשימה שנמצאת ב-"יומן הבדיקה והתחזוקה" (טבלה 1). ללבישת והתאמת הרתמה:

ההליכים לחגירת הרצועות והתאמתן על גבי הרתמה משתנים לפי מודל הרתמה. לפרטים נוספים ראו סעיפים 3.3 עד 3.4 ותרשימים 9 עד 10.

1. הרם והחזק את הרתמה בטבעת ה-D העליונה האחורית. ודא שהרצועות אינן מסובבות.
2. תפוס את רצועות הכתפיים והלבש את הרתמה על זרוע אחת. טבעת ה-D העליונה ממוקמת בצידי האחורי. ודא שהרצועות אינן מסובבות ותלויות בחופשיות. הכנס את זרועך החופשית לתוך הרתמה ומקם את רצועות הכתפיים על גבי הכתפיים שלך. רצועת החזה ואבזם החזה ממוקמים בחזית כאשר הם מלובשים כראוי.
3. שלח את היד בין הרגליים ותפוס את רצועת הרגל שבצד הימני. הבא את הרצועה למעלה בין רגליך; חגור לאבזם המתחבר שעל המותן הימני שלך, והתאם את רצועת הרגל להתאמה נוחה ועוטפת (ראה סעיף 3.3 לתפעול האבזם). כאשר היא מתואמת כראוי, תחוב את הקצה המשוחרר של רצועת הרגל מתחת לשומר הרצועות.
4. חזור על תהליך זה כדי לחגור ולהתאים את רצועת הרגל השמאלית.
5. התאם וחגור את חגורת המותניים באבזם לשון אם קיימת. (ראה חלק 3.3 לתפעול אבזם הלשון).
6. חגור והתאם את רצועת החזה (ראה סעיף 3.3 לתפעול האבזם). רצועת החזה צריכה להיות במרחק של 15 ס"מ (6 אינץ') מתחת לקצה הכתפיים שלך. כאשר היא מתואמת כראוי, תחוב את הקצה המשוחרר של רצועת הרגל מתחת לשומר הרצועות.
6. התאם את רצועות הכתפיים לאחיזה עוטפת באמצעות מתאמי הגוף (ראה סעיף 3.4 לתפעול מתאמי הגוף). הצדדים השמאלי והימני של רצועות הכתפיים צריכים להיות מתואמים לאורך דומה, ורצועת החזה צריכה להיות ממורכזת בחלק התחתון של החזה שלך, 15 ס"מ (6 אינץ') מתחת לכתפיים שלך. טבעת ה-D האחורית העליונה צריכה להיות ממורכזת בין השכמות שלך. טבעת ה-D האחורית שבחזית, אם קיימת, צריכה להיות ממוקמת לרוחב בטווח של 51 מ"מ (2 אינץ') מהקו המרכזי האנכי של הרתמה.

בדוק באופן קבוע רכיבי חיבור וכונן במהלך השימוש.

3.6 **שימוש בטבעת ה-D או ברכיב מתחבר למניעת נפילה:** נקודות עוגן לנסיגה בסתיו מסומנות באותיות "A". יישומי מניעת נפילה מחברים לטבעת ה-D העליונה או רכיב ההתחברות שעל גבך, בין השכמות. טבעות ה-D הצדדיות, אם קיימות, הן לצורך יישומי מיקום או ריסון בלבד. אבזמי כתפיים הם לצורך יישומי חילוץ או החזרה בלבד. טבעת ה-D האחורית שבחזית מאחור היא לצורך טיפוס על סולם או מיקום. טבעות ה-D על מושב התליה הן לצורך יישומי תלייה או מיקום בלבד. (ראה סעיף 1.1).

3.7 **יצירת חיבורים:** כשמשתמשים בקרס כדי לחבר את העיון או בעת חיבור רכיבי המערכת יחד, ודא שלא יכולה להיווצר התגלגלות החוצה. התגלגלות נוצר כאשר הפרעה בין הקרס והמתאם גורם לשער הקרס להיפתח באופן לא מכוון ולשחרר. יש להשתמש בקרסים קפיציים בעלי נעילה עצמית ובקרבינות כדי להקטין את האפשרות של התגלגלות החוצה. אין להשתמש בקרסים או מחברים שאינם נסגרים לחלוטין מעל אובייקט החיבור. למידע נוסף על יצירת חיבורים, עיין בהוראות של יצרן תת-המערכת.

3.8 **חיבור רכיבי מערכת:** לאחר התאמת הרתמה, המשתמש יכול כעת לחבר רכיבי מערכת אחרים. עקוב אחר ההנחיות בחלק 2 והוראות היצרן הכלולות עם הרכיב.

4.0 בדיקות

- 4.1 תדירות הבדיקות:** יש לבדוק את רמת הגוף המלא במרווחי הזמן המוגדרים בסעיף 2.2. הליכי הבדיקה מתוארים ב-"יומן הבדיקות והתחזוקה" (טבלה 3).
- 4.2 פגמים:** אם מתגלים פגמים בבדיקה, יש להוציא את ההתקן משימוש ולהשמיד אותו.
- 4.3 אורך חיי המוצר:** אורך החיים התפקודי של הרתמות נקבע על פי תנאי העבודה והתחזוקה. אורך חיי המוצר עשוי לנוע בין שנה במקרה של שימוש מאומץ בתנאים קיצוניים, עד 10 שנים במקרה של שימוש קל בתנאים מתונים. כל עוד המוצר עומד בקריטריוני הבדיקה ניתן להמשיך להשתמש בו עד למקסימום של 10 שנים.

5.0 תחזוקה, טיפולים, איחסון.

אין לנקות או לחטא את המוצר בשיטה שונה מזו המתוארת בהוראות הניקוי שלהלן. שיטות אחרות עשויות להשפיע לרעה על המוצר או המשתמש.

5.1 ניקוי: יש לנקות את רתמות הגוף המלאות של 3M בהתאם להוראות של 3M. כדי לנקות את הרתמה, יש להשתמש בחומר ניקוי עדין שלא מכיל חומרי הלבנה ואז לשטוף. לאחר מכן יש לתלות את הרתמה לייבוש באוויר. המים המשמשים לניקוי והטמפרטורות בזמן הייבוש באוויר לא יעלו על 54.4°C (130°F). למידע נוסף, עיין בעלון הטכני באתר שלנו: <http://www.3M.com/FallProtection/WebCleaning>

בכל שאלה בנושא נהלי ניקיון, אנא צור קשר עם השירותים הטכניים של 3M.

5.2 שימוש: רתמות גוף מלאות אינן ניתנות לתיקון. אם הרתמה חוותה כוח נפילה או שביקורת מגלה מצב לא בטוח או תקול, יש להוציא מיד את הרתמה משימוש ולהשמידה.

5.3 אחסון והובלה: יש לבצע אחסון והובלה של רתמת הגוף המלא בסביבה קרירה, יבשה ונקייה, הרחק מאור שמש ישיר. הימנע מאזורים בהם עשויים להימצא אדי כימיקלים. בדוק היטב את הרתמה לאחר אחסון ממושך.

6.0 התוויה

תרשים 14 מדגים את מדבקות המוצר והמיקום שלהם על רתמת הגוף המלא. כל התוויות חייבות להימצא במקום ולהיות קריאות במלואן.

המידע המסופק על כל תווית הוא כדלהלן:

1	(A) נקודת עוגן למעצר בסתיו, מסומנת באות הון "A" (B) תווית מיקום
2	(A) יומן בדיקה (B) מספר סידורי (C) אות ראשונה (D) תאריך (E) של יומן הבדיקה. אין להסיר תווית זו.
3	(A) תווית מידע למשתמש
4	(A) מספר סידורי (B) חודש הייצור (C) שנת הייצור (D) מספר אצווה (E) מספר דגם. (F) תקן אירופי (G) קיבולת (H) מידה (I) ראה הוראות (J) סימן CE (K) מספר הגוף המידוע המבצע התאמה לסוג (L) גודל חגורת גוף

Prije korištenja uprtača za cijelo tijelo pročitajte, usvojite i pridržavajte se svih sigurnosnih informacija sadržanih u ovim uputama. NEPRIDRŽAVANJE UPUTA MOGLA BI DOVESTI DO OZBILJNIH OZLJEDA ILI SMRTI.

Upute se moraju dostaviti korisniku ove opreme. Spremite upute za buduće korištenje.

Namjena opreme:

Uprtači za cijelo tijelo koriste se kao dio kompletnog osobnog sustava za zaštitu od pada.

Korištenje u bilo koje druge svrhe, uključujući, bez ograničenja, rukovanje materijalima, rekreacijske i aktivnosti vezane uz sport te druge aktivnosti koje nisu opisane u ovim Korisničkim uputama, nije podržano od tvrtke 3M i moglo bi dovesti do ozbiljnih ozljeda ili smrti.

Ovaj je uređaj namijenjen isključivo za obavljanje radnih zadataka od strane obučениh korisnika.

UPOZORENJE

Uprtači za cijelo tijelo dijelom su osobnog sustava za zaštitu od pada. Očekuje se da svi korisnici budu u potpunosti obučeni za sigurno postavljanje i rukovanje svojim osobnim sustavom za zaštitu od pada. **Neodgovarajuće korištenje ovog uređaja moglo bi dovesti do ozbiljnih ozljeda ili smrti.** Upute za odgovarajući odabir, rukovanje, postavljanje, održavanje i servisiranje potražite u ovim Korisničkim uputama i svim drugim preporukama proizvođača, kod svog nadređenog djelatnika ili se obratite Odjelu za tehničke usluge tvrtke 3M.

- **U svrhu smanjenja opasnosti vezanih uz rad s uprtačem za cijelo tijelo koje bi, ukoliko ne budu izbjegnute, mogle dovesti do ozbiljnih ozljeda ili smrti:**
 - Pregledajte uređaj prije svakog korištenja, a najmanje jednom godišnje te u slučaju bilo kakvog pada. Pregled obavite kako je dano u Korisničkim uputama.
 - Ukoliko pregledom ustanovite nesigurno stanje ili oštećenje, povucite uređaj iz uporabe i uništite ga.
 - Svaki uređaj koji je bio izložen padu ili udarnoj sili, potrebno je odmah povući iz uporabe i uništiti.
 - Vodite računa o ispravnom nošenju, odgovarajućem podešavanju veličine i pravilnom prilagođavanju uprtača.
 - Vodite računa o sigurnosti svih povezanih podsustava (primjerice užadi) i spriječite sve opasnosti, uključujući, bez ograničenja, zaplitanje s drugim djelatnicima, samozaplitanje i zaplitanje s pokretnim strojevima i objektima u okruženju.
 - Vodite računa da sustavi/podsustavi za zaštitu od pada, sklopljeni od komponenti različitih proizvođača, budu međusobno kompatibilni i zadovoljavaju zahtjeve primjenjivih standarda, uključujući ANZI Z359, kao i odredbe drugih primjenjivih propisa, standarda i zahtjeva za zaštitu od pada. Prije uporabe ovih sustava, uvijek se konzultirajte s kompetentnom i kvalificiranom osobom.
- **U svrhu smanjenja opasnosti vezanih uz rad na visini koje bi, ukoliko ne budu izbjegnute, mogle dovesti do ozbiljnih ozljeda ili smrti:**
 - Vodite računa da su vaše zdravstveno stanje i tjelesna kondicija na razini koja omogućuje sigurno podnošenje svih sila vezanih uz rad na visini. Za sva pitanja vezana uz vašu sposobnost za korištenje ove opreme, obratite se svom liječniku.
 - Nikad ne premašujte dopušteni kapacitet svoje opreme za zaštitu od pada.
 - Nikad ne premašujte maksimalnu razdaljinu slobodnog pada svoje opreme za zaštitu od pada.
 - Ne koristite bilo kakvu opremu za zaštitu od pada koja otkaže prilikom pregleda prije uporabe ili bilo kojeg drugog pregled niti kada imate nedoumice u pogledu načina korištenja ili prikladnosti opreme za konkretnu primjenu. Za sva pitanja obratite se Odjelu za tehničke usluge tvrtke 3M.
 - Pojedine kombinacije podsustava i komponenata mogu ometati korištenje ove opreme. Koristite samo kompatibilne spone. Konzultirajte se s tvrtkom 3M prije korištenja opreme u kombinaciji s komponentama i podsustavima koji se razlikuju od onih opisanih u ovim Korisničkim uputama.
 - Poduzmite dodatne mjere opreza prilikom rada u blizini pokretnih strojeva (primjerice nadgrađa naftne platforme), električne opasnosti, ekstremnih temperatura, kemijskih opasnosti, eksplozivnih ili otrovnih plinova, oštrih ivica ili ispod tereta koji bi mogao pasti na vas ili na vašu opremu za zaštitu od pada.
 - Za rad u okruženjima s visokim temperaturama koristite Arc Flash ili Hot Works uređaje.
 - Izbjegavajte površine i objekte koji bi mogli ozlijediti korisnika ili oštetiti opremu.
 - Prilikom rada na visini, vodite računa o odgovarajućem odstojanju za pad.
 - Nikada ne pravite izmjene i preinake svoje opreme za zaštitu od pada. Opravke opreme može obavljati isključivo tvrtka 3M odnosno tvrtke koje za to imaju pismeno dopuštenje tvrtke 3M.
 - Prije korištenja opreme za zaštitu od pada, provjerite je li donesen odgovarajući plan spašavanja koji omogućuje brzo spašavanje u slučaju pada.
 - U slučaju pada, odmah zatražite liječničku pomoć za djelatnika koji je pao.
 - Ne koristite pojas za tijelo u primjenama za ublažavanje pada. Koristite isključivo uprtač za cijelo tijelo.
 - Minimizirajte padove s klaćenjem tako što ćete radove obavljati izravno ispod uporišne točke ili što bliže tom položaju.
 - Tijekom obuke za korištenje ove opreme, obvezna je uporaba sekundarnog sustava za zaštitu od pada na način da vježbenik ne bude izložen nepredviđenim opasnostima od pada.
 - Uvijek nosite odgovarajuću osobnu zaštitnu opremu prilikom postavljanja, korištenja ili inspekcije uređaja/sustava.

Prije korištenja ove opreme, zabilježite identifikacijske podatke proizvoda s identifikacijske naljepnice u "Dnevniku inspekcije i održavanja" na stražnjoj strani ovog priručnika.

Uvijek upotrebljavajte najnoviju verziju uputa za uporabu za 3M proizvod. Najnovije verzije uputa za upotrebu potražite na web-mjestu tvrtke 3M ili se obratite njenoj tehničkoj usluzi.

OPIS

Slika 1 definira dostupne modele jednodijelnog pojasa 3M™ Protecta®. Modeli pojasa dostupni su u različitim kombinacijama sljedećih dodataka:

	Referencija na Sliku 1:	Opis:
Veličine	S, M/L, XL	Mali, Srednji/Veliki, Ekstra veliki
	Ⓑ	Veličina tijela remena u cm
Spojni elementi	①	Leđni "D" prsten
	②	Prsni "D" prsten
	③	"D" prstenovi za bokove
	④	Rameni dodaci
Kopče	⑤	Kopče za brzo spajanje
	⑥	Prolazne kopče
Prilagodnici	⑦	Padobranski podešivači za torzo
Jastučići	⑧	Jastučić za remen i bok
	⑨	Jastučić za noge
Dodatne karakteristike	⑩	Držači užeta sa samostalnim podešavanjem zaštite od popuštanja
	⑪	Upravljanje krajem mrežice. Vidjeti Sliku 11.
	⑫	Traka za spašavanje
	⑬	Oruđe petlja

SPECIFIKACIJE

Performanse:	
Maksimalna sila zaustavljanja pada:	6 kN (1 349 lbf)
Kapacitet:	140 kg (310 lb.)
Radna temperatura:	Minimalna: -35 °C (-31 °F) Maksimalna: +57 °C (135 °F)

Materijali	
Tkanina	Poliester - Vlačna sila 22 kN (4 946 lbf)
Poklopci podložaka	Mješavina najlona i poliestera
Prekrivač naljepnice	Mješavina najlona i poliestera
Konac	Poliesterski konac na poliesterskoj tkanini
"D" prstenovi	Čelična legura - Vlačna sila 22 kN (4 946 lbf)
Kopče za brzo spajanje	Čelik, nehrđajući čelik i čelična legura - 18 kN (4 047 lbf)
Prolazne kopče	Čelična legura - Vlačna sila 18 kN (4 047 lbf)
Padobranski podešivači za torzo	Čelična legura - Vlačna sila 18 kN (4 047 lbf)

1.0 PRIMJENE

1.1 SVRHA: Jednodijelni pojasevi koriste se kao komponente Sustava zaštitne opreme protiv pada s visine, izrađene za sprječavanje pada ili sigurno zaustavljanje pada (vidjeti Sliku 2). Jednodijelni pojasevi koriste se za sljedeće primjene:

(A)	Osobna zaštitna oprema protiv pada s visine (EN360, EN361, EN355): Sustavi za zaustavljanje pada obično sadrže jednodijelni pojas i spojni podsustav (apsorber energije, samouvlačivi uređaj, itd.). Najveća udarna sila ne smije prelaziti 6 kN (1 349 lbf). <i>Snaga sidrišta:</i> Odabrano sidrište mora imati kapacitet nosivosti od 12 kN (2 698 lbf) ili više.
(B)	Sigurnosno vezanje pri radu (EN358, EN813): Sustavi sigurnosnog vezanja pri radu obično uključuju jednodijelne pojaseve, povezuju uže i osobni sustav za zaustavljanje pada sa pridržavanjem s leđa. Za primjenu sigurnosnog vezanja pri radu, uvažite podsustav sigurnosnog vezanja pri radu (na primjer: uže, Y-uže, itd.) za donju stranu (u razini kuka) ili elemente sidrenja ugrađene u opasač ("D" -prsteni) Nikada nemojte koristiti ove spojne točke za zaustavljanje pada. <i>Spojni elementi:</i> Prednja strana, bok. <i>Snaga sidrišta:</i> Odabrano sidrište mora imati kapacitet nosivosti od 12 kN (2 698 lbf) ili više.
(C)	Penjanje (EN353-1): Jednodijelni pojas koristi se kao komponenta sustava penjanja za sprječavanje pada korisnika pri usponu na ljestve ili drugu konstrukciju za penjanje. Sustavi za penjanje obično sadrže jednodijelni pojas, vertikalni kabel ili šinu spojenu za konstrukciju i naglavak za penjanje. Za primjenu kod uspona na ljestve, za zaustavljanje pada s fiksnih ljestava može se koristiti oprema s frontalnim "D" prstenom za prsa. <i>Spojni elementi:</i> Prsni. <i>Snaga sidrišta:</i> Konstrukcija na koju se spaja sustav za penjanje mora imati nosivost usklađenu s dokumentacijom proizvođača sustava za penjanje.
(D)	Spašavanje (EN1496, EN1497, EN1498): Kao komponenta sustava spašavanja koristi se jednodijelni pojas. Sustavi spašavanja konfiguriraju se prema vrsti spašavanja. Za primjenu kod ograničenog pristupa (skućeni prostori), oprema s "D" prstenovima na ramenima može se koristiti za ulazak i izlazak iz skućenih prostora, kod kojih treba voditi računa o profilu radnika. <i>Spojni elementi:</i> Leđni, prsni, frontalni, rameni. <i>Snaga sidrišta:</i> Odabrano sidrište mora imati kapacitet nosivosti od 4,5 kN (1 012 lbf) ili više.
(E)	Kontrolirano spuštanje (EN341): Za primjenu kod kontroliranog spuštanja, za spajanje na sustav spuštanja ili evakuacije, može se koristiti oprema s jednostrukim "D" prstenom u razini prsa, jedan ili dva ugrađena frontalna "D" prstena ili par spojnika koje počinju ispod struka (poput sjednog pojasa). <i>Spojni elementi:</i> Prsni, leđni, frontalni. <i>Snaga sidrišta:</i> Odabrano sidrište moraju imati kapacitet nosivosti od 12 kN (2 698 lbf) ili više.
(F)	Sustav povezne užadi (EN354): Jednodijelni pojas koristi se kao komponenta sustava povezne užadi, kako bi se spriječila opasnost od pada korisnika. Sustavi povezne užadi obično uključuju jednodijelni pojas i povezno uže ili poveznu liniju. <i>Spojni elementi:</i> Prsni, leđni, frontalni, bočni. <i>Snaga sidrišta:</i> Odabrano sidrište mora imati kapacitet nosivosti najmanje 18 kN (4 047 lbf) kada vrpce uključuju bilo koji tekstilni materijal ili elemente tekstilne trake, na pr. koriste se konopi ili tkanine od sintetičkih vlakana. Kada se koriste trake u potpunosti od metalnih elemenata, sidrište mora podnijeti opterećenja od najmanje 12 kN (2 698 lbf).

1.2 STANDARDI: Oprema uključena u ovaj priručnik usklađena je sa standardom (standardima) koji su navedeni na naslovnici ovih uputa. Ukoliko se ovaj proizvod preprodaje izvan početne odredišne zemlje, preprodavač ove upute mora dati na jeziku zemlje u kojoj će se koristiti proizvod.

1.3 OBUKA: Korisnik i kupac ove opreme snose odgovornost upoznavanja s ovim uputama, prolaska obuke o pravilnom održavanju i korištenju, te poznavanja radnih karakteristika, ograničenja primjene i posljedica nepravilne primjene ove opreme.

1.4 OGRANIČENJA: Prije uporabe ove opreme uvijek vodite računa o sljedećim ograničenjima primjene:

- **KAPACITET:** Jednodijelni pojas namijenjen je osobama kombinirane težine (odjeća, alat itd.), od najviše 140 kg (309 lb.). Uvjerite se da su sve komponente Vašeg sustava stupnjevane do kapaciteta koji odgovara Vašoj primjeni.
- **SLOBODNI PAD:** Sustav za zaustavljanje pada uključuje elemente ili funkcije koje apsorbiraju energiju kako bi se osiguralo da su sile udarca na tijelo korisnika tijekom zaustavljanja slobodnog pada ograničene na najviše 6 kN (1 349 lbf). Sustavi užadi moraju se podesiti tako da se onemogući slobodni okomiti pad. Sustavi pozicioniranja pri radu moraju se podesiti tako da se slobodni pad ograniči na 60 cm (24 in.) ili manje. Sustavi užadi za povezivanje osoblja moraju se podesiti tako da se onemogući slobodni okomiti pad. Sustavi spašavanja moraju se podesiti tako da se onemogući slobodni okomiti pad. Za više informacija pogledati upute proizvođača podsustava.
- **SLOBODNI PROSTOR ZA PAD:** Slika 3 prikazuje komponente zaustavljanja pada. Za zaustavljanje pada mora postojati dostatan slobodni prostor (engl. Fall Clearance, FC), prije nego što korisnik udari o tlo ili drugu zapreku. Na slobodni prostor utječe niz faktora, uključujući: (A) duljinu užeta, (B) udaljenost deceleracije užeta ili najveća udaljenost za zaustavljanje pada (SRD), (C) duljina rastezanja pojasa i "D" prstena/spoja, kao i slijeganje (obično s faktorom sigurnosti od 0,5 m (1,6 ft.)). Pogledati upute priložene uz Vašu užad ili samouvlačivi uređaj, za pojedinosti o izračunu slobodnoga prostora za pad.
- **PADOVI S KLAČENJEM:** Pad s klačenjem događa se kada točka sidrišta nije točno iznad točke pada (vidjeti sliku 4.) Sila udarca o predmet kod pada s klačenjem može uzrokovati tešku ozljedu ili smrt. Minimizirajte padove s klačenjem tako što ćete radove obavljati izravno ispod točke sidrišta ili što bliže tom položaju. Nemojte dopustiti pad s klačenjem ako može doći do ozljede. Padovi s klačenjem značajno će povećati slobodan prostor koji je potreban kod uporabe samouvlačivog uređaja ili druge varijabilne duljine spajanja podsustava.
- **PRODULJENO VISENJE I TRAUMA USLIJED VISENJA:** Jednodijelni pojas nije namijenjen za primjenu kod produljenog visenja. Produljeno visenje može prouzročiti traumu uslijed visenja. Ako korisnik bude visio dulje vrijeme, preporuča se koristiti neki oblik potpore za sjedenje. 3M preporuča sjednu ploču, viseće radno sjedalo, sjedalo s naramenicama ili brodsku stolicu. Za više pojedinosti o ovim stavkama, obratite se tvrtki 3M.
- **EKOLOŠKE OPASNOSTI:** Primjena ove opreme u područjima ekološke opasnosti može zahtijevati dodatne mjere predostrožnosti za sprječavanje ozljeda korisnika ili oštećenja opreme. Opasnosti mogu uključiti, ali nisu ograničene na: visoku temperaturu, kemikalije, korozivna okružja, visokonaponske strujne vodove, plinove, premještanje strojeva i oštre bridove.
- **OPREMA ZA OKRUŽJA S VISOKOM TEMPERATUROM:** Oprema s Kevlar tkaninom namijenjena je primjeni u okružjima s visokom temperaturom, sa sljedećim ograničenjima: Kevlar tkanina počinje ugljeniti pri temperaturi od 425 - 480 °C (800 - 900 °F). Kevlar tkanina može izdržati ograničeno izlaganje temperaturama do 535 °C (1 000 °F). Poliesterska tkanina gubi jačinu pri temperaturi od 145 - 200 °C (300 - 400 °F). Točka topljenja PVC obloge na opremi iznosi približno 175 °C (350 °F).

Iako oprema obložena PVC-om i cinkom pokazuje odličnu otpornost na koroziju u kemijskim, kiselim, lužnatim i atmosferskim uvjetima, mogu biti potrebne učestale inspekcije. Ukoliko imate nedoumica oko primjene ove opreme u opasnim okruženjima, posavjetujte se s tvrtkom 3M.

2.0 PRIMJENA SUSTAVA

2.1 PLAN SPAŠAVANJA: Kod primjene ove opreme i podsustava spajanja, poslodavac mora imati plan spašavanja i priručna sredstva za provedbu i priopćavanje toga plana korisnicima¹, ovlaštenim osobama² i spasiocima³.

2.2 UČESTALOST INSPEKCIJA: Jednodijelni pojas korisnik i stručna osoba⁴ moraju pregledati prije svake uporabe, u najduljim vremenskim razmacima od jedne godine⁵. Postupci inspekcije opisani su u *Korisničkom priručniku "Dnevnik inspekcija i održavanja"*. Nalaze svake inspekcije stručne osobe treba zabilježiti u primjercima "Dnevnika inspekcija i održavanja" ili pratiti pomoću radijskog sustava za prepoznavanje učestalosti (vidjeti "Inspekcija").

Kada to zahtijeva tvrtka 3M, zbog složenosti ili inoviranja opreme ili gdje je potrebno neophodno znanje za rastavljanje, ponovno sastavljanje ili procjenu opreme, periodične preglede koristit će samo tvrtka 3M ili osobe ili organizacije koje je ovlastila tvrtka 3M.

2.3 USKLAĐENOST KOMPONENATA: Oprema tvrtke 3M namijenjena je uporabi isključivo s odobrenim komponentama i podsustavima tvrtke 3M. Nadomještanje ili zamjene opreme koje se vrše s neodobrenim komponentama mogu ugroziti usklađenost opreme i imati negativan učinak na sigurnost i pouzdanost cijelog sustava.

2.4 USKLAĐENOST SPOJEVA: Spojevi su usklađeni sa spojnim elementima kojima su namijenjeni tako da svojom veličinom i oblikom ne uzrokuju nehotično otvaranje mehanizama zaključavanja, neovisno o orijentaciji. U slučaju pitanja vezano uz usklađenost, obratite se tvrtki 3M. Spojevi (kuke, karabinjeri i "D" prstenovi) moraju imati nosivost od najmanje 22 kN (4 946 lbf). Spojevi moraju biti usklađeni sa sidrištem i drugim komponentama sustava. Nemojte koristiti opremu koja nije usklađena. Nesukladni spojevi mogu se nenamjerno otvoriti (Vidjeti Sliku 5). Spojevi moraju biti usklađeni veličinom, oblikom i snagom. Ako je spojni element na koji naliježe kvačica (prikazano) ili karabinjer premali ili nepravilnog oblika, može se dogoditi da spojni element primjenjuje silu na vrata kvačice ili karabinjera. Ta sila može uzrokovati otvaranje vrata, pa se kvačica ili karabinjer mogu odvojiti od spoja. Potrebne su samozatvarajuće kvačice i karabinjeri.

2.5 SPAJANJE: Uz ovu opremu koristiti samo samozatvarajuće kvačice i karabinjere. Koristiti samo one spojnice koje su namijenjene za određenu primjenu. Osigurati usklađenost svih spojeva po veličini, obliku i snazi. Nemojte koristiti opremu koja nije usklađena. Uvjerite se da su sve spojnice u potpunosti zatvorene i zaključane.

Spojnice tvrtke 3M (kvačice i karabinjeri) namijenjeni su za primjenu isključivo u skladu s navodima proizvođača svakog proizvoda. Vidjeti Sliku 6 za neispravne spojeve. Kvačice i karabinjeri tvrtke 3M ne smiju se spajati:

- A. Na "D" prsten za koji je spojen drugi spoj.
- B. Na način koji bi uzrokovao preopterećenje zatvarača.
- C. Kod lažnog spoja, kada dijelovi koji vire iz kvačice ili karabinjera zakvače sidrište, a bez vizualne provjere spoj djeluje kao da potpuno prijanja uz sidrišnu točku.
- D. Jedno za drugo.
- E. Izravno na tkaninu ili užu ili držač (osim ako prema uputama proizvođača za užu i spojnicu, izričito nije dopušten takav spoj).
- F. Na bilo koji predmet čiji oblik ili dimenzije onemogućavaju zatvaranje i blokadu kvačice ili karabinjera, ili može doći do odvrtnja.
- G. Na način koji ne dopušta pravilno nalijeganje spojnice pod opterećenjem.

2.6 SPOJNI PODSUSTAVI: Spojni podsustavi (samouvlačeće osiguravajuće užu, užu, hvataljka užeta i osiguravajućeg užeta, naglavak kabla, itd.) moraju biti usklađeni s Vašom primjenom (Vidjeti odjeljak 1.1). Za dodatne informacije pogledati upute proizvođača podsustava. Neki modeli opreme imaju točke spajanja s mrežnim omčama. Nemojte koristiti kvačice za spajanje na mrežne omče. Za spajanje na mrežnu omču koristiti samozatvarajući karabinjer. Uvjeriti se da karabinjer ne može premošćivati teret (teret na vrata umjesto duž glavne osi karabinjera). Određena užad namijenjena je provlačenju kroz mrežnu omču, za omogućavanje sukladnog spoja. Užad se može prišivati izravno na mrežnu omču, stvarajući trajan spoj. Nemojte stavljati više spojeva na istu mrežnu omču, ukoliko ne provlačite dva užeta kroz mrežnu omču odgovarajuće veličine. Za provlačenje užeta kroz mrežnu omču (Slika 7): A) Umetnite užu kroz mrežnu omču ili "D" prsten na opremi. B) Umetnite pripadajući kraj užeta kroz mrežnu omču. C) Učvrstite užu potezanjem kroz mrežnu omču.

2.7 PRIDRŽAČ UŽETA: Slika 8 prikazuje pridržać užeta. Pridržać užeta služi za učvršćivanje slobodnog kraja užeta ili samouvlačivog uređaja montiranog na pojas kada nije spojen na sidrišnu točku u svrhu zaštite od pada. Pridržaći užeta nikada se ne smiju koristiti kao element zaštite od pada za spajanje užeta ili samouvlačivog uređaja (A) na pojas.

Kada nije spojen na sidrišnu točku, slobodni krak užeta treba propisno učvrstiti za pojas (B) ili stabilizirati u ruci korisnika kao kod 100% odvojivih naprava (Tie-Off) (C). Slobodni krakovi užeta (D) mogu uzrokovati posrtanje korisnika ili zahvaćanje okolnih predmeta i završiti padom.

1 Korisnik: Osoba koja vrši aktivnosti na visini uz zaštitu osobnog sustava za zaštitu od pada.

2 Ovlaštena osoba: Osoba koju poslodavac angažira za obavljanje dužnosti na mjestu gdje će se osoba izložiti opasnosti od pada.

3 Spasilac: Osoba ili osobe koje nisu spašenik, u svojstvu pomoći pri spašavanju postupcima sustava za spašavanje.

4 Stručna osoba: Osoba koja je sposobna identificirati postojeće i predvidive opasnosti u okruženjima ili radnim uvjetima koji su nehigijenski, nesigurni ili opasni za zaposlenike i koja je ovlaštena poduzeti ažurne korektivne mjere za njihovo uklanjanje.

5 Učestalost inspekcija: Ekstremni uvjeti rada (nepovoljna vremenska okruženja, dulja primjena itd.), mogu iziskivati povećanje učestalost inspekcija stručne osobe.

3.0 UPORABA POJASA

- 3.1 PRIJE SVAKE UPORABE** ove opreme, pregledajte je u skladu sa "Dnevnikom inspekcija i održavanja (Tablica 1)".
- 3.2 PLANIRAJTE** svoj sustav prije uporabe. Uzmite u obzir sve čimbenike koji će tijekom uporabe ove opreme djelovati na Vašu sigurnost. Sljedeći popis navodi važne napomene za planiranje Vašeg sustava:
- **Sidrište:** Izaberite sidrište koje ima kapacitet za zadovoljavanje zahtjeva statičkog opterećenja za namjeravanu uporabu zaštite od pada (vidjeti Dio 1.1). Mjesto sidrišta mora biti usklađeno s ograničenjima slobodnog pada, prostora za pad, pada s klačenjem i ograničenjima okružja opisanim u Dijelu 1.4.
 - **Oštri bridovi:** Izbjegavajte rad na mjestima gdje komponente mogu doći u kontakt ili se trljati o nezaštićene oštre bridove.
 - **Nakon pada:** Komponente podvrgnute silama zaustavljanja pada moraju se izbaciti iz uporabe i uništiti.
 - **Spašavanje:** Pri uporabi ove opreme poslodavac mora imati plan spašavanja. Poslodavac mora imati sposobnost brzog i sigurnog spašavanja.
 - **Spasilački pojas:** Spasilački pojasevi (EN 1497) namijenjeni su za nošenje tijekom normalnih radnih aktivnosti. Prije korištenja spasilačkih spojnih elemenata po prvi put, korisnik bi trebao provesti test visenja u sigurnim uvjetima kako bi se osiguralo da je pojas odgovarajuće veličine i podešen za optimalnu udobnost tijekom visenja.
 - **Pozicioniranje za rad:** Uvijek razmotrite mogućnost upotrebe rezervnog osobnog sustava za zaštitu od pada (npr. sustav zaustavljanja pada) kada upotrebljavate sustav za pozicioniranje za rad. Uvijek koristite sidrenu točku postavljenu na ili iznad razine struka.
- 3.3 KOPČE:** Jednodijelni pojas opremljen je različitim kopčama za zatezanje i podešavanje nožnih i prsnih remena. Remenje jednodijelnog pojasa ima kopču s jezičcem. Vidjeti Sliku 1 za vrste kopči na Vašoj opremi. Slika 9 prikazuje rukovanje svakom od navedenih kopči:
- 1. Kopče za brzo spajanje:**
 - A. Za zatvaranje kopče za brzo spajanje, umetnite izdanak kopče u utor dok ne začujete klik.
 - B. Za podešavanje priloženog mrežnog remena: Za stezanje ili otpuštanje, povlačite mrežni remen prema naprijed i natrag kroz otvor kopče.
 - C. Za otvaranje kopče za brzo spajanje: Pritisnite poluge za zaključavanje s obje strane utora. Izvadite izdanak iz utora.
 - 2. Prolazne kopče:**
 - A. Umetnite mušku kopču kroz utor ženske kopče.
 - B. Zategnite slobodni remen tako da se muška kopča poravnava sa ženskom. Učvrstite slobodni remen u držaču.

3.4 PODEŠAVANJA: Pojasevi su opremljeni parom podešivača za podešavanje ramenog remenja. Slika 10 prikazuje podešavanje podešivača za torzo.

- 1. Padobranski podešivači za torzo:** Za podešavanje ramenih remena padobranskim podešivačima za torzo:
 - A. Povucite slobodni remen kako biste zategli rameni remen. Za otpuštanje ramenog remena, povucite slobodni remen, a zatim provucite remen kroz padobranski podešivač.
 - B. Nakon pravilnog podešavanja, učvrstite slobodni remen u držaču.

Ako je prisutno upravljanje čičak trakom (vidi Sliku 11), povucite slobodnu vrpcu na mreži dok ne bude čvrsto (A), spojite trake na čičak natrag preko remena i pričvrstite pruge (B). Osigurajte da je rolica tijesna i držač trake postavljen blizu rolne (C).

3.5 PRIPREMA ZA UPORABU I PODEŠAVANJE JEDNODIJELNOG POJASA: Slika 13 prikazuje pripremu za uporabu i podešavanje jednodijelnog pojasa. Prije svake uporabe pregledajte opremu prema kontrolnoj listi u "Dnevniku inspekcija i održavanja (Tablica 1)". Za pripremu i podešavanje pojasa:

Postupci zakopčavanja i podešavanja remenja Vašeg pojasa razlikovat će se prema modelu pojasa. Za više pojedinosti pogledati Odjeljke 3.3 do 3.4 i Slike 9 do 10.

1. Podignite i držite pojas za stražnji leđni "D" prsten. Uvjerite se da remenje nije presavijeno.
2. Uhvatite rameno remenje i navucite pojas na jednu ruku. Leđni "D" prsten nalazit će se na Vašim leđima. Uvjerite se da remenje nije zapetljano i da slobodno visi. Uvucite slobodnu ruku u pojas i stavite rameno remenje na ramena. Prsni remen i kopča nalazit će se sprijeda, ako se pravilno nosi.
3. Zahvatite između nogu i primite nožni remen na Vašoj desnoj strani. Povucite remen između nogu; zakopčajte u odgovarajuću kopču na desnom boku i podesite nožni remen tako da udobno prijanja (vidjeti Dio 3.3 za rad kopče). Kad se pravilno podesi, zatakните slobodan kraj nožnog remena ispod držača.
Ponovite postupak kako biste zakopčali i podesili lijevi nožni remen.
4. Ako postoji, podesite i zakopčajte pojasni remen kopčom s jezičcem. (vidjeti Dio 3.3 za rad kopče s jezičcem).
5. Zakopčajte i podesite prsni remen (vidjeti Dio 3.3 za rad kopče). Prsni remen mora biti 15 cm (6 in) ispod vrha ramena. Kad se pravilno podesi, zatakните slobodan kraj prsnog remena ispod držača.
6. Podesite rameno remenje za udobno prijanjanje pomoću podešivača za torzo (vidjeti Dio 3.4 za rad podešivača za torzo). Lijevu i desnu stranu ramenog remenja treba podesiti na istu duljinu, a prsni remen treba postaviti na sredinu donjeg prsišta, 15 cm (6 in) ispod ramena. Leđni "D" prsten treba staviti na sredinu između lopatica. Prednji "D" prsten, ako postoji, treba postaviti uzdužno unutar 5 cm (2 in) od okomice opreme.

Redovito provjeravajte elemente za pričvršćivanje i podešavanje tijekom uporabe.

- 3.6 UPORABA "D" PRSTENA ZA ZAUSTAVLJANJE PADA ILI SPOJNOG ELEMENTA:** Točke sidrenja za uhićenje pada označene su velikim slovom "A". Za primjenu za zaustavljanje pada, spojite za prednji "D" prsten ili spojni element na leđima, između lopatica, ili Prednji "D" prsten element na prsima. Bočni "D" prstenovi, ako ih ima, služe samo za postavljanje ili vezanje. Rameni spojevi primjenjuju se samo kod spašavanja ili izvlačenja. Prednji "D" prsten služi za uspon po ljestvama ili za pozicioniranje. "D" prstenovi na ovjesu sjedala služe samo za vješanje ili pozicioniranje. (Vidjeti Dio 1.1).
- 3.7 SPAJANJE:** Kod uporabe kuka za spajanje na sidrište ili kod uparivanja komponenata sustava, uvjerite se da neće doći do otvaranja spoja. Do otvaranja dolazi kada prepreka između kuke i naliježučice spojnice uzrokuje nehotečno otvaranje i otpuštanje vrata kuke. Kako bi se smanjila mogućnost otvaranja treba koristiti samozatvarajuće kuke i karabinjere. Ne koristiti kuke ni spojnice koje se ne mogu do kraja zatvoriti iznad spojne komponente. Za više informacija o spajanju pogledati upute proizvođača podsustava.
- 3.8 SPAJANJE KOMPONENATA SUSTAVA:** Nakon podešavanja pojasa, korisnik može spajati druge dijelove sustava. Postupiti prema smjernicama u Dijelu 2 i uputama proizvođača priloženima uz određenu komponentu.

4.0 INSPEKCIJA

- 4.1 UČESTALOST INSPEKCIJA:** Jednodijelni pojas treba pregledavati u intervalima koji su navedeni u Dijelu 2.2. Postupci inspekcije opisani su u "Dnevniku inspekcije i održavanja" (Tablica 1)
- 4.2 NEISPRAVNOSTI:** Ukoliko pregledom ustanovite oštećenje, odmah povucite uređaj iz uporabe i uništite ga.
- 4.3 UPORABNI VIJEK PROIZVODA:** Funkcionalni vijek pojasa određuje se u skladu s uvjetima rada i održavanja. Maksimalni vijek trajanja pojasa može varirati od 1 godine za intenzivnu uporabu u ekstremnim uvjetima do 10 godina za laganu uporabu u povoljnim uvjetima. Proizvod se može koristiti sve dok prolazi kriterije inspekcije do najviše 10 godina.

5.0 ODRŽAVANJE, SERVISIRANJE, SKLADIŠTENJE I PRIJEVOZ

Nemojte čistiti ili dezinficirati proizvod na bilo koji drugi način osim na način opisan u sljedećim uputama za čišćenje. Drugi načini mogu imati štetne učinke na proizvod ili korisnika.

- 5.1 ČIŠĆENJE:** 3M pojasevi za cijelo tijelo moraju se očistiti u skladu s uputama koje je dala tvrtka 3M. Kako biste očistili pojaseve, operite ih blagim deterdžentom bez izbjeljivača, a zatim isperite. Pojaseve nakon toga objesite da se osuše na zraku. Voda koja se upotrebljava za pranje i temperature sušenja na zraku nikada ne smiju prelaziti 130 °F (54,4 °C). Za više informacija pogledajte tehnički priručnik na našem web-mjestu: <http://www.3M.com/FallProtection/WebCleaning>

Za sva pitanja o postupcima čišćenja obratite se tehničkim službama tvrtke 3M.

- 5.2 SERVISIRANJE:** Uprtači za cijelo tijelo ne mogu se popravljati. Ako je uprtač bio izložen sili pada ili ako se inspekcijom utvrdi nesigurno stanje ili ima naznaka oštećenja užadi ili silaznih sila, uže treba izbaciti iz uporabe i uništiti.
- 5.3 SKLADIŠTENJE I PRIJEVOZ:** Skladištite i prevozite jednodijelni pojas na hladnom, suhom, čistom mjestu, podalje od izravne sunčeve svjetlosti. Izbjegavajte mjesta gdje su prisutna kemijska isparavanja. Temeljito pregledajte opremu nakon duljeg skladištenja.

6.0 OZNAČAVANJE

Slika 14 prikazuje naljepnice proizvoda i njihovo mjesto na jednodijelnom pojasu. Sve naljepnice moraju biti na broju i u potpunosti čitljive.

Na svakoj naljepnici trebaju se nalaziti sljedeći podaci:

1	(A) Sidro točke pada uhićenja, označen velikim slovom "A" (B) Lokacija oznake
2	(A) Dnevnik inspekcije (B) Serijski broj (C) Datum (D) početka (E) Nemojte skidati ovu naljepnicu.
3	(A) Naljepnica s podacima korisnika
4	(A) Serijski broj (B) Mjesec proizvodnje (C) Godina proizvodnje (D) Broj serije (E) Broj modela (F) Europski standard (G) Kapacitet (H) Veličina (I) Vidjeti upute (J) Oznaka CE (K) Broj Nadležnog tijela za sukladnost s tipom (L) Veličina tijela remena

Kérjük, hogy a teljes testes tartóhám használata előtt olvassa el, értse meg és kövesse a jelen használati utasításban szereplő összes biztonsági információt. ENNEK ELMULASZTÁSA SÚLYOS SÉRÜLÉSHEZ VAGY HALÁLHOZ VEZETHET.

Ezeket az utasításokat át kell adni az eszköz használójának. Őrizze meg ezeket az utasításokat a későbbi felhasználásra.

Rendeltetészerű használat:

Ez a teljes testes tartóhám komplett személyi zuhanásgátló rendszer részeként használható.

A 3M nem engedélyezi a más alkalmazásokban való használatot (többek között anyagkezelés, szabadidős vagy sporttevékenységek, illetve a termék használati utasításában nem szereplő egyéb tevékenységek esetén), mert ezek súlyos sérüléseket vagy halált okozhatnak.

Ezt az eszközt csak képzett felhasználók használhatják munkahelyi alkalmazásokban.

FIGYELEM!

Ez a teljes testhevederzet személyi zuhanásgátló rendszer része. Elvárás, hogy minden felhasználó legyen kiképezve a személyi zuhanásgátló rendszer biztonságos felszerelésére és használatára. **Az eszköz nem rendeltetészerű használata súlyos sérüléshez vagy halálhoz vezethet.** A megfelelő kiválasztás, használat, felszerelés, karbantartás és szervizelés érdekében tanulmányozza a termékhez kapcsolódó összes használati utasítást és az összes gyártói ajánlást, kérdezze meg felettesét, vagy forduljon a 3M műszaki szolgálatához.

- **A teljes testes tartóhámmal történő munkavégzéshez kapcsolódó kockázatok csökkentése érdekében kövesse az alábbiakat, amely kockázatok megelőzése nélkül súlyos sérülés vagy halál következhet be:**
 - Ellenőrizze az eszközt minden használat előtt, de legalább évente, valamint minden zuhanási eseményt követően. Ellenőrzéskor kövesse a használati utasítást.
 - Ha az ellenőrzés során nem biztonságos vagy hibás körülményt állapít meg, vonja ki az eszközt a használatból, és semmisítse meg.
 - Azon eszközöket, amelyek zuhanásgátlásban vettek részt vagy erőhatásnak lettek kitéve, azonnal ki kell vonni a használatból, és meg kell semmisíteni.
 - Ellenőrizze, hogy a hevedert helyesen viseli-e, megfelelő méretű-e és megfelelően be van-e állítva.
 - Gondoskodjon arról, hogy minden csatlakoztatott alrendszer (például feszítőkötelek) védve legyen a veszélyekkel szemben, többek között ne akadjon be más dolgozóba vagy Önbe, mozgó gépbe vagy egyéb környező tárgyakra.
 - Gondoskodjon arról, hogy a különböző gyártók alkatrészeiből összeszerelt zuhanásgátló rendszerek/alrendszerek kompatibilisek legyenek, és megfeleljenek a hatályos szabványok követelményeinek, többek között az ANSI Z359 szabványnak, illetve más alkalmazandó zuhanásgátlási kódexnek, szabványnak vagy előírásnak. Ezen rendszerek használata előtt mindig konzultáljon szakértővel vagy képzett személlyel.
- **A magasban történő munkavégzéshez kapcsolódó kockázatok csökkentésére kövesse az alábbiakat, amely kockázatok megelőzése nélkül súlyos sérülés vagy halál következhet be:**
 - Legyen jó egészségi és fizikai állapotban ahhoz, hogy ellenálljon a magasban történő munkavégzés közben felmerülő erőhatásoknak. Ha kérdése merül fel ezen eszköz használatával kapcsolatos képességére vonatkozóan, konzultáljon orvosával.
 - Soha ne lépje túl a zuhanásgátló eszköz megengedett terhelését.
 - Soha ne lépje túl a zuhanásgátló eszköz maximális szabadesési távolságát.
 - Ne használjon olyan zuhanásgátló eszközt, amely nem felel meg a használat előtti vagy egyéb tervezett ellenőrzéseken, vagy ha aggályai vannak az eszköz használatával vagy az alkalmazáshoz való alkalmasságával kapcsolatban. Kérdés esetén forduljon a 3M műszaki szolgálatához.
 - Bizonyos alrendszer- és alkatrész-kombinációk akadályozhatják ennek az eszköznek a működtetését. Csak kompatibilis csatlakozókat használjon. Konzultáljon a 3M vállalattal, ha ezt az eszközt az ebben a használati utasításban leírtaktól eltérő alkatrészekkel vagy alrendszerekkel együtt használja.
 - Nagyon óvatosan járjon el mozgó gépek körüli munkavégzéskor (például olajfúrók felső meghajtásánál), elektromos veszélyeknél, szélsőséges hőmérsékleten, vegyi jellegű veszélyeknél, robbanékony vagy mérgező gázok, éles szegélyek, illetve olyan felfüggesztett anyagok jelenlétében, amelyek Önre vagy a zuhanásgátló eszközre zuhanhatnak.
 - Magas hőmérsékleten való munkavégzéshez használjon ívvédelmi vagy hővédelmi eszközöket.
 - Kerülje azokat a felületeket és tárgyakat, amelyek sérülést okozhatnak a felhasználónak vagy az eszközön.
 - Magasban történő munkavégzés esetén gondoskodjon a megfelelő zuhanási térről.
 - Soha ne módosítsa vagy változtassa meg a zuhanásgátló eszközt. Az eszközt csak a 3M vagy a 3M által írásban felhatalmazott személy javíthatja.
 - Zuhanásgátló eszköz használata előtt legyen megfelelő mentési terv, amely azonnali mentést tesz lehetővé zuhanási esemény esetén.
 - Zuhanás esetén azonnal hívjon orvost a lezuhant dolgozóhoz.
 - Zuhanásgátló alkalmazásokhoz ne használjon testhevedert. Csak teljes testes tartóhámot használjon.
 - Csökkentse minimálisra a lengő zuhanást azáltal, hogy a kikötési pont alatti lehető legközelebbi helyen dolgozik.
 - Ha kiképzésen vesz részt ezzel az eszközzel, második zuhanásgátló rendszert kell használni oly módon, hogy a gyakorló személy ne tegye ki magát nemkívánatos zuhanásveszélynek.
 - Mindig viseljen megfelelő személyi védőfelszerelést az eszköz/rendszer felszerelésekor, használatakor vagy ellenőrzésekor.

Az eszköz használata előtt jegyezze fel az azonosító címkén szereplő termékazonosító adatokat a kézikönyv végén található „Ellenőrzési és karbantartási naplóba”.

Mindig ellenőrizze, hogy a 3M használati útmutatójának legújabb verzióját használja. A legfrissebb használati útmutatókért látogasson el a 3M weboldalára vagy forduljon a 3M műszaki ügyfélszolgálatához.

LEÍRÁS

Az 1. ábra a rendelkezésre álló 3M™ Protecta® teljes testhevederzet modelleket ismerteti. A hevederzet modellek a következő funkciók különböző kombinációival állnak rendelkezésre:

	1. ábra Hivatkozás:	Leírás:
Méret	S, M/L, XL	Kicsi, Közepes/Nagy, Extra nagy
	Ⓑ	A testöv mérete cm-ben
Rögzítő elemek	①	Háti D-gyűrű
	②	Mellkasi D-gyűrű
	③	Csípő D-gyűrűk
	④	Váll akasztó
Csatok	⑤	Gyorscsatlakozós csatok
	⑥	Átfűzős csatok
Beállítók	⑦	Ejtőernyős testbeállítók
Párnázás	⑧	Öv és csípő párnázás
	⑨	Láb párnázás
További funkciók	⑩	Elszakadó, önvisztaállító rögzítő kötéltartók
	⑪	Hevedervég kezelés - Lásd: 11. ábra
	⑫	Mentőöv
	⑬	Műszerhurok

MŰSZAKI ADATOK

Teljesítmény:	
Maximális zuhanás gátló erő:	6 kN (1 349 lbf)
Kapacitás:	140 kg (310 lb.)
Működési hőmérséklet:	Minimum: -35 °C (-31 °F) Maximum: +57 °C (135 °F)

Anyagok:	
Heveder	Poliészter - 22 kN (4 946 lbf) Szakítószilárdság
Párnázás burkolatok	Nejlón és poliészter keverék
Címke burkolat	Nejlón és poliészter keverék
Fonal	Poliészter fonal poliészter szöveten
D-gyűrűk	Acél ötvözet - 22 kN (4 946 lbf) Szakítószilárdság
Gyorscsatlakozós csatok	Acél, rozsdamentes acél és acél ötvözet - 18 kN (4 047 lbf) Szakítószilárdság
Áthúzó csatok	Acél ötvözet - 18 kN (4 047 lbf) Szakítószilárdság
Ejtőernyős testbeállítók	Acél ötvözet - 18 kN (4 047 lbf) Szakítószilárdság

1.0. ALKALMAZÁSOK

- 1.1. CÉL:** A teljes testhevederzet a zuhanás megelőzésre vagy zuhanásgátlásra használt személyi zuhanásgátló rendszerek komponenseként való alkalmazásra szolgál (lásd: 2. ábra). A teljes testhevederzeteket a következő alkalmazásokhoz használják:

(A)	Zuhanásgátlás (EN360, EN361, EN355): A személyi zuhanásgátlási rendszerek általában egy teljes testhevederzetet és egy csatlakozó alrendszert (energiaelnyelő rögzítő kötélt, önvisszahúzó eszköz stb.) tartalmaznak. A maximális zuhanásgátló erő nem haladhatja meg a 6 kN (1 349 lbf) értéket. <i>Kikötési pont szilárdság:</i> A kiválasztott kikötési pontnak legalább 12 kN (2 698 lbf) terhelést kell elbírnia.
(B)	Munkahelyzet-beállítás (EN358, EN813): A munkahelyzet-beállítási rendszerek általában egy teljes testhevederzetet, pozicionáló rögzítő kötelet és egy másodlagos személyi zuhanásgátló rendszert tartalmaznak. A munkavégzési pozicionálási alkalmazásokhoz csatlakoztassa a munkavégzési pozicionáló alrendszert (például: rögzítő kötélt, rögzítő Y-kötélt, stb.) az alsó (csípővel egy szintben levő), oldalsó- vagy övre szerelt munkavégzési pozicionáló csatlakoztatási rögzítő elemekhez (D-gyűrűkhöz). Ezeket a csatlakozási pontokat tilos zuhanásgátlásként használni. <i>Rögzítő elemek:</i> Elülső, csípő. <i>Kikötési pont szilárdság:</i> A kiválasztott kikötési pontnak legalább 12 kN (2 698 lbf) terhelést kell elbírnia.
(C)	Felmászás (EN353-1): A teljes testhevederzet egy felmászó rendszer komponenseként használatos, hogy megakadályozza a használó zuhanását a létrán vagy egyéb mászásra szolgáló szerkezeten való felmászás során. A felmászó rendszerek általában egy teljes testhevederzetet, a szerkezethez rögzített függőleges kábelt vagy sínt és mászó hüvelyt tartalmaznak. Létrára történő felmászási alkalmazásoknál rögzített létramászó rendszerekhez a mellkasi helyzetben levő elülső D-gyűrűvel ellátott hevederzeteket lehet használni zuhanásgátlásként. <i>Rögzítő elemek:</i> Mellkasi. <i>Kikötési pont szilárdság:</i> A szerkezetnek, amelyhez a felmászó rendszer van csatlakoztatva, el kell bírnia a felmászó rendszer gyártójának dokumentációjában szereplő terheléseket.
(D)	Mentés (EN1496, EN1497, EN1498): A teljes testhevederzet egy mentő rendszer komponenseként használatos. A mentő rendszerek konfigurációja a mentés típusától függ. Korlátozott hozzáférésű (szűk terű) alkalmazásoknál a vállakon D-gyűrűkkel ellátott hevederzetek használhatók a szűk helyre történő beszálláshoz és onnan való kijutáshoz, ha a munkavégző személy profilja problémát jelent. <i>Rögzítő elemek:</i> Háti, mellkasi, elülső, váll. <i>Kikötési pont szilárdság:</i> A kiválasztott kikötési pontnak legalább 12 kN (2 698 lbf) terhelést kell elbírnia.
(E)	Kontrollált leereszkedés (EN341): Kontrollált leereszkedési alkalmazásoknál egy egyetlen mellkasi szintű D-gyűrűvel, egy vagy két elülső felszerelésű D-gyűrűvel vagy a derék alatt elhelyezkedő csatlakozó párral (pl. ülés hámmal) ellátott hevederzeteket lehet használni a leeresztő-, illetve evakuációs rendszerhez való csatlakoztatáshoz. <i>Rögzítő elemek:</i> Háti, mellkasi, elülső. <i>Kikötési pont szilárdság:</i> A kiválasztott kikötési pontoknak legalább 12 kN (2 698 lbf) terhelést kell elbírnuk.
(F)	Korlátozás (EN354): A teljes testhevederzet egy korlátozó rendszer komponenseként használatos, hogy megakadályozza a használó zuhanási veszély közelébe jutását. A korlátozó rendszerek általában egy teljes testhevederzetet és egy rögzítő vagy korlátozó kötelet tartalmaznak. <i>Rögzítő elemek:</i> Háti, mellkasi, elülső, csípő. <i>Kikötési pont szilárdság:</i> A kiválasztott kikötési pontnak legalább legalább 18 kN (4 047 lbf), ha nyakpántok, beleértve a textilanyagot vagy a textil nyakpántokat is, pl. szintetikus szál köteleket vagy hevedereket használnak. Ha teljesen fém elemekből készült zsinórokat használnak, a rögzítésnek legalább 12 kN (2 698 lbf) terhelést kell viselnie.

- 1.2. SZABVÁNYOK:** A kézikönyvben szereplő hevederzetek eleget tesznek a kézikönyv címlapján feltüntetett szabvány(ok) nak. Ha az eredeti célszövegétől eltérően eladja a terméket, akkor a viszonteladónak ezeket az utasításokat azon ország nyelvén kell biztosítani, amelyben a terméket használni fogják.

- 1.3. BETANÍTÁS:** Az eszköz használója és megvásárlója felelős azért, hogy ismerje az itt leírt utasításokat, ki legyen képezve az eszköz helyes karbantartására és kezelésére, valamint ismerje az eszköz működésének jellemzőit, a felhasználásra vonatkozó korlátozásokat és a helytelen használatból származó következményeket.

- 1.4. KORLÁTOZÁSOK:** Az eszköz használata előtt mindig vegye figyelembe az alábbi alkalmazási korlátozásokat:

- **KAPACITÁS:** A teljes testhevederzet legfeljebb 140 kg (309 lb.) összsúlyú (ruházat, szerszámok stb.) személyek által használható. Ügyeljen arra, hogy rendszere valamennyi komponense a felhasználási célnak megfelelő besorolású legyen.
- **SZABADESÉS:** A leeső letartóztatási rendszernek tartalmaznia kell az energiaelnyelő elemeket vagy funkciókat annak biztosítására, hogy a felhasználó testén lévő ütközési erők a szabad lehullás leállításakor legfeljebb 6 kN-ra (1 349 lbf) korlátozódjanak. A korlátozó rendszereket úgy kell felszerelni, hogy ne legyen lehetséges a függőleges zuhanás. A munkahelyi pozicionáló rendszereket úgy kell felszerelni, hogy a szabadesés mértéke maximum 60 cm (24 in.) lehessen. A személyi mozgató rendszereket úgy kell felszerelni, hogy ne legyen lehetséges a függőleges zuhanás. A mentő rendszereket úgy kell felszerelni, hogy ne legyen lehetséges a függőleges zuhanás. További információkért lásd az alrendszer gyártójának utasításait.
- **ZUHANÁSI TÉR:** A 3. ábra egy zuhanásgátlás komponenseit mutatja. Elegendő zuhanási tér (Fall Clearance; FC) szükséges a zuhanás megállításához, mielőtt a használó a talajhoz vagy egyéb tárgyhoz ütközne. A szabad teret számos tényező befolyásolja, úgymint: (A) a rögzítő kötélt hossza, (B) rögzítő kötélt lassulási távolsága vagy SRD maximális megállítási távolság, (C) hevederzet nyúlása és D-gyűrű/csatlakozó hossza és csillapítása (általában 0,5 m (1,6 ft.)-es biztonsági faktor). A zuhanási tér számításokkal kapcsolatos részletekhez lásd a rögzítő kötélt vagy önvisszahúzó eszközhöz mellékelte utasításokat.
- **LENGŐ ZUHANÁSOK:** Lengő zuhanás akkor következhet be, ha a kikötési pont nem közvetlenül az esés helye felett található (lásd: 4. ábra). Súlyos sérülést vagy halált okozhat, ha lengő zuhanás közben a zuhanó személy valamilyen tárgyhoz ütődik. Csökkentse minimálisra a lengő zuhanást azáltal, hogy a kikötési pont alatti lehető legközelebbi helyen dolgozik. Mindenképp kerülje el a lengő zuhanásokat, ha sérülés veszélye forog fenn. A lengő zuhanások jelentősen megnövelik a szükséges teret önvisszahúzó eszköz vagy egyéb változtatható hosszúságú csatlakoztató alrendszer használata esetén.
- **HOSSZÚ IDEJŰ FELFÜGGESZTÉS ÉS AKASZTÁSI TRAUMA:** A teljes testhevederzet nem használható hosszú idejű felfüggesztéssel járó alkalmazásokhoz. A hosszú ideig tartó felfüggesztés akasztási traumát okozhat. Ha a használó hosszabb ideig felfüggesztve marad, akkor ajánlott valamilyen formájú ülés alátámasztást használni. A 3M ajánlja egy deszkaülést, felfüggesztett munkaülést, ülés vagy függőszék alkalmazását. Az ezekkel az eszközökkel kapcsolatos további információkért lépjen kapcsolatba a 3M-mel.
- **KÖRNYEZETI VESZÉLYEK:** Az eszköz környezeti veszélyeket rejtő területen történő használata esetén további elővigyázatossági intézkedésekre lehet szükség a használó sérülésének vagy az eszköz károsodásának az elkerülése érdekében. Ilyen veszély lehet többek közt: hő, kémiai anyagok, korrozív környezet, magasfeszültségű vezetékek, gázok, mozgó gépek és éles szegélyek.
- **MAGAS HŐMÉRSÉKLETŰ KÖRNYEZETEKHEZ TERVEZETT HEVEDERZETEK:** A Kevlar szövettel rendelkező hevederzetek magas hőmérsékletű környezetben való használatra lettek tervezve, az alábbi korlátozásokkal: A Kevlar szövet 425 - 480 °C (800 - 900 °F) hőmérsékleten pörkölni kezd. A Kevlar szövet 535 °C (1 000 °F) hőmérsékletig ellenáll a korlátozott idejű érintkezésnek. A poliészter szövet 145 - 200 °C (300 - 400 °F)

hőmérsékleten elveszíti a szilárdságát. A fém tartozékok PVC bevonatának olvadáspontja kb. 175 °C (350 °F).

Bár a PVC bevonatú és cink futtatású fém alkatrészek kiváló korrózióálló tulajdonsággal rendelkeznek a vegyszeres, savas, lúgos vagy szabadtéri körülmények között, gyakori ellenőrzésük szükséges. Lépjen kapcsolatba a 3M-mel, ha kétséges az Ön számára az eszköz veszélyes környezetben történő alkalmazása.

2.0. A RENDSZER HASZNÁLATA

- 2.1. MENEKÍTÉSI TERVEZET:** Az eszköz és csatlakozó alrendszere(i) használata során a munkaadónak rendelkeznie kell egy menekítési tervvel és a szükséges eszközökkel a tervezet bevezetéséhez és annak a¹ használók, jogosult személyek² és mentő személyzet³ felé történő kommunikációjához.
- 2.2. ELLENŐRZÉS GYAKORISÁGA:** A teljes testhevederzetet a használónak minden használat előtt, a használón kívüli más meghatalmazott személynek pedig⁴ legalább évente egyszer le kell ellenőriznie⁵. Az ellenőrzési eljárások a *Használati kézikönyvben található „Ellenőrzési és karbantartási naplóban” szerepelnek*. A szakember által végzett valamennyi ellenőrzés eredményeit az „Ellenőrzési és karbantartási naplóban” kell rögzíteni, vagy a rádiófrekvenciás azonosító rendszerrel kell követni (lásd: „Ellenőrzés”).

Ha a 3M a berendezés bonyolultsága vagy megújítása miatt, vagy a berendezés szétszereléséhez, összeszereléséhez vagy felméréséhez kritikus fontosságú szakismeret szükségessége miatt előírja az időszakos ellenőrzéseket, azt kizárólag csak a 3M, illetve a 3M által meghatalmazott személyek vagy szervezetek végezhetik.

- 2.3. KOMPONENSEK KOMPATIBILITÁSA:** A 3M eszközt kizárólag a 3M által jóváhagyott alkatrészekkel és alrendszerekkel együtt történő alkalmazásra tervezték. A jóvá nem hagyott alkatrészekkel vagy alrendszerekkel történő helyettesítés, illetve pótlás veszélyeztetheti az eszköz kompatibilitását, ugyanakkor befolyásolhatja az egész rendszer biztonságát és megbízhatóságát.
- 2.4. CSATLAKOZÓELEMEK KOMPATIBILITÁSA:** A csatlakozóelemeket akkor tekintjük kompatibilisnek a csatlakozó elemekkel, ha azokat oly módon történő használatra tervezték, hogy méretük és alakjuk – tekintet nélkül arra, hogy milyen tájolásúak – nem idézi elő reteszelő mechanizmusaik véletlenszerű nyitását. A kompatibilitással kapcsolatos kérdésekkel forduljon a 3M-hez. A csatlakozóelemeknek (horgok, karabinerek és D-gyűrűk) legalább 22 kN (4 946 lbf)-t kell megtartaniuk. A csatlakozóelemeknek kompatibilisnek kell lenniük a kikötési ponttal vagy a rendszer egyéb alkatrészeivel. Ne használjon olyan eszközt, amely nem kompatibilis. A nem kompatibilis csatlakozók véletlenül szétkapcsolódhatnak (lásd az 5. ábrát). A csatlakozóelemeknek méret, alak és teherbírás szempontjából egyaránt kompatibilisnek kell lenniük. Ha a csatlakozóelem, amelyhez biztonsági horog (az ábrán látható) vagy karabiner csatlakozik, túlságosan kis méretű, illetve szabálytalan alakú, előfordulhat, hogy a csatlakozóelem erőt fejt ki a biztonsági horog vagy a karabiner zárnyelvére. Ez az erő a zárnyelvet nyitásra készítheti, ezáltal pedig a biztonsági horog vagy a karabiner lekapcsolódhat a csatlakozási ponttól. Önzáró biztonsági horgokat és karabinereket kell alkalmazni.
- 2.5. CSATLAKOZTATÁSOK:** Ezzel az eszközzel együtt kizárólag önzáró biztonsági horgokat és karabinereket használjon. Csak az egyes alkalmazások szempontjából megfelelő csatlakozóelemeket használjon. Ellenőrizze, hogy minden csatlakozás – méret, alak, mind teherbírás szempontjából – kompatibilis-e. Ne használjon olyan eszközt, amely nem kompatibilis. Ellenőrizze, hogy minden csatlakozóelem teljesen záródott és reteszelt-e.

A 3M csatlakozók (biztonsági horgok és karabinerek) kizárólag az egyes termékek használati utasításában meghatározott módon alkalmazhatók. A helytelen csatlakoztatások a 6. ábrán láthatók. A 3M biztonsági horgai és karabinerei nem csatlakoztathatók:

- A. olyan D-gyűrűhöz, amelyhez másik csatlakozóelem csatlakozik;
 - B. oly módon, hogy az terhelést jelentsen a zárnyelv számára;
 - C. hibás összekapcsolódáskor, amikor a biztonsági horgból vagy karabinerből kiálló részek beakadnak a kikötési pontba, a szemrevételezéssel történő megerősítés hiányában azonban úgy tűnik, mintha teljesen összekapcsolódtak volna a kikötési ponttal;
 - D. egymáshoz;
 - E. közvetlenül szövet hevederhez vagy kötélehez, illetve tartókötélehez (hacsak a gyártónak a mind a kötéltre, mind a csatlakozóelemre vonatkozó utasításai az ilyen jellegű csatlakoztatást kifejezetten nem engedélyezik);
 - F. bármely olyan tárgyhoz, amely olyan alakú vagy méretű, hogy a biztonsági horog vagy a karabiner nem tud záródni, illetve reteszelődni, vagy amelynél kicsúszás fordulhat elő;
 - G. oly módon, amely nem teszi lehetővé, hogy a csatlakozóelem terhelés alatt megfelelően beállítható legyen.
- 2.6. CSATLAKOZÓ ALRENDSZEREK:** A csatlakozó alrendszereknek (önvisszahúzó mentőkötél, rögzítő kötéle, kapaszkodó kötéle és mentőkötél, kábel hüvely stb.) alkalmazásnak kell lenniük az adott alkalmazáshoz (lásd: 1.1. fejezet). További információkért lásd az alrendszer gyártójának utasításait. Egyes hevederzet modellek hurokheveder csatlakozási pontokkal rendelkeznek. A hurokhevederekhez való csatlakoztatáshoz tilos biztonsági horgokat használni. A hurokhevederhez való csatlakoztatáshoz önzáró karabinert kell használni. Ügyeljen arra, hogy a karabiner zárnyelvére ne kapjon terhelést (a karabiner fő tengelyének irányába helyezett a nyelv ellen ható terhelést). Egyes rögzítő kötelek tervezésüknél fogva hurokhevederre való rászorulással alakítanak ki kompatibilis csatlakozást. A rögzítő kötelek állandó csatlakozásként közvetlenül a hurokhevederre lehetnek varrva. Ne hozzon létre többszörös csatlakoztatást egyetlen hurokhevederen, kivéve ha két rögzítő kötelet szorít rá egy megfelelő méretű hurokhevederre. A rögzítő kötéle rászorítása egy hurokhevederre (7. ábra): A) A rögzítő kötéle hurokhevederét dugja a hevederzeten levő hurokhevederbe vagy D-gyűrűbe. B) A rögzítő kötéle megfelelő végét dugja át a rögzítő kötéle hurokhevederén. C) A rögzítő kötelet a rögzítéshez húzza át a csatlakozó hurokhevederen.
- 2.7. RÖGZÍTŐKÖTÉL-TARTÓ:** A 8. ábra a rögzítőkötéltartót mutatja. A rögzítőkötéltartó tartozék egy rögzítő kötéle vagy egy hevederre szerelt önvisszahúzó eszköz szabad végének a csatlakoztatására szolgál, ha az zuhanásgátlás céljából nincs egy csatlakoztató kikötési ponthoz csatlakoztatva. A rögzítőkötéltartókat tilos zuhanásgátló csatlakozó elemként használni a hevederzeten rögzítő kötéle önvisszahúzó eszköz (A) csatlakoztatására.

Ha egy nem csatlakoztatott rögzítő kötéle vég nincs kikötési ponthoz rögzítve, azt megfelelő módon a hevederzeten kell tartani (B) vagy a használó kezében kell tartani 100% kikötési alkalmazásoknál (Tie-Off) (C). A szabadon levő rögzítő kötéle végek (D) a használó megbotlását okozhatják vagy a környező tárgyakba akadva zuhanást idézhetnek elő.

1 Használó: Az a személy, aki magasban történő tevékenységet folytat, miközben személyi zuhanásgátló rendszer védi.

2 Jogosult személy: A munkaadó által az olyan helyen végzett feladatok ellátására kijelölt személy, ahol az adott személy zuhanásveszélynek van kitéve.

3 Mentést végző személy: A megmentett személyen kívüli személy vagy személyek, akik mentőrendszerrel mentést végeznek.

4 Hozzáértő személy: Az a személy, aki képes a fennálló és megjelölhető kockázatokat azonosítani a környezetben, illetve olyan munkahelyi feltételek közepette, amelyek az alkalmazottak szempontjából az egészségre károsak, veszélyesek, illetve kockázatosak, és aki arra jogosult, hogy ezek kiküszöbölése érdekében azonnal kiigazító intézkedéseket tegyen.

5 Ellenőrzés gyakorisága: Szükséges munkafeltételek mellett (mostoha környezet, hosszabb használat stb.) a hozzáértő személy által végzett gyakoribb ellenőrzésre lehet szükség.

3.0. A HEVEDERZET HASZNÁLATA

3.1. AZ ESZKÖZT MINDEN HASZNÁLAT ELŐTT az „Ellenőrzési és karbantartási napló” szerint (1. táblázat) le kell ellenőrizni.

3.2. HASZNÁLAT ELŐTT TERVEZZE MEG a rendszerét. Vegyen figyelembe minden tényezőt, amely saját biztonságát az eszköz alkalmazása során befolyásolja. A következő lista a rendszere megtervezése során figyelembe veendő fontos szempontokat ismerteti:

- **Kikötési pont:** Olyan kikötési pontot válasszon, amely eleget tesz a tervezett zuhanásgátlási alkalmazás statikus terhelési követelményeinek (lásd: 1.1. fejezet). A kikötési pontnak figyelembe kell vennie az 1.4. fejezetben ismertetett szabad zuhanást, zuhanási térközt, lengő zuhanást, valamint környezeti korlátokat.
- **Éles szegélyek:** Ne dolgozzon olyan helyen, ahol a rendszer alkatrészei nyílt, éles szegélyekhez érhetnek vagy azokhoz súrlódhatnak.
- **Zuhanást követően:** A zuhanásgátlás során fellépő erőhatásoknak kitett alkatrészeket használaton kívül kell helyezni és meg kell semmisíteni.
- **Mentés:** A munkaadónak az eszköz használata során mentési tervvel kell rendelkeznie. A munkaadónak képesnek kell lennie a mentés gyors és biztonságos végrehajtására.
- **Mentőheveder:** A mentőhevedereket (EN1497) normál munkatevékenységek végrehajtása közbeni viseletre tervezték. A mentési célú csatlakozóelemek első használata előtt a használonak felfüggesztési vizsgálatot kell végeznie biztonságos körülmények között, amelynek során meggyőződik arról, hogy a heveder mérete és illesztése optimális kényelmet biztosít felfüggesztés közben.
- **Munkahelyzet pozicionálása:** Munkahelyzet pozicionálására szolgál rendszer használatakor mindig fontolja meg egy lezuhanás elleni tartalékrendszer (pl. lezuhanásgátló rendszer) használatát. A rögzítési pontot mindig a derék szintjén vagy fölött használja.

3.3. CSATOK: A teljes testhevederzet a lábszár hevederek és mell hevederek rögzítését és beállítását szolgáló különböző csatokkal van ellátva. A hevederzet test övei csapos csattal rendelkeznek. Az Ön hevederzetén található csat típusokhoz lásd az 1. ábrát. A 9. ábra a következő típusú csatok kezelését mutatja:

1. Gyorscsatlakozós csatok:

- A gyorscsatlakozós csat rögzítéséhez illesse a fület az aljzatba, míg kattantást nem hall.
- A csatlakoztatott szalag heveder beállítása: Húzza előre illetve hátra a szalag hevedert a csat nyílásban a megszorításhoz illetve kilazításhoz.
- A gyorscsatlakozós csat kioldása: Nyomja össze az aljzat mindkét oldalán található reteszelő karokat. Húzza ki a fület az aljzataból.

2. Átfűzős csatok:

- Dugja át a csat bevezető részét a csat fogadó részben levő résen keresztül.
- Húzza meg a szabad hevedert, hogy a csat bevezető része felfeküdjön a csat fogadó része ellenében. Rögzítse a szabad hevedert a heveder tartóban.

3.4. BEÁLLÍTÁSOK: A hevederzetek egy pár testbeállítóval vannak ellátva a váll hevederek beállításához. A 10. ábra a testbeállítók beállítását mutatja:

1. Ejtőernyős testbeállítók:

- Húzza meg a szabad hevedert a váll heveder megszorításához. A váll heveder kilazításához húzza meg a szabad hevedert, majd vezesse vissza a hevedert az ejtőernyős beállítón keresztül.
- A megfelelő beállítás után rögzítse a szabad hevedert a hevedertartóban.

Ha tépőzáras szalagvégvezetés van (lásd a 11. ábrát), görgesse vissza a szabad szalagszíjat addig, amíg meg nem szorul (A), húzza vissza a tépőzáras csíkokat a heveder fölé, és rögzítse a csíkokat (B). Ellenőrizze, hogy a henger szoros-e, és a szíjtartó elmozdult-e a henger közelében (C).

3.5. A TELJES TESTHEVEDERZET FELVÉTELE ÉS TESTRE IGAZÍTÁSA: A 13. ábra a teljes testhevederzet felvételét és testre igazítását mutatja. A hevederzetet minden használat előtt az „Ellenőrzési és karbantartási napló” szerint (1. táblázat) le kell ellenőrizni. A hevederzet felvétele és testre igazítása:

A hevederzet becsatolásának és a hevederek beállításainak a módja a hevederzet modelljétől függ. A részletekhez lásd a 3.3 - 3.4. fejezetet és a 9 - 10. ábrát.

- Emelje fel a hevederzetet és tartsa meg a háti D-gyűrűnél fogva. Ügyeljen arra, hogy a hevederek ne legyenek megcsavarodva.
- Fogja meg a váll hevedereket és csúsztassa a hevederzetet az egyik karra. A háti D-gyűrűnek a hátánál kell elhelyezkednie. Ügyeljen arra, hogy a hevederek ne legyenek összegabalyodva és szabadon lógjanak. Csúsztassa a szabad karját a hevederzetbe, és igazítsa a váll hevedereket a vállára. Helyes viselés esetén a mell hevedernek és a mell csatnak elől kell elhelyezkednie.
- A lábai közé nyúlva fogja meg a jobb oldalán levő lábszár hevedert. Húzza fel a hevedert a lábszárai között; csatolja a jobb csípőjénél levő illeszkedő csathoz, és állítsa be a lábszár hevedert szorosra, de kényelmesre (a csat kezelését lásd a 3.3. fejezetben). A megfelelő beállítás után dugja a Lábszár heveder szabad végét a heveder tartóba. Ismétlje meg ezt az eljárást a bal oldali lábszár heveder becsatolásához és beállításához.
- Állítsa be és csatolja be a csapos csattal rendelkező test övet, amennyiben van ilyen. (A csapos csat kezeléséhez lásd a 3.3. fejezetet).
- Csatolja be és állítsa be a mell hevedert (a csat kezeléséhez lásd a 3.3. fejezetet). A mell hevedernek a vállak tetejétől 15 cm (6 in)-re lefelé kell elhelyezkednie. A megfelelő beállítás után dugja a Mellkas heveder szabad végét a hevedertartóba.
- A testbeállítókkal állítsa be a váll hevedereket, hogy szorosan illeszkedjenek (a testbeállító kezeléséhez lásd a 3.4. fejezetet). A váll hevederek a bal és a jobb oldalon egyforma hosszúra kell beállítani, és a mellkas hevedernek a

mellkas alsó részén közepén, a vállaktól 15 cm (6 in)-re kell elhelyezkednie. A háti D-gyűrűnek a lapockák között közepén kell elhelyezkednie. Az első mellkasi D-gyűrűnek, amennyiben van ilyen, a hevederzet középvonalától mérve oldalt 5 cm (2 in)-re kell elhelyezkednie.

Használat közben rendszeresen ellenőrizze a rögzítőelemeket.

- 3.6. A ZUHANÁSGÁTLÓ D-GYŰRŰ VAGY RÖGZÍTŐ ELEM HASZÁLATA:** Az ősz letartóztatás pontjait az „A” betű jelöli. Zuhanásgátlási alkalmazásokhoz csatlakoztasson a mellkasi D-gyűrűhöz vagy a hátánál a lapockái között levő rögzítő elemhez, vagy az elülső mellkasi D-gyűrű rögzítőelem a mellkasán. Az oldalsó D-gyűrűk, ha vannak ilyenek, kizárólag pozicionálási vagy korlátozási célra szolgálnak. A váll tartozékokkizárólag mentési vagy kiemelési alkalmazásokhoz szolgálnak. Az elülső mellkasi D-gyűrű létrán való mászáshoz vagy pozicionáláshoz szolgál. A függesztett ülésen levő D-gyűrűk kizárólag felfüggesztési vagy pozicionálási alkalmazásokra szolgálnak. (Lásd: 1.1. fejezet).
- 3.7. CSATLAKOZTATÁSOK:** Ha a kikötési ponthoz való csatlakozáshoz, illetve a rendszer alkatrészeinek egymáshoz kapcsolásához kampót használ, akkor gondoskodjon arról, hogy az ne akadhaszon ki. A kampó akkor akadhat ki, ha a kampó és a kapcsolódó csatlakozó elem összeakadása miatt a kampó biztosító nyelve véletlenül kinyílik és szabaddá válik. A kiakadás megakadályozása érdekében önreteszelő biztosítónyelves kampókat és karabinereket kell használni. Tilos olyan kampókat vagy csatlakozókat használni, amelyek nem záródnak be teljesen a kikötési eszközön. A csatlakoztatások létrehozásával kapcsolatos további információkért lásd a gyártó utasításait.
- 3.8. CSATLAKOZTATÁSI RENDSZER KOMPONENSEK:** A felhasználó a hevederzet beállítása után csatlakozhat egyéb rendszer komponensekhez. Kövesse a 2. fejezetben szereplő iránymutatásokat és a gyártó komponenshez mellékelt utasításait.

4.0. ELLENŐRZÉS

- 4.1. ELLENŐRZÉS GYAKORISÁGA:** A teljes testhevederzetet a 2.2. fejezetben meghatározott gyakorisággal kell ellenőrizni. Az ellenőrzési eljárások az „Ellenőrzési és karbantartási naplóban” (1. táblázat) vannak ismertetve.
- 4.2. MEGHIBÁSODÁSOK:** Ha az ellenőrzés során hibás körülményt állapít meg, a hevederzetet azonnal használaton kívül kell helyezni és meg kell semmisíteni.
- 4.3. A TERMÉK ÉLETTARTAMA:** A hevederzet funkcionális élettartamát a munkakörülmények és a karbantartás határozza meg. A maximális élettartam 1 évtől (szélsőséges körülmények között történő nagy igénybevétel esetén) 10 évig (enyhe körülmények közötti könnyű használat esetén) terjedhet. A termék mindaddig használható, amíg eleget tesz az ellenőrzési feltételeknek legfeljebb 10 évig.

5.0. KARBANTARTÁS, SZERVIZELÉS, TÁROLÁS

Ne tisztítsa és ne fertőtlenítsen a terméket a következő tisztítási útmutatóban leírtaktól eltérő módszerrel. Bármilyen egyéb módszer alkalmazása hátrányos lehet akár a termékre, akár a felhasználóra nézve.

- 5.1. TISZTÍTÁS:** A 3M testhevederzet tisztítását minden esetben a 3M utasításainak megfelelően kell végezni. A hevederzetet enyhe, fehérítőszermentes mosóoldatban tisztítsa meg, majd öblítse le. Ezt követően a hevederzetet akassza fel száradni. A tisztításhoz használt víz és a szárításhoz használt levegő hőmérséklete soha nem haladhatja meg az 54,4 °C (130 °F) értéket. Bővebb információért olvassa el a műszaki tájékoztatót a webhelyünkön: <http://www.3M.com/FallProtection/WebCleaning>


Tisztítási eljárásokkal kapcsolatos kérdéseivel forduljon a 3M műszaki ügyfélszolgálatához.

- 5.2. SZERVIZELÉS:** A teljes test hám nem javítható. Ha a hám zuhanási erőnek lett kitéve, vagy ha az ellenőrzés során nem biztonságos vagy hibás körülményt állapít meg, a hámot azonnal használaton kívül kell helyezni, és meg kell semmisíteni.
- 5.3. TÁROLÁS ÉS SZÁLLÍTÁS:** A teljes testhevederzetet hűvös, száraz és tiszta környezetben, közvetlen napfénytől óvva tárolja és szállítsa. Ne tárolja az eszközt olyan helyen, ahol vegyi anyagok gőzei kerülhetnek a levegőbe. Hosszabb tárolást követően alaposan ellenőrizze le a hevederzetet.

6.0. CÍMKÉZÉS

A 14. ábra a teljes testhevederzeten található termékismertető címkéket és azok elhelyezkedését mutatja. Valamennyi címkének jelen kell lennie és teljesen olvashatónak kell lennie.

Az egyes címkéken levő információk a következők:

1	(A) Az "A" nagybetűvel jelölt leesés lehorgonyzó pontja (B) Címke helye
2	(A) Ellenőrzési napló (B) Sorozatszám (C) Kézjegy (D) Dátum (E) A címkét tilos eltávolítani.
3	(A) Felhasználói információs címke
4	(A) Sorozatszám (B) Gyártás hónapja (C) Gyártás éve (D) Tételszám (E) Típuszám (F) Európai szabvány (G) Kapacitás (H) Méret (I)  Lásd az utasításokat (J) CE-jelölés (K) A típus megfeleltetését végző értesített testület száma (L) A testöv mérete

Vinsamlegast lestu, meðtaktu og fylgdu öllum öryggisupplýsingum sem eru í þessum leiðbeiningum áður en þetta líkamsöryggisbelti er notað. EF LEIÐBEININGUM ÞESSUM ER EKKI FYLGT EFTIR, GETUR ÞAÐ VALDIÐ ALVARLEGUM MEÐSLUM, LÍKAMSTJÓNI EÐA DAUÐA.

Leiðbeiningar þessar verður að afhenda notanda þessa búnaðar. Geymdu þessar leiðbeiningar til að styðjast við í framtíðinni.

Tilætluð notkun:

Þetta líkamsöryggisbelti er ætlað til notkunar sem hluti af fullkomnu verndarkerfi sem verndar manneskjuna gegn falli.

Öll önnur notkun, þ.m.t., en takmarkast ekki við, meðhöndlun efna, notkun í affreyningar- eða íþróttaskyni eða önnur notkun sem ekki er lýst í Notandaleiðbeiningum, er ekki samþykkt af 3M og gæti valdið alvarlegum meiðslum eða dauða.

Einungis þjálfari notendur á vinnustað skulu nota þennan búnað.



VIÐVÖRUN

Þetta líkamsöryggisbelti er hluti af verndarkerfi sem verndar manneskjuna gegn falli. Ætlast er til að allir notendur séu fullþjálfari í öruggri uppsetningu og notkun þeirra eigin fallvarnarkerfis. **Röng notkun þessa búnaðar getur valdið alvarlegum meiðslum eða dauða.** Fyrir rétt val, notkun, viðhald og þjónustu, skaltu lesa þessar notandaleiðbeiningar og allar ráðleggingar framleiðanda, ræða við yfirmann þinn eða hafa samband við tæknilega þjónustu 3M.

- **Til að fyrirbyggja áhættuna sem fylgir því að starfa með líkamsöryggisbelti, sem gæti, ef ekki er komið í veg fyrir það, valdið alvarlegu líkamstjóni eða dauða:**
 - Skoðuðu búnaðinn fyrir hverja notkun, a.m.k. árlega og ef fall hefur átt sér stað. Kannaðu í samræmi við notandaleiðbeiningarnar.
 - Ef könnun leiðir í ljós óöruggt ástand eða galla skal taka búnaðinn úr umferð og farga honum.
 - Allan búnað sem hefur verið notaður í falli eða orðið fyrir miklu höggi þarf umsvifalaust að taka úr umferð og farga.
 - Tryggja skal að beltíð sé notað rétt, sé af réttri stærð og stillt rétt.
 - Tryggja skal að öll undirkerfi (t.d. dragreipi) séu hættulaus, þar á meðal, en ekki takmarkað við, flækjur við aðra starfsmenn, þig sjálfa/n, vélbúnað á ferð eða aðra hluti í kring.
 - Tryggja skal að öll fallvarnarkerfi/undirkerfi sem eru samsett úr íhlutum mismunandi framleiðenda séu samhæfð og mæti kröfum viðeigandi staðla, þ.m.t. staðlinum ANSI Z359 eða öðrum viðeigandi fallvarnarkóðum, stöðlum eða kröfum. Alltaf skal ráðfæra sig við hæfan eða vottaðan aðila, áður en þessi kerfi eru notuð.
- **Til að minnka áhættuna sem fylgir því að starfa hátt uppi, sem gæti, ef ekki er komið í veg fyrir það, valdið alvarlegu líkamstjóni eða dauða:**
 - Tryggðu að heilsa þín og líkamlegt ástand geri þér örugglega kleift að þola allt það álag sem fylgir því að starfa hátt uppi. Ráðfærðu þig við lækni ef þú hefur einhverjar spurningar varðandi hæfni þína til að nota þennan búnað.
 - Aldrei skal fara yfir leyfilega getu fallvarnbúnaðarinn.
 - Aldrei skal fara umfram hámarks lengd frjáls falls sem fallvarnbúnaðurinn leyfir.
 - Ekki nota neinn fallvarnbúnað sem bilar við prófun eða við eftirlit, eða ef þú hefur áhyggjur af notkun búnaðarinn eða telur að hann henti ekki í það verk sem er fyrir höndum. Hafðu samband við tæknilega þjónustu 3M ef þú ert með einhverjar spurningar.
 - Sum undirkerfi og samsetningar íhluta geta truflað notkun þessa búnaðar. Einungis skal nota tengingar sem eru samhæfðar við þennan búnað. Ráðfærðu þig við 3M fyrir notkun þessa búnaðar með íhlutum eða undirkerfum sem eru frábrugðin þeim kerfum sem er lýst í notandaleiðbeiningunum.
 - Nota skal auka varúðarráðstafanir þegar verið er að vinna nálægt tækjabúnaði sem er á hreyfingu (dæmi: á olíuborþöllum), nálægt rafmagnshættu, við mjög hátt eða lágt hitastig, við efnahættu, þar sem sprengihætta er eða hættulegar gastegundir, skarpar brúnir, eða undir hlutum sem gætu fallið á þig eða á fallvarnbúnaðinn sjálfan.
 - Notaðu Arc Flash- eða Hot Works-búnað þegar þú vinnur í mjög heitu umhverfi.
 - Forðastu yfirborðsflæti og hluti sem geta skaðað notanda eða búnaðinn.
 - Tryggðu að það sé viðeigandi pláss til að falla þegar þú vinnur hátt uppi.
 - Aldrei breyta eða umbreyta fallvarnbúnaðinum. Einungis 3M eða aðilar sem hafa skriflegt umboð frá 3M mega gera við þennan búnað.
 - Fyrir notkun fallvarnbúnaðar skal tryggja að neyðaráætlan sé til um það hvernig bregðast skuli samstundis við ef fall á sér stað.
 - Ef fall á sér stað skal leita læknishjálpar strax fyrir þann starfsmann sem fallið hefur.
 - Ekki skal nota líkamsbelti til að stöðva fall. Einungis skal nota fullt líkamsbeisli til að stöðva fall.
 - Lágmarka skal sveiflur með því að vinna eins beint fyrir neðan festipunktinn og mögulegt er.
 - Ef þjálfun fer fram með þessum búnaði verður að nota annað fallvarnarkerfi þannig að sá sem er í þjálfun sé ekki í hættu við að falla óvart til jarðar.
 - Alltaf skal nota viðeigandi persónuhlífar þegar verið er að setja upp, nota eða hafa eftirlit með búnaðinum/kerfinu.

Fyrir notkun búnaðarins, skal skrá auðkennisupplýsingar búnaðarins sem eru á „Eftirlits- og viðhaldsskrá“ á bakhlið handbókarinnar.

Gangið ávallt úr skugga um að notuð sé nýjasta útgáfa leiðbeiningahandbóka frá 3M. Uppfærðar leiðbeiningahandbækur er að finna á vefsvæði 3M, einnig má hafa samband við tækniþjónustu 3M.

LÝSING

Mynd 1 sýnir fánlegar 3M™ Protecta® gerðir líkamsöryggisbeltu. Gerðir öryggisbeltu eru fánlegar með mismunandi samsetningum eftirfarandi eiginleika:

	Mynd 1, tilvísun:	Lýsing:
Stærðir	S, M/L, XL	Small, Medium/Large, Extra Large
	Ⓑ	Stærð líkamsbeltis í cm
Tengibúnaður	①	Aftari D-hringur
	②	Fremri D-hringur
	③	Mjaðmar-D-hringir
	④	Axlartengibúnaður
Sylgjur	⑤	Hraðtengisylgjur
	⑥	Gegnsylgjur
Stillihnappar	⑦	Fallhlífabúks-stillihnappar
Púðar	⑧	Belti og mittisbelti
	⑨	Fótapúði
Viðbótareiginleikar	⑩	Losa Endurstilla sjálfkrafa Dragreiði
	⑪	Efnisstjórnun - Sjá mynd 11
	⑫	Bjargbelti
	⑬	Tækjabúnað

TÆKNILÝSING

Afkastageta:	
Hámarks höggálag:	6 kN (1 349 lbf)
Geta:	140 kg (310 lb.)
Ganghiti:	Lágmarks: -35 °C (-31 °F) Hámarks: +57 °C (135 °F)

Efni:	
Efni	Pólýester - 22 kN (4 946 lbf) Togþol
Beltishlífur	Blanda af næloni og pólýester
Hlíf merkingar	Blanda af næloni og pólýester
Þráður	Pólýesterþráður eða pólýesterefni
D-hringir	Málmblandað stál - 22 kN (4 946 lbf) Togþol
Hraðtengisylgjur	Stál, ryðfrítt stál og málmblandað stál - 18 kN (4 047 lbf) Togþol
Gegnsylgjur	Málmblandað stál - 18 kN (4 047 lbf) Togþol
Fallhlífabúks-stillihnappar	Málmblandað stál - 18 kN (4 047 lbf) Togþol

1.0 NOTKUN

1.1 TILGANGUR: Líkamsöryggisbelti á að nota sem íhluti í fallvarnarkerfi sem verndar manneskjuna gegn falli eða stöðvar fall á öruggan máta (sjá mynd 2). Líkamsöryggisbelti eru notuð á eftirfarandi hátt:

(A)	Fallstöðvun (EN360, EN361, EN355): Persónuleg fallstöðvunarkerfi innihalda yfirleitt líkamsöryggisbelti og tengd undirkerfi (orkugleypanði dragreiði, sjálfinnndraganlegan búnað, o.s.frv.). Hámarks höggálag má ekki fara yfir 6 kN (1 349 lbf). <i>Styrkur festingar:</i> Valin festing verður að þola álag sem nemur 12 kN (2 698 lbf) eða meira.
(B)	Staðsetning við vinnu (EN358, EN813): Staðsetningarkerfi við vinnu fela yfirleitt í sér líkamsöryggisbelti, staðsetningardragreiði og varafallstöðvunarkerfi. Við notkun staðsetningar við vinnu skal tengja undirkerfi vinnustaðsetningar (dæmi: dragreiði, Y-dragreiði, o.s.frv.) við neðri (mittishæð) hlið eða beltisuppsættan tengibúnað vinnustaðsetningar (D-hringi). Aldrei skal nota þessa tengipunkta til fallstöðvunar. <i>Tengibúnaður:</i> Framan, mjaðmir. <i>Styrkur festingar:</i> Valin festing verður að þola álag sem nemur 12 kN (2 698 lbf) eða meira.
(C)	Klifur (EN353-1): Líkamsöryggisbeltið er notað sem íhlutur klifurkerfis til að hindra fall notandans þegar klifrað er upp stiga eða annan klifurflöt. Klifurkerfi innihalda yfirleitt líkamsöryggisbelti, lóðrétt reipi eða handrið fest við smannvirkið og klifurslíf. Ef um klifur upp stiga er að ræða má nota öryggisbelti sem búin eru D-hring að framan í fremri stöðu við fallstöðvun á föstum klifurkerfum stiga. <i>Tengibúnaður:</i> Fremri. <i>Styrkur festingar:</i> Mannvirki sem klifurkerfið er fest við verður að þola það álag sem gögn klifurkerfis framleiðanda segja fyrir um.
(D)	Björgun (EN1496, EN1497, EN1498): Líkamsöryggisbeltið er notað sem íhlutur í björgunarkerfi. Uppsetning björgunarkerfa ræðst af tegund björgunar. Ef um takmarkað aðgengi er að ræða (lokað rými) má nota öryggisbelti sem búin eru D-hringjum á öxlunum við inngöngu og útgöngu úr lokuðum rýmum þar sem vandamál er til staðar fyrir starfsmann. <i>Tengibúnaður:</i> Aftari, fremri, framan, axlir. <i>Styrkur festingar:</i> Valin festing verður að þola álag sem nemur 12 kN (2 698 lbf) eða meira.
(E)	Sig með stýringu (EN341): Við sig með stýringu má nota öryggisbelti sem búin eru einum fremri D-hring, einum eða tveimur D-hringum uppsettum að framan eða þar af tengjum sem eiga upptök sínu fyrir neðan mittið (til dæmis rassólar) má nota til tengingar við sig- eða rýmingarkerfi. <i>Tengibúnaður:</i> Aftari, fremri, framan. <i>Styrkur festingar:</i> Valin festing verður að þola álag sem nemur 12 kN (2 698 lbf) eða meira.
(F)	Festing (EN354): Líkamsöryggisbeltið er notað sem íhlutur í festikerfi sem hindrar notandann í að komast í fallhættu. Festikerfi innihalda yfirleitt líkamsöryggisbelti og dragreiði eða festireipi. <i>Tengibúnaður:</i> Aftari, fremri, framan, mjaðmir. <i>Styrkur festingar:</i> Valin festing verður að þola álag sem nemur að minnsta kosti 18 kN (4 047 lbf) þegar lanyards þ.mt hvaða textíl efni eða textíl lanyard þætti, t.d. tilbúið trefjar reipi eða webbing eru notuð. Þegar lanyards sem eru algjörlega úr málmipáttum eru notaðar skal festingin halda uppi álagi að minnsta kosti 12 kN (2 698 lbf).

1.2 STAÐLAR: Öryggisbelti sem finna má í þessari handbók uppfylla þá staðla sem eru á framhlið þessara leiðbeininga. Ef þessi vara er endurseld utan upprunalandins skal endursóluaðillinn veita þessar leiðbeiningar á tungumáli landsins þar sem varan verður notuð.

1.3 ÞJÁLFUN: Það er á ábyrgð kaupanda og notanda þessa búnaðar að hann hafi náð góðum skilningi á leiðbeiningum þessum og að hann hafi fengið þjálfun í réttu umhirðu og notkun þessa búnaðar. Einnig er nauðsynlegt að skilja eiginleika búnaðarins við notkun, takmarkanir hans, og hvaða afleiðingar það getur haft að nota þennan búnað á rangan hátt.

1.4 TAKMARKANIR: Ávallt skal hafa í huga eftirfarandi takmarkanir við notkun þessa búnaðar.

- **GETA:** Líkamsöryggisbeltið er hannað til notkunar fyrir einstaklinga með samanlagða þyngd (fatnaður, verkfæri, o.s.frv.) sem er ekki meiri en 140 kg (309 lb.). Gakktu úr skugga um að allir þættir í kerfinu þínu séu metnir að getu sem er viðeigandi fyrir notkun þína.
- **FRJÁLST FALL:** Fallskerðingarkerfi skal innihalda orkusparandi þætti eða aðgerðir til að tryggja að höggkraftar á líkama notandans meðan handtaka frjálst fall er takmarkaður að hámarki 6 kN (1 349 lbf). Festikerfi verða að vera stillt þannig að lóðrétt fall sé ekki mögulegt. Vinnustaðsetningarkerfi verða að vera stillt þannig að frjálst fall sé takmarkað við 60 cm (24 in.) eða minna. Kerfi til persónulegra nota verða að vera stillt þannig að lóðrétt fall sé ekki mögulegt. Björgunarkerfi verða að vera stillt þannig að lóðrétt fall sé ekki mögulegt. Sjá leiðbeiningar frá framleiðendum undirkerfa til að fá frekari upplýsingar.
- **FJARLÆGÐ FRÁ HINDRUNUM VIÐ FALL:** Mynd 3 lýsir þáttum fallstöðvunar. Fyrir hendi verður að vera fullnægjandi fjarlægð frá hindrunum við fall (FC) til að stöðva fall áður en notandinn lendir á jörðinni eða öðrum hindrunum. Fjarlægð frá hindrunum ræðst af ýmsum þáttum, þar á meðal: (A) Lengd draggreipis, (B) hraðaminnkunarfjarlægð draggreipis eða SRD hámarks höggfjarlægð, (C) teygjanleika öryggisbeltis og lengd D-hrings/tengis (yfirleitt öryggisþáttur sem nemur 0,5 m (1,6 ft.)). Í leiðbeiningunum sem fylgja er að finna upplýsingar um dragreiði og sjálfinnndraganlegan búnað varðandi útreikninga á fallstöðvun.
- **SVEIFLUFALL:** Sveiflufall á sér stað þegar festipunktur er beint fyrir ofan þann punkt þar sem fall á sér stað (sjá mynd 4). Kraftur þess að lenda á hlut við sveiflufall getur valdið alvarlegu líkamstjóni eða dauða. Lágmarka skal sveiflur með því að vinna eins beint fyrir neðan festipunktinn og mögulegt er. Ekki skal leyfa sveiflufall ef meiðsli geta átt sér stað. Sveiflufall eykur umtalsvert nauðsynlega fjarlægð frá hindrunum þegar sjálfinnndraganlegur búnaður eða annað tengt kerfi með breytilega lengd er notað.
- **FRAMLENGD UPPHENGING OG ÁVERKAR VIÐ UPPHENGINGU:** Líkamsöryggisbelti er ekki ætlað til notkunar sem framlengd upphenging. Framlengd upphenging getur valdið áverkum. Ef notandinn mun hanga í lengri tíma er mælt með því að einhvers konar sætisstuðningur sé notaður. 3M mælir með sætisplötu, upphengdu vinnusæti, sætisstroffu eða stól. Hafðu samband við 3M til að fá frekari upplýsingar um þessa hluti.
- **UMHVERFISHÆTTA:** Notkun þessa búnaðar á svæðum með umhverfishættu getur krafist viðbótarráðstafana til að koma í veg fyrir meiðsli á notendum eða skemmdir á búnaði. Hættur geta verið, en takmarkast ekki við: hár hiti, ætandi efni, ætandi umhverfi, háspennulínur, lofttegundir, vélbúnaður á hreyfingu og skarpar brúnir.
- **ÖRYGGISBELTI FYRIR UMHVERFI MEÐ HÁTT HITASTIG:** Öryggisbelti með Kevlar-efni eru hönnuð til notkunar í umhverfi með háu hitastigi, með takmörkunum: Kevlar-efni fer að brenna við 425 - 480 °C (800 - 900 °F). Kevlar-efni þolir takmarkaða snertingu við hitastig sem nemur allt að 535 °C (1 000 °F). Pólýesterefni tapar styrk sínum við 145 - 200 °C (300 - 400 °F). PVC-húðun á hörðum hlutum er með bræðslumark sem nemur um það bil 175 °C (350 °F).

Þörf kann að vera á tíðum skoðunum þó að PVC-húðaðir og sinkhúðaðir harðir hlutir séu með gott tæringarþol í efna-, síru-, alkalin- og umhverfisaðstæðum. Leitaðu upplýsinga hjá 3M ef þú efast um notkun búnaðarins í hættulegu umhverfi.

2.0 NOTKUN KERFIS

2.1 BJÖRGUNARÁÆTLUN: Vinnuveitandi verður að hafa sett upp björgunaráætlun, við notkun þessa búnaðar og samtengt undirkerfi og ráðstafanir við höndina til að framkvæma hana og miðla til notenda¹, aðila með leyfi² og björgunaraðila³.

2.2 TÍÐNI SKOÐANA: Líkamsöryggisbeltið þarf notandi að skoða fyrir sérhverja notkun⁴ og hæfur aðili, annar en notandinn, og má ekki líða meira en ár á milli skoðana⁵. Skoðunarferli er lýst í „Eftirlits- og viðhaldsskrá“ í notandahandbókinni. Niðurstöður skoðunar hæfs aðila þarf að skrá í afrit af „Eftirlits- og viðhaldsskrá“ eða í fjarskiptatíðnikerfinu (sjá „Eftirlit“).

Ef nauðsynlegt er samkvæmt 3M, sökum margbreytileika eða nýjungar búnaðarins, eða þegar þörf er á mikilvægri þekkingu við sundurhlutun, endursamsetningu eða mati á búnaðinum, skal 3M framkvæma reglubundið eftirlit eða aðilar eða fyrirtæki sem viðurkennd eru af 3M.

2.3 SAMHÆFI HLUTA: 3M búnaður er aðeins hannaður til notkunar með 3M-samþykktum hlutum og undirkerfum. Skiptingar eða endurnýjanir sem fara fram með hlutum eða undirkerfum sem eru ekki samþykkt geta komið í veg fyrir samhæfi búnaðar og geta haft áhrif á öryggi og áreiðanleika heildarkerfisins.

2.4 SAMHÆFI TENGJA: Tengji eru samhæf við tengihluta þegar þau hafa verið hönnuð til að vinna saman þannig að stærðir þeirra og lögun valda því ekki að hliðarbúnaður þeirra opnast fyrir slynsni, óháð því hvernig þau eru stillt. Hafðu samband við 3M ef þú hefur einhverjar spurningar um samhæfi. Tengji (krókar, karabínur og D-hringir) verða að geta stutt að minnsta kosti 22 kN (4 946 lbf). Tengji verða að vera samhæf festingunni eða öðrum kerfishlutum. Ekki nota búnað sem er ekki samhæfur. Tengji sem eru ósamhæf geta losnað fyrir slynsni (sjá mynd 5). Tengji verða að vera samhæf að stærð, lögun og styrkleika. Ef tengihluti sem smellukrókur (sýnt) eða karabína er fest við er of lítil eða óreglulegur að lögun gæti ástand komið upp þar sem tengihlutinn beitir afli á hlið smellukróks eða karabínu. Þetta afl getur valdið því að hliðið opnast og að smellukrókurinn eða karabínan losnar frá tengipunktinum. Þörf er á sjálf-læsandi smellukrókum og karabínum.

2.5 TENGING FRAMKVÆMD: Aðeins skal nota sjálf-læsandi smellukróka og karabínur með þessum búnaði. Notaðu aðeins tengi sem eiga við sérhverja notkun. Tryggðu að öll tengi séu samhæf að stærð, lögun og styrkleika. Ekki nota búnað sem er ekki samhæfur. Tryggðu að öll tengi séu lokað að fullu og læst.

Tengi 3M (smellukrókar og karabínur) eru aðeins ætluð til notkunar eins og tilgreint er í notkunarleiðbeiningum hvernar vöru. Á mynd 6 má sjá dæmi um ranga tengingu. Smellukróka og karabínur 3M ætti ekki að tengja:

- A. Við D-hring sem annað tengi er fest við.
- B. Á máta sem mundi orsaka álag á hliðið.
- C. Við falska tengingu, þegar hlutar sem standa úr smellukrók eða karabínur festast í festingunni, og án sýnilegrar staðfestingu og virðast vera að fullu fastir við festipunktinn.
- D. Við hvorn annan.
- E. Beint við belti eða dragreiði eða festingu (nema leiðbeiningar framleiðanda fyrir dragreiði og tengi heimili slíka tengingu).
- F. Við hlut sem er að lögun eða stærð þannig að smellukrókurinn eða karabínan lokast ekki og læsist, eða getur rúllað af.
- G. Á máta sem hindrar það að tengið samstillist rétt undir álagi.

2.6 TENGD UNDIRKERFI: Tengd undirkerfi (sjálf-inndraganleg líflína, dragreiði, kapalgrip og líflína, kapalslíf, o.s.frv.) verða að henta notkun þinni (sjá kafla 1.1). Sjá leiðbeiningar frá framleiðendum undirkerfa til að fá frekari upplýsingar. Sumar tegundir öryggisbeltá eru með tengipunkta með veflykkju. Ekki nota smellukróka til að tengja veflykkjur. Notaðu sjálf-læsandi karabínu til að tengja veflykkju. Tryggðu að karabína getir ekki skapað krossálag hliðs (álag við hlið í stað aðaláss karabínu). Ákveðin dragreiði eru hönnuð til að þrengjast yfir veflykkju og skapa samhæfa tengingu. Dragreiði má sauma beint á veflykkjuna til að mynda varanlega tengingu. Ekki gera margar tengingar á eina veflykkju nema tvö dragreiði séu þrengd á veflykkju af réttri stærð. Til að þrengja dragreiði á veflykkju (mynd 7): A) Settu veflykkju dragreiði í gegnum veflykkjuna eða D-hringinn á öryggisbeltinu. B) Settu viðeigandi enda dragreipisins í gegnum veflykkju dragreipis. C) Togaðu dragreiðið í gegnum tengda veflykkju til að festa það.

2.7 STÖÐUBÚNAÐUR DRAGREIPI: Mynd 8 sýnir stöðubúnað dragreipis. Stöðubúnaður dragreipis er ætlaður til að festa lausan enda dragreipis eða uppsettan sjálf-inndraganlegan búnað öryggisbeltis þegar hann er ekki tengdur við tengipunkt festingar vegna fallstöðvunar. Stöðubúnað dragreipis má aldrei nota sem fallstöðvunarbúnað á öryggisbeltinu til að tengja dragreiði eða sjálf-inndraganlegan búnað (A).

Þegar ótengdur fótur dragreipis er ekki tengdur við tengipunkt festingar þarf að koma honum í viðeigandi stöðu á öryggisbeltinu (B) eða í hönd notandans eins og í 100% tveggja fóta notkun (Tie-Off) (C). Frjálst hangandi fætur dragreipis (D) geta látið notandann hrasa eða farið í hluti í kring og orsakað fall.

1 Notandi: Aðili sem framkvæmir athafnir í hæð á meðan hann/hún nýtur verndar persónulegs fallstöðvunarkerfis.

2 Aðili með leyfi: Aðili sem er skipaður af vinnuveitanda til að fullnægja skyldum á vinnustað þar sem aðili getur verið í fallhættu.

3 Björgunaraðili: Aðili eða aðilar aðrir en sá sem skal bjarga, sem starfa við að framkvæma björgun með notkun björgunarkerfa.

4 Hæfur aðili: Aðili sem hefur getu til að bera kennsl á núverandi eða fyrirsjáanlega hættu í umhverfinu, eða bera kennsl á vinnuáðstæður sem eru óheilbrigðar, hættulegar eða ógna öryggi starfsmanna, og sem hefur umboð til að grípa til viðeigandi ráðstafana til að sneiða hjá hættunni.

5 Eftirlitstíðni: Erfiðar vinnuáðstæður (óblítt umhverfi, langvarandi notkun, o.s.frv.) geta haft í för með sér tíðari skoðun hæfs aðila.

3.0 NOTKUN ÖRYGGISBELTIS

3.1 **FYRIR HVERJA NOTKUN** þarf að skoða búnaðinn í samræmi við „Eftirlits- og viðhaldsskrá“ (tafla 1).

3.2 **SKIPULEGGÐU** kerfið fyrir notkun. Athugaðu alla þætti sem geta haft áhrif á öryggi þitt við notkun þessa búnaðar. Eftirfarandi listi sýnir mikilvæg íhugunarefni þegar kerfið er skipulagt:

- **Festingar:** Veldu festingu sem getur staðist kyrrstöðubungakröfur fyrirhugaðs fallvarnarbúnaðar (sjá kafla 1.1). Staðsetning festingar ætti að taka mið af frjálsum falli, viðeigandi plássi til að falla, sveiflufalli og umhverfistakmörkunum sem lýst er í kafla 1.4.
- **Skarpar brúnir:** Forðastu að starfa þar sem íhlutir kerfisins geta komist í snertingu við óvarðar skarpar brúnir.
- **Ef fall hefur átt sér stað:** Fjarlægja þarf hluti úr íhluti úr notkun og eyða þeim ef þeir hafa orðið fyrir kröftum sem stöðva fall.
- **Björgun:** Vinnuveitandi verður að hafa sett upp björgunarátætlun, við notkun þessa búnaðar. Vinnuveitandi verður að geta framkvæmt björgun hratt og örugglega.
- **Björgunaröryggisbelti:** Björgunaröryggisbelti (EN 1497) skal nota við hefðbundna vinnu. Áður en björgunartengibúnaður er notaður í fyrsta sinn skal notandinn framkvæma prófun í öruggum aðstæðum til að tryggja að öryggisbeltið sé af réttri stærð og sé þægilegt við upphengingu.
- **Festingarbúnaður:** Hafið ávallt í huga nauðsyn þess að nota fallvarnarkerfi fyrir hvern einstakling (t.d. fallstöðvunarkerfi) þegar festingarbúnaður er notaður. Notaðu alltaf akkerispunkt sem er staðsettur á eða yfir mitti.

3.3 **SYLGJUR:** Líkamsbeisli eru búin ýmsum sylgjum til festingar og stillingu á lærisólum og brjóstkassaólum. Líkamsöryggisbelti eru með tungusylgju. Sylgjutegundir öryggisbeltis þíns má sjá á mynd 1. Mynd 9 sýnir notkun hverrar af eftirfarandi sylgjum:

1. Hraðtengisylgjur:

- A. Þegar hraðtengisylgjur eru spenntar fer það fram með því að setja flipann inn í móttengið þangað til heyrst smellur.
- B. Til að stilla tengda beltisól: Togaðu beltisólina áfram og afturábak í gegnum sylgjuraufina til að herða eða losa.
- C. Til að losa hraðtengisylgju: Þrýstu á læsinguna báðum megin á móttenginu. Togaðu flipann úr móttenginu.

2. Gegnsylgjur:

- A. Settu karlsylgjuna í gegnum raufina í kvensylgjurni.
- B. Hertu frjálsum ólina þannig að karlsylgjan flútti við kvensylgjuna. Festu frjálsum ólina í sylgjulokaranum.

3.4 **STILLINGAR:** Öryggisbelti eru búin pari af búks-stillihnöppum svo hægt sé að stilla axlarólarnar. Á mynd 10 er hægt að sjá stillingu á búks-stillihnöppum.

1. **Fallhlífarbúks-stillihnaðar:** Til að stilla axlarólur með fallhlífarbúks-stillihnöppum:

- A. Togaðu í frjálsum ólina til að herða axlarólina. Til að losa axlarólina, togaðu í frjálsum ólina og settu síðan ólina aftur í gegnum fallhlífarstillihnaðarinn.
- B. Eftir rétta stillingu skal festa frjálsum ólina í ólalokaranum.

Ef stjórnun á velcro vefnum (sjá mynd 11) er til staðar, rúllaðu ókeypis vefbeltinu aftur þar til hún er þétt (A), tengdu velcro röndin aftur yfir ólina og festu röndin (B). Gakktu úr skugga um að rúllan sé þétt og að ólarinn sé færður nálægt rúllunni (C).

3.5 **AÐ FARA Í OG FESTA LÍKAMSÖRYGGISBELTIÐ:** Mynd 13 sýnir hvernig farið er í líkamsöryggisbeltið og það fest. Fyrir hverja notkun skal skoða hvert öryggisbelti með því að notast við gátlistann í „Eftirlits- og viðhaldsskránni (tafla 1)“. Að fara í og festa öryggisbeltið:

Verklag fyrir festingu og stillingu óla öryggisbeltis er mismunandi eftir tegundum öryggisbeltis. Frekari upplýsingar má finna í köflum 3.3 til 3.4 og myndum 9 til 10.

1. Lyftu upp og haltu öryggisbeltinu með aftari D-hring. Gæta skal að því að engin flækja eða snúningur sé á ólunum.
2. Taktu í axlarólarnar og renndu öryggisbeltinu upp á annan handlegginn. D-hringurinn á að vera staðsettur á bakinu. Tryggðu að ólarnar séu ekki flæktar og hangi frjálssar niður. Renndu lausa handleggnum inn í öryggisbeltið og komdu axlarólunum fyrir efst á öxlunum. Brjóstkassaólin og brjóstkassasylgjan á að vera staðsett á framhliðinni, sé farið rétt með búnaðinn.
3. Teygðu handleggina á milli fótanna og gríptu í vinstri lærisólina. Togaðu ólina upp á milli fótanna og stingdu inn í samsvarandi sylgju vinstra megin og stilltu lærisólina þannig að hún liggja vel (upplýsingar um notkun sylgju eru að finna í kafla 3.3). Eftir stillingu skal koma lausa enda lærisólur fyrir undir ólalokaranum. Endurtaktu þetta ferli til að festa og stilla vinstri lærisólina.
4. Stilltu mittisbeltið með mjaðmarsylgju ef til staðar er. (kafla 3.3 inniheldur upplýsingar um notkun mjaðmarsylgju).
5. Festtu og stilltu brjóstkassaólina (upplýsingar um notkun sylgju er að finna í kafla 3.3). Brjóstkassaólin á að vera 15 cm (6 in) neðar en hæsti hluti axlar þinnar. Eftir stillingu skal koma lausa enda brjóstkassaólar fyrir undir ólalokaranum.
6. Stilltu axlarólur þannig að þær liggja vel á búks-stillihnöppum (upplýsingar um notkun búks-stillihnaðars er að finna í kafla 3.4). Stilla skal vinstri og hægri hliðar axlarólanna þannig að þær séu jafnlangar og brjóstkassaólina skal staðsetja á neðri hluta brjóstkassans, 15 cm (6 in) fyrir neðan axlir. Aftari D-hringurinn á að vera á milli herðablaðanna. Fremri D-hringurinn, ef til staðar er, ætti að vera staðsettur á breiddina innan 5 cm (2 in) frá látréttri miðlínu öryggisbeltisins.

Athugaðu reglulega festingar og aðlögunarhluta meðan á notkun stendur.

- 3.6 NOTKUN D-HRINGS SEM STÖÐVAR FALL EÐA ANNARS TENGIBÚNAÐAR:** Akkerapunkta fyrir frjálst fall eru merktir með hástöfum "A". Þegar bæta skal við tækjabúnaði sem stöðvar fall, skal tengja hann við aftari D-hring eða festingar á baki, á milli herðablaðanna, eða Fremri D-hringur viðhengi þáttur á brjósti þínu. Hliðar D-hringir, ef til staðar eru, eru einungis til staðsetningar eða stuðnings, ef þörf krefur. Axlartengibúnaður er aðeins til björgunar og endurheimtar. Fremri D-hringur er fyrir klifur á stiga eða staðsetningu. D-hringir á sæti eru aðeins upphengingar eða staðsetningar. (Sjá kafla 1.1.).
- 3.7 TENGINGAR:** Þegar krókur er tengdur við akkerisfestingu, eða þegar verið er að tengja saman einstaka íhluti kerfisins, skal tryggja að engar tengingar geti losnað. Tengingar losna þegar núningur á milli króksins og tengisins veldur því að krókfestingin opnast óvart og losnar. Nota skal sjálf-læsandi smellikróka og karabínur til að draga úr þessari hættu. Ekki skal nota króka eða tengi sem lokast ekki algjörlega þegar þau eru tengd við festingar. Sjá leiðbeiningar frá framleiðendum undirkerfa til að fá frekari upplýsingar um hvernig ganga skal frá tengingum.
- 3.8 TENING VIÐ AÐRA HLUTA KERFISINS:** Eftir að hafa fest öryggisbeltið rétt getur notandinn tengt öryggisbeltið við aðra hluta kerfisins. Fylgdu leiðbeiningunum í kafla 2 og leiðbeiningunum framleiðanda sem fylgja íhlutinum.

4.0 EFTIRLIT

- 4.1 EFTIRLITSTÍÐNI:** Eftirlit með líkamsöryggisbeltinu þarf að eiga sér stað á samkvæmt tíðni sem skilgreind er í kafla 2.2. Eftirlitsferli er lýst í „Eftirlits- og viðhaldsskrá“ (tafla 1).
- 4.2 GALLAR:** Ef gallar koma í ljós við eftirlit skal fjarlægja öryggisbeltið umsvifalaust og farga því.
- 4.3 LÍFTÍMI VÖRU:** Líftími öryggisbeltis ræðst af vinnuaðstæðum og viðhaldi. Hámarkslíftími getur verið frá 1 ári við mikla notkun í öfgakennendum aðstæðum til 10 ára ef notkun er lítil og aðstæður eru vægar. Nota má áfram vöruna svo lengi sem hún stenst eftirlitsviðmið í allt að 10 ár.

5.0 VIÐHALD, ÞJÓNUSTA OG GEYMSLA

Ekki hreinsa eða sótthreinsa vöruna með neinni annarri aðferð en lýst er í eftirfarandi hreinsunarleiðbeiningum. Aðrar aðferðir geta haft skaðleg áhrif á vöruna eða notandann.

- 5.1 HREINSUN:** Hreinsa skal 3M-fallvarnarbelti í samræmi við leiðbeiningar frá 3M. Hreinsið beltið með því að þvo það með mildu þvottaefni án bleikiefnis og skola það síðan. Hengið svo beltið til þerris. Vatn til hreinsunar og loft til þurrkunar skal aldrei vera heitara en 54,4°C. Frekari upplýsingar má finna í tæknilýkynningunni á vefsvæði okkar: <http://www.3M.com/FallProtection/WebCleaning>

Tækniþjónusta 3M svarar öllum spurningum um hreinsunaraðferðir.

- 5.2 VIÐHALD:** Ekki er hægt að gera við líkamsöryggisbelti. Ef beltið hefur orðið fyrir höggi eða við eftirlit kemur í ljós óöruggt eða gallað ástand skal fjarlægja öryggisbeltið umsvifalaust og farga því.
- 5.3 GEYMSLA OG FLUTNINGUR:** Geymsla og flutningur líkams-öryggisbeltisins skal vera á köldum, þurrum og hreinum stað fjarri beinu sólarljósi. Forðastu svæði þar sem efnagufur geta verið til staðar. Skoðuðu vandlega öryggisbeltið eftir langa geymslu.

6.0 MERKINGAR

Mynd 14 sýnir vörumerkingar og staðsetningar þeirra á líkamsöryggisbeltinu. Allar merkingar þurfa að vera til staðar og að fullu læsilegar.

Upplýsingar á hverri merkingu eru eftirfarandi:

1	(A) Akkeripunktur fyrir handtöku, merktur með hástöfum "A" (B) Merki staðsetning
2	(A) Eftirlitsskrá (B) Raðnúmer (C) Upphafleg (D) Dagsetning (E) Ekki fjarlægja þessa merkingu.
3	(A) Merking fyrir notandaupplýsingar
4	(A) Raðnúmer (B) Framleiðslumánuður (C) Framleiðsluár (D) Lotunúmer (E) Gerð númer (F) Evrópskur staðall (G) Geta (H) Stærð (I) Sjá leiðbeiningar (J) CE-merki (K) Fjöldi tilkynnta stofa sem framkvæma samræmi við tegund (L) Stærð líkamsbeltis

INFORMAZIONI SULLA SICUREZZA

Leggere, comprendere e seguire tutte le informazioni sulla sicurezza contenute nelle presenti istruzioni prima di utilizzare questa imbracatura integrale. IL MANCATO RISPETTO DELLE ISTRUZIONI PUÒ CAUSARE GRAVI LESIONI PERSONALI O MORTE.

Fornire le presenti istruzioni all'utente dell'attrezzatura. Conservare queste istruzioni come riferimento in futuro.

Usò previsto:

Questa imbracatura integrale deve essere utilizzata come parte di un sistema di protezione anticaduta personale completo.

L'utilizzo per qualsiasi altra applicazione incluse, ma non solo, manipolazione di materiale, attività correlate ricreative o sportive oppure altre attività non descritte nelle istruzioni per l'utente, non è approvato da 3M e può causare gravi lesioni personali o morte.

Il presente dispositivo deve essere utilizzato esclusivamente da utenti addestrati nelle applicazioni relative all'ambito di lavoro.



AVVERTENZA

Questa imbracatura integrale fa parte di un sistema di protezione anticaduta personale. Si prevede, pertanto, che tutti gli utenti siano completamente addestrati all'installazione e al funzionamento sicuri del loro sistema di protezione anticaduta personale. **L'uso improprio del presente dispositivo può comportare gravi lesioni personali o morte.** Per le modalità corrette di selezione, funzionamento, installazione, manutenzione e assistenza, consultare le presenti istruzioni per l'utente e tutte le raccomandazioni fornite dal produttore; altrimenti rivolgersi al proprio supervisore o contattare l'assistenza tecnica di 3M.

- **Per ridurre i rischi associati all'utilizzo di un'imbracatura integrale che, se non evitati, potrebbero causare gravi lesioni personali o morte:**
 - Ispezionare il dispositivo prima di ogni uso, almeno una volta all'anno, e dopo qualsiasi evento di caduta. Le ispezioni devono essere eseguite conformemente a quanto indicato nelle istruzioni per l'utente.
 - Se l'ispezione rivela una condizione pericolosa o difettosa, mettere l'attrezzatura fuori servizio e distruggerla.
 - Ogni dispositivo che è stato sottoposto all'arresto di una caduta o a una forza d'impatto devono essere immediatamente messo fuori servizio e distrutto.
 - Assicurarsi che l'imbracatura sia indossata correttamente, della taglia giusta e regolata in maniera idonea.
 - Assicurarsi che tutti i sottosistemi di collegamento (per es., i cordini) siano esenti da situazioni di pericolo, inclusi, ma non solo, l'aggrovigliamento con altri operatori, se stessi, macchinari in movimenti o altri oggetti circostanti.
 - Assicurarsi che i sistemi/sottosistemi di protezione anticaduta assemblati con componenti realizzati da produttori diversi siano compatibili e soddisfino i requisiti degli standard applicabili, inclusi ANSI Z359 o altri codici, standard o requisiti relativi alla protezione anticaduta pertinenti. Consultare sempre una persona competente o qualificata prima di utilizzare questi sistemi.
- **Per ridurre i rischi associati al lavoro in altezza che, se non evitati, potrebbero causare gravi lesioni personali o morte:**
 - Assicurarsi che le proprie condizioni fisiche e di salute permettano una resistenza in completa sicurezza a tutte le forze associate al lavoro in altezza. Consultare il proprio medico in caso di domande relative alla propria capacità d'uso di questa attrezzatura.
 - Non superare mai la capacità consentita della propria attrezzatura di protezione anticaduta.
 - Non superare mai la distanza massima di caduta libera della propria attrezzatura di protezione anticaduta.
 - Non utilizzare mai un'attrezzatura di protezione anticaduta che non abbia superato l'ispezione prima dell'uso o altri controlli programmati oppure in caso di dubbi sull'uso o sull'idoneità dell'attrezzatura in merito all'applicazione. Per eventuali domande, contattare l'assistenza tecnica di 3M.
 - Alcune combinazioni di sottosistemi e componenti potrebbero compromettere il funzionamento di questa attrezzatura. Utilizzare solo collegamenti compatibili. Consultare 3M prima di utilizzare questa attrezzatura in combinazione con componenti o sottosistemi diversi da quelli descritti nelle presenti istruzioni per l'utente.
 - Prestare particolare attenzione in presenza di macchinari in movimento (ad es., il top drive delle torri di perforazione), rischi di carattere elettrico, temperature estreme, rischi di carattere chimico, gas esplosivi o tossici, bordi taglienti oppure sostare al di sotto di materiali sospesi che potrebbero cadere sull'utente o sulla sua attrezzatura di protezione anticaduta.
 - Utilizzare dispositivi Arc Flash o Hot Works quando si lavora in ambienti che presentano temperature elevate.
 - Evitare superfici e oggetti che possano danneggiare l'utente o l'attrezzatura.
 - Durante il lavoro in altezza assicurarsi che ci sia un tirante d'aria di caduta adeguato.
 - Non modificare o alterare mai la propria attrezzatura di protezione anticaduta. Solo 3M o centri con autorizzazione scritta di 3M possono procedere alla riparazione dell'attrezzatura.
 - Prima di utilizzare l'attrezzatura di protezione anticaduta, assicurarsi che esista un piano di salvataggio che permetta il soccorso repentino nel caso in cui si verifichi un evento di caduta.
 - In caso di un evento di caduta, fare in modo che il lavoratore caduto sia sottoposto immediatamente alle cure di un medico.
 - Non utilizzare una cintura in vita per applicazioni di arresto caduta. Utilizzare esclusivamente un'imbracatura integrale.
 - Ridurre al minimo le cadute con pendolo lavorando il più possibile direttamente sotto il punto di ancoraggio.
 - Durante la formazione con questo dispositivo, deve essere utilizzato un sistema di protezione anticaduta secondario in modo da non esporre l'utente a un pericolo di caduta involontario.
 - Quando si installa, utilizza o ispeziona il dispositivo/sistema, indossare sempre i dispositivi di protezione individuale idonei.

Prima di utilizzare l'attrezzatura, registrare le informazioni di identificazione del prodotto dall'etichetta identificativa nel "Registro di ispezione e manutenzione" che si trova sul retro del presente manuale.

Assicurarsi sempre di utilizzare l'ultima revisione del manuale di istruzioni 3M. Visitare il sito Web 3M o contattare l'assistenza tecnica 3M per i manuali di istruzioni aggiornati.

DESCRIZIONE

Nella Figura 1 sono illustrati i modelli di imbracatura completa 3M™ Protecta®. I modelli di imbracatura sono disponibili con varie combinazioni delle seguenti caratteristiche:

	Figura di riferimento 1:	Descrizione:
Dimensioni	S, M/L, XL	Small, Medium/Large, Extra Large
	Ⓑ	Dimensioni della cintura del corpo in cm
Elementi di aggancio	①	Attacco dorsale a D
	②	Anello a D sternale
	③	Anelli a D sui fianchi
	④	Attacco dorsale
Fibbie	⑤	Fibbie ad aggancio rapido
	⑥	Fibbie passanti
Regolatori	⑦	Regolatori per il busto del paracadute
Imbottiture	⑧	Cintura e imbottitura sui fianchi
	⑨	Imbottitura cosciale
Caratteristiche aggiuntive	⑩	Passanti automatici anticaduta per cordino
	⑪	Gestione estremità della nastro tessile - Vedere Figura 11
	⑫	Cintura di salvataggio
	⑬	Anello strumento

SPECIFICHE

Prestazioni:	
Forza di arresto massima:	6 kN (1 349 lbf)
Capacità:	140 kg (310 lb.)
Temperatura di esercizio:	Minimo: -35 °C (-31 °F) Massima: +57 °C (135 °F)

Materiali:	
Nastro tessile	Poliestere - 22 kN (4 946 lbf) di resistenza alla trazione
Coperture dell'imbottitura	Miscela di nylon e poliestere
Copertura dell'etichetta	Miscela di nylon e poliestere
Filatura	Filatura in poliestere su nastro tessile in poliestere
Anelli a D	Legha di acciaio - 22 kN (4 946 lbf) di resistenza alla trazione
Fibbie ad aggancio rapido	Acciaio, acciaio inossidabile e lega di acciaio - 18 kN (4 047 lbf) di resistenza alla trazione
Fibbie passanti	Legha di acciaio - 18 kN (4 047 lbf) di resistenza alla trazione
Regolatori per il busto del paracadute	Legha di acciaio - 18 kN (4 047 lbf) di resistenza alla trazione

1.0 APPLICAZIONI

1.1 FINALITÀ: le imbracature complete devono essere utilizzate come componenti nel sistema di protezione anticaduta personale concepito per prevenire una caduta o arrestare una caduta in piena sicurezza (vedere Figura 2). Le imbracature complete sono utilizzate nelle seguenti applicazioni:

(A)	Arresto caduta (EN360, EN361, EN355): i sistemi d'arresto caduta personali comprendono in genere un'imbracatura completa e un sottosistema di connessione (cordino con assorbitore d'energia, dispositivo anticaduta retrattile, ecc.). La forza d'arresto massima non deve essere superiore a 6 kN (1 349 lbf). <i>Forza dell'ancoraggio:</i> l'elemento di ancoraggio selezionato deve essere in grado di sopportare carichi di 12 kN (2 698 lbf) o superiori.
(B)	Posizionamento sul lavoro (EN358, EN813): i sistemi di posizionamento sul lavoro comprendono in genere un'imbracatura completa, un cordino di posizionamento e un sistema d'arresto caduta personale di riserva. Per applicazioni di posizionamento sul lavoro, collegare il sottosistema di posizionamento sul lavoro (ad es. cordino, cordino a Y, ecc.) alla parte inferiore (al livello dell'anca) o agli elementi di ancoraggio dei sistemi di fissaggio del posizionamento di lavoro montati con cintura (anelli a D). Non utilizzare mai questi punti di collegamento per arresto caduta. <i>Elementi di aggancio:</i> frontale, fianco. <i>Forza dell'ancoraggio:</i> l'elemento di ancoraggio selezionato deve essere in grado di sopportare carichi di 12 kN (2 698 lbf) o superiori.
(C)	Salita (EN353-1): l'imbracatura completa è utilizzata come componente di un sistema di salita, al fine di prevenire la caduta dell'operatore mentre sale su una scala o altra struttura. I sistemi di salita comprendono in genere un'imbracatura completa, un cavo verticale o un montante fissato alla struttura e un manicotto per la salita. Per le applicazioni di salita su scala, l'imbracatura dotata di un anello a D sternale in posizione sternale può essere utilizzata come protezione di arresto caduta sui sistemi di salita su scale fisse. <i>Elementi di aggancio:</i> sternale. <i>Forza dell'ancoraggio:</i> la struttura su cui è fissato il sistema di salita deve essere in grado di sopportare i carichi secondo i requisiti specificati nella documentazione del produttore.
(D)	Salvataggio (EN1496, EN1497, EN1498): l'imbracatura completa è utilizzata come componente di un sistema di salvataggio. I sistemi di salvataggio sono configurati in base al tipo di salvataggio. Per le applicazioni in spazi ristretti e limitati, è possibile utilizzare le imbracature con anelli a D sulle spalle per l'entrata e l'uscita da spazi confinati dove l'ingombro del lavoratore è un problema. <i>Elementi di aggancio:</i> dorsale, sternale, anteriore, posteriore. <i>Forza dell'ancoraggio:</i> l'elemento di ancoraggio selezionato deve essere in grado di sopportare carichi di 12 kN (2 698 lbf) o superiori.
(E)	Discesa controllata (EN341): per le applicazioni di discesa controllata, l'imbracatura dotata di un singolo anello a D a livello dello sterno, singolo o doppio anello a D anteriore o una coppia di connettori al di sotto della vita (come una fettuccia) può essere utilizzata per la connessione a un sistema di discesa o di evacuazione. <i>Elementi di aggancio:</i> sternale, dorsale, anteriore. <i>Forza dell'ancoraggio:</i> gli elementi di ancoraggio selezionati devono essere in grado di sopportare carichi di 12 kN (2 698 lbf) o superiori.
(F)	Trattenuta (EN354): l'imbracatura completa è utilizzata come componente di un sistema di trattenuta al fine di scongiurare ogni pericolo di caduta. I sistemi di ritenuta comprendono in genere un'imbracatura completa e un cordino o una fune di trattenuta. <i>Elementi di aggancio:</i> dorsale, sternale, anteriore, laterale. <i>Forza dell'ancoraggio:</i> l'elemento di ancoraggio selezionato deve essere in grado di sopportare carichi almeno 18 kN (4 047 lbf) quando i cordini comprendono qualsiasi materiale tessile o elementi di cordino tessile, ad es. vengono utilizzate corde o cinghie in fibra sintetica. Quando vengono utilizzati cordini realizzati interamente con elementi metallici, l'ancoraggio deve sostenere carichi di almeno 12 kN (2 698 lbf).

1.2 STANDARD: le imbracature descritte in questo manuale sono conformi agli standard specificati sulla copertina del presente manuale. Se il prodotto viene rivenduto al di fuori del Paese di destinazione originario, il rivenditore dovrà fornire le presenti istruzioni nella lingua del Paese in cui dovrà essere utilizzato il prodotto.

1.3 FORMAZIONE: è responsabilità dell'utente e dell'acquirente dell'attrezzatura assicurarsi di avere dimestichezza con queste istruzioni, di conoscere correttamente le procedure di uso e manutenzione e di essere consapevoli delle caratteristiche di funzionamento, dei limiti di applicazione e delle conseguenze di un uso improprio.

1.4 LIMITAZIONI: prima di utilizzare questa attrezzatura è opportuno considerare le seguenti limitazioni:

- **CAPACITÀ:** l'imbracatura completa è concepita per essere utilizzata da persone con un peso combinato (abbigliamento, utensili, ecc.) inferiore ai 140 kg (309 lb.). Verificare che tutti i componenti del sistema siano stati omologati per sostenere una capacità conforme all'applicazione.
- **CADUTA LIBERA:** Un sistema di arresto caduta include elementi o funzioni di assorbimento di energia per garantire che le forze di impatto sul corpo dell'utente durante l'arresto di una caduta libera siano limitate a un massimo di 6 kN (1 349 lbf). È necessario equipaggiare i sistemi di ritenuta in modo da impedire la caduta libera in verticale. È necessario equipaggiare i sistemi di posizionamento sul lavoro in modo che la caduta libera sia limitata a 60 cm (24 in.) o meno. È necessario equipaggiare i sistemi individuali in modo da impedire la caduta libera in verticale. È necessario equipaggiare i sistemi di salvataggio in modo da impedire la caduta libera in verticale. Per ulteriori informazioni, consultare le istruzioni del produttore del sottosistema.
- **TIRANTE D'ARIA DI CADUTA:** la Figura 3 illustra i componenti di un sistema d'arresto caduta. Deve essere presente un tirante d'aria di caduta sufficiente per arrestare una caduta prima che l'operatore tocchi il terreno o altri impedimenti. Il tirante d'aria è influenzato da numerosi fattori tra cui: (A) lunghezza del cordino, (B) distanza di decelerazione del cordino o distanza massima di arresto del dispositivo anticaduta retrattile, (C) cedimento dell'imbracatura e anello a D/lunghezza del connettore e assestamento (in genere un fattore di sicurezza di 0,5 m (1,6 ft.)). Fare riferimento al manuale fornito con il cordino o il dispositivo anticaduta retrattile per le specifiche relative al calcolo del tirante d'aria di caduta.
- **CADUTE CON PENDOLO:** le cadute con pendolo si verificano quando il punto di ancoraggio non è esattamente al di sopra del punto in cui si verifica la caduta (vedere la Figura 4). Durante una caduta con pendolo, la forza d'urto contro un oggetto può causare gravi lesioni o decesso. Ridurre al minimo le cadute con pendolo lavorando il più possibile direttamente sotto il punto di ancoraggio. Per evitare lesioni, prevenire le cadute con pendolo. In caso di uso di un dispositivo anticaduta retrattile o di altri sottosistemi di connessione a lunghezza variabile, le cadute con pendolo necessitano di un tirante d'aria significativamente maggiore.
- **SOSPENSIONE PROLUNGATA E TRAUMA DA SOSPENSIONE:** un'imbracatura integrale non è destinata all'impiego in applicazioni di sospensione prolungata. La sospensione prolungata può causare trauma da sospensione. Se l'operatore rimarrà in sospensione per un lungo periodo di tempo, si consiglia di utilizzare un sedile incorporato nei cosciali. 3M raccomanda l'uso di seggiolino rigido, sedile da lavoro in quota, fettuccia di sospensione o altro supporto idoneo. Contattare 3M per ulteriori informazioni su questi articoli.
- **PERICOLI AMBIENTALI:** l'utilizzo dell'attrezzatura in aree con rischi ambientali può richiedere ulteriori precauzioni per prevenire lesioni all'utente o danneggiamenti all'attrezzatura. I pericoli possono comprendere, a titolo indicativo: calore, sostanze chimiche, ambienti corrosivi, linee ad alta tensione, gas, macchinari in movimento e bordi affilati.
- **IMBRACATURE PER AMBIENTI CON TEMPERATURE ELEVATE:** le imbracature con nastro tessile in Kevlar sono concepite per l'uso in ambienti con temperature elevate, secondo le seguenti limitazioni: il nastro tessile in Kevlar inizia a carbonizzarsi a temperature comprese tra i 425 - 480 °C (800 - 900 °F). Il nastro tessile in Kevlar è in

grado di resistere all'esposizione con contatto limitato a temperature massime di 535 °C (1 000 °F). Il nastro tessile in poliestere perde resistenza tra i 145 - 200 °C (300 - 400 °F). Il rivestimento in PVC sui componenti metallici presenta un punto di fusione di circa 175 °C (350 °F).

Anche se i componenti metallici zincati o rivestiti in PVC presentano eccellenti proprietà anticorrosive in presenza di agenti chimici, acidi, alcalini e atmosferici, occorre eseguire frequenti ispezioni. Contattare 3M in caso di dubbi sull'utilizzo di questa attrezzatura in ambienti pericolosi.

2.0 UTILIZZO DEL SISTEMA

2.1 PIANO DI SALVATAGGIO: durante l'utilizzo della presente attrezzatura e dei sottosistemi di connessione, il responsabile deve disporre di un piano di salvataggio, nonché dei mezzi per implementarlo e comunicarlo a utenti¹, persone autorizzate² e soccorritori³.

2.2 FREQUENZA DELLE ISPEZIONI: l'imbracatura completa deve essere ispezionata dall'operatore prima di ciascun utilizzo e da una persona competente⁴ diversa dall'operatore, almeno una volta l'anno⁵. Le procedure d'ispezione sono descritte nel "Registro di ispezione e manutenzione" del Manuale di istruzioni per l'utente. I risultati di ciascuna ispezione condotta dalla persona competente devono essere registrati su copie del "Registro di ispezione e manutenzione" o tramite il sistema di identificazione a radiofrequenza (vedere la sezione "Ispezione").

Qualora richiesto da 3M, a causa delle complessità o innovazioni dell'attrezzatura; o qualora fossero necessarie conoscenze specifiche per lo smontaggio, il riassetto o la valutazione dell'attrezzatura, l'esecuzione di esami periodici è consentita solo a 3M o a persone o organizzazioni autorizzate da 3M.

2.3 COMPATIBILITÀ DEI COMPONENTI: l'attrezzatura 3M è progettata solo per l'utilizzo con componenti e sottosistemi approvati da 3M. Eventuali sostituzioni con componenti o sottosistemi non approvati potrebbero compromettere la compatibilità delle apparecchiature e la sicurezza, nonché l'affidabilità di tutto il sistema.

2.4 COMPATIBILITÀ DEI CONNETTORI: i connettori sono compatibili con gli elementi di collegamento quando sono progettati per essere utilizzati in modo che le rispettive forme e dimensioni non causino l'apertura involontaria dei meccanismi di chiusura, indipendentemente dal modo in cui si orientano. In caso di dubbi sulla compatibilità, contattare 3M. I connettori (ganci, moschettoni e anelli a D) devono essere in grado di sopportare almeno 22 kN (4 946 lbf). I connettori devono essere compatibili con l'ancoraggio o altri componenti del sistema. Non utilizzare attrezzature non compatibili. I connettori non compatibili potrebbero sganciarsi involontariamente (vedere la Figura 5). I connettori devono essere compatibili per dimensioni, forma e potenza. Se l'elemento di collegamento a cui è agganciato un gancio a scatto (in figura) o un moschettone ha una forma irregolare o le dimensioni sono inferiori a quanto necessario, l'elemento di collegamento potrebbe applicare una forza al dispositivo di chiusura del gancio a scatto o del moschettone. Questa forza potrebbe indurre l'apertura del dispositivo di chiusura e, di conseguenza, il gancio a scatto o il moschettone potrebbe sganciarsi dal punto di collegamento. I ganci a scatto e i moschettoni autobloccanti sono obbligatori.

2.5 REALIZZAZIONE DEI COLLEGAMENTI: utilizzare esclusivamente ganci a scatto e moschettoni autobloccanti con questa attrezzatura. Utilizzare solo connettori adatti per ogni applicazione. Assicurarsi che i connettori siano di dimensioni, forma e resistenza compatibili. Non utilizzare attrezzature non compatibili. Assicurarsi che tutti i connettori siano completamente chiusi e bloccati.

I connettori 3M (ganci a scatto e moschettoni) sono progettati solo per l'utilizzo specificato nelle istruzioni per l'utente di ciascun prodotto. Nella Figura 6 sono illustrati i connettori non appropriati. Non collegare i ganci a scatto e i moschettoni 3M:

- A. A un anello a D a cui è collegato un altro connettore.
- B. In modo tale da indurre un carico sul dispositivo di chiusura.
- C. In un falso aggancio, dove gli elementi che sporgono dal gancio a scatto o dal moschettone si agganciano al sistema di ancoraggio e senza conferma visiva che attestino il completo aggancio al punto di ancoraggio.
- D. Uno all'altro.
- E. Direttamente al cordino con fune o con nastro tessile o con collegamento diretto, a meno che le istruzioni del produttore relative al cordino e al connettore non consentano specificatamente tale collegamento.
- F. A qualsiasi oggetto di forma o dimensione tale da impedire la chiusura e il blocco del gancio a scatto o del moschettone o da causare lo sganciamento.
- G. In un modo che non consenta al connettore di allinearsi correttamente quando sotto carica.

2.6 SOTTOSISTEMI DI COLLEGAMENTO: i sottosistemi di collegamento (dispositivo anticaduta retrattile, cordino, sistema anticaduta scorrevole e fune dispositivo, manicotto per cavo, ecc.) devono essere adatti per una specifica applicazione (vedere la Sezione 1.1). Per ulteriori informazioni, consultare il manuale del produttore del sottosistema. Alcuni modelli di imbracatura presentano punti di collegamento dell'asola di nastro tessile. Non utilizzare ganci a scatto per i collegamenti con le asole di nastro tessile. Utilizzare un moschettone autobloccante per i collegamenti con le asole di nastro tessile. Assicurarsi che il carico non ricada sulla ghiera di chiusura del moschettone (carico contro l'attacco piuttosto che lungo l'asse principale del moschettone). Alcuni cordini sono progettati per essere serrati su un'asola di nastro tessile per fornire un collegamento compatibile. I cordini possono essere cuciti direttamente sull'asola di nastro tessile per formare un collegamento permanente. Non effettuare molteplici collegamenti su un'asola di nastro tessile, a meno che non si serrino due cordini su un'asola di nastro tessile regolata in modo appropriato. Per serrare un cordino su un'asola di nastro tessile (Figura 7): A) Inserire l'asola di nastro tessile con cordino nell'asola di nastro tessile o nell'anello a D presente sull'imbracatura. B) Far passare l'estremità appropriata del cordino attraverso l'asola di nastro tessile. C) Tirare il cordino attraverso l'asola di nastro tessile per fissare.

2.7 FERMA CORDINO: nella Figura 8 viene illustrato il ferma cordino. L'attacco per ferma cordino serve ad agganciare il capo libero di un cordino o dispositivo anticaduta retrattile montato sull'imbracatura quando non è collegato a un punto di collegamento di ancoraggio per operazioni di protezione anticaduta. Gli attacchi per ferma cordino non devono mai essere utilizzati come elemento di aggancio per operazioni di protezione anticaduta sull'imbracatura per collegare un cordino o dispositivo anticaduta retrattile (A).

Quando non sono collegati a un punto di collegamento di ancoraggio, una gamba del cordino slegata deve essere correttamente posizionata sull'imbracatura (B) o assicurata nella mano dell'utente come nelle applicazioni di trattenuta al 100% (Tie-Off) (C). Le forcelle del cordino libere sospese (D) possono far inciampare l'utente o impigliarsi negli oggetti circostanti causando una caduta.

1 Utente: persona che esegue attività in quota equipaggiato con un sistema di protezione anticaduta personale.

2 Persona autorizzata: una persona incaricata dal datore di lavoro di svolgere delle mansioni in un luogo in cui la persona sarà esposta a pericolo di caduta.

3 Soccorritore: persona o persone diverse dal soggetto a rischio che agiscono per compiere un salvataggio assistito tramite il funzionamento di un sistema di salvataggio.

4 Persona competente: persona in grado di individuare i rischi esistenti e prevedibili nell'ambiente circostante o condizioni di lavoro malsane, rischiose o pericolose per i dipendenti, autorizzata a prendere immediati provvedimenti per porvi rimedio.

5 Frequenza delle ispezioni: condizioni di lavoro estreme (ambienti proibitivi, uso prolungato e così via) possono richiedere un incremento nella frequenza dei controlli da parte della persona competente.

3.0 UTILIZZO DELL'IMBRACATURA

3.1 PRIMA DI CIASCUN UTILIZZO di questa attrezzatura, ispezionarla facendo riferimento al "Registro di ispezione e manutenzione" (Tabella 1).

3.2 PIANIFICARE il proprio sistema prima dell'utilizzo. Durante l'utilizzo dell'attrezzatura, tenere presenti tutti i fattori che possono ripercuotersi sulla sicurezza personale. Di seguito sono evidenziati punti importanti da tenere presenti durante la pianificazione del sistema:

- **Ancoraggio:** selezionare un ancoraggio in grado di sopportare i requisiti di carico statico dell'applicazione prevista della protezione anticaduta (vedere la Sezione 1.1). La posizione dell'ancoraggio deve soddisfare i requisiti relativi a caduta libera, tirante d'aria di caduta, caduta con pendolo e pericoli ambientali descritti nella Sezione 1.4.
- **Bordi taglienti:** evitare di lavorare nel punto in cui i componenti del sistema potrebbero entrare in contatto o essere danneggiati da bordi affilati non protetti.
- **Dopo una caduta:** rimuovere e distruggere i componenti che sono stati soggetti alle forze di arresto di una caduta.
- **Salvataggio:** il datore di lavoro deve prevedere un piano di salvataggio quando si utilizza questa attrezzatura ed essere in grado di attuarlo in modo rapido e sicuro.
- **Imbracatura di salvataggio:** le imbracature di salvataggio (EN 1497) sono concepite per essere indossate durante attività di lavoro normali. Prima di utilizzare elementi di aggancio di salvataggio per la prima volta, l'operatore deve condurre un test di sospensione in condizioni sicure per verificare che l'imbracatura sia regolata e fissata in modo da assicurare il massimo comfort durante la sospensione.
- **Collocamento sul lavoro:** Valutare sempre l'esigenza di utilizzare un sistema di protezione anticaduta personale di riserva (ad esempio, un sistema di arresto caduta) quando si utilizza un sistema di collocamento sul lavoro. Controllare regolarmente gli elementi di fissaggio e regolazione durante l'uso

3.3 FIBBIE: le imbracature complete sono provviste di varie fibbie che fissano e regolano i nastri del cosciale e le cinghie pettorali. Le cinture in vita dell'imbracatura sono dotate di una fibbia con ardiglione. Nella Figura 1 sono riportati i tipi di fibbie montati sull'imbracatura. Nella Figura 9 viene illustrato il funzionamento di ciascuna delle seguenti fibbie:

1. Fibbie ad aggancio rapido:

- A. Per collegare la fibbia ad aggancio rapido, inserire la linguetta nel recettore fino a sentire un clic.
- B. Per regolare la cinghia tessile agganciata: tirare la cinghia tessile in avanti o all'indietro attraverso la fessura della fibbia per stringere o allentare.
- C. Per rilasciare la fibbia ad aggancio rapido: Stringere le Leve di blocco su ciascun lato del recettore. tirare la linguetta fuori dal recettore.

2. Fibbie passanti:

- A. Inserire il parte maschio della fibbia attraverso la fessura della parte femmina.
- B. Stringere la cinghia libera in modo che la parte maschio sia a livello con la parte femmina. Fissare la cinghia libera nel passante della cinghia.

3.4 REGOLAZIONI: le imbracature sono dotate di un paio di regolatori per il busto per regolare le cinghie delle spalle. Nella Figura 10 viene illustrata la regolazione dei regolatori per il busto:

1. Regolatori per il busto del paracadute: per regolare le cinghie delle spalle con i regolatori per il busto del paracadute:

- A. Tirare la cinghia libera per stringere la cinghia delle spalle. Per allentare la cinghia delle spalle, tirare la cinghia libera e poi far arretrare la cinghia attraverso il regolatore del paracadute.
- B. Una volta regolata, fissare la cinghia libera nel passante della cinghia.

Se è presente la gestione dell'estremità del nastro in velcro (vedere la Figura 11), riavvolgere la cinghia del nastro libera fino a serrarla (A), unire nuovamente le strisce di velcro sulla cinghia e fissare le strisce (B). Accertarsi che il rotolo sia stretto e che il supporto del cinturino sia spostato vicino al rotolo (C).

3.5 COME INDOSSARE E REGOLARE L'IMBRACATURA COMPLETA: nella Figura 13 viene illustrato come indossare e regolare l'imbracatura completa. Prima di ciascun utilizzo, ispezionare l'imbracatura seguendo la lista di controllo specificata nel "Registro di ispezione e manutenzione (Tabella 1)". Per indossare e regolare l'imbracatura:

Le procedure per allacciare e regolare le cinghie dell'imbracatura cambiano a seconda del modello. Vedere le Sezioni 3.3 e 3.4 e le Figure 9 e 10 per maggiori dettagli.

1. Sollevare e afferrare l'imbracatura dall'attacco dorsale a D posteriore. Assicurarsi che le cinghie non siano attorcigliate.
2. Afferrare le cinghie delle spalle e sganciare l'imbracatura in corrispondenza di un braccio. L'attacco dorsale a D si troverà sul lato posteriore. Assicurarsi che le cinghie non siano intrecciate e che siano libere di muoversi. Sganciare il braccio libero nell'imbracatura e posizionare le cinghie delle spalle sulla parte superiore delle spalle. La cinghia pettorale e la fibbia pettorale, se indossate correttamente, si troveranno in posizione frontale.
3. Tra le gambe, afferrare il nastro del cosciale sul lato destro. Sollevare il nastro fino all'altezza delle gambe; allacciarlo alla fibbia di accoppiamento sul fianco destro, quindi regolare il nastro del cosciale in modo che sia confortevole (vedere la Sezione 3.3 per informazioni su come allacciare la fibbia). Una volta regolato, infilare il capo libero del nastro del cosciale sotto il passante della cinghia.
Ripetere questa procedura per allacciare e regolare il nastro del cosciale sinistro.
4. Regolare e fissare la fibbia con ardiglione della cintura in vita, se presente (vedere la Sezione 3.3 per informazioni su come fissare la fibbia con ardiglione).
5. Allacciare e regolare la cinghia pettorale (vedere la Sezione 3.3 per informazioni su come fissare la fibbia). La cinghia pettorale deve trovarsi 15 cm (6 in) sotto il bordo superiore delle proprie spalle. Una volta regolata, infilare il capo libero della cinghia pettorale sotto il passante della cinghia.
6. Regolare le cinghie delle spalle in modo confortevole con i regolatori per il busto (vedere la Sezione 3.4 per informazioni su come utilizzare il regolatore per il busto). I lati destro e sinistro delle cinghie per le spalle devono

essere regolati alla stessa lunghezza e la cinghia pettorale deve trovarsi in corrispondenza dei pettorali, 15 cm (6 in) al di sotto delle spalle. L'attacco dorsale a D posteriore deve trovarsi al centro delle scapole. L'anello a D sternale frontale, se presente, deve trovarsi in posizione laterale entro 5 cm (2 in) dalla linea centrale verticale dell'imbracatura.

Controllare regolarmente gli elementi di fissaggio e regolazione durante l'uso

- 3.6 UTILIZZO DELL'ELEMENTO DI AGGANCIO O DELL'ANELLO A D DI ARRESTO CADUTA:** I punti di ancoraggio per l'arresto di una caduta sono contrassegnati dalla lettera maiuscola "A". Per le applicazioni di arresto caduta eseguire il collegamento all'elemento di aggancio o all'attacco dorsale a D sul lato posteriore, tra le scapole, o L'anello D sternale frontale sul petto. Gli anelli a D laterali, se presenti, servono solo alle applicazioni di posizionamento o di trattenuta. Gli attacchi per le spalle servono solo per le applicazioni di recupero o salvataggio. L'anello D sternale frontale serve per operazioni di posizionamento o salita su scala. Gli anelli a D presenti su un seggiolino per sospensione servono solo per applicazioni di posizionamento o Sospensione. (vedere la Sezione 1.1).
- 3.7 REALIZZAZIONE DEI COLLEGAMENTI:** quando si utilizza un connettore per effettuare un collegamento a un punto di ancoraggio o per associare i componenti di un sistema, assicurarsi che non possa verificarsi lo sganciamento. Lo sganciamento avviene in caso di interferenza tra il gancio e il connettore accoppiato che causa l'apertura e il rilascio involontari del gancio. Utilizzare moschettoni e connettori autobloccanti per ridurre la possibilità di sganciamento. Non utilizzare ganci o connettori che non si chiudono completamente sopra gli oggetti da agganciare. Per ulteriori informazioni su come effettuare i collegamenti, consultare le istruzioni del produttore del sottosistema.
- 3.8 COLLEGAMENTO DEI COMPONENTI DEL SISTEMA:** dopo aver regolato l'imbracatura, l'utente può quindi collegare altri componenti del sistema. Attenersi alle procedure descritte nella Sezione 2 e alle istruzioni del produttore fornite con il componente.

4.0 ISPEZIONE

- 4.1 FREQUENZA DELLE ISPEZIONI:** ispezionare l'imbracatura completa secondo gli intervalli descritti nella Sezione 2.2. Le procedure d'ispezione sono descritte nel "Registro di ispezione e manutenzione" (Tabella 1).
- 4.2 DIFETTI:** se l'ispezione rivela una condizione difettosa, rimuovere immediatamente l'imbracatura dal servizio e distruggerla.
- 4.3 DURATA DEL PRODOTTO:** : la durata operativa delle imbracature dipende dalle condizioni di lavoro e dalla manutenzione. La vita utile massima può variare da 1 anno con uso intenso in condizioni estreme fino a 10 anni con uso leggero in condizioni moderate. L'articolo può rimanere in servizio finché è in grado di soddisfare i criteri di ispezione fino a un massimo di 10 anni.

5.0 MANUTENZIONE, RIPARAZIONE E CONSERVAZIONE

Non pulire né disinfettare il prodotto con metodi diversi da quelli descritti nelle istruzioni di pulizia riportate di seguito. Altri metodi possono avere conseguenze negative sul prodotto o sull'utente.

- 5.1 PULIZIA:** Le imbracature integrali 3M devono essere pulite secondo le istruzioni fornite da 3M. Per pulire l'imbracatura, lavarla con un detergente delicato senza candeggina, quindi risciacquarla. Successivamente, appendere l'imbracatura e lasciarla asciugare all'aria. La temperatura dell'acqua utilizzata per la pulizia e dell'ambiente in cui viene lasciata asciugare all'aria non devono mai superare i 54,4 °C (130 °F). Per ulteriori informazioni, consultare il bollettino tecnico sul nostro sito Web: <http://www.3M.com/FallProtection/WebCleaning>

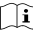
Per qualsiasi domanda sulle procedure di pulizia, contattare i Servizi tecnici 3M.

- 5.2 MANUTENZIONE:** l'imbracatura completa non è riparabile. Se l'imbracatura è stata sottoposta a forza di caduta o in seguito a un'ispezione viene individuata una condizione di non sicurezza o difetto, ritirare immediatamente l'imbracatura dal servizio e distruggerla.
- 5.3 CONSERVAZIONE E TRASPORTO:** conservare e trasportare l'imbracatura completa in un ambiente fresco, asciutto e pulito evitando la luce diretta del sole. Evitare zone con vapori chimici. Ispezionare accuratamente e completamente l'imbracatura dopo un periodo di inutilizzo prolungato.

6.0 ETICHETTE

Nella Figura 14 sono illustrate le etichette dell'articolo e la rispettiva posizione sull'imbracatura completa. Tutte le etichette devono essere presenti e completamente leggibili.

Su ogni etichetta sono presenti le informazioni seguenti:

1	(A) Punto di ancoraggio per arresto anticaduta, contrassegnato dalla lettera maiuscola "A" (B) Etichetta la posizione
2	(A) Registro di ispezione (B) Numero di serie (C) Iniziale (D) Data (E) Non rimuovere questa etichetta.
3	(A) Etichetta informativa per l'utente
4	(A) Numero di serie (B) Mese di fabbricazione (C) Anno di fabbricazione (D) Numero di lotto (E) Numero di modello (F) Standard europeo (G) Capacità (H) Dimensioni (I)  Vedere le istruzioni (J) Marchio CE (K) Numero dell'organismo di controllo che esegue la conformità al tipo (L) Dimensione della cintura

ინფორმაცია უსაფრთხოების შესახებ

გთხოვთ წაიკითხოთ, გაეცნოთ და მისდით მოცემულ ინსტრუქციებში მოყვანილ უსაფრთხოების შესახებ ყოველგვარ ინფორმაციას მოცემული მთელი სხეულის დამცავი ღვედის გამოყენებამდე. მოცემული ინსტრუქციების დაუცველობას შეიძლება მოჰყვეს სხეულის სერიოზული დაზიანება ან სიკვდილი.

მოცემული ინსტრუქციები უნდა გადაეცეს ამ მოწყობილობის მომხმარებელს. შეინახეთ ეს ინსტრუქციები მომავალში საცნობაროდ.

დანიშნულება:

მოცემული მთელი სხეულის დამცავი ღვედი გამოიყენება როგორც სიმალიდან ვარდნის საწინააღმდეგო ინდივიდუალური დაცვის სისტემის ნაწილი.

მისი გამოყენება დაუშვებელია სხვა პირობებში, როგორცაა (თუმცა ამით არ შემოიფარგლება): მასალის დატვირთვის და ჩამოტვირთვის სამუშაოები, გასართობი ან სპორტული საქმიანობა ან სხვა საქმიანობა, რომელიც არ არის აღწერილი მომხმარებლის ინსტრუქციებში, არ არის ნებადართული 3M-ის შესაბამისად და შეიძლება გამოიწვიოს სხეულის სერიოზული დაზიანება ან სიკვდილი.

მოცემული მოწყობილობის გამოყენება ნებადართულია მხოლოდ მომზადებული მომხმარებლისათვის სამუშაო პირობებში.

გაფრთხილება

მოცემული მთელი სხეულის დამცავი ღვედი სიმალიდან ვარდნის საწინააღმდეგო ინდივიდუალური დაცვის სისტემის ნაწილია. მისი ყველა მომხმარებელი სრულად უნდა იყოს მომზადებული სიმალიდან ვარდნის საწინააღმდეგო ინდივიდუალური დაცვის სისტემის უსაფრთხო მონტაჟში და გამოყენებაში. **მოცემული მოწყობილობის არასწორედ გამოყენებას შეიძლება მოყვეს სხეულის სერიოზული დაზიანება ან სიკვდილი.** ამ მოწყობილობის სათანადოდ შერჩევის, ექსპლუატაციის, დამონტაჟების, ტექნომსახურებისა და გამართვის მიზნით, იხილეთ მოცემული მომხმარებლის ინსტრუქციები და მწარმოებლის ყველა რეკომენდაცია, მიმართეთ თქვენს ხელმძღვანელს ან დაუკავშირდით 3M-ის ტექნიკურ სამსახურს.

- **მთელი სხეულის დამცავ ღვედთან დაკავშირებული რისკების შესამცირებლად, რომლებმაც მათი თავიდან არ აცილების შემთხვევაში, შეიძლება გამოიწვიონ სხეულის სერიოზული დაზიანება ან სიკვდილი:**
 - აწარმოეთ მოწყობილობის ინსპექტირება ყოველ გამოყენებამდე, მინიმუმ ყოველწლიურად და ვარდნის ნებისმიერი შემთხვევის შემდეგ. ინსპექტირება აწარმოეთ მომხმარებლის ინსტრუქციების შესაბამისად.
 - თუ ინსპექტირებით გამოვლინდება მოწყობილობის რაიმე სახიფათო მდგომარეობა ან დაზიანება, ამოიღეთ მოწყობილობა ექსპლუატაციიდან და გაანადგურეთ.
 - ნებისმიერი მოწყობილობა ვარდნის დაბლოკვის ან მასზე ძალის რაიმე ზემოქმედების შემდეგ დაუყოვნებლივ ამოღებული უნდა იყოს ექსპლუატაციიდან და განადგურდეს.
 - დარწმუნდით იმაში, რომ ღვედს სათანადოდ ატარებთ, ის არის სათანადო ზომის და სწორედ დამაგრებული.
 - დარწმუნდით, რომ ყველა მაკავშირებელი ქვესისტემა (მაგ. თასები) დაცული იყოს ყველა საფრთხისგან, მათ შორის (თუმცა ამით არ შემოიფარგლება): გადახლართვა სხვა მუშებთან, თავად თქვენთან, მოძრავ მოწყობილობებთან ან გარშემო მყოფ ობიექტებთან.
 - დარწმუნდით, რომ ვარდნისგან დამცავი სისტემები/ქვესისტემები, რომლებიც აწყობილია სხვა მწარმოებლების მიერ დამზადებული კომპონენტებისგან, იყოს თავსებადი და აკმაყოფილებდეს მოქმედი სტანდარტების მოთხოვნებს, მათ შორის, ANSI Z359 ან ვარდნისგან დაცვის სხვა ნებსებს, სტანდარტებს და მოთხოვნებს. ამ სისტემების გამოყენებამდე ყოველთვის გაიარეთ კონსულტაცია კომპეტენტურ ან კვალიფიცირებულ პირთან.
- **სიმალიზე მუშაობასთან დაკავშირებული რისკების შესამცირებლად, რომლებმაც მათი თავიდან არ აცილების შემთხვევაში, შეიძლება გამოიწვიონ სხეულის სერიოზული დაზიანება ან სიკვდილი:**
 - დარწმუნდით, რომ თქვენი ჯანმრთელობა ან ფიზიკური მდგომარეობა საშუალებას გაძლევთ უსაფრთხოდ გაუძლოთ სიმალიზე მუშაობის დროს არსებული ყველა ძალის ზემოქმედებას. გაიარეთ ექიმის კონსულტაცია თუ გეყენებათ რაიმე შეკითხვა ამ მოწყობილობის გამოყენების უნართან დაკავშირებით.
 - არასოდეს არ გადააჭარბოთ ვარდნისგან დამცავი მოწყობილობის ნებადართულ დატვირთვას.
 - არასოდეს არ გადააჭარბოთ თქვენი დამცავი მოწყობილობის თავისუფალი ვარდნის მაქსიმალურ მანძილს.
 - არ გამოიყენოთ ვარდნისგან დამცავი მოწყობილობა, რომელსაც არ ჩაუტარდება ექსპლუატაციამდე ან სხვა დაგეგმილი ინსპექტირება ან თუ არ ხართ დარწმუნებული თქვენი მიზნებით მოცემული მოწყობილობის გამოყენებაში ან გამოყენებისათვის მის ვარგისიანობაში. შეკითხვების შემთხვევაში დაუკავშირდით 3M-ის ტექნიკურ სამსახურს.
 - ზოგიერთი ქვესისტემა ან კომპონენტების კომბინაცია შეიძლება აფრხვანდეს მოწყობილობის მუშაობას. გამოიყენეთ მხოლოდ თავსებადი მათემატიკები. ამ მოწყობილობის მოცემულ მომხმარებლის ინსტრუქციებში მითითებულისგან განსხვავებულ კომპონენტებთან ან ქვესისტემებთან ერთად გამოყენებამდე გაიარეთ 3M-ის კონსულტაცია.
 - გამოიყენეთ დამატებითი დამცავი საშუალებები მოძრავ მოწყობილობასთან (მაგ. საბურღი კოპერას სახურავის ძალური ამძრავი), ელექტრულ საფრთხეებთან, ექსტრემალურ ტემპერატურაზე, ქიმიურ საფრთხეებთან, ასაფეთქებელ და ტოქსიკურ აირებთან, ბასრ კიდებებთან ან თქვენ თავზე არსებულ მასალასთან მუშაობის დროს, რომელიც შეიძლება დაგეგმეთ თქვენ ან თქვენს ვარდნისგან დამცავ მოწყობილობას.
 - გამოიყენეთ Arc Flash ან Hot Works მოწყობილობები მაღალ ტემპერატურაზე მუშაობის დროს.
 - მოერიდეთ ზედაპირებს და საგნებს, რომლებმაც შეიძლება ზიანი მიადგინონ მომხმარებელს ან მოწყობილობას.
 - სიმალიზე მუშაობის დროს, დარწმუნდით რომ არსებობდეს საკმარისი თავისუფალი ვარდნის სიმალი.
 - არასოდეს არ შეცვალოთ და არ გადააკეთოთ ვარდნისგან დაცვის მოწყობილობა. მოწყობილობის რემონტი ნებადართულია მხოლოდ 3M-ის ან იმ პირების მიერ, რომლებსაც მისგან მიღებული აქვთ წერილობითი ნებართვა.
 - ვარდნისგან დაცვის მოწყობილობის გამოყენებამდე დარწმუნდით, რომ გაქვთ წინასწარ შემუშავებული გადარჩენის გეგმა, რომელიც იძლევა სწრაფად გადარჩენის საშუალებას ვარდნის შემთხვევაში.
 - ვარდნის შემთხვევაში, დაუყოვნებლივ მოითხოვეთ სამედიცინო დახმარება ჩამოვარდნილი მუშისთვის.
 - არ გამოიყენოთ სხეულის ღვედი ვარდნის შეჩერების საშუალებებისათვის. გამოიყენეთ მხოლოდ მთელი სხეულის დამცავი ღვედი.
 - თავიდან აიცილეთ რხევით გამოწვეული ვარდნა უშუალოდ ანკირების წერტილის რაც შეიძლება ქვემოთ მუშაობის საშუალებით.
 - მოცემული მოწყობილობის გამოყენებაში მომზადების დროს საავადმედულოა მეორადი დამცავი მოწყობილობის გამოყენება, რომელიც მომხმარებელს დაიცავს უეცარი ვარდნის საფრთხისგან.
 - ყოველთვის ატარეთ სათანადო ინდივიდუალური დაცვის მოწყობილობა მოწყობილობის/სისტემის მონტაჟის, გამოყენების ან ინსპექტირების დროს.

ამ აღჭურვილობის გამოყენებამდე ამ ცნობარის ბოლოს „შემოწმებისა და მოვლა-შეკეთების ჟურნალში“ გადანერეთ პროდუქტის საიდენტიფიკაციო ინფორმაცია ID-ის ეტიკეტიდან.

ყოველთვის დარწმუნდით, რომ იყენებთ 3M-ის ინსტრუქციების სახელმძღვანელოს უახლეს ცვლილებას. ენჯიეთ 3M-ის ვებგვერდს ან დაუკავშირდით 3M-ის ტექნიკურ მომსახურებებს განახლებული ინსტრუქციების სახელმძღვანელოებისთვის.

აღწერა

1-ლ სურათზე ნაჩვენებია 3M 3M™ Protecta®-ის მთელი სხეულის უსაფრთხოების საკიდრის მოდელები. საკიდრის მოდელები არსებობს შემდეგი მახასიათებლების სხვადასხვა კომბინაციებით:

	ნახატი პირველი საცნობარო:	აღწერა:
ზომები	S, M/L, XL	პატარა, საშუალო/დიდი, ძალიან დიდი
	Ⓑ	ქამრის ზომა სმ
სამაგრი წერტილის ელემენტები	①	ზურგის დ-რგოლი
	②	გულმკერდის დ-რგოლი
	③	თეძოს დ-რგოლი
	④	მხრის მისამაგრებელი
ბალთები	⑤	სწრაფად შესაკრავი ბალთები
	⑥	გასაყრელი ბალთები
გასამართი აღჭურვილობები	⑦	პარაშუტისტების თასმის საჭიმები
ბალიშები	⑧	ქამარი და თეძოს ბალიში
	⑨	ფეხის ბალიში
დამატებითი ფუნქციები	⑩	მოსახსნელი ავტომატურად გადასართავი საჭიმრის ჩასადებები
	⑪	ვებსაიტზე მართვა, იხილეთ სურათი 11
	⑫	სამაშველო ქამარი
	⑬	ინსტრუმენტი ქამარი

სპეციფიკაციები

მუშაობის მახასიათებლები:	
მაქსიმალური შემაჩერებელი ძალა:	6 kN (1 349 lbf)
გამძლეობა:	140 kg (310 lb.)
სამუშაო ტემპერატურა:	მინიმუმი: -35 °C (-31 °F) მაქსიმუმი: +57 °C (135 °F)

მასალები:	
ქსოვილის თასმები	პოლიესტერი - 22 kN (4 946 lbf) განვლვის ძალა
ბალიშების საფარი	ნეილონისა და პოლიესტერის ნარევი
ეტიკეტის საფარი	ნეილონისა და პოლიესტერის ნარევი
ძაფი	პოლიესტერის ძაფი პოლიესტერის ქსოვილზე
დ-რგოლები	ფოლადის შენადნობი - 22 kN (4 946 lbf) განვლვის ძალა
სწრაფად შესაკრავი ბალთები	ფოლადი, უჟანგავი ფოლადი და ფოლადის შენადნობი - 18 kN (4 047 lbf) განვლვის ძალა
გასაყრელი ბალთები	ფოლადის შენადნობი - 18 kN (4 047 lbf) განვლვის ძალა
პარაშუტისტების თასმის საჭიმები	ფოლადის შენადნობი - 18 kN (4 047 lbf) განვლვის ძალა

1.0 გამოყენება

1.1 მიზანი: მთელი სხეულის უსაფრთხოების ღვედები/საკიდრები გამოიყენება, როგორც ინდივიდუალური ვარდნისაგან დასაცავი სისტემის კომპონენტები. მათი მიზანია ადამიანის ვარდნისაგან დაცვა ან ვარდნის უსაფრთხოდ შეჩერება (იხილეთ სურათი 2). მთელი სხეულის უსაფრთხოების საკიდრები გამოიყენება შემდეგ სიტუაციებში:

A	<p>ვარდნის შეჩერება (EN360, EN361, EN355): ვარდნისაგან დაცვის ინდივიდუალური აღჭურვილობა, ჩვეულებრივ, შეიცავს მთელი სხეულის უსაფრთხოების საკიდარსა და მაკავშირებელ ქვესისტემას (ენერჯის შთანქმედი საჭიმარი, თვითშემტაცი მექანიზმი და ა.შ.). შეჩერების მაქსიმალური ძალა არ უნდა აღემატებოდეს 6 kN (1 349 lbf). <i>სამაგრი ნერტილების გამძლეობა:</i> შეჩერებულმა სამაგრმა ნერტილებმა უნდა გაუძლოს მინიმუმ 12 kN (2 698 lbf) ტვირთს.</p>
B	<p>მუშა ზონის დაფიქსირება (EN358, EN813): მუშა ზონის დაფიქსირების სისტემები, ჩვეულებრივ, შეიცავს მთელი ტანის უსაფრთხოების საკიდარს, ერთ ჰობივიაში დასაფიქსირებელ საჭიმარსა და ვარდნის შემაჩერებელ სარეზერვო სისტემას. მუშა ზონის დასაფიქსირებლად მიაბით მუშა ზონის დასაფიქსირებელი სამაგრების (მაგ.: საჭიმარი, ორფეხა საჭიმარი და ა.შ.) გვერდი ქვედა (თედოს დონის) სამაგრებს ან ქამარზე არსებულ სამაგრებს (დ-რგოლები). ამ შეერთების ნერტილებს ვარდნისაგან დასაცავად ნურასოდეს გამოიყენებთ. <i>სამაგრი ნერტილის ელემენტები:</i> წინა, თედოს. <i>სამაგრი ნერტილების გამძლეობა:</i> არჩეულმა სამაგრმა ნერტილებმა უნდა გაუძლოს მინიმუმ 12 kN (2 698 lbf).</p>
C	<p>მაღლა ასვლა/აცოცხება (EN353-1): მთელი სხეულის უსაფრთხოების საკიდარი გამოიყენება სიმაღლეზე ასვლის/ცოცხის აღჭურვილობაში, რათა ადამიანი დაიცვას კიბეზე ან სხვა სტრუქტურაზე ასვლის დროს. სიმაღლეზე ასვლის/ცოცხის აღჭურვილობაში, ჩვეულებრივ, შედის მთელი სხეულის უსაფრთხოების საკიდარი, ვერტიკალური გვარლი ან სტრუქტურაზე მიმაგრებული ლიანდაგი და ასაცოცხებელი ქურო. კიბეზე ასვლის დროს უსაფრთხოების საშუალებად შეიძლება გამოვიყენოთ, გულმკერდის ადგილზე მიმაგრებული წინა დ-რგოლიანი მუშაობისათვის, სადაც მუშების წინაშე არსებული რისკი საზრუნავს გვიქმნის, შესვლა-გამოსვლის დროს მხრებზე D-რგოლებიანი საკიდარი შეიძლება გამოვიყენოთ. <i>სამაგრი ნერტილის ელემენტები:</i> გულმკერდის, წინა. <i>სამაგრი ნერტილების გამძლეობა:</i> სტრუქტურა, რომელზეც ასაცოცხებელი სისტემაა მიმაგრებული, უნდა უძლებდეს დამამზადებლის დოკუმენტაციაში მითითებულ დატვირთვას.</p>
D	<p>სამაშველო ფუნქცია (EN1496, EN1497, EN1498): უსაფრთხოების ღვედებიანი საკიდარი გამოიყენება, როგორც სამაშველო სისტემის კომპონენტი. სამაშველო სისტემების კონფიგურაცია ხდება იმისდა მიხედვით, თუ რა სახის სამაშველო ოპერაციისთვის გვჭირდება. შეზღუდულ სივრცეებში (ვინჩო ადგილებში) მუშაობისათვის, სადაც მუშების წინაშე არსებული რისკი საზრუნავს გვიქმნის, შესვლა-გამოსვლის დროს მხრებზე D-რგოლებიანი საკიდარი შეიძლება გამოვიყენოთ. <i>სამაგრი ნერტილის ელემენტები:</i> ზურგის, გულმკერდის, წინა და მხრების. <i>სამაგრი ნერტილების გამძლეობა:</i> არჩეულმა სამაგრმა ნერტილებმა უნდა გაუძლოს მინიმუმ 12 kN (2 698 lbf).</p>
E	<p>დაშვების კონტროლი (EN341): როცა საჭიროა ძირს დაშვების კონტროლი, დაშვების ან ევაკუაციის სისტემასთან მისამაგრებლად შეიძლება გამოვიყენოთ მკერდის დონის ერთი დ-რგოლი, ერთი ან ორი წინა დ-რგოლი ან ერთი წყვილი წელს ქვემოთ მიმაგრებული მისაერთებელი (როგორცაა მაგ., დაკიდული სავარძელი). <i>სამაგრი ნერტილის ელემენტები:</i> ზურგის, წინა. <i>სამაგრი ნერტილების გამძლეობა:</i> არჩეულმა სამაგრმა ნერტილებმა უნდა გაუძლოს მინიმუმ 12 kN (2 698 lbf).</p>
F	<p>მუხრუჭი (EN354): უსაფრთხოების საკიდარი გამოიყენება, როგორც სამუხრუჭე სისტემის კომპონენტი, რათა მისი მომხმარებელი არ მიუშვას დაცემის საშიშროების ნერტილამდე. სამუხრუჭე სისტემები, ჩვეულებრივ, შეიცავს უსაფრთხოების ღვედებიან საკიდარსა და საჭიმარს ან სამუხრუჭე თოკს. <i>სამაგრი ნერტილის ელემენტები:</i> ტერფის, გულმკერდის, წინა, თედოს. <i>სამაგრი ნერტილების გამძლეობა:</i> არჩეულმა სამაგრმა ნერტილებმა უნდა გაუძლოს მინიმუმ 18 kN (4 047 lbf) როდესაც ნებისმიერი ტექსტილის მასალა ან ტექსტილის ელემენტები, მაგალითად, გამოიყენება სინთეზური ბოჭკოვანი თოკები ან ჩამოსხმა. როდესაც მეტალური ელემენტების მთლიანი ლიანდადები გამოიყენება, ანკარაგი უნდა შეინარჩუნოს ტვირთის მინიმუმ 12 kN (2 698 lbf).</p>

1.2 სტანდარტები: საკიდარი, რომელიც ამ ცნობარშია განხილული, შეესაბამება ყდაზე ნაჩვენებ სტანდარტს/სტანდარტებს. თუ ეს პროდუქტი ხელახლა გაიყიდება დანიშნულების ადგილის ქვეყნის გარეთ, გადაამოწმებთ უნდა უზრუნველყოთ ინსტრუქციების ადგილობრივ ენაზე გადათარგმნა, სადაც პროდუქტს გამოიყენებენ.

1.3 ნერთები: მოცემული აღჭურვილობის მომხმარებელი და შემძენი ვალდებული არიან, გაეცნონ მოხმარების ინსტრუქციებს, ისწავლონ მისი სწორი მოვლა, მუშაობის მანძილზე, გამოყენების შეზღუდვები და მისი არასწორი მოხმარების გამო მოსალოდნელი შედეგები.

1.4 შეზღუდვები: მოცემული აღჭურვილობის გამოყენების დროს ყოველთვის მხედველობაში იქონიეთ მისი შემდეგი შეზღუდვები:

- » **გამძლეობა:** მთელი სხეულის უსაფრთხოების ღვედებიანი საკიდარი უნდა გამოიყენონ იმ ადამიანებმა, რომელთა საერთო წონა (ტანსაცმლის, იარაღის და ა.შ. ჩათვლით) არ აღემატება 140 kg (309 lb.). შეამოწმეთ, თუ თქვენი სისტემის აღჭურვილობის ყველა კომპონენტი გაუძლებს მოცემულ მოხმარებას.
- » **თავისუფალი ვარდნა:** შემოდგომაზე დაპატიმრების სისტემაში უნდა შეიცავდეს ენერგეტიკულ შთანთქმის ელემენტებს ან ფუნქციებს, რათა უზრუნველყოთ, რომ თავისუფალი ფორმის დაპატიმრებისას მოხმარების ორგანოზე ზემოქმედების ძალაზე მაქსიმალურად ექვემდებარებიან 6 kN (1 349 lbf). სამუხრუჭე სისტემები გვარლებით უნდა აღიჭურვოს ისე, რომ არანაირი ვერტიკალური თავისუფალი ვარდნა არ იყოს შესაძლებელი. მუშა ზონის დასაფიქსირებელი სისტემები გვარლებით უნდა აღიჭურვოს ისე, რომ თავისუფალი ვარდნა არ იყოს შესაძლებელი. ინდივიდუალური გადაადგილების სისტემები გვარლებით უნდა აღიჭურვოს ისე, რომ არანაირი ვერტიკალური თავისუფალი ვარდნა არ იყოს შესაძლებელი. სამაშველო სისტემები გვარლებით უნდა აღიჭურვოს ისე, რომ არანაირი ვერტიკალური თავისუფალი ვარდნა არ იყოს შესაძლებელი. დამატებითი ინფორმაციისათვის იხილეთ დამამზადებლის ინსტრუქციები.
- » **უსაფრთხო დიაპაზონი:** მე-3 სურათზე ნაჩვენებია დაცემის შეკავების კომპონენტები. უნდა შეინარჩუნოთ უსაფრთხოების საკმარისი დიაპაზონი (FC), რათა მინაშე ან სხვა წინააღმდეგობაზე დაჯანსაღებულ მოხდეს ვარდნის შეჩერება. უსაფრთხო დიაპაზონის სიგრძე დამოკიდებულია სხვადასხვა ფაქტორზე, მათ შორის: (A) საჭიმრის სიგრძე, (B) საჭიმრის შენელების მანძილი ანუ თვითშემტაცი მექანიზმის (SRD) მაქსიმალური შეჩერების მანძილი (C) ღვედის განვლილსა და დ-რგოლის/შემაერთებლის სიგრძე და დაფიქსირება (ჩვეულებრივ, 0,5 m (1,6 ft) უსაფრთხოების კოეფიციენტი). დამატებითი დეტალებისა და უსაფრთხო დიაპაზონის გამოსაანგარიშებლად იხილეთ საჭიმრის ან თვითშემტაცი მექანიზმის ინსტრუქციები.
- » **ქანაობით ვარდნა:** ქანაობით ვარდნას ადგილი აქვს, როცა მისამაგრებელი ნერტილი ვარდნის დაწყების ნერტილი ზუსტად ზევით არ არის (იხილეთ სურათი 4). ქანაობით ვარდნისას შეიძლება რაიმე საგანს დაეჯახოთ, რამაც სერიოზული დაზარალება შეიძლება სიკვდილიც გამოიწვიოს. იმისათვის, რათა ქანაობით ვარდნა არ მოხდეს, ზუსტად მიმაგრების ნერტილის ქვეშ უნდა იმუშაოთ. ნუ დაუშვებთ ქანაობით ვარდნას თუ დაზარალება შესაძლებელია. ქანაობით ვარდნა მნიშვნელოვნად ზრდის ვარდნის შეჩერების მანძილს, საჭიროს შემტავი მექანიზმებისა და სხვადასხვა სიგრძის შემაერთებლების გამოყენების დროს.
- » **ხანგრძლივი დაკიდება და დაკიდებით მიღებული ტრავმა:** უსაფრთხოების სხეულის ღვედებიანი საკიდარი ხანგრძლივი დაკიდების პირობებში არ უნდა გამოვიყენოთ. ხანგრძლივმა დაკიდებამ შეიძლება გამოიწვიოს

დაკიდების ტრავმა. თუ მომხმარებელი დიდი ხნის განმავლობაში უნდა ეკიდოს, მაშინ სავარძლის მსგავსი საკიდარი უნდა გამოვიყენოთ. 3M გვირჩევს დასაჯდომ დაფას, დაკიდულ საბუხაო სავარძელს, ჩამოსაკიდ დასაჯდომს ან ბოცმანის სკამს. ამ პროდუქტის შესახებ ინფორმაციისათვის დაუკავშირდით 3M-ს.

- » **მაღალი ტემპერატურის გარემოში გამოსაყენებელი ღვედებიანი საკიდრები:** კველარის ქსოვილის საკიდრები შექმნილია მაღალი ტემპერატურის გარემოში გამოსაყენებლად და აქვს გარკვეული შეზღუდვები: კველარის ქსოვილის თასმა იწვება 425 - 480 °C (800 - 900 °F). კველარის ქსოვილის თასმა უძლებს მაქსიმუმ 535 °C (1 000 °F) ტემპერატურაზე მოხვედრას. პოლიესტერის თასმა ძალას კარგავს 145 - 200 °C (300 - 400 °F) ფარგლებში. აპარატურაზე პოლივინილის ქლორიდის (PVC) გარსის დნობის ტემპერატურა არის 175 °C (350 °F).

მართალია PVC-ის გარსითა და თუთიით დაფარულ აპარატურას არაჩვეულებრივი ანტიკოროზიული თვისებები აქვს ქიმიური ნივთიერებების, მჟავების, ტუტეებისა და ატმოსფერული ჰირობების მიმართ, მათი ხშირი შემოწმება მაინც აუცილებელია. თუ ამ აპარატურის გამოყენებას საშიშ გარემოში აპირებთ, რჩევისათვის 3M-ს მიმართეთ.

2.0 სისტემის გამოყენება

2.1 სამაშველო გეგმა: როცა აღჭურვილობასა და სამაგრ სისტემას/სისტემებს იყენებენ, კომპანიას უნდა ჰქონდეს სამაშველო გეგმა, რომელიც უნდა დანერგონ და გააცნონ მომხმარებლებს^ა, უფლებამოსილ პირებსა^ა და მაშველებს^ა.

2.2 აღჭურვილობის შემოწმების სიხშირე: უსაფრთხოების საკიდარი ყოველი მოხმარების წინ უნდა შეამოწმოს თავად მომხმარებელმა, ხოლო მისგან განსხვავებულმა სხვა კომპეტენტურმა^ა პირმა უნდა შეამოწმოს რეგულარულად, ოღონდ მინიმუმ წელიწადში ერთხელ^ა. შემოწმების პროცედურა აღწერილია „მომხმარებლის სახელმძღვანელოს“ „შემოწმებისა და მოვლა-შეკეთების ჟურნალში“. შემოწმების შედეგები კომპეტენტური პირის მიერ უნდა გაფორმდეს „შემოწმებისა და მოვლა-შეკეთების ჟურნალში“ ან გატარდეს რადიოსიხშირის საიდენტიფიკაციო სისტემაში (იხილეთ „შემოწმება“).

თუ 3M მოითხოვს აღჭურვილობის კომპლექსურობის ან სიახლის გამო, ან როცა აღჭურვილობის დაშლას, ხელახლა აწყობას ან შეფასებას კრიტიკული ცოდნა სჭირდება, პერიოდული შემოწმება მხოლოდ 3M-მა ან მის მიერ უფლებამოსილმა ორგანიზაციამ უნდა შეასრულოს.

2.3 კომპონენტების თავსებადობა: 3M-ის აღჭურვილობა გათვლილია მხოლოდ 3M-ის მიერ დამტკიცებულ კომპონენტებსა და ქვესისტემებში გამოსაყენებლად. ისეთი კომპონენტების ან ქვესისტემების გამოყენებამ ან შენაცვლებამ, რომელიც დამტკიცებული არ არის, შეიძლება შეუთავსებლობა გამოიწვიოს და უარყოფითად იმოქმედოს მთლიანი სისტემის საიმედოობასა და უსაფრთხოებაზე.

2.4 შემაერთებლების თავსებადობა: შემაერთებლები შესაერთებელ ელემენტებთან თავსებადია მაშინ, როცა ისინი ერთად სამუშაოდ არის შექმნილი და მათი ზომა და ფორმა ჩამკეტ მექანიზმს უცვლად არ გახსნის მიუხედავად იმისა, თუ ისინი როგორ ორიენტაციას მიიღებენ. თავსებადობის შესახებ თუ რაიმე შეკითხვა გაგიჩნდებათ, დაუკავშირდით 3M-ს. შემაერთებლებს (კაუჭები, კარაბინები და დ-რგოლები) უნდა შეეძლოს, გაუძლოს მინიმუმ 22 kN (4 946 lbf). შემაერთებლები უნდა იყოს საბაგრი წერტილების ან სისტემის სხვა კომპონენტების თავსებადი. ნუ გამოიყენებთ არათავსებად აღჭურვილობას. არათავსებადი შემაერთებლები შეიძლება უცხად გაიხსნას (იხილეთ ნახატი 5). შემაერთებლები თავსებადი უნდა იყოს ზომით, ფორმითა და გამძლეობით. თუ შემაერთებელი ელემენტი, რომელზეც სასხლეტიანი კაუჭი ან კარაბინი მაგრდება, უფრო ჰატარა ზომისა ან სხვა ფორმისაა, როგორც კი მას ძალა დაადგება, კაუჭის ან კარაბინის რაზა შეიძლება გაიხსნას. ძალის მოხვედრაზე თუ რაზა გაიხსნება, სასხლეტიანი კაუჭი ან კარაბინი მიმაგრების წერტილიდან მოძვრება. საჭიროა თვითჩამკეტი კაუჭები ან კარაბინები.

2.5 მიერთება: ამ აღჭურვილობაზე უნდა ვიხმაროთ მხოლოდ თვითჩამკეტი სასხლეტები ან კარაბინები. გამოიყენეთ მხოლოდ ის შემაერთებლები, რომლებიც მოცემულ სიტუაციაში გვჭირდება. საგულდაგულოდ შეამოწმეთ, რომ ყველა შემაერთებლის ზომა, ფორმა და გამძლეობა აღჭურვილობის თავსებადი იყოს. ნუ გამოიყენებთ არათავსებად აღჭურვილობას. საგულდაგულოდ შეამოწმეთ, რომ ყველა შემაერთებელი ჩაკეტილი ან ბოლომდე ჩამკეტი იყოს.

3M-ის შემაერთებლები (სასხლეტები და კარაბინები) უნდა გამოვიყენოთ, როგორც მომხმარებლის შესაბამის ინსტრუქციებშია მითითებული. არასწორი შეერთებები იხილეთ ნახატი 6-ში. 3M-ის სასხლეტები და კარაბინები არ უნდა შევეერთოთ:

- A. დ-რგოლს, რომელზეც სხვა შემაერთებელია მიერთებული.
- B. ისე, რომ რაზას ძალა დაადგეს.
- C. მიფუჩეხებულად ისე, რომ კაუჭიდან ან კარაბინიდან გამომწეული ნაწილები სამაგრ წერტილზე მოხვდეს და ვიზუალურად ჩანდეს, თითქოს შემაერთებელი ბოლომდეა ჩამკეტი სამაგრ წერტილში.
- D. ერთმანეთზე.
- E. პირდაპირ ქსოვილის თასმაზე ან თოვის საჭიმარზე, ან უკან გადავებით (გარდა იმ შემთხვევებისა, როცა დამამზადებლის ინსტრუქციებით როგორც საჭიმარზე, ასევე შემაერთებელზე დაიშვება ასეთი გადაბმა).
- F. ნებისმიერ საგანს, რომლის ზომა და ფორმა ისეთია, რომ სასხლეტი ან კარაბინი არ ჩაიკეტება ან გამოძვრება.
- G. ისე, რომ დატვირთვის დროს შემაერთებელი სწორად არ გაიშალოს.

2.6 შემაერთებლების ქვესისტემები: შემაერთებლების ქვესისტემები (თვითშემტავი სამაშველო ხაზი, საჭიმარი, თოვის მომჭერი ან გვარლი, თოვის ქურო და ა.შ.) უნდა შეეფერებოდეს მოცემულ მოხმარებას (იხილეთ თავი 1.1). დამატებითი ინფორმაციისათვის იხილეთ ქვესისტემების დამამზადებლის ინსტრუქციები. საკიდრის ზოგიერთ მოდელს ქსოვილის თასმის ყულფის მსგავსი შემაერთებელი წერტილები აქვს. ნუ გამოიყენებთ სასხლეტიან კაუჭებს ქსოვილის თასმის ყულფებზე შესაერთებლად. გამოიყენეთ თვითჩამკეტი კარაბინი ქსოვილის თასმის ყულფებზე შესაერთებლად. შეამოწმეთ, რომ კარაბინი დატვირთვის მიმართულების პერპენდიკულარული არ იყოს (ტვირთი რაზის საპირისპიროდ და არა კარაბინის მთავარი ღერძის გასწვრივ). ზოგიერთი საჭიმარი ისეა დამზადებული, რომ ყულფს შემოეჭრება, რათა შესაფერისი დამაგრება უზრუნველყოფს. საჭიმარები შეიძლება პირდაპირ იყოს ჩაკერებული ღვედის ყულფზე და ამგვარად მუდმივი შეერთება იყოს უზრუნველყოფილი. თასმის ერთ ყულფში ბევრ შეერთებას ნუ გააკეთებთ. ეს მხოლოდ მაშინ შეიძლება, როცა ორ საჭიმარს შესაფერისი ზომის ყულფზე ვუკეთებთ. საჭიმარის ყულფზე შემოხვევა (სურათი 7): A) საჭიმარი უსაფრთხოების საკიდრის ღვედების ყულფში ან დ-რგოლში გაუყარეთ. B) ყულფში შეუყარეთ საჭიმარის სწორი ბოლო. C) ყულფში გაყარის შემდეგ გამოსწიეთ და კარგად მოჭიმეთ საჭიმარი, რათა კარგად დამაგრდეს.

2.7 საჭიმარის ჩამოსაკიდებელი უქმ რეჟიმი: მე-8 ნახატზე ნაჩვენებია საჭიმარის ჩამოსაკიდებელი. საჭიმარის ჩამოსაკიდებელი უნდა ჩამოვკიდოთ საჭიმარის თავისუფალი ბოლო ან საკიდარზე მიმაგრებული თვითშემტავი მექანიზმი, როცა ისინი სამაგრ წერტილზე არ არის მიმაგრებული ვარდნისაგან დაცვის რეჟიმში. საჭიმარის ჩამოსაკიდებლის გამოყენება არავითარ შემთხვევაში არ შეიძლება ვარდნისაგან დასაცავი სამაგრის სახით საჭიმარის ან თვითშემტავი მექანიზმის მასზე მისამაგრებლად (A).

როცა სამაგრ წერტილზე მიმაგრებული არ არის, თავისუფალი საჭიმარი ფეხით უნდა დავკიდოთ საკიდარზე (B) ან მომხმარებელმა ხელში უნდა დაიჭიროს მისი მოხსნის 100% შემთხვევებში (Tie-Off) (C). თუ საჭიმარი თავისუფლად კიდია, ის შეიძლება მომხმარებელს ფეხებში გაებლანდოს ან გვერდზე არსებულ საგნებში გაიხლართოს - შედეგად ადამიანი შეიძლება დავარდეს/ჩამოვარდეს.

3.0 ღვედებიანი საკიდრის გამოყენება

3.1 **ყოველი გამოყენების წინ** ეს აღჭურვილობა შეამოწმეთ „შემოწმებისა და მოვლა-შეკეთების ჟურნალის“ (ცხრილი 1) მიხედვით.

3.2 **დაგეგმეთ** თქვენი სისტემა მის გამოყენებამდე. გაითვალისწინეთ ყველა ის ფაქტორი, რომელიც ამ აღჭურვილობის გამოყენების დროს თქვენს უსაფრთხოებაზე უარყოფითად იმოქმედებს. ქვემოთ ჩამოთვლილია თქვენი სისტემის დაგეგმვის დროს გასათვალისწინებელი მნიშვნელოვანი ელემენტები:

- » **სამაგრი წერტილები:** აირჩიეთ ისეთი სამაგრი წერტილები, რომლებიც გაუძლებს ვარდნისაგან დამცავი სისტემის სტატიკური დატვირთვის მოთხოვნებს (იხილეთ თავი 1.1). სამაგრი წერტილების ადგილი უნდა შეესაბამებოდეს თავისუფალ ვარდნას, უსაფრთხო დიაპაზონს, რხევის დროს ვარდნასა და გარემოს შეზღუდვებს, როგორც ეს მოცემულია 1.4 თავში.
- » **მჭრელი კიდეები:** მოერიდეთ ისეთ გარემოში მუშაობას, სადაც სისტემის კომპონენტები შეიძლება მჭრელ საგანს მოხვდეს, რამეზე გაიხეხოს ან სადაც ეს მჭრელი კიდეები დაფარული არ არის.
- » **ვარდნის შემდეგ:** კომპონენტები, რომლებიც ვარდნის დამუხრუჭებაში მონაწილეობდა, უნდა ამოვიღოთ მოხმარებიდან და გავანადგუროთ.
- » **სამაშველო ოპერაციები:** თუ ამ აღჭურვილობას იყენებს, კომპანიას უნდა ჰქონდეს სამაშველო გეგმა. კომპანიას უნდა ჰქონდეს სამაშველო ოპერაციების სწრაფად და უსაფრთხოდ განხორციელების უნარი.
- » **სამაშველო ღვედი:** სამაშველო ღვედების (EN 1497) ტარება გათვალისწინებულია ჩვეული სამუშაო საქმიანობის დროს ტარებისათვის. სამაშველო სამაგრი დეტალების პირველად გამოყენებამდე მომხმარებელმა უნდა შეასრულოს დაკიდების ტესტი უსაფრთხო პირობებში იმისთვის, რომ დარწმუნდეს, რომ დამზღვევი საკიდრის ზომა და ფორმა იყოს მაქსიმალურად კომფორტული დაკიდების დროს.
- » **სამუშაო განლაგება:** ყოველთვის გაითვალისწინეთ სათადარიგო პერსონალური ვარდნისგან დაცვის სისტემის საჭიროება (ე. წ. ვარდნის შეჩერების სისტემა), როდესაც იყენებთ სამუშაო განლაგების სისტემას. ყოველთვის გამოიყენეთ წამყვანი წერტილი, რომელიც განთავსებულია წელის დონეზე ან მის ზემოთ.

3.3 **ბალთები:** უსაფრთხოების ღვედებიანი საკიდარი აღჭურვილია სხვადასხვა სახის ბალთებით ფეხებისა და გულმკერდის ღვედების დასამაგრებლად და მოსარგებად. საკიდრის ღვედებს აქვს ენიანი ბალთები. საკიდარი ენიანი ბალთებით იხილეთ ნახატ 1-ზე. ნახატ 9-ზე ნაჩვენებია ქვემოთ ჩამოთვლილი თითოეული ბალთის მუშაობა:

1. სწრაფად შესაკრავი ბალთები:

- A. სწრაფად შესაკრავი ბალთების შესაკრავად მისი ენა ბუდეში ჩასვით, სანამ ჩხაკუნს არ გაიგონებთ.
- B. თასმის მოსარგებად: ბალთის ნახვრეტიდან თასმა წინ ან უკან გამოწიეთ, რათა თასმა მოუშვას ან მოჭიმოს.
- C. როგორ გავხსნათ სწრაფად შესაკრავი ბალთა: დააჭირეთ შვერებს ბუდის ორივე მხარეზე. გამოიღეთ ენა ბუდიდან.

2. გასაყრელი ბალთები:

- A. მამალი ბალთა გაუყარეთ დედალი ბალთის ნახვრეტში.
- B. მოუჭირეთ თავისუფალი თასმა, რათა მამალი ბალთა მიეტმასნოს დედალ ბალთას. თასმის თავისუფალი ნაწილი თასმის სამაგრში ჩასვით.

3.4 **მორგება:** საკიდარს ტანზე ერთი წყვილი სამხარეების მოსარგები/საჭიმები აქვს. ნახატ 10-ზე ჩანს ტანზე მოსარგები საჭიმების მორგება:

1. **პარაშუტის ტანზე მოსარგები საჭიმები:** პარაშუტის ტანზე მოსარგები საჭიმებით მხრებზე თასმების დარეგულირებისათვის:

- A. გამოსწიეთ თავისუფალი თასმა, რათა მოჭიმოთ თასმები მხრებზე. მხრის თასმების მოსაშვებად მათი თავისუფალი ბოლო გამოწიეთ და ისევ უკან გაატარეთ პარაშუტის საჭიმში.
- B. სათანადოდ დარეგულირების შემდეგ თასმის თავისუფალი ნაწილი თასმის სამაგრში ჩასვით.

თუ ვებ დასრულების მენეჯმენტი (იხ. სურათი 11) არსებობს, გადააბრუნეთ უფასო ვებ სამაჯური, სანამ არ დაიხურეთ (A), შეაერთეთ ზოლებით სამაგრზე თავზე და მიამაგრეთ ზოლები (B). დარწმუნდით, რომ რგოლი არის მჭიდრო და სამაგრის დამჭერი გადაადგილებულია რულონთან ახლოს (C).

3.5 **მთელი სხეულის უსაფრთხოების ღვედებიანი საკიდრის ჩაცმა და მორგება:** სურათ 13-ზე ნაჩვენებია უსაფრთხოების ღვედებიანი საკიდრის ჩაცმა და მორგება. გამოყენებამდე საკიდარი შეამოწმეთ „შემოწმებისა და მოვლა-შეკეთების ჟურნალში“ (ცხრილი 1) მოწოდებული საკონტროლო სიის მიხედვით. საკიდრის ჩაცმა-მორგებისათვის:

თასმების ჩაკეტვა-მორგების პროცედურა საკიდრის სხვადასხვა მოდელში განსხვავებულად ტარდება. დეტალები იხილეთ 3.3-3.4 თავებში და 9-10 ნახატებში.

- 1. აიღეთ საკიდარი ხელში და დაიჭირეთ ზურგის დ-რგოლით. შეამოწმეთ - თასმები ერთმანეთში არ იყოს გადახლართული.
- 2. მოჰკიდეთ ხელები მხრის თასმებს და გაუყარეთ ერთი ხელი. ზურგის დ-რგოლი უკან მოხვდება. შეამოწმეთ - თასმები ერთმანეთში არ იყოს გადახლართული ან თავისუფლად არ ეკიდოს. მეორე ხელი გაუყარეთ საკიდარში ისე, რომ მხრის თასმები მხრების წვერებზე მოხვდეს. თუ სწორად გვაცვია, გულმკერდის თასმა და ბალთა წინ მოხვდება.
- 3. შემდეგ ფეხის თასმებს მოჰკიდეთ ხელი მარჯვნივ. გადმოიტანეთ თასმები ფეხებს შორის; დედალი და მამალი ბალთები ერთმანეთში ჩასვით მარჯვნივ ბარძაყთან. შემდეგ ფეხის თასმა გაასწორეთ, რომ კომფორტულად დაჯდეს ფეხზე (ბალთის ხმარება იხილეთ თავი 3.3-ში). როცა სწორად მოარგებთ, ფეხის თასმის თავისუფალი ბოლო თასმის სამაგრში ჩასვით.
ეს პროცესი გაიმეორეთ მარცხენა ფეხის თასმების შესაკრავად და მოსარგებად.
- 4. თუ წელზე ქამარი აქვს საკიდარს, მოარგეთ ენიანი ბალთა. (ენიანი ბალთის ხმარება იხილეთ თავი 3.3-ში).
- 5. შეკარით და მოარგეთ გულმკერდის ბალთა და თასმა (ბალთის ხმარება იხილეთ თავი 3.3-ში). გულმკერდის თასმა მხრის წვერიდან 15 cm (6 in) ქვემოთ უნდა იყოს. როცა სწორად მოარგებთ, თასმის თავისუფალი ბოლო თასმის სამაგრში ჩასვით.

6. ტანზე არსებული საჭიმებით სწორად მოარგეთ მხრის თასმები (საჭიმების მოქმედება იხილეთ თავი 3.4-ში). მხრის თასმები მარცხნივ და მარჯვნივ ერთსა და იმავე სიგრძეზე უნდა დავარეგულიროთ, ხოლო გულმკერდის თასმის ცენტრი უნდა იყოს გულმკერდის ქვემოთ მხრებიდან 15 cm (6 in) დაშორებით. ზურგის დ-რგოლი მხრის ძვლების შუაში უნდა იყოს. წინა გულმკერდის დ-რგოლები (თუ ასეთი არსებობს) უნდა იყოს ლატერალურად საკიდრის ვერტიკალური ცენტრის ხაზიდან 5 cm (2 in) დაშორებით.

რეგულარულად შეამოწმეთ დამაგრების და კორექტირების ელემენტები გამოყენების დროს

3.6 ვარდნისაგან შესაჩერებელი დ-რგოლის ან მისამაგრებელი ელემენტის გამოყენება: შემოდგომის დაპატიმრების წერტილები აღინიშნება კაპიტალის ასო "A". ვარდნის შესაჩერებელი ფუნქციისათვის მიუერთეთ ზურგის დ-რგოლი ან მისამაგრებელი ელემენტი ზურგზე მხრის ძვლებს შორის. გვერდითი დ-რგოლები (თუ ასეთი არსებობს) მხოლოდ პოზიციის დაფიქსირებაში ან სამუხრუჭე ფუნქციაში გამოიყენება. მხრის სამაგრები მხოლოდ სამაშველო ან უკან დასაბრუნებელ ფუნქციაში გამოიყენება. გულმკერდის წინა დ-რგოლები გამოიყენება კიბეზე ასვლის ან პოზიციის შერჩევის დროს. დ-რგოლები დაკიდულ სავარძელზე არის მხოლოდ დაკიდულ მდგომარეობაში ყოფნის ან პოზიციის დაფიქსირებისათვის. (იხილეთ თავი 1.1).

3.7 მიერთება: სამაგრ წერტილზე კაუჭის მიმაგრების დროს ან სისტემის კომპონენტების დაწყვილების დროს დარწმუნდით იმაში, რომ დახვეულის გაშლა არ მოხდება. დახვეულის გაშლა მოხდება, როცა კაუჭსა და დაწყვილებულ შემაერთებლებს შორის რაიმე დარღვევას ექნება ადგილი და კაუჭის რაზა უცებ გაიხსნება. ამის თავიდან ასაცილებლად უნდა გამოვიყენოთ თვითჩამკეტი კაუჭები და კარაბინები. ნუ გამოიყენებთ ისეთ კაუჭებსა და შემაერთებლებს, რომლებიც ბოლომდე არ ჩაიკეტება მისამაგრებელ საგანზე. შემაერთებლების შესახებ დამატებითი ინფორმაციისათვის იხილეთ ქვესისტემების დამამზადებლის ინსტრუქციები.

3.8 შემაერთებელი სისტემის კომპონენტები: როცა საკიდარს ჩავიცვამთ და კარგად მოვირგებთ, შემდეგ შეიძლება სისტემის სხვა კომპონენტებთან მისი მიმაგრებაც. შეასრულეთ დამამზადებლის ინსტრუქციების მე-2 თავში მოცემული მითითებები, რომლებიც ამ კომპონენტებს თან მოჰყვება.

4.0 შემოწმება

4.1 აღჭურვილობის შემოწმების სიხშირე: უსაფრთხოების საკიდრის შემოწმება უნდა მოხდეს 2.2-ე თავში აღწერილ ინტერვალებში. შემოწმების პროცედურა აღწერილია „შემოწმებისა და მოვლა-შეკეთების ჟურნალში“ (ცხრილი 1).

4.2 დეფექტები: თუ შემოწმების დროს გამოვლინდება მოწყობილობის რაიმე სახიფათო მდგომარეობა ან დაზიანება, ამოიღეთ საკიდარი მოხმარებიდან და გაანადგუროთ.

4.3 პროდუქტის ექსპლუატაციის ვადა: საკიდრის მომსახურების ვადა განისაზღვრება მუშაობის პირობებითა და მისი მოვლით. საკიდრის მაქსიმალური ექსპლუატაციის ვადაა 1 წლიდან ექსტრემალურ პირობებში ინტენსიური გამოყენების პირობებში 10 წლამდე მსუბუქ პირობებში არაინტენსიურად გამოყენების პირობებში. საკიდარი ვარგისია მოხმარებისთვის მანამდე, სანამ უსაფრთხოების შემოწმებას წარმატებით გადის მაქსიმუმ 10 წლამდე.

5.0 მოვლა, შეკეთება, შენახვა

გარდა იმისა რაც აღწერილია დასუფთავების თაობაზე არსებულ შემდეგ ინსტრუქციებში არ გაასუფთაოთ ან ნებისმიერი მეთოდით ჩაუტაროთ დეზინფექცია პროდუქტს. სხვა მეთოდებმა შეიძლება არახელსაყრელი გავლენა იქონიოს პროდუქტზე ან მომხმარებელზე.

5.1 გასუფთავება: 3 მ სრული სხეულის აღკაზმულობა უნდა გაინმინდოს 3M ინსტრუქციის შესაბამისად. აღკაზმულობის დასუფთავების მიზნით, გარეცხეთ რბილი, გაუფერულების გარეშე სარეცხი საშუალებით და შემდეგ გაავლეთ. აღკაზმულობა უნდა ჩამოიკიდოს საჰაერო საშრობზე. დასუფთავებისთვის გამოყენებული წყალი და ჰაერის გამშრობის დროს გამოყენებული ტემპერატურა არასოდეს უნდა აღემატებოდეს 130-ს°F (54.4°C). დამატებითი ინფორმაციისთვის, გთხოვთ, გაეცნოთ ჩვენს ვებგვერდზე არსებულ ტექნიკურ ბიულეტენს: <http://www.3M.com/FallProtection/WebCleaning>

დასუფთავების პროცედურების შესახებ ნებისმიერი შეკითხვისთვის, გთხოვთ, დაუკავშირდეთ 3M ტექნიკურ მომსახურებას.

5.2 რემონტი: მთელი სხეულის მცველი ღვედები არ რემონტდება. თუ ღვედი ვარდნის ძალის ზემოქმედების ქვეშ მოხვდება ან დათვალიერების დროს საფრთხის ან დეფექტის შემცველი მდგომარეობა გამოვლინდება, ეს ღვედი სასწრაფოდ უნდა ამოიღოთ ექსპლუატაციიდან და გაანადგუროთ.

5.3 შენახვა და ტრანსპორტირება: უსაფრთხოების საკიდრის შენახვა და ტრანსპორტირება უნდა მოხდეს გრილ, მშრალ და სუფთა გარემოში მზის სხივებისაგან დაცულად. მოარიდეთ ისეთ ადგილებს, სადაც ქიმიური ნივთიერებების ორთქლი შეიძლება არსებობდეს. გულდასმით შეამოწმეთ საკიდარი დიდი ხნის შენახვის შემდეგ.

6.0 ეტიკეტები

სურათ 14-ზე ნაჩვენებია პროდუქტის ეტიკეტები და მათი მდებარეობა უსაფრთხოების საკიდარზე. პროდუქტს ყველა ეტიკეტი უნდა ჰქონდეს ადგილზე და ტექსტი სრულად და კარგად უნდა იკითხებოდეს.

თითოეულ ეტიკეტზე მოცემულია შემდეგი ინფორმაცია:

1	(A) საპროცესო დარბაზის წამყვანმა წერტილი, რომელიც აღინიშნა "A" (B) ლეიბლი მდებარეობა
2	(A) შემოწმების ჟურნალი (B) სერია (C) საწყისი (D) თარიღი (E) ნუ მოხსნით ამ ეტიკეტს.
3	(A) მომხმარებლის ინფორმაციის ეტიკეტი
4	(A) სერია (B) დამზადების თვე (C) დამზადების წელიწადი (D) პარტის ნომერი (E) ოდელის ნომერი (F) ევროპული სტანდარტი (G) გამძლეობა (H) ზომა (I) იხილეთ ინსტრუქციები (J) CE ნიშნები (K) უფლებამოსილი ორგანოს ნომერი, რომელიც ახორციელებს ტიპთან შესაბამისობას (L) ქამრის ზომა

Prieš naudodamiesi viso kūno apraišomis perskaitykite visą šiose instrukcijose pateiktą saugos informaciją, ją supraskite ir laikykitės jos. **TO NEPADARIUS GALIMA SUNKIAI SUSIŽALOTI ARBA ŽŪTI.**

Šios instrukcijos turi būti pateiktos šios įrangos naudotojui. Išsaugokite šias instrukcijas, jeigu ateityje jų prireiktų.

Numatytoji paskirtis

Šios viso kūno apraišos skirtos naudoti kaip visos asmeninės apsaugos nuo kritimo sistemos dalis.

„3M“ nėra patvirtinusi jokios kitos paskirties, įskaitant, be apribojimų, medžiagų tvarkymą, poilsinę ar sporto veiklą arba bet kokią kitą šiose naudotojo instrukcijose neaprašytą veiklą, o taip naudojant galima sunkiai susižaloti arba žūti.

Šiuo įtaisu gali naudotis tik parengti darbuotojai darbo reikmėms.

ĮSPĖJIMAS

Šios viso kūno apraišos yra asmeninės apsaugos nuo kritimo sistemos dalis. Tikimasi, kad visi naudotojai bus reikiamai išmokyti, kaip saugiai parengti ir naudotis savo asmenine apsaugos nuo kritimo sistema. **Netinkamai naudojantis šiuo įtaisu galima sunkiai susižaloti arba žūti.** Kaip tinkamai pasirinkti, naudoti, parengti, prižiūrėti ir remontuoti, skaitykite šias naudotojo instrukcijas ir visas gamintojo rekomendacijas, kreipkitės į savo viršininką arba „3M“ techninę tarnybą.

- **Kaip sumažinti riziką, kuri gali kilti dirbant su viso kūno apraišomis ir kurios neišvengus galima sunkiai susižaloti arba mirti.**
 - Prieš kiekvieną naudojimą, bent kartą per metus ir nukritus patikrinkite įtaisą. Tikrinkite vadovaudamiesi naudotojo instrukcijomis.
 - Jeigu patikrinus aptinkama nesaugi būklė ar defektų, nustokite naudotis įtaisu ir jį sunaikinkite.
 - Bet koku įtaisu, kurį paveikė kritimo stabdymo arba smūgio jėga, privaloma nedelsiant nustoti naudotis ir jį sunaikinti.
 - Įsitinkite, kad apraišos dėvimos tinkamai, yra tinkamo dydžio ir tinkamai sureguliuotos.
 - Įsitinkite, kad visos jungiamosios posistemės (pvz., diržiniai kobiniai) yra apsaugotos nuo pavojų, įskaitant, be apribojimų, nuo kitų darbininkų, Jūsų pačių, judančios įrangos ar kitų netoliese esančių objektų kliudymo.
 - Įsitinkite, kad apsaugos nuo kritimo sistemos ir posistemės, surinktos iš skirtingų gamintojų pagamintų komponentų, būtų suderinamos ir atitiktų taikomų standartų reikalavimus, įskaitant ANSI Z359 ar kitas taikomas apsaugos nuo kritimo normas, standartus ir reikalavimus. Prieš naudodamiesi šiomis sistemomis visada pasitarkite su kompetentingu arba kvalifikuotu asmeniu.
- **Kaip sumažinti riziką, galinčią kilti dirbant dideliame aukštyje, kurios neišvengus galima sunkiai susižaloti arba mirti.**
 - Būkite tikri, kad dėl savo sveikatos ir fizinės būklės galėsite saugiai atlaikyti visas su darbu dideliame aukštyje susijusias jėgas. Jeigu turite kokių nors klausimų dėl savo gebėjimo naudotis šia įranga, pasitarkite su gydytoju.
 - Niekada neviršykite savo apsaugos nuo kritimo įrangos leidžiamos laikomosios galios.
 - Niekada neviršykite savo apsaugos nuo kritimo įrangos maksimalaus laisvojo kritimo atstumo.
 - Niekada nesinaudokite apsaugos nuo kritimo įranga, kuri nepereina prieš naudojimą atliekamos ar kurios nors kitos planinės patikros, arba jeigu turite nuogastavimų dėl įrangos naudojimo ar tinkamumo norimai paskirčiai. Visais klausimais kreipkitės į „3M“ technines tarnybas.
 - Kai kurie posistemų ir komponentų deriniai gali mažinti šios įrangos funkcionalumą. Naudokite tik suderinamas jungtis. Jeigu norite naudoti šią įrangą su kitais nei šiose naudotojo instrukcijose aprašytais komponentais ar posistemėmis, pasitarkite su „3M“.
 - Dirbdami šalia judančių mašinų (pvz., naftos bokšto viršutinės pavaros), kuriose yra elektros pavojų, kraštutinėje temperatūroje, esant cheminių pavojų, sprogių ar nuodingų dujų, prie aštrių briaunų ar po kabančiomis medžiagomis, kurios gali nukristi ant Jūsų ar apsaugos nuo kritimo įrangos, būkite ypač atsargūs.
 - Dirbdami aukštos temperatūros aplinkoje naudokite kategorijos „Arc Flash“ arba „Hot Works“ įtaisus.
 - Venkite paviršių ir daiktų, kurie gali pakenkti naudotojui arba įrangai.
 - Dirbdami dideliame aukštyje pasirūpinkite, kad būtų pakankamas laisvasis kritimo aukštis.
 - Niekada nemodifikuokite ir nekeiskite savo apsaugos nuo kritimo įrangos. Šią įrangą gali taisyti tik „3M“ arba raštu įgalioti subjektai.
 - Prieš naudodamiesi apsaugos nuo kritimo įranga pasirūpinkite, kad būtų parengtas gelbėjimo planas, pagal kurį būtų galima greitai išgelbėti, jei įvyktų kritimas.
 - Įvykus kritimui nedelsdami pasirūpinkite nukritusio darbuotojo medicinine apžiūra.
 - Kritimo stabdymo sistemoms nenaudokite kūno diržo. Naudokite tik su viso kūno apraišomis.
 - Išvenkite supamojo kritimo galimybės dirbdami kiek galima tiesiau po inkaravimo vieta.
 - Jeigu mokomasi naudotis šiuo įtaisu, antroji apsaugos nuo kritimo sistema turi būti naudojama taip, kad nekeltų besimokančiajam nenumatyto kritimo pavojaus.
 - Parengdami, naudodamiesi arba tikrindami įtaisą ar sistemą visuomet naudokite atitinkamas asmenines apsaugos priemones.

Prieš pradėdami naudoti įrangą, užsirašykite gaminio identifikavimo duomenis iš identifikavimo etiketės ant patikrų ir priežiūros žurnalo nugarinio viršelio.

Visada įsitikinkite, kad vadovaujatės naujausio leidimo 3M naudotojo vadovu. Norėdami gauti atnaujintą naudotojo vadovą, apsilankykite 3M svetainėje arba susisiekite su 3M techninės pagalbos tarnybomis.

APRAŠYMAS

1 pav. pateikti esami „3M™ Protecta®“ viso kūno saugos diržų modeliai. Saugos diržų modelius galima įsigyti su įvairiais toliau nurodytų ypatybių deriniais.

	1 pav. Nuorodos	Aprašymas
Dydžiai	S, M/L, XL	Mažas, vidutinis / didelis, labai didelis
	Ⓑ	Diržo dydis cm
Tvirtinimo elementai	①	Nugarinis D formos žiedas
	②	Krūtinkaulio D formos žiedas
	③	Klubų D formos žiedai
	④	Pečių tvirtinimo elementas
Sagtys	⑤	Sparčiojo sujungimo sagtys
	⑥	Kiaurinės sagtys
Regulatoriai	⑦	Parašiutiniai liemens regulatoriai
Pagalvėlės	⑧	Diržas ir klubų pagalvėlės
	⑨	Kojų pagalvėlė
Papildomos ypatybės	⑩	Išjungiami automatiškai atsistatantys lyno laikikliai
	⑪	Juostų galų tvarkymo priemonės - žr. 11 pav.
	⑫	Glėbšanas josta
	⑬	Instrumenta cilpa

TECHNINIAI DUOMENYS

Eksploatacinės charakteristikos	
Didžiausia stabdymo jėga:	6 kN (1 349 lbf)
Apkrova:	140 kg (310 lb.)
Naudojimo temperatūra:	Minimali: -35 °C (-31 °F) Maksimali: +57 °C (135 °F)

Medžiagos	
Austinės juostos	Poliesteris – 22 kN (4 946 lbf) atsparumas tempimui
Pagalvėlių danga	Nailonas ir poliesteris
Etikečių danga	Nailonas ir poliesteris
Gijos	Poliesterio gijos poliesterio austinėse juostose
D formos žiedai	Legiruotas plienas – 22 kN (4 946 lbf) atsparumas tempimui
Sparčiojo sujungimo sagtys	Plienas, nerūdijantis plienas ir legiruotas plienas – 18 kN (4 047 lbf) atsparumas tempimui
Kiaurinės sagtys	Legiruotas plienas – 18 kN (4 047 lbf) atsparumas tempimui
Parašiutiniai liemens regulatoriai	Legiruotas plienas – 18 kN (4 047 lbf) atsparumas tempimui

1.0 NAUDOJIMO SRITIS

1.1 PASKIRTIS. Viso kūno saugos diržai yra naudojami kaip komponentai asmeninės apsaugos nuo kritimo sistemos, skirtos apsaugoti nuo kritimo arba kritimui saugiai sustabdyti (žr. 2 pav.). Viso kūno saugos diržai naudojami toliau nurodytose srityse.

(A)	Kritimo sustabdymas (EN360, EN361, EN355): asmeninės kritimo sustabdymo sistemos paprastai apima viso kūno saugos diržus ir jungiamąją posistemę (amortizuojamąjį lyną, savaiminio įtraukimo įtaisą ir t. t.). Didžiausia stabdymo jėga neturi viršyti 6 kN (1 349 lbf). <i>Inkaravimo įtaiso tvirtumas:</i> pasirinktas inkaravimo įtaisas turi atlaikyti 12 kN (2 698 lbf) arba didesnę apkrovą.
(B)	Darbo padėties nustatymas (EN358, EN813): darbo padėties nustatymo sistemos paprastai apima viso kūno saugos diržus, padėties nustatymo lyną ir pagalbines asmeninę kritimo sulaikymo sistemą. Darbo padėčiai nustatyti prijunkite darbo padėties nustatymo posistemę (pavyzdžiui, lyną, Y formos lyną ir t. t.) prie apatinių (klubų lygmens) šoninių arba ant diržo sumontuotų darbo padėties nustatymo tvirtinimo inkarinių elementų (D formos žiedų). Jokiu būdu nenaudokite šių jungiamųjų taškų kritimui sustabdyti. <i>Tvirtinimo elementai:</i> priekiniai, klubų. <i>Inkaravimo įtaiso tvirtumas:</i> pasirinktas inkaravimo įtaisas turi atlaikyti 12 kN (2 698 lbf) arba didesnę apkrovą.
(C)	Laipiojimas (EN353-1): viso kūno saugos diržai naudojami kaip laipiojimo sistemos komponentas naudotojui apsaugoti nuo kritimo, lipant kopėčiomis ar kita laipti skirta konstrukcija. Laipiojimo sistemos paprastai apima viso kūno saugos diržus, prie konstrukcijos pritvirtintą vertikalių lyną arba bėgį ir laipiojimo šliaužiklį. Laipiojimo kopėčiomis atveju gali būti naudojami saugos diržai su priekiniu D formos žiedu krūtinkaulio srityje kritimui nuo nejudamų kopėčių tipo laipiojimo sistemų sustabdyti. <i>Tvirtinimo elementai:</i> krūtinkaulio. <i>Inkaravimo įtaiso tvirtumas:</i> konstrukcija, prie kurios pritvirtinta laipiojimo sistema, turi atlaikyti apkrovas, nurodytas laipiojimo sistemos gamintojo dokumentacijoje.
(D)	Gelbėjimas (EN1496, EN1497, EN1498): viso kūno saugos diržai naudojami kaip gelbėjimo sistemos komponentas. Gelbėjimo sistemos konfigūracija priklauso nuo gelbėjimo darbų tipo. Ribotos prieigos (uždaru erdvių), į kurias patenkant bei kurias paliekant darbuotojui kyla problemų dėl jo kūno matmenų, atveju gali būti naudojami saugos diržai su D formos žiedais, pečių srityje. <i>Tvirtinimo elementai:</i> nugariniai, krūtinkaulio, priekiniai, pečių. <i>Inkaravimo įtaiso tvirtumas:</i> pasirinktas inkaravimo įtaisas turi atlaikyti 12 kN (2 698 lbf) arba didesnę apkrovą.
(E)	Kontroliuojamas nusileidimas (EN341): kontroliuojamo nusileidimo atveju prisitvirtinti prie nusileidimo arba gelbėjimo sistemos gali būti naudojami saugos diržai su vienu D formos žiedu krūtinkaulio srityje, vienu ar dviem priekyje pritvirtintais D formos žiedais arba pora jungiamųjų elementų (tokių kaip sėdimoji kilpa), esančių žemiau juosmens. <i>Tvirtinimo elementai:</i> nugariniai, krūtinkaulio, priekiniai. <i>Inkaravimo įtaiso tvirtumas:</i> pasirinktas inkaravimo įtaisas turi atlaikyti 12 kN (2 698 lbf) arba didesnę apkrovą.
(F)	Sulaikymas (EN354): viso kūno saugos diržai naudojami kaip sulaikymo sistemos komponentas naudotojui apsaugoti nuo kritimo. Sulaikymo sistemos paprastai apima viso kūno saugos diržus ir lyną arba sulaikymo virvę. <i>Tvirtinimo elementai:</i> nugariniai, krūtinkaulio, priekiniai, klubų. <i>Inkaravimo įtaiso tvirtumas:</i> pasirinktas inkaravimo įtaisas turi atlaikyti ne mažiau kaip 18 kN (4 047 lbf), kai diržai, įskaitant bet kokias tekstilės medžiagas ar tekstilės diržo elementus, pvz. naudojami sintetinio pluošto lynai arba juostos. Kai naudojami visiškai metaliniai elementai, tvirtinimo įtaisai turi išlaikyti mažiausiai 12 kN (2 698 lbf) apkrovas.

1.2 STANDARTAI. Į šį vadovą įtraukti saugos diržai atitinka ant šios instrukcijos viršelio nurodytą (-us) standartą (-us). Jei šis gaminyš perparduodamas ne toje šalyje, kuriai yra skirtas, perpardavėjas turi pateikti šią instrukciją tos šalies, kurioje gaminyš bus naudojamas, valstybine kalba.

1.3 MOKYMAS. Šios įrangos naudotojas ir pirkėjas privalo susipažinti su šia instrukcija, išmokti tinkamai naudoti bei prižiūrėti įrangą ir žinoti jos darbinis parametrus, naudojimo apribojimus bei netinkamo jos naudojimo pasekmes.

1.4 APRIBOJIMAI. Prieš naudodami šią įrangą, būtinai atsižvelkite į jos naudojimo apribojimus.

- **APKROVA.** Viso kūno saugos diržai yra pritaikyti naudoti asmenims, kurių bendrasis svoris (su apranga, įrankiais ir t. t.) ne didesnis kaip 140 kg (309 lb.). Pasirūpinkite, kad visi jūsų sistemos komponentai gebėtų atlaikyti apkrovas, atitinkančias jų naudojimo sritį.
- **LAISVASIS KRITIMAS.** Sulaikymo stabdymo sistema turi apimti energiją sugeriančius elementus arba funkcijas, užtikrinančius, kad smūgio jėgos naudotojo kūnui sulaikant laisvą kritimą būtų apribotos iki 6 kN (1 349 lbf). Sulaikymo sistemos turi būti suderintos taip, kad vertikalus laisvasis kritimas nebūtų įmanomas. Darbo padėties nustatymo sistemos turi būti suderintos taip, kad laisvojo kritimo aukštis būtų ne didesnis kaip 60 cm (24 in.). Asmeninės judėjimo sistemos turi būti suderintos taip, kad vertikalus laisvasis kritimas nebūtų įmanomas. Gelbėjimo sistemos turi būti suderintos taip, kad vertikalus laisvasis kritimas nebūtų įmanomas. Daugiau informacijos ieškokite posistemės gamintojo instrukcijoje.
- **KRITIMO AUKŠČIO ATSARGA.** 3 pav. pavaizduoti kritimo sustabdymo sistemos komponentai. Kritimo aukščio atsarga (FC) turi būti pakankama, kad kritimas būtų sustabdytas prieš naudotojui atsitrenkiant į žemę ar kitą kliūtį. Aukščio atsarga priklauso nuo įvairių veiksnių, tokių kaip: (A) lyno ilgis, (B) lyno lėtinamasis atstumas arba SRD didžiausio sustabdymo atstumas, (C) saugos diržų pailgėjimas, D formos žiedų / jungiamųjų elementų ilgis ir nusėdimas (tipinis saugos faktorius – 0,5 m (1,6 ft.)). Daugiau informacijos apie kritimo aukščio atsargos apskaičiavimą ieškokite lyno arba savaiminio įtraukimo įtaiso instrukcijoje.
- **SIŪBUOJAMASIS KRITIMAS.** Siūbuojamasis kritimas būna tada, kai inkaravimo taškas nėra tiesiai virš taško, iš kurio yra krentama (žr. 4 pav.). Atsitrenkus į kliūtis siūbuojamojo kritimo metu, galimos rimtos ar net mirtinos traumos. Norėdami sumažinti siūbuojamojo kritimo tikimybę, pasistenkite dirbti kiek įmanoma labiau vienoje vertikalioje linijoje su inkaravimo tašku. Užkirskite kelią siūbuojamajam kritimui, jei yra traumų tikimybė. Siūbuojamojo kritimo atveju aukščio atsarga turi būti gerokai didesnė, jei naudojamas savaiminio įtraukimo įtaisas ar kita kintamojo ilgio jungiamoji posistemė.
- **ILGALAIKIS KABĖJIMAS IR KABĖJIMO TRAUMA.** Viso kūno apraišas nėra skirtas ilgam buvimui kabėjimo padėtyje. Ilgai kabant galima patirti kabėjimo traumą. Jei naudotojas ilgai bus kabėjimo padėtyje, rekomenduojama naudoti kokią nors sėdėjimo atramą. 3M rekomenduoja suoliuką, aukštuminę kėdutę, sėdimąjį diržą arba bocmano kėdutę. Norėdami daugiau informacijos apie šiuos gaminius, kreipkitės į 3M.
- **PAVOJINGAS APLINKOS POVEIKIS.** Naudojant šią įrangą ten, kur yra pavojingo aplinkos poveikio tikimybė, gali tekti imtis papildomų atsargumo priemonių, kad būtų išvengta traumų ir įrangos sugadinimo. Tokių pavojų gali kelti karštis, cheminės medžiagos, korozinė aplinka, aukštos įtampos elektros linijos, dujos, judantys mechanizmai, aštrios briaunos ir kt.

- **KARŠTAI APLINKAI PRITAIKYTI SAUGOS DIRŽAI.** Saugos diržai su kevlaro austinėmis juostomis yra pritaikyti naudoti karštoje aplinkoje su tam tikrais apribojimais: kevlaro austinės juostos pradeda anglėti, esant 425 - 480 °C (800 - 900 °F) temperatūrai. Kevlaro austinės juostos gali atlaikyti trumpalaikį iki 535 °C (1 000 °F) temperatūros poveikį. Poliesterio austinės juostos praranda tvirtumą, esant 145 - 200 °C (300 - 400 °F) temperatūrai. Ant įrangos esančios PVC dangos lydymosi temperatūra yra maždaug 175 °C (350 °F).

Nors PVC padengta bei cinkuota įranga yra labai atspari korozijai dėl cheminių medžiagų, rūgščių, šarmų ir atmosferos poveikio, gali tekti dažniau atlikti jos patikrą. Jei kyla klausimų dėl šios įrangos naudojimo pavojingoje aplinkoje, pasitarkite su 3M atstovu.

2.0 SISTEMŲ NAUDOJIMAS

2.1 Gelbėjimo darbų planas. Šios įrangos naudojimo ir posistemės (-ių) prijungimo atveju darbdavys turi būti parengęs gelbėjimo planą bei priemones naudotojams¹, įgaliotiesiems asmenims² ir gelbėtojams³ informuoti.

2.2 Patikrų dažnumas. Viso kūno saugos diržų patikrą kiekvieną kartą prieš ją naudojant turi atlikti naudotojas ir ne rečiau kaip kartą per metus⁴ – nepriklausomas kompetentingas asmuo⁵. Patikros tvarka yra aprašyta *naudojimo instrukcijos skyriuje „Patikrų ir priežiūros žurnalas“*. Kiekvienos kompetentingo asmens patikros rezultatai turi būti registruojami patikrų ir priežiūros žurnalo blankuose arba sekami, naudojant atpažinimo radijo dažniu sistemą (žr. „Patikra“).

3M reikalaujant (dėl įrangos sudėtingumo ar naujoviškumo) arba jei ardant, iš naujo surenkant ar tikrinant įrangą būtinos specialiosios žinios, periodinę patikrą gali atlikti tik 3M specialistai arba 3M įgalioti asmenys bei organizacijos.

2.3 KOMPONENTŲ SUDERINAMUMAS. 3M įranga yra pritaikyta naudoti tik su 3M patvirtintais komponentais ir posistemėmis. Naudojant nepatvirtintus komponentus arba posistemas, gali kilti pavojus įrangos suderinamumui ir tai gali turėti įtakos visos sistemos saugai bei patikimumui.

2.4 JUNGČIŲ SUDERINAMUMAS. Jungtys yra suderinamos su jungiamaisiais elementais tada, kai jos yra pritaikytos naudoti kartu ir dėl dydžio ar formos jų fiksatoriai savaime neatsidaro nepriklausomai nuo jų orientacijos. Jei kilo klausimų dėl suderinamumo, susisiekite su 3M atstovu. Jungtys (kabliai, karabinai ir D formos žiedai) turi atlaikyti ne mažesnę kaip 22 kN (4 946 lbf) apkrovą. Jungtys turi būti suderinamos su inkaravimo įtaisais ir kitais sistemos komponentais. Nenaudokite nesuderinamos įrangos. Nesuderinamos jungtys gali netyčia atsikabinti (žr. 5 pav.). Jungtys turi būti suderinamos dydžio, formos ir tvirtumo požiūriu. Jei jungiamasis elementas, prie kurio tvirtinamas kablys su saugikliu (pavaizduotas) arba karabinas yra per mažas arba netaisyklingos formos, jungiamasis elementas gali paveikti kablo su saugikliu arba karabino fiksatorių. Dėl šio poveikio fiksatorius gali atsідaryti ir kablys su saugikliu arba karabinas gali atsikabinti nuo jungiamojo taško. Kabliai su saugikliais ir karabinai turi būti savaime užsifikuojantys.

2.5 SUJUNGIMAI. Su šia įranga naudokite tik savaime užsifikuojančius kablius su saugikliais ir karabinus. Naudokite tik atliekamą darbą atitinkančias jungtis. Pasirūpinkite, kad jungtys būtų suderinamos dydžio, formos ir tvirtumo požiūriu. Nenaudokite nesuderinamos įrangos. Pasirūpinkite, kad visos jungtys būtų iki galo uždarytos ir užfiksotos.

3M jungtys (kabliai su saugikliais ir karabinai) yra pritaikyti naudoti tik taip, kaip nurodyta kiekvieno iš jų instrukcijoje. Netinkami sujungimai pavaizduoti 6 pav. 3M kabliai su saugikliais ir karabinai neturi būti jungiami:

- prie D formos žiedo, prie kurio yra prijungta kita jungtis;
- taip, kad fiksatorius būtų veikiamas apkrovos;
- netaisyklingai, kur atsikišantys kablo su saugikliu ar karabino elementai užgriebia inkarą ir neapžiūrėjus atrodo, kad jie yra tinkamai prikabinėti prie inkaravimo taško;
- vienas su kitu;
- tiesiai prie austinės juostos, virvinio lyno arba stropo (nebent lyno ir jungties gamintojo instrukcijoje nurodyta, kad toks jungimas yra galimas);
- prie bet kokie daikto, dėl kurio formos ar matmenų kablys su saugikliu iki galo neužsidaro ir neužfiksuoja arba gali išsprūsti;
- taip, kad esant apkrovai, jungtis negalėtų tinkamai susilygiuoti.

2.6 JUNGIAMOSIOS POSISTEMĖS. Jungiamosios posistemės (savaime ištraukianti gelbėjimo virvė, lynas, gaudytuvai ir gelbėjimo virvė, kabelio mova ir t. t.) turi atitikti naudojimo sritį (žr. 1.1 skyrių). Daugiau informacijos ieškokite posistemės gamintojo instrukcijoje. Kai kurių modelių saugos diržai turi juostinės kilpos jungiamuosius taškus. Nejunkite kablo su saugikliais prie juostinių kilpų. Prie juostinių kilpų junkite savaime užsifikuojančius karabinus. Pasirūpinkite, kad karabino fiksatoriaus negalėtų paveikti apkrova (apkrova turi veikti ne fiksatorių, o išilgai pagrindinės karabino ašies). Kai kurie lynai yra pritaikyti užsiveržti ant juostinės kilpos suderinamai jungčiai gauti. Lynai gali būti prisiūti tiesiai prie juostinės kilpos neišardomai jungčiai suformuoti. Nenaudokite vienos juostinės kilpos keliems sujungimams suformuoti, išskyrus atvejus, kai ant tinkamo dydžio juostinės kilpos užveržiami du lynai. Norėdami užveržti lyną ant juostinės kilpos (7 pav.): A) prakiškite lyno juostinę kilpą pro saugos diržo juostinę kilpą arba D formos žiedą; B) prakiškite atitinkamą lyno galą pro lyno juostinę kilpą; C) traukite lyną pro jungiamąją juostinę kilpą, kad užfiksotumėte jungtį.

2.7 LAIKINAS LYNŲ ĮTVIRTINIMAS. 8 pav. pavaizduotas laikinas lyno įtvirtinimas. Lyno laikino įtvirtinimo priedas yra skirtas laisvajam lyno arba ant saugos diržo sumontuoto savaime ištraukiančio įtaiso galui įtvirtinti, kai jis nėra prijungtas prie inkaravimo jungiamojo taško apsaugos nuo kritimo tikslu. Lyno laikino įtvirtinimo priedas jokia būdu negali būti naudojamas kaip saugos diržo apsaugos nuo kritimo tvirtinimo elementas lynui arba savaime ištraukiančiam įtaisui (A) tvirtinti.

Neprijungta lyno atšaka, kai ji nėra prijungta prie inkaravimo jungiamojo taško, turi būti tinkamai laikinai įtvirtinta ant saugos diržo (B) arba naudotojas turi laikyti ją rankoje visais 100 % tvirtinimo atvejais (Tie-Off) (C). Palaidos lyno atšakos (D) gali trukdyti naudotojui arba užkliūti už aplinkinių objektų ir tapti kritimo priežastimi.

1 Naudotojas: asmuo, kuris atlieka aukštuminius darbus naudodamas asmeninę apsaugos nuo kritimo sistemą.

2 Įgaliotasis asmuo: darbdavio įgaliotas asmuo, einantis pareigas objekte, kur atliekami darbai, susiję su kritimo pavojumi.

3 Gelbėtojas: asmuo arba asmenys, išskyrus gelbėjimo subjektą, kurie atlieka gelbėjimo darbus naudodami gelbėjimo sistemą.

4 Patikrų dažnumas: esant ekstremalioms darbo sąlygoms (nepalankios aplinkos sąlygos, ilgalaikis naudojimas ir t. t.), kompetentingo asmens atliekamų patikrų dažnumą gali tekti padidinti.

5 Kompetentingasis asmuo: asmuo, kuris geba atpažinti esamus bei nuspėjamus veiksnius, susijusius su aplinka ar darbo sąlygomis, kurie kelia pavojų darbuotojams higienos, sveikatos ar saugos požiūriu, ir kuris yra įgaliotas nedelsiant imtis priemonių jiems eliminuoti.

3.0 SAUGOS DIRŽŲ NAUDOJIMAS

3.1 KIEKVIENĄ KARTĄ PRIEŠ NAUDODAMI šią įrangą patikrinkite ją pagal skyrių „Patikrų ir priežiūros žurnalas“ (1 lentelė).

3.2 SUSIPLANUOKITE sistemą prieš naudodami. Atsižvelkite į visus veiksnius, kurie gali turėti įtakos saugiam šios įrangos naudojimui. Toliau pateiktame sąrašė nurodyti svarbiausi punktai, į kuriuos reikia atsižvelgti, planuojant sistemą.

- **Inkaravimo įtaisas.** Pasirinkite inkaravimo įtaisą, atitinkantį numatytos apsaugos nuo kritimo vietos statinės apkrovos reikalavimus (žr. 1.1 skyrių). Inkaravimo vieta turi atitikti laisvojo kritimo, kritimo aukščio atsargos, siūbuojamojo kritimo ir aplinkos apribojimus, aprašytus 1.4 skyriuje.
- **Aštrios briaunos.** Nedirbkite ten, kur sistemos komponentai gali liestis arba trintis į neuždengtas aštrias briaunas.
- **Po kritimo.** Komponentų, kurie buvo paveikti apkrovos stabdant kritimą, nebenaudokite, sunaikinkite juos.
- **Gelbėjimas.** Darbdavys, naudojantis šią įrangą, turi būti parengęs gelbėjimo planą. Darbdavys turi būti pasirėngęs greitai ir saugiai atlikti gelbėjimo darbus.
- **Gelbėjimo apraišas.** Gelbėjimo apraišai (EN 1497) yra skirti dėvėti įprasto darbo metu. Prieš pirmąjį kartą naudojant gelbėjimo apraišo elementus, naudotojas turi atlikti kabėjimo bandymą saugiomis sąlygomis, kad įsitikintų, jog apraišas yra tinkamo dydžio ir tinkamai priderintas, kad užtikrintų optimalų patogumą kabant.
- **Darba pozicionėšana:** izmantojot darba pozicionėšanas sistemų, vienmėr apsveriet nepieciešamību izmantot rezerves personīgo kritienu aizsardzības sistemų (piemėram, kritiena aizturėšanas sistemų). Visada naudokite tvirtinimo taška, esantį juosmens lgygyje arba virš jo.

3.3 SAGTYS. Ant viso kūno saugos diržų yra įvairios sagtys kojų diržams ir krūtinės diržams užsegti bei reguliuoti. Ant kūno saugos diržų yra liežuvelinė sagtis. Saugos diržų sagčių tipai pateikti 1 pav. 9 pav. pavaizduota, kaip veikia kiekviena iš sagčių.

1. Sparčiojo sujungimo sagtys

- A. Norėdami užsegti sparciojo sujungimo sagtį, įstatykite plokštelę į lizdą taip, kad pasigirstų spragtelėjimas.
- B. Norėdami sureguliuoti prijungtą juostinį stropą: patraukite juostinį stropą per sagties plyšį pirmyn arba atgal, kad jį įtemptumėte arba atlaisvintumėte.
- C. Norėdami atsegti sparciojo sujungimo sagtį: spauskite užrakto svirtis, esančias abiejose lizdo pusėse ir ištraukite plokštelę iš lizdo.

2. Kiaurinės sagtys

- A. Prakiškite kištukinę dalį per lizdinę dalį.
- B. Įtempkite laisvąjį stropo galą taip, kad kištukinė dalis susiliestų su lizdine dalimi. Pritaisykite laisvąjį stropo galą stropo laikikliu.

3.4 REGULIAVIMAS. Ant saugos diržų yra liemens regulatoriai pečių stropams reguliuoti. 10 pav. pavaizduotas reguliavimas liemens regulatoriais.

1. Parašiotiniai liemens regulatoriai. Norėdami sureguliuoti pečių stropus parašiotiniais liemens regulatoriais:

- A. Traukite laisvąjį stropo galą, kad įtemptumėte pečių stropą; pečių stropui atlaisvinti patraukite laisvąjį stropo galą, po to stumkite stropą atgal per parašiotinį regulatorių.
- B. Tinkamai sureguliuavę, pritaisykite laisvąjį stropo galą stropo laikikliu.

Jei yra velcro juostos galo valdymas (žr. 11 paveikslą), laisvą juostos juostą atsukite atgal iki tvirto (A), užsekite velcro juosteles atgal per dirželį ir pritvirtinkite juosteles (B). Įsitinkinkite, kad ritinėlis yra tvirtai pritvirtintas, o diržų laikiklis yra paslinktas arti ritinio (C).

3.5 VISO KŪNO SAUGOS DIRŽŲ UŽSIDĖJIMAS IR PRITAIKYMAS. 13 pav. pavaizduotas viso kūno saugos diržų užsidėjimas ir pritaikymas. Kiekvieną kartą prieš naudodami patikrinkite saugos diržus pagal kontrolinį sąrašą, pateiktą skyriuje „Patikrų ir priežiūros žurnalas“ (1 lentelė). Saugos diržų užsidėjimas ir pritaikymas

Saugos diržų stropų užsegimo tvarka skiriasi priklausomai nuo saugos diržų modelio. Išsamią informaciją rasite 3.3 ir 3.4 skyriuje bei 9 ir 10 pav.

1. Pakelkite ir laikykite saugos diržus už nugarinio D formos žiedo. Patikrinkite, ar stropai nėra persisukę.
2. Suimkite pečių stropus ir uždėkite saugos diržus ant vienos rankos. Nugarinis D formos žiedas bus jūsų nugaros pusėje. Patikrinkite, ar stropai nėra susipainioję ir laisvai kabo. Prakiškite laisvąją ranką per saugos diržus ir nustatykite pečių stropus ant savo pečių. Tinkamai užsidėjus, krūtinės stropas ir krūtinės sagtis bus jums iš priekio.
3. Prakiškite ranką tarp kojų ir suimkite dešiniąją kojos stropą. Ištraukite stropą tarp kojų, užsekite jungiamąją sagtį ant dešiniojo klubo ir sureguliuokite kojos stropą taip, kad jis patogiai priglustų (sagties naudojimas – žr. 3.3 skyrių). Tinkamai sureguliuavę, pakiškite laisvąjį stropo galą po stropo laikikliu.
Analogiškai užsekite ir sureguliuokite kairiąją kojos stropą.
4. Jei yra, sureguliuokite ir užsekite juosmens diržo liežuvelinę sagtį (liežuvelinės sagties naudojimas – žr. 3.3 skyrių).
5. Užsekite ir sureguliuokite krūtinės stropą (sagties naudojimas – žr. 3.3 skyrių). Krūtinės stropas turi būti per 15 cm (6 in) žemiau jūsų pečių viršaus. Tinkamai sureguliuavę, pakiškite laisvąjį krūtinės stropo galą po stropo laikikliu.
6. Sureguliuokite pečių stropus taip, kad jie priglustų prie liemens regulatorių (liemens regulatorių naudojimas – žr. 3.4 skyrių). Kairiojo ir dešiniojo pečių stropo ilgis turi būti sureguliuotas vienodai, o krūtinės stropas turi būti krūtinės apatinėje dalyje, per 15 cm (6 in) žemiau pečių. Nugarinis D formos žiedas turi būti per vidurį tarp menčių. Priekinis D formos žiedas, jei jis yra, turi būti horizontalioje linijoje per 5 cm (2 in) nuo saugos diržų vertikalios centrinės linijos.

Naudojimo metu reguliariai tikrinkite tvirtinimo ir reguliavimo elementus

- 3.6 KRITIMO SUSTABDYMO D FORMOS ŽIEDO ARBA TVIRTINIMO ELEMENTO NAUDOJIMAS.** Kritimo sustabdymas tvirtinimo taškai pažymimi didele raide „A“. Kai saugos diržai naudojami kritimui sustabdyti, prisiekite už nugarinio D formos žiedo arba tvirtinimo elemento, esančio ant nugaros tarp menčių, arba Priekinis krūtinkaulio D formos žiedas tvirtinimo elementas ant krūtinės. Šoniniai D formos žiedai, jei jie yra, skirti tik darbo padėčiai nustatyti ir kūnui sulaikyti. Pečių tvirtinimo elementai skirti tik gelbėjimo ir ištraukimo darbams atlikti. Priekinis krūtinkaulio D formos žiedas naudojamas tik laipiojant kopėčiomis ir nustatant darbo padėtį. D formos žiedai ant pakabinamosios sėdynės naudojami tik kabėjimo ir padėties nustatymo atveju. (žr. 1.1. skyrių).
- 3.7 SUJUNGIMAS.** Naudodami kablį prisijungimo prie inkaravimo įtaiso arba sistemos komponentų sujungimo tikslu pasirūpinkite, kad jis neišsprūstų. Kablys išsprūsta tada, kai dėl jo bei jungiamojo elemento sąveikos kablo fiksatorius neplanuotai atsidaro ir atsilaisvina. Išsprūdimo tikimybei sumažinti naudokite savaime užsifiksuojančius kablius ir karabinius. Nenaudokite kablų ir jungčių, kurios ne iki galo užsidaro ant tvirtinimo elemento. Daugiau informacijos apie sujungimą ieškokite posistemės gamintojo instrukcijoje.
- 3.8 SISTEMOS KOMPONENTŲ SUJUNGIMAS.** Pritaikius saugos diržus, galima prijungti kitus sistemos komponentus. Vadovaukitės 2 skyriuje ir kartu su komponentu pateiktoje jo gamintojo instrukcijoje pateiktais nurodymais.

4.0 PATIKRA

- 4.1 PATIKRŲ DAŽNUMAS.** Viso kūno saugos diržų patikros turi būti atliekamos 2.2 skyriuje nurodytais intervalais. Patikros tvarka aprašyta skyriuje „Patikrų ir priežiūros žurnalas“ (1 lentelė).
- 4.2 DEFEKTAI.** Jei patikros metu aptinkamas defektas, nebenaudokite saugos diržų ir juos sunaikinkite.
- 4.3 GAMINIO NAUDOJIMO TRUKMĖ.** Apraišų funkcinis naudojimo laikas priklauso nuo darbo sąlygų ir priežiūros. Maksimali naudojimo trukmė gali būti nuo 1 metų intensyviai naudojant ekstremaliomis sąlygomis iki 10 metų retai naudojant švelniomis sąlygomis. Jei gaminyje atitinka patikros kriterijus, juo galima naudotis iki 10 metų.

5.0 PRIEŽIŪRA, REMONTAS IR LAIKYMAS

Nevalykite ir nedezinfekuokite gaminio jokia kitu būdu, išskyrus aprašytąjį toliau pateiktose valymo instrukcijose. Kiti metodai gali turėti neigiamą poveikį gaminiui arba naudotojui.

- 5.1 VALYMAS.** 3M viso kūno diržus reikia valyti taip, kaip nurodyta 3M instrukcijose. Norėdami išvalyti diržus, plaukite juos švelniu valikliu be baliklio, tada išskalaukite. Vėliau diržus reikia pakabinti ir džiovinti ore. Valyti naudojamas vanduo ir džiovinti oru naudojama temperatūra niekada neturėtų viršyti 54,4°C (130°F). Jei reikia daugiau informacijos, žr. techninį biuletinį mūsų svetainėje: <http://www.3M.com/FallProtection/WebCleaning>

Jei turite klausimų dėl valymo procedūrų, kreipkitės į 3M techninės priežiūros tarnybą.

- 5.2 TAISYMAS:** Viso kūno apraišos netaisomos. Jeigu apraišos patyrė kritimo jėgas arba patikrinus aptinkama nesaugi būklė ar defektų, nedelsdami nustokite naudotis apraišomis ir sunaikinkite jas.
- 5.3 LAIKYMAS IR TRANSPORTAVIMAS.** Laikykite ir transportuokite viso kūno saugos diržus vėsioje, sausoje ir švarioje aplinkoje, saugokite nuo tiesioginių saulės spindulių. Saugokite nuo cheminių medžiagų garų. Po ilgalaikio sandėliavimo kruopščiai patikrinkite saugos diržus.

6.0 ŽENKLINIMAS

14 pav. pavaizduotos gaminio etiketės ir jų išdėstymas ant viso kūno saugos diržų. Visos etiketės turi būti savo vietose ir aiškiai įskaitomos.

Kiekvienoje etiketėje pateikiama tokia informacija:

1	(A) Sacensību punkts apstāšanās vietā, kas apzīmēts ar lielo burtu "A" (B) Uzlīmes atrašanās vieta
2	(A) Patikrų žurnalas (B) Serijos numeris (C) Pirminis (D) Data (E) Nenuimkite šios etiketės.
3	(A) Naudotojo informacinė etiketė
4	(A) Serijos numeris (B) Pagaminimo mėnuo (C) Pagaminimo metai (D) Partijos numeris (E) Modelį numurs (F) Europos standartas (G) Apkrova (H) Dydis (I) Žr. instrukciją (J) CE markėjums (K) Notifikuotosios įstaigos, atlikusios tipo atitikties patikrinimą, numeris (L) Diržo dydis

Pirms šī ķermeņa pilnēkipējuma lietošanas, lūdz, izlasiet, saprotiet un ievērojiet visu šajā instrukcijā sniegto drošības informāciju. PRETĒJĀ GADĪJUMĀ PASTĀV NOPIETNU SAVAINOJUMU VAI NĀVES RISKS.

Šī instrukcija obligāti jāizsniedz aprīkojuma lietotājam. Saglabājiet šo instrukciju, lai varētu to izmantot arī turpmāk.

Paredzētais lietojums

Šo ķermeņa pilnēkipējumu ir paredzēts izmantot kā daļu no individuālās pretkritiena aizsardzības iekārtas.

Citādu lietojumu: tajā skaitā, bet ne tikai materiālu pārkraušanā, atpūtas vai sporta aktivitātēs vai citās aktivitātēs, kas šajā Lietotāja instrukcijā nav aprakstītas, 3M nav apstiprinājis, un lietošana neparedzētiem nolūkiem var izraisīt smagus savainojumus vai nāvi.

Šī iekārta paredzēta lietošanai darbavietā tikai apmācītiem lietotājiem.

BRĪDINĀJUMS

Šis ķermeņa pilnēkipējums ir daļa no individuālās pretkritienu aizsardzības iekārtas. Visiem lietotājiem jābūt pilnībā apmācītiem savas individuālās pretkritienu aizsardzības iekārtas drošā instalēšanā. **Nepareizs šīs iekārtas lietojums var izraisīt smagus savainojumus vai nāvi.** Pareizas izvēles, lietošanas, instalēšanas, uzturēšanas un apkopes nolūkos skatiet šo Lietotāja instrukciju un visas ražotāja rekomendācijas, konsultējieties ar savu tiešo vadītāju vai sazinieties ar 3M tehnisko dienestu.

- **Lai mazinātu riskus, kas saistīti ar ķermeņa pilnēkipējuma izmantošanu un nepienācīgas uzmanības gadījumā var izraisīt smagus savainojumus vai nāvi:**
 - pirms katras lietošanas, vismaz reizi gadā un pēc katra kritiena pārbaudiet iekārtu. Pārbaudi veiciet atbilstoši šai Lietotāja instrukcijai;
 - ja pārbaudē tiek konstatēts nedrošs vai defektīvs stāvoklis, izņemiet šo iekārtu no ekspluatācijas un iznīciniet to;
 - visas iekārtas, kas tikušas pakļautas kritiena bloķēšanai vai triecienspēkam, nekavējoties jāizņem no ekspluatācijas un jāiznīcina;
 - nodrošiniet, ka ekipējums tiek lietots pareizi, izvēlēts atbilstošais izmērs un pienācīgi pielāgots;
 - nodrošiniet, ka visi savienojuma elementi (piem., štopes) ir pilnībā pasargāti no visiem bojājumiem, tajā skaitā, bet ne tikai sapīšanās ar citiem strādniekiem, jūs pašu, kustīgām ierīcēm vai citiem tuvumā esošiem priekšmetiem;
 - nodrošiniet, ka visas pretkritiena aizsardzības sistēmas/apakšsistēmas, kas sastāv no atšķirīga ražojuma elementiem, ir savstarpēji saderīgas un atbilst piemērojamiem standartiem, ieskaitot ANSI Z359 vai citus piemērojamās pretkritiena aizsardzības kodeksus, standartus vai prasības. Pirms šo sistēmu lietošanas vienmēr konsultējieties ar kompetentu vai kvalificētu personālu.
- **Lai mazinātu riskus, kas saistīti ar darbu augstumā un nepienācīgas uzmanības gadījumā var izraisīt smagus savainojumus vai nāvi:**
 - nodrošiniet, ka jūsu veselības un fiziskais stāvoklis ļauj jums droši izturēt visu ar darbu augstumā saistīto slodzi. Ja jums ir kādi jautājumi par savu spēju šo aprīkojumu lietot, konsultējieties ar savu ārstu;
 - nekad nepārsniedziet savu kritienu novēršanas ekipējuma veikspēju;
 - nekad nepārsniedziet savu kritienu novēršanas ekipējuma maksimālo brīvā kritiena distanci;
 - neizmantojiet nekādu pretkritiena aizsardzības ekipējumu, kas nav izturējis pirmslietošanas vai citas plānotās pārbaudes, vai, ja jums ir bažas par ekipējumu piemērotību vai lietošanu jūsu vajadzībām. Ar visiem jautājumiem vērsieties pie 3M tehniskā dienesta;
 - dažas apakšsistēmu un elementu kombinācijas var traucēt šī ekipējuma darbību. Lietojiet tikai saderīgus savienojumus. Pirms šī ekipējuma lietošanas savienojumā ar tādiem elementiem vai apakšsistēmām, kas nav aprakstīti šajā Lietotāja instrukcijā, konsultējieties ar 3M;
 - strādājot kustīgu ierīču tuvumā (piem., naftas platformu augšējās piedziņas sistēmās), apstākļos, kad pastāv elektrības trieciena, pārmērīgu temperatūru, ķīmiskā apdraudējuma, sprāgstvielu vai toksiskas gāzes, asu malu radīts risks, vai zem materiāliem, kas var uzkrīst jums vai jūsu pretkritiena aizsardzības ekipējumam, ievērojiet īpašu piesardzību;
 - strādājot lielā karstumā, lietojiet Arc Flash vai Hot Works iekārtas;
 - izvairieties no virsmām un priekšmetiem, kas var kaitēt lietotājam vai ekipējumam;
 - strādājot augstumā, nodrošiniet pienācīgu kritiena klīrensu;
 - nekad nepārveidojiet un nepārtaisiet savu pretkritiena aizsardzības ekipējumu. Aprīkojumu labot drīkst tikai 3M vai no 3M rakstisku atļauju saņēmušas personas;
 - pirms pretkritiena aizsardzības ekipējuma lietošanas pārlicinieties, ka pastāv spēkā esošs glābšanas plāns, kas kritiena gadījumā ļauj veikt tūlītējus glābšanas darbus;
 - kritiena gadījumā nekavējoties izsaučiet medicīnisko palīdzību kritušā strādnieka aprūpei;
 - neizmantojiet ķermeņa jostu kritiena bloķēšanai. Izmantojiet tikai pilnu ķermeņa ekipējumu;
 - lai pēc iespējas samazinātu svārsta efekta izraisītu kritienu, pēc iespējas strādājiet tieši zem enkurspunkta;
 - mācoties lietot šo iekārtu, jāizmanto papildu pretkritiena sistēma, lai nepakļautu apmācāmo neparedzēta kritiena riskam;
 - instalējot, lietojot vai pārbaudot ekipējumu/sistēmu, vienmēr lietojiet atbilstošus individuālās aizsardzības līdzekļus.

Pirms šī ekipējuma lietošanas pārrakstiet izstrādājuma identifikācijas datus no ID marķējuma šīs rokasgrāmatas beigās esošajā "Pārbaudes un apkopes žurnālā".

Vienmēr pārlicinieties, vai izmantojat jaunāko 3M instrukciju rokasgrāmatu. Apmeklējiet 3M vietni vai sazinieties ar 3M tehnisko dienestu, lai saņemtu atjauninātu instrukciju rokasgrāmatu.

APRAKSTS

1. attēlā norādīti pieejamie 3M™ Protecta® ķermeņa pilnēkipējuma modeļi. Iejūga modeļi ir pieejami ar dažādu tālāk minēto elementu komplektāciju:

	1. attēla norāde:	Apraksts:
Izmēri	S, M/L, XL	Mazs, vidējs/liels, ļoti liels
	Ⓑ	Jostas izmērs cm
Savienojuma elementi	①	Dorsāls D-gredzens
	②	Krūšu daļā D-gredzens
	③	Gurnu daļā D-gredzeni
	④	Plecu savienojumi
Sprādzes	⑤	Ātrā savienojuma sprādzes
	⑥	Caurveramās sprādzes
Regulētāji	⑦	Izpletņa sistēmas torsa regulētāji
Polsteri	⑧	Jostas un gurnu polsteris
	⑨	Kājas polsteris
Papildelementi	⑩	Atvāžami automātiskie štrošes fiksatori
	⑪	Auduma saišu fiksators - Skatīt 11. attēlu
	⑫	Gelbējimo diržas
	⑬	Instrumento kilpa

SPECIFIKĀCIJA

Veiktspēja:	
Maksimālais bloķēšanas spēks:	6 kN (1 349 lbf)
Kapacitāte:	140 kg (310 lb.)
Izmantošanas temperatūra:	Minimālā: -35 °C (-31 °F) Maksimālā: +57 °C (135 °F)

Materiāli:	
Auduma daļas	Poliesters - stiepes stiprība 22 kN (4 946 lbf)
Polsterējuma pārklājums	Neilona un poliestera maisījums
Marķējuma pārklājums	Neilona un poliestera maisījums
Diegi	Poliestera diegi poliestera audumā
D-gredzeni	Leģēts tērauds - stiepes stiprība 22 kN (4 946 lbf)
Ātrā savienojuma sprādzes	Tērauds, nerūsošs tērauds un leģēts tērauds - stiepes stiprība 18 kN (4 047 lbf)
Caurveramās sprādzes	Leģēts tērauds - stiepes stiprība 18 kN (4 047 lbf)
Izpletņa sistēmas torsa regulētāji	Leģēts tērauds - stiepes stiprība 18 kN (4 047 lbf)

1.0 LIETOŠANAS VEIDI

1.1 MĒRĶIS Ķermeņa pilnekipējums jāizmanto kā daļa no individuālās pretkritiena aizsardzības iekārtas, kas paredzēta kritiena novēršanai vai drošai kritiena bloķēšanai (skatīt 2. attēlu). Ķermeņa pilnekipējums tiek izmantotas šādos nolūkos.

(A)	Kritiena bloķēšana (EN360, EN361, EN355): individuālās kritiena bloķēšanas iekārtas parasti ietver ķermeņa pilnekipējumu un savienojošu apakšsistēmu (enerģiju absorbējošas štropes, pašievelkošu ierīci u.c.). Maksimālais bloķēšanas spēks nedrīkst pārsniegt 6 kN (1 349 lbf). <i>Enkurojuma stiprums:</i> atlasītajam enkurojumam jāiztur 12 kN (2 698 lbf) vai lielāka slodze.
(B)	Darba pozīcijas (EN358, EN813): līdzekļi darba pozīcijām parasti ietver ķermeņa pilnekipējumu, pozicionēšanas štropi un individuālo kritiena bloķēšanas rezerves sistēmu. Izmantojot līdzekļus darba pozīcijām, savienojiet darba pozīciju apakšsistēmu (piemēram: štropi, Y-štropi u.c.) ar zemāko (gurnu līmeņa) sānos vai jostā iemontēto darba pozīcijas enkurojuma elementiem (D-gredzeni). Nekad nelietojiet šos savienojuma punktus kritiena bloķēšanai. <i>Savienojuma elementi:</i> frontālais, gurns. <i>Enkurojuma stiprums:</i> atlasītajam enkurojumam jāiztur 12 kN (2 698 lbf) vai lielāka slodze.
(C)	Kāpšana (EN353-1): ķermeņa pilnekipējumu lieto kā daļu no kāpšanas sistēmas, lai novērstu lietotāja kritienu, kad tas kāpj pa trepēm vai citu kāpšanai domātu konstrukciju. Kāpšanas sistēmas parasti ietver ķermeņa pilnekipējumu, vertikālu konstrukcijai piestiprinātu kabeli vai sliedi un kāpšanas piedurkni. Izmantojot līdzekļus kāpšanai pa trepēm, kritiena bloķēšanai, kāpjot pa fiksētām trepēm, var izmantot iejūgus, kas aprīkoti ar frontālo d-gredzenu krūšu daļā. <i>Savienojuma elementi:</i> krūšu daļa. <i>Enkurojuma stiprums:</i> struktūrai, pie kuras piestiprināta kāpšanas sistēma, jāiztur kāpšanas sistēmas ražotāja dokumentos noteiktā slodze.
(D)	Glābšana (EN1496, EN1497, EN1498): ķermeņa pilnekipējumu lieto kā daļu no glābšanas sistēmas. Glābšanas sistēmas tiek konfigurētas atkarībā no glābšanas veida. Izmantojot lietošanai ierobežotās vietās (noslēgtās vietās) paredzētās iekārtas, ar D-gredzeniem plecu daļā aprīkotos iejūgus var izmantot iekļūšanai un izkļūšanai no noslēgtām vietām, kur darbinieka aizsardzība ir sarežģīta. <i>Savienojuma elementi:</i> dorsāls, krūšu daļas, frontāls, plecu daļas. <i>Enkurojuma stiprums:</i> atlasītajam enkurojumam jāiztur 12 kN (2 698 lbf) vai lielāka slodze.
(E)	Kontrolēta nolaišanās (EN341): izmantojot kontrolētas nolaišanās iekārtas, ar vienu krūšu daļas D-gredzenu, vienu vai diviem frontāli novietotiem D-gredzeniem vai zem jostas līnijas novietotu savienojumu pāri (piem., sēdcilpu) aprīkotos iejūgus var lietot savienojumā ar nolaišanās vai evakuācijas sistēmu. <i>Savienojuma elementi:</i> dorsāls, krūšu daļas, frontāls. <i>Enkurojuma stiprums:</i> atlasītajam enkurojumam jāiztur 12 kN (2 698 lbf) vai lielāka slodze.
(F)	Ierobežotājsistēma (EN354): ķermeņa pilnekipējumu lieto kā daļu no ierobežotājsistēmas, lai pasargātu lietotāju no kritiena riska. Ierobežotājsistēmas parasti iekļauj ķermeņa pilnekipējumu un štropi vai ierobežotājliniju. <i>Savienojuma elementi:</i> dorsāls, krūšu daļas, frontāls, gurnu daļas. <i>Enkurojuma stiprums:</i> atlasītajam enkurojumam jāiztur vismaz 18 kN (4 047 lbf), ja virves, ieskaitot visus tekstilmateriālus vai tekstilmateriālu virves elementus, piemēram, izmanto sintētiskās šķiedras virves vai siksnas. Ja izmanto virves, kas izgatavotas tikai no metāla elementiem, stiprinājumam ir jābūt vismaz 12 kN (2 698 lbf) slodzēm.

1.2 STANDARTI Šajā pamācībā ietvertie iejūgi atbilst uz šīs instrukcijas priekšējā vāka norādītajam(-iem) standartam(-iem). Ja šo izstrādājumu atkārtoti pārdod ārpus sākotnējās izcelsmes valsts, tālāk pārdevējam jānodrošina, lai šī instrukcija būtu pieejama tās valsts valodā, kur šo izstrādājumu lieto.

1.3 APMĀCĪBA Šī ekipējuma lietotājs un pircējs atbild par šīs instrukcijas apgūšanu, par sagatavotību pareizas ekipējuma apkopes un lietošanas ziņā un informētību par lietošanas raksturlielumiem, iekārtas lietošanas ierobežojumiem un nepareizas lietošanas sekām.

1.4 IEROBEŽOJUMI Pirms šī ekipējuma lietošanas vienmēr ņemiet vērā tālāk minētos šīs iekārtas lietošanas ierobežojumus.

- **KAPACITĀTE** Ķermeņa pilnekipējumu paredzēts lietot personām, kuru kombinētais svars (apģērbs, darbarīki u.c.) nepārsniedz 140 kg (309 lb.). Pārlicinieties, ka visi jūsu sistēmas elementi ir piemēroti jūsu ekipējuma kapacitātei.
- **BRĪVAIS KRITIENS** Kritiena apturēšanas sistēma ietver enerģijas absorbējošos elementus vai funkcijas, lai nodrošinātu, ka trieciena spēki uz lietotāja ķermeņa brīvā kritiena apturēšanas laikā nepārsniedz 6 kN (1 349 lbf). Ierobežotājsistēmām jābūt uzstādītām tā, lai brīvais kritiens nepārsniegtu 60 cm (24 in.) vai mazāk. Individuālajām pacēlējumsistēmām jābūt uzstādītām tā, lai vertikāls brīvais kritiens nebūtu iespējams. Glābšanas sistēmām jābūt uzstādītām tā, lai vertikāls brīvais kritiens nebūtu iespējams. Sīkāku informāciju skatīt apakšsistēmas ražotāja instrukcijā.
- **KRITIENA KLĪRENSS** 3. attēlā redzami kritiena bloķēšanas elementi. Nepieciešams pietiekams kritiena klīrenss (KK), lai bloķētu kritienu, pirms lietotājs saskaras ar zemi vai citu šķērslī. Klīrensu ietekmē virkne faktoru, tajā skaitā šādi: (A) štropes garums; (B) štropes ātruma samazinājuma attālums jeb SRD maksimālā bloķēšanas distance; (C) iejūga stiepums un D-gredzena/savienojuma garums un novietojums (parasti 0,5 m (1,6 ft.) drošības faktors). Sīkākus norādījumus kritiena klīrensa aprēķināšanai skatiet štropei vai pašievelkošai iekārtai pievienotajā instrukcijā.
- **SVĀRSTA EFEKTA IZRAISĪTI KRITIENI** Svārsta efekta izraisīti kritieni notiek, kad enkurpunkts neatrodas tieši virs punkta, kur notiek kritiens (skatīt 4. attēlu). Spēks, ar kādu notiek sadursme ar priekšmetu svārsta efekta izraisīta kritiena laikā, var izraisīt smagas traumas vai nāvi. Lai pēc iespējas samazinātu svārsta efekta izraisītu kritienu, pēc iespējas strādājiet tieši zem enkurpunkta. Nepieļaujiet svārsta efekta izraisītu kritienu, ja iespējama savainošanās. Svārsta efekta izraisīti kritieni ievērojami palielinās nepieciešamo klīrensu gadījumos, kad tiek lietota pašievelkošā iekārta vai cita mainīga garuma savienojoša apakšsistēma.
- **ILGSTOŠA IEKĀRŠANA UN IEKĀRŠANAS TRAUMA** Ķermeņa pilnekipējumu nav paredzēts lietot ilgstošas iekāršanas iekārtās. Ilgstoša iekāršana var izraisīt iekāršanas traumu. Ja lietotāju paredzēts iekārt uz ilgāku laiku, ieteicams izmantot kādu no sēdbalsta veidiem. 3M iesaka izmantot sēddēli, iekaramu darba sēdekli, sēdcilpu vai bocmaņa krēslu. Lai saņemtu sīkāku informāciju par šīm precēm, sazinieties ar 3M.
- **VIDES RISKI** Šī ekipējuma izmantošana vietās, kur pastāv vides riski, prasa papildu piesardzības pasākumus, lai novērstu lietotāja traumatismu vai ekipējuma bojājumu. Pie šādiem riskiem pieder ne tikai, bet arī karstums, ķīmiskās vielas, korodējoša vide, augstsprieguma līnijas, gāzes, kustīgi mehānismi un asas malas.
- **IEJŪGI VIDEI AR AUGSTU TEMPERATŪRU** Iejūgi ar Kevlar audumu paredzēti lietošanai augstas temperatūras apstākļos ar šādiem ierobežojumiem: Kevlar audums sāk pārlogloties pie 425 - 480 °C (800 - 900 °F). Kevlar audums var izturēt tādas temperatūras ierobežotu iedarbību, kas nepārsniedz 535 °C (1 000 °F). Poliesteru audums zaudē izturīgumu pie 145 - 200 °C (300 - 400 °F). Uz izstrādājumiem esošā PVC pārklājuma kušanas punkts ir aptuveni 175 °C (350 °F).

Lai arī PVC pārklājumam un cinkotiem izstrādājumiem ir augsta noturība pret koroziju ar ķīmiskām vielām piesātinātā, skābā, sārmainā un atmosfēras vidē, nepieciešamas biežas pārbaudes. Ja jums ir jautājumi par šī ekipējuma izmantošanu kaitīgā vidē, konsultējieties ar 3M.

2.0 SISTĒMAS LIETOŠANA

- 2.1 GLĀBŠANAS PLĀNS** Lietojot šo ekipējumu un savienojošās apakšsistēmas, darba devējam nepieciešams glābšanas plāns un līdzekļi šī plāna īstenošanai un lietotāju¹, pilnvarotu personu un glābēju² iepazīstināšanai ar šo plānu³.
- 2.2 Pārbaudes biežums** Ķermeņa pilnkipējuma pārbaude lietotājam jāveic pirms katras lietošanas reizes un kompetentai personai⁴, kas nav lietotājs, ne retāk kā reizi gadā⁵. Pārbaudes procedūras aprakstītas *lietotāja rokasgrāmatas sadaļā "Pārbaudžu un apkopes žurnāls"*. Visu kompetentas personas veiktu pārbaudžu rezultāti jāfiksē *"Pārbaudžu un apkopes žurnāla"* eksemplāros vai arī jāieraksta Radio frekvences identifikācijas sistēmā (skatīt sadaļu "Pārbaude").

Ja to prasa 3M, ekipējuma sarežģītības vai jaunieveduma dēļ vai kad nepieciešamas būtiskas zināšanas, lai ekipējumu demontētu, izjauktu vai izvērtētu, periodiskās pārbaudes drīkst veikt tikai 3M vai 3M pilnvarotas personas vai organizācijas.

- 2.3 ELEMENTU SAVIETOJAMĪBA** 3M ekipējumu paredzēts lietot tikai kopā ar 3M apstiprinātiem elementiem un apakšsistēmām. Aizvietošana vai nomainīšana, izmantojot neapstiprinātus elementus vai apakšsistēmas, var apdraudēt ekipējuma savietojamību un var ietekmēt visas sistēmas drošumu un uzticamību.
- 2.4 SAVIENOJUMU SAVIETOJAMĪBA** Savienojumi ir savietojami ar savienojošajiem elementiem, kad tie ir paredzēti lietošanai kopā tādā veidā, ka to izmēri un forma neizraisa to slēdzēj mehānismu nejaušu atvēršanos neatkarīgi no novietojuma virziena. Ja jums ir jautājumi par savietojamību, sazinieties ar 3M. Savienojumiem (āķiem, karabīnēm un D-gredzeniem) jāspēj izturēt vismaz 22 kN (4 946 lbf) slodze. Savienojumiem jābūt savietojamiem ar enkurojumu un citiem sistēmas elementiem. Neizmantojiet nesavietojamu ekipējumu. Nesavietojami savienojumi var negaidīti atvienoties (skatīt 5. attēlu). Savienojumiem jābūt savietojamiem izmēra, formas un izturības ziņā. Ja savienojošais elements, kam pievienots fiksējošais āķis (attēlā) vai karabīne, ir pārāk mazs vai neregulāras formas, var veidoties situācija, kad savienojošais elements spiež uz fiksējošā āķa vai karabīnes slēdzēj mehānismu. Šāds spiediens var izraisīt slēdzēj mehānisma atvēršanos, ļaujot fiksējošam āķim vai karabīnei atvienoties no savienojuma punkta. Jāizmanto pašnoslēdzošie fiksējošie āķi un karabīnes.
- 2.5 SAVIENOJUMU VEIDOŠANA** Kopā ar šo ekipējumu izmantojiet tikai pašnoslēdzošos fiksējošos āķus un karabīnes. Izmantojiet tikai tādus savienojumus, kas piemēroti katram konkrētam lietojumam. Pārliedzinieties, ka visi savienojumi ir izmēra, formas un izturības ziņā savietojami. Neizmantojiet nesavietojamu ekipējumu. Pārliedzinieties, ka visi savienojumi ir pilnībā slēgti un nofiksēti.

3M savienojumi (fiksējošie āķi un karabīnes) ir paredzēti tikai katra izstrādājuma lietošanas pamācībā norādītajai lietošanai. Nepareizus savienojumus skatiet 6. attēlā. 3M fiksējošos āķus un karabīnes nedrīkst savienot šādā veidā:

- A. Ar D-gredzenu, kam pievienots cits savienotājs.
 - B. Tādā veidā, kas izraisa spiedienu uz slēdzēj mehānismu.
 - C. Neīstā saslēgumā, kas no fiksējošā āķa vai karabīnes ārā nākošie elementi aizķer enkuru un bez vizuālas pārbaudes rada iespaidu, ka ir kārtīgi piestiprināti enkurspunktam.
 - D. Savā starpā.
 - E. Tieši pie auduma vai virves štopes vai atsaites (ja vien gan štopes, gan savienojuma ražotāju instrukcija īpaši nenorāda, ka šāds savienojums ir atļauts).
 - F. Pie jebkura priekšmeta, kura forma vai dimensijas nepieļauj fiksējošā āķa vai karabīnes kārtīgu noslēgšanu un fiksēšanu vai var izraisīt fiksētā elementa izvelšanos.
 - G. Tādā veidā, kas neļauj savienotajam ieņemt pareizo stāvokli slodzes apstākļos.
- 2.6 SAVIENOJOŠĀS APAKŠSISTĒMAS** Savienojošajām apakšsistēmām (pašieveļkošam stiprinājumam, štopēm, virves satvērējam un stiprinājumam, kabeļa apvalkam u.c.) jābūt piemērotām jūsu izvēlētajam lietojumam (skatīt 1.1. sadaļu). Papildinformāciju skatīt apakšsistēmas ražotāja instrukcijā. Dažiem iejūga modeļiem var būt savienojuma punkti auduma cilpu veidā. Nesavienojiet fiksējošos āķus ar auduma cilpām. Savienojumiem ar auduma cilpām izmantojiet pašnoslēdzošās karabīnes. Pārliedzinieties, ka karabīnei pieliktā slodze negulst šķērseniski slēdzēj mehānismam (slodze, kas iedarbojas uz slēdzēj mehānismu, nevis karabīnes galveno asi). Dažas štopes ir veidotas tā, lai tās ievērtu auduma cilpā un nodrošinātu savietojamu savienojumu. Štopes var iešūt tieši auduma cilpā, veidojot pastāvīgu savienojumu. Neveidojiet vairākus savienojumus vienā un tajā pašā auduma cilpā, izņemot divu štopju ievēršanu pareizā izmēra auduma cilpā. Lai ievērtu štopi auduma cilpā (7. attēls): A) Ievēriet štopi auduma cilpā cauri iejūga auduma cilpai vai D-gredzenam. B) Pareizo štopes galu izvēriet cauri štopes auduma cilpai. C) Izvelciet štopi cauri savienojošai auduma cilpai, lai nostiprinātu to.
- 2.7 ŠTOPES NOVĪETOŠANA** 8. attēlā parādīta štopes novietošana. Štopes novietošanas stiprinājums ir paredzēts štopes brīvā gala vai iejūgā iemontētās pašieveļkošās iekārtas pievienošanai, kad tie nav savienoti ar enkurojuma savienojuma punktu, lai aizsargātu pret kritienu. Štopes novietošanas stiprinājumus nekad nedrīkst izmantot kā pretkrišanas stiprinājuma elementu uz iejūga, kur pievieno štopi vai pašieveļkošo iekārtu (A).

Kad brīvais štopes gals nav savienots ar enkurojuma savienojuma punktu, tam jābūt pareizi novietotam uz iejūga (B) vai fiksētam lietotāja rokā kā 100% Tie-Off lietošanas gadījumos (Tie-Off) (C). Brīvi nefiksēti štopes gali (D) var izraisīt lietotāja pakļupšanu vai aizķerties aiz apkārt esošiem objektiem un izraisīt kritienu.

1 Lietotājs: persona, kura veic darbības augstumā un ir aizsargāta, izmantojot individuālo pretkritiena sistēmu.

2 Pilnvarota persona: persona, kurai darba devējs uzdevis veikt pienākumus vietā, kur šī persona pakļauta kritiena riskam.

3 Glābējs: persona vai personas, kuras nav glābjamās personas un kuras darbojas, lai veiktu asistētu glābšanu, izmantojot glābšanas sistēmu.

4 Kompetenta persona: kāds, kurš spēj identificēt esošos un paredzamos riskus apkārtne vai darba apstākļos, kas ir antisaniāri, kaitīgi vai bīstami darbiniekiem, un kurš ir pilnvarots nekavējoties veikt korigējošus pasākumus attiecīgo risku novēršanai.

5 Pārbaudes biežums: ekstrēmos darba apstākļos (kaitīga vide, ilgstošs lietojums u.c.) var būt nepieciešamas biežākas kompetentu personu veiktas pārbaudes.

3.0 IEJŪGA LIETOŠANA

3.1 PIRMS KATRAS LIETOŠANAS pārbaudiet šo ekipējumu atbilstoši sadaļai "Pārbaudu un apkopes žurnāls" (1. tabula).

3.2 IZPLĀNOJIET savu sistēmu pirms lietošanas. Ņemiet vērā visus faktoros, kas ietekmēs jūsu drošību šī ekipējuma lietošanas laikā. Tālāk redzamajā sarakstā sniegti svarīgi sistēmas plānošanas laikā vērā ņemami apsvērumi.

- **Enkurojums** Atlasiet enkurojumu, kas atbilst paredzētā pretkrišanas aprīkojuma statiskās slodzes prasībām (skatīt 1.1. sadaļu). Enkurojuma atrašanās vietai jāatbilst brīvā kritiena, kritiena klīrensa, svārsta efekta izvairīta kritiena un apkārtējās vides ierobežojumiem, kas aprakstīti 1.4. sadaļā.
- **Asas malas** Nestrādājiet vietās, kur sistēmas elementi var nonākt saskarē ar vai berzēties pret neaizsargātām asām malām.
- **Pēc kritiena** Kritiena bloķēšanas spēkiem pakļauto elementu lietošana ir jāizbeidz, un tie ir jāiznīcina.
- **Glābšana** Darba devējam ir jāievieš glābšanas plāns, kas jāievēro šī ekipējuma lietošanas laikā. Darba devējam jānodrošina ātra un droša glābšana.
- **Glābšanas ierīcība.** Glābšanas ierīcības (EN 1497) paredzēts lietot parasto darba aktivitāšu veikšanas laikā. Pirms glābšanas savienojumu elementu pirmās lietošanas reizes lietotājam drošos apstākļos jāveic iekāršanas tests, lai pārliedzinātos, ka ierīcība izmērs un pielāgojums nodrošina optimālu komfortu iekāršanas laikā.
- **Darbo vietas nustatymas:** Dirbdami su darbo padēties nustatymo sistema, visuomet apsvārstykite, ar nereikētu naudoti atsarginės asmeninės apsaugos nuo kritimo iš aukščio sistemas (pvz., apsaugos nuo nukritimo sistemas). Vienmēr izmantojiet stiprinājuma punktu, kas novietots vidukļa līmenī vai virs tā.

3.3 SPRĀDZES Ķermeņa pilnēkipējums ir aprīkots ar dažādām sprādzēm, ar ko piestiprina un pielāgo kāju saites un krūšu saites. Pilna ķermeņa ierīcība jostai ir mēles sprādze. 1. attēlā redzami ierīcībā izmantotie sprādzu veidi. 9. attēlā parādīta katra sprādzu veida lietošana.

1. Ātrā savienojuma sprādzes:

- A. Lai piestiprinātu ātrā savienojuma sprādzi, ielieciet cilpu uztvērējā, kamēr dzirdams klikšķis.
- B. Lai pielāgotu pievienotu auduma saiti: pavelciet auduma saiti uz priekšu vai atpakaļ cauri sprādzei, lai saiti pievilktu ciešāk vai palaistu vaļīgāk.
- C. Lai ātrā savienojuma sprādzi atsprādzētu: saspiediet uztvērēja abās malās esošās slēdža sviras. Izvelciet cilpu no uztvērēja.

2. Caurveramās sprādzes:

- A. Izveriet vīrišķo sprādzi cauri sievišķai sprādzei.
- B. Nostipriniet brīvo saiti tā, lai vīrišķā sprādze piespiežas sievišķai sprādzei. Brīvo saites galu nostipriniet saites drošinātājā.

3.4 PIELĀGOŠANA Ierīcība ir aprīkota ar diviem torsa regulētājiem, lai pielāgotu plecu saites. 10. attēlā redzama torsa regulētāju lietošana.

1. Izpletņa sistēmas torsa regulētāji Lai pielāgotu plecu saites, izmantojot izpletņa sistēmas torsa regulētājus:

- A. Pavelciet brīvo saites galu, lai nostiprinātu plecu saiti. Lai plecu saiti atlaistu vaļīgāk, pavelciet brīvo saites galu un tad izvelciet to cauri izpletņa sistēmas regulētājam.
- B. Kad saites ir pareizi pielāgotas, nostipriniet brīvo saites galu saites drošinātājā.

Ja ir velcro tīkla gala vadība (sk. 11. attēlu), velmējiet brīvā tīkla siksnu līdz cieši (A), salieciet velcro svītras atpakaļ pāri siksnai un nostipriniet joslas (B). Pārliedzinieties, ka rullītis ir cieši pievilktas un siksnas turētājs ir pārvietots tuvu rullim (C).

3.5 ĶERMEŅA PILNĒKIPĒJUMA UZVILKŠANA UN PIELĀGOŠANA 13. attēlā parādīta ķermeņa pilnēkipējuma uzvilkšana un pielāgošana. Pirms katras lietošanas pārbaudiet ierīcību atbilstoši sadaļai "Pārbaudu un apkopes žurnāls (1. tabula)" sniegtajai kontrollapai. Lai uzvilktu un pielāgotu ierīcību:

Katram ierīcība modelim ir atšķirīgas saišu piesprādzēšanas un pielāgošanas procedūras. Sīkāku informāciju skatiet 3.3. un 3.4. sadaļā un 9. un 10. attēlā.

1. Paceliet ierīcību un turiet to aiz muguras daļā esošā dorsālā D-gredzena. Pārliedzinieties, ka saites nav savērpušās.
2. Satveriet plecu saites un uzslidiniet ierīcību uz vienas rokas. Dorsālais D-gredzens atradīsies jums uz muguras. Pārliedzinieties, ka saites nav samudžinājušās un brīvi karājas. Ieslidiniet savu brīvo roku ierīcībā un novietojiet plecu saites sev uz pleciem. Ja ierīcība uzvilktas pareizi, krūšu saite un krūšu sprādze atradīsies ķermeņa priekšpusē.
3. Pastiepiet roku un satveriet kājas saiti labajā pusē. Izvelciet šo saiti starp kājām; piesprādzējiet vīrišķajā sprādzē sev uz labā gurna un pielāgojiet kāju saiti, lai jums būtu ērti (sprādzes lietošanu skatīt 3.3. sadaļā). Kad pielāgošana pabeigta, kājas saites brīvo galu pabāziet zem saites drošinātāja. Atkārtojiet tādas pašas darbības, lai piesprādzētu un pielāgotu kreisās kājas saiti.
4. Pielāgojiet un aizsprādzējiet jostas mēles sprādzi, ja tāda ir. (Mēles sprādzes lietošanu skatīt 3.3. sadaļā.)
5. Aizsprādzējiet un pielāgojiet krūšu saiti (sprādzes lietošanu skatīt 3.3. sadaļā). Krūšu saitei jāatrodas 15 cm (6 in) zem jūsu plecu līnijas. Kad pielāgošana pabeigta, krūšu saites brīvo galu pabāziet zem saites drošinātāja.
6. Pielāgojiet savām ērtībām plecu saites, izmantojot torsa regulētājus (torsa regulētāju lietošanu skatīt 3.4. sadaļā). Kreisā un labā sāna plecu saitēm jābūt pielāgotām vienādā garumā, un krūšu saitei jāatrodas krūškurvja apakšlīnijas centrā, 15 cm (6 in) zemāk par plecu līniju. Uz muguras esošajam dorsālajam D-gredzenam jāatrodas pa vidu starp plecu līpstiņām. Frontālajam krūšu daļas D-gredzenam, ja tāds ir, jāatrodas ne tālāk kā 5 cm (2 in) sāņus no ierīcība vertikālās centra līnijas.

Lietošanas laikā regulāri pārbaudiet stiprinājuma un regulēšanas elementus

- 3.6 KRITIENA BLOKĒŠANAS D-GREDZENA VAI SAVIENOJUMA ELEMENTA LIETOŠANA** Stiprinājuma punkti krituma aizturēšanai ir atzīmēti ar lielo burtu "A". Kritiena bloķēšanas aprikojumu pievienojiet jums uz muguras esošajam dorsālajam D-gredzenam vai savienojuma elementam - starp lāpstiņām, vai Frontālais krūšu daļas D-gredzens stiprinājuma elements uz krūtīm. Sānos esošie D-gredzeni, ja tādi ir paredzēti tikai darba pozīcijas līdzekļu vai ierobežotājsistēmu lietošanai. Plecu daļā esošie savienojumi paredzēti tikai glābšanas vai izvilkšanas līdzekļiem. Frontālais krūšu daļas D-gredzens domāts stiprinājumiem, ko izmanto kāpšanai pa trepēm, vai darba pozīcijas stiprinājumiem. Iekaramā sēdekļa D-gredzeni domāti tikai iekāršanas vai darba pozīcijas stiprinājumiem. (Skatīt 1.1. sadaļu.)
- 3.7 SAVIENOJUMU VEIDOŠANA** Izmantojot āķi, lai veidotu savienojumu ar enkurojumu vai savienotu sistēmas elementus savā starpā, pārliecinieties, ka savienotie elementi nevar no āķa izvēlēties. Izvelšanās notiek, kad āķa un attiecīgā savienojuma sadure izraisa āķa slēdzēj mehānisma neparedzētu atvēršanos un atvienošanos. Lai samazinātu izvelšanās risku, jālieto pašnoslēdzoši fiksējošie āķi un karabīnes. Neizmantojiet āķus vai savienojumus, ko pēc piestiprināmā priekšmeta pievienošanas nevar pilnībā aiztaisīt. Sīkāku informāciju par savienojumu veidošanu skatīt apakšsistēmas ražotāja instrukcijā.
- 3.8 SAVIENOŠANAS SISTĒMAS ELEMENTI** Pēc iejūga pielāgošanas lietotājs var pievienot citus sistēmas elementus. Ievērojiet 2. sadaļā sniegtos norādījumus un ražotāja instrukciju, kas pievienota attiecīgajam elementam.

4.0 PĀRBAUDE

- 4.1 PĀRBAUDES BIEŽUMS** Ķermeņa pilnkipējums jāpārbauda atbilstoši 2.2. sadaļā norādītajam grafikam. Pārbaudes procedūras aprakstītas sadaļā "Pārbaudes un apkopes žurnāls" (1. tabula).
- 4.2 DEFEKTI** Ja pārbaudē tiek konstatēts defektīvs stāvoklis, nekavējoties izņemiet šo iejūgu no ekspluatācijas un iznīciniet to.
- 4.3 IZSTRĀDĀJUMA LIETOŠANAS ILGUMS** Iejūga lietošanas ilgums atkarīgs no darba apstākļiem un apkopes. Maksimālais lietošanas ilgums var svārstīties no 1 gada, kas piemērojams intensīvai lietošanai ekstrēmos apstākļos, līdz 10 gadiem labvēlīgākos apstākļos. Kamēr izstrādājums atbilst pārbaudes kritērijiem, tā ekspluatāciju var turpināt līdz 10 gadiem.

5.0 APKOPE, APKALPOŠANA, GLABĀŠANA

Tīriet un dezinficējiet izstrādājumu tikai ar tām metodēm, kas norādītas tālāk redzamajā tīrīšanas instrukcijā. Citas metodes var atstāt nevēlamas sekas uz produktu vai tā lietotāju.

- 5.1. TĪRĪŠANA.** Pilnās 3M uzkabes jātīra saskaņā ar 3M sniegtajiem norādījumiem. Lai iztīrītu uzkabes, mazgājiet tās ar neitrālu, balinātāju nesaturošu mazgāšanas līdzekli un pēc tam izskalojiet. Pēc tam uzkabe jāizžauj labi ventilētā vietā. Ūdens temperatūra veļasmašīnā un gaisa temperatūra žāvētājā nekad nedrīkst pārsniegt 130°F (54.4°C). Lai uzzinātu vairāk, lūdzu, skatiet tehnisko biļetenu mūsu tīmekļa vietnē: <http://www.3M.com/FallProtection/WebCleaning>

Ja rodas jautājumi par tīrīšanu, lūdzu, sazinieties ar 3M tehnisko dienestu.

- 5.2 SERVISS.** Ķermeņa pilnkipējums nav labojams. Ja iejūgs bijis pakļauts kritiena spēkam vai pārbaude atklāj nedrošu vai defektīvu stāvokli, izņemiet iejūgu no lietošanas un nekavējoties iznīciniet.
- 5.3 GLABĀŠANA UN TRANSPORTĒŠANA GLABĀJIET UN TRANSPORTĒJIET** Ķermeņa pilnkipējumu vēsā, sausā un tīrā vidē, nepieļaujot atrašanos tiešā saules gaismā. Neglabājiet vietās, kur iespējama ķīmisku izgarojumu klātbūtne. Pēc ilgstošas uzglabāšanas rūpīgi pārbaudiet iejūgu.

6.0 MARĶĒJUMS

14. attēlā redzams izstrādājuma marķējums un tā novietojums uz ķermeņa pilnkipējuma. Viss marķējums ir jāsaģlabā, un tam jābūt salasāmam.

Katrā marķējumā ir šāda informācija:

1	(A) Inkaro taškas, skirtas sulaikyti rudenį, pažymėtas didžiosiomis raidėmis "A" (B) Etiketės vieta
2	(A) Pārbaudes žurnāls (B) Sērijas numurs (C) Iniciālis (D) Datums (E) Nenoņemiet šo uzlīmi.
3	(A) Lietotāja informācijas uzlīme
4	(A) Sērijas numurs (B) Izgatavošanas mēnesis (C) Izgatavošanas gads (D) Sērijas numurs (E) Modelio numeris (F) Eiropas standarts (G) Kapacitāte (H) Izmērs (I) Skatīt instrukciju (J) CE ženkla (K) Atbilstības pārbaudi veikušās pilnvarotās iestādes numurs (L) Jostas izmērs

INFORMAZZJONI DWAR IS-SIGURTÀ

Jekk jogħġbok aqra, ifhem, u segwi l-informazzjoni dwar is-sigurtà kollha li tinstab f'dawn l-istruzzjonijiet qabel l-użu ta' dan l-Irbit tas-Sikurezza għall-Ġisem Kollu. **JEKK TONQOS LI TAGHMEL HEKK, DAN POSSIBBILMENT JISTA' JIRRIŻULTA F'KORRIMENT SERJU JEW MEWT.**

Dawn l-istruzzjonijiet jeħtieġ li jingħataw lill-utent ta' dan it-tagħmir. **Żomm dawn l-istruzzjonijiet biex tkun tista' tirreferi għalihom fil-futur.**

Użu Intenzjonat:

Dan l-Irbit tas-Sikurezza għall-Ġisem Kollu huwa intenzjonat li jintuża bħala parti minn sistema ta' protezzjoni kontra waqgħa personali kompluta.

L-użu fi kwalunkwe applikazzjoni oħra inklużi, iżda mhux limitati għal, immanigġjar ta' materjal, attivitajiet rikreazzjonali jew relatati mal-isport, jew attivitajiet oħra mhux deskritti fl-Istruzzjonijiet għall-Utent, mhuwiex approvat minn 3M u jista' jirriżulta f'korrimment serju jew mewt.

Dan it-tagħmir għandu jintuża biss minn utenti mharrġa f'applikazzjonijiet fuq il-post tax-xogħol.



TWISSIJA

Dan l-Irbit tas-Sikurezza għall-Ġisem Kollu huwa parti minn sistema ta' protezzjoni kontra waqgħa personali. Huwa mistenni li l-utenti kollha jkunu mharrġa b'mod shih fl-installazzjoni u l-operazzjoni siguri tas-sistemi ta' protezzjoni kontra waqgħa personali tagħhom. **L-użu hażin ta' dan it-tagħmir jista' jirriżulta f'korrimment serju jew mewt.** Għal għażla, operazzjoni, installazzjoni, manutenzjoni, u servizz kif suppost, irreferi għal dawn l-Istruzzjonijiet għall-Utent u għar-rakkomandazzjonijiet kollha tal-manifattur, kellew lis-supervizur tiegħek, jew ikkuntattja lis-Servizz Tekniku ta' 3M.

- **Biex tnaqqas ir-riskji assoċjati max-xogħol b'Irbit tas-Sikurezza għall-Ġisem Kollu li, jekk ma jiġux evitati, jistgħu jwasslu għal korrimment serju jew mewt:**
 - Spezzjona t-tagħmir qabel kull użu, mill-inqas darba fis-sena, u wara kwalunkwe avveniment ta' waqgħa. Spezzjonah skont l-Istruzzjonijiet għall-Utent.
 - Jekk l-ispezzjoni tikxef kundizzjoni mhux sigura jew difettuża, neħhi t-tagħmir mis-servizz u eqirdu.
 - Kwalunkwe tagħmir li kien suġġett għal waqfien ta' waqgħa jew forza ta' impatt għandu jitneħħa mis-servizz immedjatament u jinqered.
 - Żgura li l-irbit għas-sikurezza jintlibes b'mod korrett, huwa ta' daqs xieraq, u huwa aġġustat kif suppost.
 - Żgura li s-subsistemi konnettivi kollha (eż. lanyards) jinżammu ħielsa minn kull periklu inkluż, iżda mhux limitat għal, tħabbil ma' haddiema oħra, miegħek stess, ma' makkinarju li jiċċaqlaq, jew ma' kwalunkwe oġġett ieħor fil-madwar.
 - Żgura li s-sistemi/subsistemi ta' protezzjoni kontra waqgħa assemblati minn komponenti magħmula minn manifatturi differenti huma kumpatibbli u jissodisfaw ir-rekwiżiti tal-istandards applikabbli, inkluż ANSI Z359 jew kodiċi, standards, jew rekwiżiti tal-protezzjoni kontra waqgħa oħrajn applikabbli. Dejjem ikkonsulta Persuna Kompetenti jew Ikkwalifikata qabel tuża dawn is-sistemi.
- **Biex tnaqqas ir-riskji assoċjati max-xogħol fl-għoli li, jekk ma jiġux evitati, jistgħu jwasslu għal korrimment serju jew mewt:**
 - Żgura li saħħtek u l-kundizzjoni fiżika tiegħek jippermettulek tissapporti b'mod sigur il-forzi kollha assoċjati max-xogħol fl-għoli. Ikkonsulta lit-tabib tiegħek jekk għandek xi mistoqsijiet rigward il-kapaċità tiegħek li tuża dan it-tagħmir.
 - Qatt taqbez il-kapaċità permessa tat-tagħmir ta' protezzjoni kontra waqgħa tiegħek.
 - Qatt taqbez id-distanza ta' waqgħa mingħajr l-ebda trażzin (free fall) massima tat-tagħmir ta' protezzjoni kontra waqgħa tiegħek.
 - Tuża l-ebda tagħmir ta' protezzjoni kontra waqgħa li jfalli l-ispezzjoni ta' qabel l-użu jew spezzjonijiet skedati oħra, jew jekk għandek tħassib dwar l-użu jew l-adegwatezza tat-tagħmir għall-applikazzjoni tiegħek. Ikkuntattja lis-Servizz Tekniċi ta' 3M bi kwalunkwe mistoqsijiet li għandek.
 - Xi kombinazzjonijiet ta' subsistemi u komponenti jistgħu jinterferixxu mal-operazzjoni ta' dan it-tagħmir. Uża konnessjonijiet kumpatibbli biss. Ikkonsulta lil 3M qabel tuża dan it-tagħmir flimkien ma' komponenti jew subsistemi oħrajn li mhuwiex deskritti fl-Istruzzjonijiet għall-Utent.
 - Huw prekawzjonijiet żejda meta taħdem madwar makkinarju li jiċċaqlaq (eż. il-magna rotatorja ta' rigġijiet taż-żejt), perikli elettrici, temperaturi estremi, perikli kimiċi, gassijiet splussivi jew tossiċi, truf jaqtgħu jew bil-ponta, jew taħt materjali fuq rasek li jistgħu jaqgħu fuqek jew fuq it-tagħmir ta' protezzjoni kontra waqgħa tiegħek.
 - Uża apparati ta' Arc Flash jew Hot Works meta taħdem f'ambjenti b'ħafna shana.
 - Evita uċuħ u oġġetti li jistgħu jagħmlu ħsara lill-utent jew lit-tagħmir.
 - Żgura li hemm distanza adegwata tal-waqgħa biex jaħdem it-tagħmir meta tkun qed taħdem fl-għoli.
 - Qatt timmodifika jew tagħmel tibdiliet fit-tagħmir ta' protezzjoni kontra waqgħa tiegħek. 3M jew partijiet awtorizzati bil-miktub minn 3M biss jistgħu jagħmlu xogħol ta' tiswija fuq dan l-apparat.
 - Qabel l-użu tat-tagħmir ta' protezzjoni kontra waqgħa, żgura li hemm fis-seħħ pjan ta' salvataġġ jekk iseħħ avveniment ta' waqgħa.
 - Jekk iseħħ avveniment ta' waqgħa, ikseb attenzjoni medika immedjatament għall-haddiem li waqa'.
 - Tużax ċineġ tal-irbit għall-ġisem għal applikazzjonijiet ta' waqfien ta' waqgħa. Uża biss Irbit tas-Sikurezza għall-Ġisem Kollu.
 - Imminimizza l-waqgħat bi tbandil billi taħdem kemm jista' jkun direttament taħt il-punt ta' ankraġġ.
 - Jekk qed tagħmel tħarrig b'dan l-apparat, għandha tintuża sistema ta' protezzjoni kontra waqgħa sekondarja b'mod li ma jesponix lil min qed jitharreg għal periklu ta' waqgħa mhux intenzjonata.
 - Dejjem ilbes tagħmir protettiv personali xieraq meta tinstalla, tuża, jew tispezzjona t-tagħmir/is-sistema.

Qabel ma tuża dan it-tagħmir, hu nota tal-informazzjoni tal-identifikazzjoni tal-prodott mit-tiketta tal-ID fir-"Reġistru tal-Ispazzjoni u Manutenzjoni" fuq in-naħa ta' wara ta' dan il-manwal.

Dejjem kun żgur li qed tuża l-aħħar reviżjoni tal-manwal tal-istruzzjonijiet ta' 3M tiegħek. Żur il-websajt ta' 3M jew ikkuntattja lis-Servizzi Tekniċi ta' 3M għal manwali tal-istruzzjonijiet aġġornati.

DESKRIZZJONI

Figura 1 telenka l-mudelli kollha tal-irbit tas-sikurezza għall-ġisem kollu ta' 3M™ Protecta® li huma disponibbli. Mudelli tal-irbit tas-sikurezza huma disponibbli b'kombinazzjonijiet varji tal-karatteristiċi li ġejjin:

	Referenza ta' Figura 1:	Deskrizzjoni:
Daqsijiet	S, M/L, XL	Small (Żgħir), Medium/Large (Medju/Kbir), Extra Large (Kbir Ħafna)
	Ⓑ	Daqs taċ-Ċinturin f'ċm
Elementi tal-Irbit	①	D-Ring Dorsali
	②	D-Ring Sternali
	③	D-Rings għall-Ġenbejn
	④	Irbit għall-Ispalla
Bokkli	⑤	Bokkli ta' Konnessjoni Rapida
	⑥	Bokkli li Jgħaddu Minn Ġewwa
Aġġustaturi	⑦	Aġġustaturi tal-Paraxut tat-Torso
Pads	⑧	Ċinturin u Pad tal-Ġenbejn
	⑨	Pad tar-Riġel
Karatteristiċi Addizzjonali	⑩	Break-Away Auto-Reset Lanyard Keepers
	⑪	Ġestjoni tat-Tarf taċ-Ċinturin tas-Sikurezza (Ara Figura 11)
	⑫	Ċinga tas-Salvataġġ
	⑬	Gear Loop

SPEĊIFIKAZZJONIJIET

Prestazzjoni:	
Forza Massima tat-Twaqqif:	6 kN (1,349 libbra)
Kapaċità:	140 kg (310 libbra)
Temperatura tal-Operat:	Minimu: -35 °C (-31 °F) Massimu: +57 °C (135 °F)

Materjali:	
Ċinturin tas-sikurezza	Poliester - 22 kN (4,946 libbra) Reżistenza għat-Tensjoni
Covers tal-Pad	Taħlita ta' Najlon u Poliester
Cover tat-Tikketta	Taħlita ta' Najlon u Poliester
Ħajt	Ħajt tal-Poliester fuq Ċinturin tas-Sikurezza tal-Poliester
D-Rings	Azzar Illigat - 22 kN (4,946 libbra) Reżistenza għat-Tensjoni
Bokkli ta' Konnessjoni Rapida	Azzar, Azzar Inossidabbli, u Azzar Illigat - 18 kN (4,047 libbra) Reżistenza għat-Tensjoni
Bokkli li Jgħaddu minn Ġewwa	Azzar Illigat - 18 kN (4,946 libbra) Reżistenza għat-Tensjoni
Aġġustaturi tal-Paraxut tat-Torso	Azzar Illigat - 18 kN (4,047 libbra) Reżistenza għat-Tensjoni

1.0 APPLIKAZZONIJIET

- 1.1 SKOP:** L-Irbit tas-Sikurezza li Jkopri l-Gisem Kollu għandhom jintużaw bħala komponenti f'Sistema ta' Protezzjoni Personali minn Waqgħa mill-Għoli ddisinjata biex tipprevjeni waqgħa mill-għoli jew twaqqaf waqgħa mill-għoli b'sigurtà (ara Figura 2). L-Irbit tas-Sikurezza li Jkopri l-Gisem Kollu huma wżati fl-applikazzjonijiet li ġejjin:

A	Twaqqif ta' Waqgħa mill-Għoli (EN360, EN361, EN355): Sistemi ta' protezzjoni personali minn waqgħa mill-għoli tipikament jinkludu Irbit tas-Sikurezza li Jkopri l-Gisem Kollu u subsistema li tikkonnettja miegħu (Lanyard li Jassorbi l-Energija, Apparatt li Jingibed Lura Fuqu Nnifsu, eċċ.). Il-forza massima tat-twaqqif ma tridx teċċedi 6 kN (1 349 lbf). Ankraġġ Qawwa: L-ankraġġ magħżul għandhom jiflaħ għal tagħbijiet ta' 12 kN (2 698 lbf) jew aktar.
B	Ippożizzjonar waqt ix-Xogħol (EN358, EN813): Sistemi ta' ppożizzjonar waqt ix-xogħol tipikament jinkludu Irbit tas-Sikurezza li Jkopri l-Gisem Kollu, lanyard tal-ippożizzjonar, u sistema ta' back-up ta' twaqqif ta' waqgħa ta' persuna mill-għoli Għal applikazzjonijiet ta' ppożizzjonar fuq il-post tax-xogħol, ikkonnettja s-subsistema ta' ppożizzjonar fuq il-post tax-xogħol (eżempju: lanyard, Y-lanyard, eċċ) man-naħa ta' isfel (livell tal-ġenbejn) jew elementi tal-irbit tal-ankraġġ tal-ippożizzjonar fuq il-post tax-xogħol immuntati fuq ċinturin (D-Rings). Qatt m'għandek tuża dawn il-punti ta' konnessjoni għal twaqqif ta' waqgħa mill-għoli. <i>Elementi tal-Irbit:</i> Ta' Quddiem, Ġenbejn. <i>Qawwa tal-Ankraġġ:</i> L-ankraġġ magħżul irid ikun jiflaħ għal tagħbijiet ta' 12 kN (2 698 lbf) jew aktar.
C	Tixbit (EN353-1): L-Irbit tas-Sikurezza li Jkopri l-Gisem Kollu huwa wżat bħala komponent ta' sistema ta' tixbit biex tipprevjeni lill-utent milli jaq' meta jkun qed jixxabbat ma' sellum jew struttura oħra ta' tixbit. Sistemi ta' tixbit tipikament jinkludu Irbit tas-Sikurezza li Jkopri l-Gisem Kollu, kejbil vertikali jew rail marbut mal-istruttura, u climbing sleeve. Għal applikazzjonijiet ta' tixbit ma' slielem, irbit tas-sikurezza mgħammra b'D-Ring frontali fil-lokazzjoni tal-isternu jistgħu jintużaw biex iwaqqfu waqgħat mill-għoli fuq sistemi ta' tixbit fuq slielem marbuta. <i>Elementi tal-Irbit:</i> Sternalni. <i>Qawwa tal-Ankraġġ:</i> L-Istruttura li magħha hi marbuta s-sistema ta' tixbit trid tkun tiffaħ għal tagħbijiet rikjesti mid-dokumentazzjoni tal-manifattur tas-sistema tat-tixbit.
D	Salvataġġ (EN1496, EN1497, EN1498): L-Irbit tas-Sikurezza li Jkopri l-Gisem Kollu huwa wżat bħala komponent ta' sistema ta' salvataġġ. Sistemi ta' salvataġġ jiġu kkonfigurati skont it-tip ta' salvataġġ. Għal applikazzjonijiet fil-każ ta' access limitat (spazju żgħir), jistgħu jiġu wżati irbit tas-sikurezza mgħammra b'D-Rings fuq l-ispalajn biex wiehed jidhul u johroġ fi spazji żgħar fejn il-profil tal-haddiem huwa kwistjoni importanti. <i>Elementi tal-Irbit:</i> Dorsali, Sternalni, fuq Quddiem, tal-Ispalla. <i>Qawwa tal-Ankraġġ:</i> L-ankraġġ magħżul irid ikun jiflaħ għal tagħbijiet ta' 12 kN (2 698 lbf) jew aktar.
E	Inżul Ikkontrollat (EN341): Għal applikazzjonijiet ta' nżul ikkontrollat, irbit tas-sikurezza mgħammra b'D-Ring wiehed ta' livell sternalni, D-Ring wiehed jew tnejn immuntati b'mod frontali, jew par konnetturi li ġejjin minn taht il-qadd (bħalma hu seat sling) jistgħu jintużaw fil-konnessjoni ma' sistema ta' nżul jew evakwazzjoni. <i>Elementi tal-Irbit:</i> Dorsali, Sternalni, fuq Quddiem. <i>Qawwa tal-Ankraġġ:</i> L-ankraġġi magħżula iridu jkun jifilhu għal tagħbijiet ta' 12 kN (2 698 lbf) jew aktar.
F	Trażżin (EN354): L-Irbit tas-Sikurezza li Jkopri l-Gisem Kollu huwa wżat bħala komponent ta' sistema ta' trażżin biex tipprevjeni lill-utent milli jilhaq periklu ta' waqgħa mill-għoli. Sistemi ta' trażżin tipikament jinkludu Irbit tas-Sikurezza li Jkopri l-Gisem Kollu u lanyard jew linja ta' trażżin. <i>Elementi tal-Irbit:</i> Dorsali, Sternalni, fuq Quddiem, tal-Ġenbejn. <i>Qawwa tal-Ankraġġ:</i> L-ankraġġ magħżul irid ikun jiflaħ għal tagħbijiet ta' mill-anqas 18 kN (4 047 lbf) meta jiġu wżati lanyards li jinkludu xi materjal tessili jew elementi tessili tal-lanyard, eż. ħbula bi ħjut sintetiċi jew ċinturin tas-sikurezza. Meta jiġu wżati lanyards magħmulin interament minn elementi metalliċi, l-ankraġġ irid ikun jiflaħ għal tagħbijiet ta' mill-anqas 12 kN (2 698 lbf).

- 1.2 STANDARDS:** L-irbit tas-sikurezza inkluzi f'dan il-manwal jikkonformaw mal-istandard/s identifikat/i fuq il-qoxra ta' quddiem ta' dawn l-istruzzjonijiet. Jekk dan il-prodott jerga' jinbiegħ barra mill-pajjiż ta' destinazzjoni originali, il-bejjiegh li qed jerga' jbiegħu għandu jipprovi dawn l-istruzzjonijiet fil-lingwa tal-pajjiż fejn se jintuża l-prodott.

- 1.3 TAHRIG:** Hija r-responsabilità tal-utent u ta' min jixtri dan it-tagħmir li jiżguraw li huma familjari ma' dawn l-istruzzjonijiet, imħarrġa fil-harsien u l-użu korretti ta' dan it-tagħmir, u huma konxji tal-karatteristiċi operattivi, il-limitazzjonijiet tal-applikazzjoni, u l-konsegwenzi ta' użu mhux xieraq ta' dan it-tagħmir.

- 1.4 LIMITAZZJONIJIET:** Dejjem ikkunsidra l-limitazzjonijiet tal-applikazzjoni li ġejjin qabel tuża dan it-tagħmir:

- KAPAĊITÀ:** L-Irbit tas-Sikurezza li Jkopri l-Gisem Kollu huwa mahsub biex jintuża minn persuni b'piż konġunt (ħwejjeg, għodod, eċċ.) ta' mhux iktar minn 140 kg (309 libbra). Żgura li l-komponenti kollha fis-sistema tiegħek huma kklassifikati għal kapaċità xierqa għall-applikazzjoni tiegħek.
- WAQGĦA MINGĦAJR KONTROLL (FREE FALL):** Sistema ta' twaqqif ta' waqgħa mill-għoli għandha tinkludi elementi assorbenti jew funzjonijiet li jassiguraw li l-forzi tal-impatt fuq il-gisem tal-utent waqt twaqqif ta' waqgħa mill-għoli mingħajr trażżin ikunu ristretti għal massimu ta' 6 kN (1 349 lbf). Sistemi ta' trażżin għandhom jintramaw b'tali mod li ebda waqgħa diretta vertikali mingħajr kontroll ma tkun possibbli. Sistemi ta' ppożizzjonar ta' fuq il-post tax-xogħol għandhom jintramaw b'tali mod li waqgħa diretta mingħajr kontroll tkun limitata għal 60 cm (24 pulzier) jew anqas. Sistemi ta' rkib tal-impjegati (Personnel riding systems) għandhom jintramaw b'tali mod li ebda waqgħa diretta vertikali mingħajr kontroll ma tkun possibbli. Sistemi ta' salvataġġ għandhom jintramaw b'tali mod li ebda waqgħa diretta vertikali mingħajr kontroll ma tkun possibbli. Ara l-istruzzjonijiet tal-manifattur tas-subsistema għal aktar informazzjoni.
- FALL CLEARANCE (Spazju għall-waqgħa):** Figura 3 turi l-komponenti ta' Twaqqif ta' Waqgħa mill-Għoli. Għandu jkun hemm bizzżej Spazju għall-Waqgħa (Fall Clearance - FC) taht l-utent biex tkun tista' tiġi mwaqqfa waqgħa qabel ma l-utent jaħbat mal-art jew xi ostaklu ieħor. Il-Clearance hija affettwata min-numru ta' fatturi li jinkludu: (A) Tul tal-Lanyard, (B) Lanyard Deceleration Distance (Distanza ta' Decellerazzjoni tal-Lanyard) jew SRD Maximum Arrest Distance (Distanza Massima tat-Twaqqif tal-SRD), (C) Harness Stretch (Kemmg ġingibed l-Irbit tas-Sikurezza) u Tul u Ssettiljar tad-D-Ring/ Konnettur (tipikament Fattur ta' Sigurtà ta' 0,5 m (1,6 piedi)). Irreferi għall-istruzzjonijiet inkluz mal-Lanyard jew Apparatt li Jingibed Lura fuqu Nnifsu (Self-Retracting Device) għal speċifikazzjonijiet marbuta mal-kalkolu tal-Ispazju għall-Waqgħa.
- SWING FALLS (Waqgħat bi Tbandil):** Is-Swing Falls (waqgħat bi tbandil) isehħu meta l-punt tal-ankraġġ ma jkunx direttament fuq il-punt fejn issehħ il-waqgħa (ara Figura 4). Il-forza tad-daqqa ma' oġġett waqt swing fall (waqgħa bi tbandil) tista' tikkawża korrimet serju jew mewt. Imminimizza l-waqgħat bi tbandil billi taħdem kemm jista' jkun direttament taht il-punt ta' ankraġġ. Thallix li ssir swing fall (waqgħa bi tbandil) jekk hemm possibbiltà ta' korrimet. Swing falls (waqgħat bi tbandil) iżidu b'mod sinifikanti l-clearance meħtieġa meta jiġi wżat Apparatt li Jingibed Lura (Self-Retracting Device) jew subsistema oħra li tuża konnessjoni b'tul varjabbli.
- SOSPENSJONI ESTIŻA U TRAUMA TA' SOSPENSJONI:** L-Irbit tas-Sikurezza li Jkopri l-Gisem Kollu mhux intenzjonat għall-użu f'applikazzjonijiet ta' sospensjoni estiża. Sospensjoni estiża tista' tikkawża Trauma ta' Sospensjoni. Jekk l-utent ser ikun sospiż għal tul estiż ta' ħin huwa rakkomandat li tiġi wżata xi forma ta' appoġġ għas-seat. 3M tirakkomanda seat board, suspension work seat, seat sling, jew boatswain chair. Ikkuntattja lil 3M għal aktar informazzjoni dwar dawn l-oġġetti.
- PERIKLI AMBJENTALI:** L-użu ta' dan it-tagħmir f'żoni b'perikli ambjentali jista' jkun li jeżiġi prekawzjonijiet addizzjonali biex jiġu pprevenuti korrimet għall-utent jew hsara lit-tagħmir. Il-perikli jistgħu jinkludu, iżda mhumiex limitati għal; shana, kimiċi, ambjenti korrużivi, linji tal-elettriku b'voltaġġ għoli, gassijiet, makkinarju li jiċċaqlaq, u truf jaqtgħu jew bil-ponta.
- IRBIT TAS-SIKUREZZAGĦAL AMBJENTI B'TEMPERATURI GĦOLJA:** Irbit tas-sikurezza b'ċinturin tas-sikurezza tat-tip

Kevlar huma ddisinjati għall-użu f'ambjenti b'temperatura għolja, b'limitazzjonijiet: Iċ-ċinturin tas-sikurezza Kevlar jibda jinħaraq f'temperatura ta' 425 - 480 °C (800 - 900 °F). Iċ-ċinturin tas-sikurezza Kevlar jista' jiflaħ għal esponiment ta' kuntatt limitat għal temperaturi sa 535 °C (1 000 °F). Iċ-ċinturin tas-sikurezza tal-poliester jitlef is-saħħa f'temperatura ta' 145 - 200 °C (300 - 400 °F). Kisi tal-PVC fuq hardware jilħaq punt tad-tidwib f'temperatura ta' madwar 175 °C (350 °F).

Għalkemm hardware miksi bil-PVC u biż-żingu jesebixxu rezistenza eċċellenti kontra l-korrużjoni f'kundizzjonijiet atmosferiċi kimiċi, aċidużi, alkalini, jistgħu jkunu meħtieġa spezzjonijiet frekwenti. Ikkonsulta ma' 3M jekk inti tixtieq issaqsi dwar l-użu ta' dan it-tagħmir f'ambjenti perikolużi.

2.0 UŻU TAS-SISTEMA

2.1 PJAN TA' SALVATAĠĠ: Waqt l-użu ta' dan it-tagħmir u waqt li jkun qed jikkonnettja s-subsistema/i, min ihaddem għandu jkollu pjan ta' salvataġġ u l-mezzi lesti biex jimplimenta u jikkomunika dak il-pjan lill-utenti¹, persuni awtorizzati², u haddiema ta' salvataġġ³.

2.2 FREKWENZA TA' SPEZZJONI: L-Irbit tas-Sikurezza li Jkopri l-Ġisem Kollu għandu jiġi spezzjonat mill-utent kull darba qabel l-użu u minn persuna kompetenti⁴ minbarra l-utent f'intervalli ta' mhux aktar minn sena⁵. Il-proċeduri ta' spezzjoni huma deskritti fir-*"Registru ta' Spezzjoni u Manutenzjoni"* tal-*Manwal ta' Struzzjonijiet għall-Utent*. Ir-riżultati ta' kull spezzjoni minn Persuna Kompetenti għandhom jiġu rrekordjati fuq kopji tar-*"Registru ta' Spezzjoni u Manutenzjoni"* jew intraċċati bis-sistema ta' Identifikazzjoni tal-Frekwenza tar-Radju (ara *"Spezzjoni"*).

Meta jkun meħtieġ minn 3M, minħabba l-kumplessità jew l-innovazzjoni tat-tagħmir; jew fejn ikun meħtieġ għarfien kritiku biex it-tagħmir jiżżarma, jiġi assemblat mill-ġdid, jew jiġi evalwat, eżaminazzjonijiet perjodiċi għandhom jitwettqu biss minn 3M jew minn persuni jew organizzazzjonijiet awtorizzati minn 3M.

2.3 KUMPATTIBILITÀ TAL-KOMPONENTI: It-tagħmir ta' 3M huwa maħsub għall-użu ma' komponenti u subsistemi approvati ta' 3M biss. Sostituzzjonijiet jew tibdil li jsir b'komponenti jew subsistemi mhux approvati jistgħu jipperikolaw il-kompatibilità tat-tagħmir u jistgħu jaffettwaw is-sigurtà u l-affidabbiltà tas-sistema sħiħa.

2.4 KUMPATTIBILITÀ TAL-KONNETTURI: Il-konnetturi huma kompatibbli mal-elementi ta' konnessjoni meta jkunu ġew iddisinjati li jaħdmu flimkien b'tali mod li l-qisien u l-forom tagħhom ma jikkawżawx lill-mekkaniżmi tal-bibien (gate mechanisms) tagħhom li jinfetħu aċċidentalment, irrispettivament minn kif jorjentaw ruħhom. Ikkuntattja lil 3M jekk ikollok xi mistoqsijiet dwar il-kompatibilità. Il-konnetturi (gancijiet, carabiners, u D-Rings) għandhom ikunu kapaċi jifilhu għal tal-anqas 22 kN (4 lbf). Il-konnetturi jridu jkunu kompatibbli mal-komponenti tas-sistema ta' ankraġġ jew ma' dawk ta' sistemi oħra. Tużax tagħmir li mhuwiex kompatibbli. Il-konnetturi li mhuwiex kompatibbli jistgħu jinħallu b'mod mhux intenzjonat (Ara Figura 5). Il-konnetturi għandhom ikunu kompatibbli fil-qies, forma, u saħħa. Jekk l-element ta' konnessjoni li miegħu tkun marbuta snap hook (murija) jew carabiner ikun wisq żgħir jew ikollu forma irregolari, tista' tinholoq sitwazzjoni li fiha l-element ta' konnessjoni japplika forza fuq il-bieba tas-snap hook jew carabiner. Din il-forza tista' tikkawża li tinfetaħ il-bieba, u tippermetti li s-snap hook jew carabiner jinħallu mill-punt tal-konnessjoni. Huma meħtieġa snap hooks u carabiners li jingħalqu waħedhom (self-locking).

2.5 BIEX TAGHMEL KONNESSJONIJIET: Uża biss snap hooks u carabiners li jingħalqu waħedhom (self-locking) ma' dan it-tagħmir. Uża biss konnetturi li huma xierqa għal kull applikazzjoni. Żgura li l-konnessjonijiet kollha huma kompatibbli fil-qies, forma u saħħa. Tużax tagħmir li mhuwiex kompatibbli. Żgura li l-konnetturi kollha huma kompletament magħluqin u msakkrin.

Il-konnetturi ta' 3M (snap hooks u carabiners) huma ddisinjati biex jintużaw biss kif speċifikat fl-istruzzjonijiet tal-prodott għall-utent ta' kull wiehed minnhom. Ara Figura 6 għal eżempji ta' konnessjonijiet mhux xierqa. Snap hooks u carabiners ta' 3M m'għandhomx jitqabdu:

- A. Ma' D-ring li għandu konnettur iehor mqabbad miegħu.
- B. B'mod li jirriżulta f'tagħbija fuq il-bieba.
- C. F'rabta falza, fejn elementi li jisporġu mis-snap hook jew carabiner jaqdbu fuq l-ankra, u mingħajr konferma viżwali jidhru li jkunu mqabbdin tajjeb mal-punt tal-ankraġġ.
- D. Ma' xulxin.
- E. Direttament mal-webbing jew il-habel tal-lanyard jew it-tie-back (sakemm l-istruzzjonijiet tal-manifattur kemm għal-lanyard kif ukoll għall-konnettur ma jippermettux speċifikament tali konnessjoni).
- F. Ma' kwalunkwe oġġett li hu ffurmat jew għandu qisien b'mod li s-snap hook jew il-carabiner ma jingħalqux u ma jissakkrux, jew jekk jista' jsir roll-out.
- G. B'mod li ma jhallix lill-konnettur jallinja tajjeb meta jkun taħt tagħbija.

2.6 SUBSISTEMI KONNETTIVI: Subsistemi konnettivi (lifeline li jingibed lura waħdu, lanyard, maqbad tal-hbula u lifeline, sleeve tal-habel, eċċ.) għandhom ikunu xierqa għall-applikazzjoni tiegħek (Ara sezzjoni 1.1). Ara l-istruzzjonijiet tal-manifattur tas-subsistema għal aktar informazzjoni. Xi mudelli ta' rbit tas-sikurezza għandhom punti ta' konnessjoni b'holoq web. Tużax snap hooks biex tqabbad ma' holoq web. Uża carabiner li jingħalaq waħdu (self-locking) biex tqabbad ma' holqa tal-web. Żgura li l-carabiner ma jistax jgħabbi kontra l-bieba (minflok matul l-assi maġġuri tal-carabiner). Xi lanyards huma ddisinjati biex jaqdbu ma' holqa tal-web biex jipprovdu konnessjoni kompatibbli. Il-lanyards jistgħu jiġu meħjuta direttament fuq il-holqa tal-web u hekk jiffurmaw konnessjoni permanenti. Tagħmilx aktar minn konnessjoni waħda fuq kull holqa web, sakemm ma tqabbadx żewġ lanyards fuq holqa web ta' qies tajjeb. Biex trazzan lanyard fuq holqa tal-web (Figura 7):

A) Daħħal il-holqa tal-web tal-lanyard fil-holqa tal-web jew fid-D-Ring fuq il-arneż. B) Daħħal it-tarf it-tajjeb tal-lanyard minn gol-holqa web tal-lanyard. C) Iġbed il-lanyard minn gol-holqa taċ-ċinturin tas-sikurezza konnettiva biex tissikkaha.

2.7 LANYARD PARKING: Figura 8 turi l-Lanyard Parking. Il-Lanyard Parking Attachment qiegħed biex torbot it-tarf hieles ta' Lanyard jew Apparatt li Jerga' Lura fuqu Nnifsu li jkun immuntat fuq l-irbit tas-sikurezza meta ma jkunux konnessi ma' Punt ta' Konnessjoni tal-Ankraġġ għall-finijiet ta' protezzjoni minn waqgħa mill-ġholi. Lanyard Parking Attachments qatt ma għandhom jintużaw bħala Element tal-Irbit ta' Protezzjoni minn Waqgħa mill-Ġholi fuq l-irbit tas-sikurezza biex jiġi kkonnettjat Lanyard jew Apparatt li Jerga' Lura fuqu Nnifsu (A).

Meta ma tkunx ikkonnettjata ma' punt ta' Konnessjoni tal-Ankraġġ, Sieq tal-Lanyard (Lanyard Leg) li ma tkunx ikkonnettjata għandha tkun ipparkjata tajjeb fuq l-irbit tas-sikurezza (B) jew miżmuma tajjeb f'id l-utent bħal fil-każ ta' applikazzjonijiet 100% Tie-Off (C). Lanyard Legs (D) mdendla b'mod hieles jistgħu jwaqqgħu lill-utent jew jinħakmu ma' oġġetti fil-madwar u jikkawżaw waqgħa mill-ġholi.

1 Utent: Persuna li twettaq attivitajiet fl-ġholi filwaqt li tkun protetta minn sistema ta' protezzjoni kontra waqgħa personali.

2 Persuna Awtorizzata: Persuna assenjata minn min ihaddem biex twettaq dmirijiet f'post fejn il-persuna se tkun esposta għal periklu ta' waqgħa mill-ġholi.

3 Haddiem ta' salvataġġ: Persuna jew persuni minbarra l-individwu li jkun qed jiġi salvat li jaġixxu biex iwettqu salvataġġ assistit mill-operazzjoni ta' sistema tas-salvataġġ.

4 Persuna Kompetenti: Persuna li hi kapaċi tidentifika perikli eżistenti u prevedibbli fl-inħawi jew kundizzjonijiet tax-xogħol li mhuwiex sanitarji, u huma ta' sogru, jew ta' periklu għall-impjegati, u li għandha l-awtorizzazzjoni biex tiegħu miżuri korrettivi fil-pront biex teliminahom.

5 Frekwenza ta' Spezzjoni: Kundizzjonijiet tax-xogħol estremi (ambjenti harxa, użu fit-tul, eċċ.) jista' jkun li jeħtieġu żieda fil-frekwenza ta' spezzjonijiet minn persuna kompetenti.

3.0 UŻU TAL-IRBIT TAS-SIKUREZZA

3.1 **QABEL KULL UŻU** ta' dan it-tagħmir spezzjonah skont "Ir-Registru tal-Ispezzjoni u Manutenzjoni" (Tabella 1).

3.2 **IPPJANA** s-sistema tiegħek qabel l-użu. Ikkunsidra l-fatturi kollha li jistgħu jaffettwaw is-sigurtà tiegħek waqt l-użu ta' dan it-tagħmir. Il-lista li ġejja telenka punti importanti li għandhom jiġu kkunsidrati meta tkun qed tippjana s-sistema tiegħek:

- **Ankragġ:** Aghżel ankragġ li jkun kapaċi jiflaħ għar-rekwiżiti tat-Tagħbija Statika (Static Load) tal-applikazzjoni intiza għall-protezzjoni kontra waqgħa mill-gholi (ara Sezzjoni 1.1). Il-post fejn jinsab l-ankragġ irid jindirizza Waqgħa Mingħajr Kontroll (Free Fall), Id-Distanza Minima li toffri Biżżejjed Spazju għall-Waqgħa (Fall Clearance), Waqgħa bi Tbandil, u Limitazzjonijiet ambjentali deskritti f'Sezzjoni 1.4.
- **Truf bil-Ponta jew Jaqtgħu:** Evita li taħdem fejn il-komponenti tas-sistema jistgħu jiġu f'kuntatt ma', jew iħokku ma' truf bil-ponta jew jaqtgħu li ma jkunux mogħttija.
- **Wara Waqgħa mill-Gholi:** Komponenti li jkunu ġew soġġetti għall-forzi ta' twaqqif ta' waqgħa mill-gholi għandhom jitneħhew mis-servizz u jiġu meqruda.
- **Salvataġġ:** Min iħaddem għandu jkollu pjan ta' salvataġġ meta jkun qed juża dan it-tagħmir. Min iħaddem għandu jkollu l-abbiltà li jwettaq salvataġġ f'malajr u b'mod sigur.
- **Irbit tas-Sikurezza ta' Salvataġġ:** L-Irbit tas-Sikurezza tas-Salvataġġ (EN 1497) huma maħsuba għal biex jintlihsu waqt attivitajiet normali ta' xogħol. Qabel jintużaw elementi tal-irbit ta' salvataġġ għall-ewwel darba, l-utent għandu jwettaq test ta' sospensjoni f'kundizzjonijiet ta' sigurtà biex jiżgura li l-irbit tas-sikurezza jkun ta' daqs tajjeb u jiffittja sewwa ħall joffri kumdità ottimali waqt is-sospensjoni.
- **Pożizzjonar tax-Xogħol:** Dejjem ikkunsidra l-bżonn li tuża Sistema ta' Twaqqif ta' Waqgħa Personali (eż. Sistema ta' Twaqqif ta' Waqgħa) meta tkun qed tuża Sistema ta' Pożizzjonar tax-Xogħol. Dejjem uża punt ta' ankra mqiegħed fuq jew' il fuq mil-livell tal-qadd.

3.3 **BOKKLI:** L-Irbit tas-Sikurezza li Jkopru l-Ġisem Kollu huma mgħammra b'diversi Bokkli biex jintrabtu u jiġu aġġustati Ċineg għal mas-Saqajn u Ċineg għal mal-Qafas tas-Sider. Ara Figura 1 għat-tipi ta' bokkli fuq l-Irbit tas-Sikurezza tiegħek. Figura 9 turi l-operazzjoni ta' kull waħda mill-bokkli li ġejjin:

1. Bokkli ta' Konnessjoni Rapida:

- A. Biex taqfel il-Bokkla ta' Konnessjoni Rapida, daħħal it-Tab fir-Riċevitur sakemm tismagħha tikklikkja.
- B. Biex taġġusta ċ-Ċineg taċ-Ċinturin tas-Sikurezza li tkun imwaħħla: Iġbed iċ-Ċineg taċ-Ċinturin tas-Sikurezza 'l quddiem u lura minn ġol-Fetha tal-Bokkla biex tissikka jew terħi.
- C. Biex tiftaħ il-Bokkla ta' Konnessjoni Rapida: Aghfas il-Lievi tal-Lock fuq kull ġenb tar-Riċevitur. Iġbed it-Tab 'il barra minn ġor-Riċevitur.

2. Bokkli li Jgħaddu minn Ġewwa:

- A. Daħħal il-Bokkla Maskili fil-fetha tal-Bokkla Femminili.
- B. Issikka ċ-Ċineg merħija biex il-Bokkla Maskili tkun ċatta mal-Bokkla Femminili. Aqfel tajjeb iċ-Ċineg merħija fil-Keeper taċ-Ċineg.

3.4 **AĠĠUSTAMENTI:** L-irbit tas-sikurezza huma mgħammra b'par Aġġustaturi tat-Torso biex jiġu aġġustati ċ-Ċineg tal-Ispallejn. Figura 10 turi l-aġġustament tal-Aġġustaturi tat-Torso:

1. Aġġustaturi tal-Paraxut tat-Torso:

- A. Iġbed fuq iċ-Ċineg merħija biex tissikka ċ-Ċineg tal-Ispallejn. Biex terħi ċ-Ċineg tal-Ispallejn, iġbed fuq iċ-Ċineg l-merħija mbagħad għaddi ċ-Ċineg lura mill-Aġġustatur tal-Paraxut.
- B. Meta jkun aġġustat kif suppost, aqfel tajjeb iċ-Ċineg merħija fil-Keeper taċ-Ċineg.

Jekk l-immaniġġjar tat-tmiem tal-web tal-velkro (Ara l-Figura 11) huwa preżenti, dawwar lura ċ-Ċineg tal-web ħielsa sakemm tkun issikkata (A), waħħal ir-strixxi tal-velkro lura fuq iċ-Ċineg u żgura l-istrixxi (B). Kun żgur li r-romblu jkun issikkat u li l-portatur taċ-Ċineg jkun spostat vicin ir-romblu (C).

3.5 **BIEX TILBES U TIFITTJA L-IRBIT TAS-SIKUREZZA LI JKOPRI L-ĠISEM KOLLU:** Figura 13 turi kif isir l-ilbies u l-iffittjar tal-Irbit tas-Sikurezza li Jkopri l-Ġisem Kollu. Qabel kull użu, spezzjona l-irbit tas-sikurezza skont iċ-checklist fuq ir-"Registru tal-Ispezzjoni u Manutenzjoni (Tabella 1)". Biex tilbes u tiffittja l-irbit tas-sikurezza:

Proċeduri biex taqfel il-bokkli u taġġusta ċ-Ċineg fuq l-Irbit tas-Sikurezza tiegħek iwarjaw skont il-mudell tal-irbit tas-sikurezza. Ara Sezzjonijiet 3.3 sa 3.4 u Figuri 9 sa 10 għad-dettalji.

1. Għolli u zomm l-irbit tas-sikurezza mid-D-Ring Dorsali tan-naħa ta' wara. Kun żgur li ċ-Ċineg mhumiex mibruma.
2. Aqbad iċ-Ċineg tal-Ispallejn u itfa l-irbit tas-sikurezza fuq id waħda. Id-D-Ring Dorsali jkun ippożizzjonat fuq dahrek. Kun żgur li ċ-Ċineg mhumiex mħabbla f'xulxin u huma mdendlin mingħajr xkiel. Daħħal idek il-ħielsa ġol-irbit tas-sikurezza u ppożizzjona ċ-Ċineg tal-Ispallejn fuq spallejk. Iċ-Ċineg tal-Qafas tas-Sider u l-Bokkla tal-Qafas tas-Sider ikunu ppożizzjonati fuq quddiem meta jkun milbus tajjeb.
3. Iġbed iċ-Ċineg tas-Sieq tal-lemin min-naħa ta' wara tas-sieq. Tella' ċ-Ċineg minn bejn is-saqajn; aqfel il-bokkla mal-bokkla ta' pariġġ fuq ġenbek tal-lemin, u aġġusta ċ-Ċineg tas-Sieq biex tkun tiffittja b'mod komdu (ara Sezzjoni 3.3 għall-operazzjoni tal-bokkla). Meta tkun aġġustata sewwa, deffes it-tarf merħi taċ-Ċineg tas-Sieq taħt il-Keeper taċ-Ċineg. Irrepeti dan il-proċess biex taqfel il-bokkla u taġġusta ċ-Ċineg tas-Sieq tax-xellug.
4. Aġġusta u aqfel it-Tongue Buckle Waist Belt (Ċinturin tal-Qadd bil-Bokkla tal-Ilsien) jekk ikollok. (Ara Sezzjoni 3.3 għall-operazzjoni tat-Tongue Buckle).
5. Aqfel il-bokkla u aġġusta ċ-Ċineg tal-Qafas tas-Sider (ara Sezzjoni 3.3 għall-operazzjoni tal-bokkla). Iċ-Ċineg tal-Qafas tas-Sider għandha tkun 15 cm (6 pulzieri) 'l isfel mill-wiċċ ta' spallejk. Meta tkun aġġustata sewwa, deffes it-tarf merħi taċ-Ċineg tal-Qafas tas-Sider taħt il-Keeper taċ-Ċineg.
6. Aġġusta ċ-Ċineg tal-Ispallejn biex Jiffittjaw b'Kumdità bl-Aġġustaturi tat-Torso (ara Sezzjoni 3.4 għall-operazzjoni tal-Aġġustatur tat-Torso). In-naħat tax-xellug u tal-lemin taċ-Ċineg tal-Ispallejn għandhom jiġu aġġustati għall-istess tul u ċ-Ċineg tal-Qafas tas-Sider għandha tkun iċċentrata fuq in-naħa ta' isfel ta' sidrek, 15 cm (6 pulzieri)

‘l isfel mill-ispallejn. Id-D-Ring Dorsali ta’ dahrek għandu jkun iċċentrat bejn il-Ġwienah ta’ Spallejk. Id-D-Ring Sternali ta’ quddiem, jekk ikun hemm, għandu jkun lokalizzat lateralment sa 5 cm (2 pulzjeri) mil-linja ċentrali vertikali tal-irbit tas-sikurezza.

Iċċekkja regolarment l-elementi ta’ rbit u aġġustament waqt l-użu

- 3.6 L-UŻU TA’ D-RING TAT-TWAQQIF TA’ WAQĠHA MILL-GHOLI JEW ELEMENT TAL-IRBIT:** Il-punti ta’ ankraġġ għat-Twaqqif ta’ Waqġha mill-Gholi huma mmarkati bl-ittra kapitali “A”. Għall-applikazzjonijiet tat-Twaqqif ta’ Waqġha mill-Gholi kkonnettja mal-element tal-irbit tad-D-ring Dorsali fuq dahrek, jew mal-element tal-irbit tad-D-ring Sternali fuq sidrek. Id-D-rings tal-Ġnub, jekk ikunu hemm, huma għal applikazzjonijiet ta’ Ippożizzjonar jew Trażżin, biss. L-irbit għall-ispallejn huma għal applikazzjonijiet ta’ Salvataġġ jew ta’ Rkupru biss. Id-D-ring Sternali ta’ quddiem huwa għal Tixbit ma’ Slikelem jew Ippożizzjonar. D-rings fuq Sedil tas-Sospensjoni huma għal applikazzjonijiet ta’ Sospensjoni jew Ippożizzjonar biss. (Ara Sezzjoni 1.1.).
- 3.7 BIEX TAGHMEL KONNESSJONIJIET:** Meta tuża ganċ biex tikkonnettja ma’ ankraġġ jew meta tippareġġja komponenti tas-sistema flimkien, kun żgur li ma jstax isehh roll-out. Roll-out isehh meta interferenza bejn il-ganċ u l-konnettur ta’ pariġġ li jidhol go fih tikkawża lill-bieba tal-ganċ (hook gate) biex tiftaħ u terhi b’mod mhux intenzjonat. Għandhom jiġi wżati ganċijiet li jillokkjaw wahedhom (self-locking snap hooks) u carabiners biex tiġi mnaqqsa l-possibbiltà ta’ roll-out. Tużax ganċijiet jew konnetturi li ma jingħalqux kompletament fuq l-oġġett tal-irbit. Ara l-istruzzjonijiet tal-manifattur tas-subsistema għal aktar informazzjoni dwar kif taghmel il-konnessjonijiet.
- 3.8 BIEX TIKKONNETTJA KOMPLEMENTI TAS-SISTEMA:** Wara li jkun iffittja l-Irbit tas-Sikurezza l-utent jista’ mbagħad jikkonnettja ma’ komponenti oħra tas-sistema. Segwi l-linji gwida f’Sezzjoni 2 u l-istruzzjonijiet tal-manifattur inklużi mal-komponent.

4.0 SPEZZJONI

- 4.1 FREKWENZA TAL-ISPEZZJONI:** L-Irbit tas-Sikurezza li Jkopri l-Ġisem Kollu għandu jiġi spezzjonat fl-intervalli definiti f’Sezzjoni 2.2. Il-proċeduri ta’ spezzjoni huma spjegati fir-“Registru tal-Ispezzjoni u Manutenzjoni” (Tabella 1).
- 4.2 DIFETTI:** Jekk l-ispezzjoni tikxef kundizzjoni difettuża, neħhi l-irbit tas-sikurezza mis-servizz immedjatament u eqirdu.
- 4.3 HAJJA TAL-PRODOTT:** Il-ħajja funzjonali tal-Irbit tas-Sikurezza hija determinata minn kundizzjonijiet tax-xogħol u manutenzjoni. It-tul ta’ ħajja massima tista’ tinfirex fuq medda ta’ sena waħda (1) għal użu qawwi f’kundizzjonijiet estremi sa 10 snin għal-użu ħafif f’kundizzjonijiet moderati. Sakemm il-prodott jgħaddi mill-kriterji ta’ spezzjoni, jista’ jinżamm fis-servizz sa massimu ta’ 10 snin.

5.0 MANUTENZJONI, SERVICING, HAŻNA U TRASPORT

Tnaddafx jew tiddiżinfetta l-prodott bi kwalunkwe metodu għajr kif deskritt fl-istruzzjonijiet tat-tindif li ġejjin. Metodi oħra jista’ jkollhom effetti avversi fuq il-prodott jew l-utent.

- 5.1 TINDIF:** L-arnessi tal-ġisem shiħ 3M għandhom jitnaddfu skont l-istruzzjonijiet 3M. Biex tnaddaf ix-xedd, aħsel detergent ħafif mingħajr bliċ u mbagħad laħlah. Wara li x-xedd għandu jkun imdendel biex jinxfel fl-arja. L-ilma użat għat-tindif u t-temperaturi użati biex jinxfu fl-arja m’għandhom qatt jaqbu l-130°F (54.4°C). Għal aktar informazzjoni, jekk jogħġbok irreferi għall-bulettin tekniku fuq il-websajt tagħna: <http://www.3M.com/FallProtection/WebCleaning>

Għal kull mistoqsija dwar proċeduri ta’ tindif, jekk jogħġbok ikkuntattja lis-Servizzi Tekniċi 3M.

- 5.2 SERVIZZ:** L-Irbit tas-Sikurezza Shiħ tal-Ġisem ma jissewewx. Jekk l-Irbit tas-Sikurezza kien sugġett għal xi forzi ta’ waqġha, jew l-ispezzjoni turi kundizzjonijiet perikolużi jew difettivi, neħhi l-Irbit tas-Sikurezza mis-servizz mill-ewwel u eqirdu.
- 5.3 HAŻNA U TRASPORT:** Aħżen u ttrasporta l-Irbit tas-Sikurezza li Jkopri l-Ġisem Kollu f’ambjent frisk, xott u nadif ‘il barra mir-raġġi diretti tax-xemx. Evita spazji fejn jista’ jkun hemm fwar kimiku. Spezzjona l-irbit tas-sikurezza bir-reqqa wara li dan ikun inħażen għal żmien twil.

6.0 TIKKETTAR

Figura 14 turi tikketti tal-prodott u fejn jinsabu fuq l-Irbit tas-Sikurezza li Jkopri l-Ġisem Kollu. It-tikketti kollha għandhom ikunu fil-post u f’kundizzjoni li jinqraw b’mod tajjeb.

L-informazzjoni fuq kull tabella hija kif ġej:

1	(A) Punt ta’ ankraġġ għat-twaqqif ta’ waqġha mill-gholi, immarkat b’ittra kapitali “A” (B) Lokazzjoni tat-tikketta
2	(A) Nota fir-Registru tal-Ispezzjoni (B) Numru tas-serje (C) Inizjali (D) Data (E) Tneħħix din it-tikketta.
3	(A) Tikketta bl-informazzjoni tal-utent
4	(A) Numru tas-serje (B) Xahar tal-manifattura (C) Sena tal-manifattura (D) Numru tal-lott (E) Numru tal-mudell (F) Standard Ewropew (G) Kapacità (H) Daqs (I) Ara l-Istruzzjonijiet (J) Marka ta’ Konformità Ewropea CE (K) Numru tal-Korp notifikat li se jwettaq il-Konformità mat-tip (L) Daqs tad-Dawl

Lees alle veiligheidsinformatie in deze instructies voordat u dit volledige lichaamsharnas gebruikt, vergewist u zich ervan dat u alle informatie hebt begrepen en volg deze op. **NALATIGHEID KAN ERNSTIG LETSEL OF DE DOOD TOT GEVOLG HEBBEN.**

Deze instructies dienen aan de gebruiker van deze apparatuur verstrekt te worden. Bewaar deze instructies zodat u ze later kunt raadplegen.

Beoogd gebruik:

Dit volledige lichaamsharnas is bedoeld voor gebruik als onderdeel van een volledig persoonlijk valbeveiligingssysteem.

Gebruik in andere toepassingen, inclusief (maar niet beperkt tot) materiaalbehandeling, vrijetijdsactiviteiten, sporten of andere activiteiten die niet in de gebruiksinstructies omschreven staan, wordt niet goedgekeurd door 3M en kan leiden tot een ongeval met ernstig letsel of de dood tot gevolg.

Dit apparaat mag uitsluitend worden gebruikt door opgeleide gebruikers voor toepassing op de werkplaats.



WAARSCHUWING

Dit volledige lichaamsharnas maakt deel uit van een persoonlijk valbeveiligingssysteem. Er wordt verwacht dat alle gebruikers volledig zijn opgeleid voor een veilige installatie en veilig gebruik van hun persoonlijke valbeveiligingssysteem. **Misbruik van dit apparaat kan leiden tot ernstig letsel of een dodelijk ongeval.** Raadpleeg voor het correct selecteren, installeren, bedienen, onderhouden en verzorgen deze gebruiksaanwijzing, inclusief alle aanbevelingen van de fabrikant, of raadpleegt u uw leidinggevende of neemt u contact op met 3M Technical Services.

- **Doe het volgende om de risico's te beperken die gepaard gaan met het werken met een volledig lichaamsharnas, waarbij nalatigheid kan leiden tot ernstig letsel of een dodelijk ongeval:**
 - Inspecteer voorafgaand aan elk gebruik alle onderdelen van het systeem, minstens één keer per jaar en na elke valgebeurtenis. Voer de inspectie uit aan de hand van de gebruiksaanwijzing.
 - Indien uit inspectie een onveilige of gebrekkige toestand blijkt, dient u het systeem buiten gebruik te stellen en het te vernietigen.
 - Systemen die onderworpen zijn aan valstop- of botskrachten, moeten onmiddellijk buiten gebruik worden gesteld en vernietigd.
 - Zorg dat het harnas op correcte wijze wordt gedragen, dat het de juiste maat heeft en goed is afgesteld.
 - Zorg dat alle verbindende subsystemen (bijv. lijnen) gevrijwaard blijven van alle gevaren. Dit omvat, maar is niet beperkt tot, het verstrikt raken met andere arbeiders, uzelf, bewegende apparatuur of andere omringende voorwerpen.
 - Zorg ervoor dat valbeveiligingssystemen/-subsystemen die zijn samengesteld uit onderdelen van verschillende fabrikanten compatibel zijn en aan de geldende normen voldoen, waaronder ANSI Z359 of andere geldende voorschriften, normen of vereisten op het gebied van valbescherming. Raadpleeg altijd een deskundige en/of een gekwalificeerd persoon voordat u deze systemen gebruikt.
- **Doe het volgende om de risico's te beperken die gepaard gaan met het werken op hoogte, waarbij nalatigheid kan leiden tot een ongeval met ernstig letsel of de dood tot gevolg:**
 - Vergewist u zich ervan dat u met uw gezondheid en lichamelijke conditie veilig bestand bent tegen alle krachten die kunnen optreden bij het werken op hoogte. Raadpleeg uw arts als u vragen heeft over of u in staat bent om deze uitrusting te gebruiken.
 - Overschrijd nooit de toelaatbare capaciteit van uw valbeveiligingsuitrusting.
 - Overschrijd nooit de maximale vrijevalafstand van uw valbeveiligingsuitrusting.
 - Gebruik nooit valbeveiligingsuitrusting die tijdens geplande inspecties of proefgebruik een gebrek vertoont, of als u onzeker bent over het gebruik of de geschiktheid van de uitrusting voor uw toepassing. Neem voor al uw vragen contact op met 3M Technical Services.
 - Sommige combinaties van subsystemen en componenten kunnen de werking van deze uitrusting verstoren. Gebruik uitsluitend koppelingen die onderling geschikt zijn. Raadpleeg 3M voordat u deze apparatuur gebruikt in combinatie met andere componenten of subsystemen dan in de gebruiksinstructies beschreven staan.
 - Wees extra voorzichtig bij het werken in de buurt van bewegende machines (bijv. de top drive van een boorplatform), op plaatsen met elektrische gevaren, extreme temperaturen, chemische gevaren, explosieve of giftige gassen, scherpe randen of onder voorwerpen boven het hoofd die op u of uw valbeveiligingsuitrusting kunnen vallen.
 - Gebruik bij werken in een hete omgeving of met hitteapparatuur beschermingsmiddelen tegen risico's op een vlamboog en brandgevaar.
 - Vermijd oppervlakken en voorwerpen die de gebruiker of de uitrusting kunnen beschadigen.
 - Zorg ervoor dat er voldoende vrije val is bij het werken op hoogte.
 - Breng nooit wijzigingen of modificaties aan uw valbeveiligingsuitrusting aan. Alleen 3M, of partijen die door 3M schriftelijk bevoegd worden gesteld, mogen de uitrusting repareren.
 - Zorg voordat de valbeveiligingsuitrusting in gebruik wordt genomen dat er een reddingsplan aanwezig is waarmee in geval van een val snel hulp kan worden geboden.
 - Laat na een val de betreffende persoon onmiddellijk door een arts onderzoeken.
 - Gebruik geen lichaamsgordel voor valstop toepassingen. Gebruik uitsluitend een volledig lichaamsharnas.
 - Minimaliseer scheef vallen door zo recht mogelijk onder de verankering te werken.
 - Bij training met dit apparaat moet een tweede valbeveiligingssysteem worden gebruikt om elk risico te vermijden dat de gebruiker-in-training per ongeluk aan valgevaar wordt blootgesteld.
 - Draag altijd geschikte persoonlijke beschermingsmiddelen bij het installeren, gebruiken of inspecteren van het apparaat/systeem.

Noteer vóór u deze apparatuur gebruikt de productidentificatiegegevens op het ID-label in het "Inspectie- en onderhoudslogboek" achter in deze handleiding.

Zorg er altijd voor dat u de nieuwste versie van uw 3M handleiding gebruikt. Ga naar de 3M-website of neem contact op met 3M Technical Services voor bijgewerkte handleidingen.

OMSCHRIJVING

Afbeelding 1 definieert de beschikbare modellen van het 3M™ Protecta®-volledig lichaamsharnas. Harnasmodellen zijn beschikbaar met verschillende combinaties van de volgende functies:

	Afbeelding 1 referentie:	Beschrijving:
Maten	S, M/L, XL	Klein, Middelgroot/Groot, Extra groot
	Ⓑ	Riemmaat in cm
Aankoppelingselementen	①	Dorsale D-ring
	②	D-ring borstbeen
	③	D-ringen heup
	④	Schouderbevestiging
Gespen	⑤	Snelsluitgespen
	⑥	Doorvoergespen
Afstellers	⑦	Parachute-torso-afstellers
Kussens	⑧	Gordel en heuppad
	⑨	Beenkussen
Extra functies	⑩	Break-away auto-reset lijnhouders
	⑪	Beheer gordeluiteinde. Zie afbeelding 11.
	⑫	Reddingsgordel
	⑬	Gereedschapslus

SPECIFICATIES

Prestaties:	
Maximale kracht	6 kN (1 349 lbf)
Capaciteit	140 kg (310 lb.)
Werktemperatuur:	Minimum: -35 °C (-31 °F) Maximum: +57 °C (135 °F)

Materialen:	
Singelband	Polyester - 22 kN (4 946 lbf) treksterkte
Padafdekkingen	Mengeling van nylon en polyester
Labelafdekking	Mengeling van nylon en polyester
Draad	Polyesterdraad op polyester singelband
D-ringen	Gelegeerd staal - 22 kN (4 946 lbf) trekkracht
Snelsluitgespen	Staal, roestvrij staal en gelegeerd staal - 18 kN (4 047 lbf) trekkracht
Doorvoergespen	Gelegeerd staal - 18 kN (4 047 lbf) trekkracht
Parachute-torso-afstellers	Gelegeerd staal - 18 kN (4 047 lbf) trekkracht

1.0 TOEPASSINGEN

1.1 DOEL: Volledige lichaamsharnassen worden gebruikt als onderdeel van een valbeveiligingssysteem voor het voorkomen of veilig opvangen van een val (zie afbeelding 2). Volledige lichaamsharnassen worden gebruikt in de volgende toepassingen:

(A)	Valstop (EN360, EN361, EN355): Persoonlijke valstopssystemen bestaan doorgaans uit een volledig lichaamsharnas en een aangesloten subsysteem (energieabsorberend koord, zelfintrekbaar apparaat, etc.). De maximale valbreekkracht mag niet hoger zijn dan 6 kN (1 349 lbf). <i>Verankeringssterkte:</i> De geselecteerde verankering moet belastingen van 12 kN (2 698 lbf) of hoger kunnen dragen.
(B)	Werkpositionering (EN358, EN813): Werkpositioneringssystemen bestaan doorgaans uit een volledig lichaamsharnas, een positioneringlijn en een persoonlijk valstopstelsel ter reserve. Voor werkplekpositioneringstoepassingen verbindt u het werkplekpositioneringssubsysteem (bijvoorbeeld: lijn, Y-lijn, enz.) aan de lagere zijde (heupniveau) of de verankerings-elementen van werkpositioneringsaankoppelingen op de gordel (D-ringen). Gebruik deze verbindingpunten nooit voor de valstop. <i>Aankoppelingselementen:</i> Voorzijde, heup. <i>Verankeringssterkte:</i> De geselecteerde verankering moet belastingen van 12 kN (2 698 lbf) of hoger kunnen dragen.
(C)	Klimmen (EN353-1): Het volledige lichaamsharnas wordt gebruikt als onderdeel van een klimsysteem, om te voorkomen dat een gebruiker valt bij het beklimmen van een ladder of andere structuur. Klimsystemen bestaan doorgaans uit een volledig lichaamsharnas, een aan de structuur bevestigde verticale kabel of rail en een klimmof. Voor ladderklimtoepassingen kunnen harnassen worden gebruikt met een frontale D-ring op het borstbeen, voor valopvang op vaste ladderklimsystemen. <i>Aankoppelingselementen:</i> Borstbeen. <i>Verankeringssterkte:</i> Structuur waaraan het klimsysteem wordt bevestigd moet de belastingen zoals die worden vermeld in de documentatie van de fabrikant van het klimsysteem kunnen dragen.
(D)	Redding (EN1496, EN1497, EN1498): Het volledige lichaamsharnas wordt gebruikt als onderdeel van een reddingssysteem. Reddingssystemen worden geconfigureerd afhankelijk van het soort redding. Bij toepassingen met beperkte toegang (nauwe ruimten) kunnen harnassen met D-ringen op de schouders worden gebruikt voor het betreden en verlaten van nauwe ruimten waarin het profiel van de werknemer een probleem kan vormen. <i>Aankoppelingselementen:</i> Rug, borstbeen, voorzijde, schouder. <i>Verankeringssterkte:</i> De geselecteerde verankering moet belastingen van 12 kN (2 698 lbf) of hoger kunnen dragen.
(E)	Gecontroleerd afdalen (EN341): Voor toepassingen met gecontroleerd afdalen, kunnen harnassen met een enkele D-ring op borstbeenniveau, een of twee aan de voorkant aangebrachte D-ringen, of een paar connectors die van beneden het middel komen (zoals een zitstrop) worden gebruikt voor verbinding met een afdaal- of evacuatiesysteem. <i>Aankoppelingselementen:</i> Rug, borstbeen, voorzijde. <i>Verankeringssterkte:</i> De geselecteerde verankeringen moeten belastingen van 12 kN (2 698 lbf) of hoger kunnen dragen.
(F)	Valbeveiliging (EN354): Het volledige lichaamsharnas wordt gebruikt als onderdeel van een valbeveiligingssysteem om te voorkomen dat een gebruiker wordt blootgesteld aan een valrisico. Valbeveiligingssystemen bestaan doorgaans uit een volledig lichaamsharnas en een koord of beveiligingslijn. <i>Aankoppelingselementen:</i> Rug, borstbeen, voorzijde, heup. <i>Verankeringssterkte:</i> De geselecteerde verankering moet belastingen ten minste 18 kN (4 047 lbf) bij vanglijnen, inclusief textielmateriaal of lanyardelementen van textiel, b.v. er worden touwen van synthetische vezels of banden gebruikt. Als lanyards volledig van metalen elementen worden gebruikt, moet de verankering lasten van ten minste 12 kN (2 698 lbf) aanhouden.

1.2 NORMEN: De harnassen in deze handleiding voldoen aan de norm(en) vermeld op de voorzijde van deze instructie. Als dit product opnieuw verkocht wordt buiten het oorspronkelijke land van bestemming, dient de wederverkoper deze instructies te leveren in de taal van het land waarin het product gebruikt zal worden.

1.3 TRAINING: Het is de verantwoordelijkheid van de gebruiker en de koper van deze apparatuur om er zeker van te zijn dat ze deze instructies kennen, getraind zijn in het juiste gebruik en de verzorging van de apparatuur en zich bewust zijn van de gebruiksfuncties, toepassingsbeperkingen en de gevolgen van onjuist gebruik van deze apparatuur.

1.4 BEPERKINGEN: De volgende toepassingsbeperkingen moeten in overweging genomen worden voordat deze apparatuur in gebruik wordt genomen:

- **CAPACITEIT:** Het volledige lichaamsharnas is ontworpen voor gebruik door personen met een samengesteld gewicht (kleding, gereedschap, enz.) van maximaal 140 kg (309 lb.). Zorg ervoor dat alle onderdelen van uw systeem de juiste capaciteit hebben voor uw toepassing.
- **VRIJE VAL:** Een valbeveiligingssysteem omvat energie-absorberende elementen of functies om ervoor te zorgen dat de botskrachten op het lichaam van de gebruiker tijdens het stoppen van een vrije val worden beperkt tot een maximum van 6 kN (1 349 lbf). Valbeveiligingssystemen moeten zodanig worden afgesteld dat een verticale vrije val niet mogelijk is. Werkpositioneringssystemen moeten zodanig worden afgesteld dat een vrije val beperkt is tot 60 cm (24 in.) of minder. Persoonlijke verplaatsingssystemen moeten zodanig worden afgesteld dat een verticale vrije val niet mogelijk is. Reddingssystemen moeten zodanig worden afgesteld dat een verticale vrije val niet mogelijk is. Zie de instructies van de fabrikant van het subsysteem voor meer informatie.
- **VALSPELING:** Afbeelding 3 toont de onderdelen van een valstopstelsel. Er moet voldoende valspeeling (Fall Clearance - FC) zijn om een val op te vangen voordat een gebruiker in aanraking komt met de grond of enig ander obstakel. Valspeeling wordt beïnvloed door meerdere factoren, waaronder: (A) lijnlengthe, (B) lijnvertragingafstand of SRD maximale valopvangafstand, (C) harnaselasticiteit en D-ring/connectorlengthe en inzakking (doorgaans een veiligheidsfactor van 0,5 m (1,6 ft.)). Raadpleeg de instructies bij uw lijn of zelfintrekbaar apparaat voor specifieke informatie over het berekenen van de vrije val.
- **SCHEEF VALLEN:** Zwenkvallen ontstaan wanneer het verankeringspunt niet recht boven het punt ligt waar de val optreedt (zie afbeelding 4). De kracht waarmee tegen een voorwerp wordt gestoten bij scheef vallen, kan ernstig letsel of de dood veroorzaken. Minimaliseer zwenkvallen door zo recht mogelijk onder het ankerpunt te werken. Vermijd scheef vallen als er letsel kan ontstaan. Zwenkvallen verhogen de vereiste valspeeling aanzienlijk als er een zelfintrekbaar apparaat of ander verbonden subsysteem met variabele lengte gebruikt wordt.
- **DLANGDURIGE OPHANGING EN SUSPENSIE TRAUMA:** Een volledig lichaamsharnas is niet bedoeld voor gebruik in toepassingen met langdurige ophanging. Langdurige ophanging kan suspensietrauma veroorzaken. Als de gebruiker langdurig in staat van ophanging blijft, wordt het aanbevolen een bepaalde vorm van zittingsteuning te gebruiken. 3M beveelt aan een zitplank, hangend werktuig, zitstrop of bootsmanstoel te gebruiken. Neem voor meer informatie over deze artikelen contact op met 3M.
- **GEVAREN VOOR HET MILIEU:** Gebruik van deze apparatuur in gebieden met gevaren voor het milieu kunnen aanvullende voorzorgsmaatregelen vereisen om de mogelijkheid van letsel voor de gebruiker of beschadiging aan de apparatuur te voorkomen. De gevaren kunnen bestaan uit, maar zijn niet beperkt tot: warmte, chemicaliën, corrosieve omgevingen, hoogspanningsleidingen, gassen, bewegende machines en scherpe randen.
- **HARNASSEN VOOR OMGEVINGEN MET HOGE TEMPERATUREN:** Harnassen met Kevlar-singelband zijn ontworpen voor gebruik in omgevingen met hoge temperaturen, met beperkingen: Kevlar-singelband begint te verkolen bij 425 - 480 °C (800 - 900 °F). Kevlar-singelband kan bij beperkt contact blootstelling aan temperaturen tot 535 °C (1 000 °F) weerstaan. Polyester-singelband verliest zijn sterkte bij 145 - 200 °C (300 - 400 °F). Een PVC-deklaag op hardware heeft een smeltpunt dat ligt bij ongeveer 175 °C (350 °F).

Hoewel verzinkte en van een PVC-deklaag voorziene hardware een hoge weerstand heeft tegen corrosie in chemische, zure, alkalische en atmosferische omgevingen, zijn regelmatige inspecties mogelijk nodig. Vraag 3M om advies wanneer u vragen hebt over het gebruik van deze apparatuur in gevaarlijke omgevingen.

2.0 SYSTEEMGEBRUIK

- 2.1 REDDINGSPLAN:** Wanneer deze apparatuur en verbindende subsystemen worden gebruikt, dient de werkgever te beschikken over een reddingsplan en de middelen binnen bereik te hebben om het reddingsplan te implementeren en te communiceren naar gebruikers,¹ bevoegde personen² en reddingswerkers³.
- 2.2 INSPECTIEFREQUENTIE:** De gebruiker dient het volledige lichaamsharnas telkens voorafgaand aan gebruik te inspecteren, en minimaal elke 12 maanden laten inspecteren door een⁴ andere deskundige persoon dan de gebruiker⁵. Inspectieprocedures worden beschreven in het 'Inspectie- en onderhoudslogboek' van de gebruikershandleiding. De resultaten van elke inspectie door een deskundige moeten worden genoteerd op kopieën van het "Inspectie- en onderhoudslogboek" of worden bijgehouden met het Radio Frequentie Identificatie-systeem (zie "Inspectie").

In zoverre vanwege de complexiteit of innovatie van apparatuur; of in zoverre cruciale kennis die nodig is voor het uit elkaar halen, weer in elkaar zetten, of beoordelen van de apparatuur vereist wordt door 3M, zullen periodieke inspecties uitsluitend worden uitgevoerd door 3M of personen of organisaties die geautoriseerd zijn door 3M.

- 2.3 COMPATIBILITEIT VAN ONDERDELEN:** 3M-apparatuur is ontworpen voor gebruik met alleen door 3M goedgekeurde onderdelen en subsystemen. Substitutes of vervangingen door niet-goedgekeurde onderdelen of subsystemen kunnen de compatibiliteit van apparatuur in gevaar brengen en kunnen de veiligheid en betrouwbaarheid van het volledige systeem beïnvloeden.
- 2.4 COMPATIBILITEIT VAN CONNECTORS:** Connectors worden als compatibel met verbindende elementen beschouwd wanneer deze zijn ontwikkeld om op een dusdanige manier samen te werken dat de maten en vormen, ongeacht hun oriëntatie, geen onbedoeld opengaan van sluitingsmechanismen veroorzaken. Neem contact op met 3M als u vragen hebt over compatibiliteit. Connectors (haken, karabiners en D-ringen) moeten in staat zijn om een belasting van ten minste 22 kN (4 946 lbf) te dragen. Connectors moeten compatibel zijn met de verankering of andere systeemcomponenten. Gebruik geen apparatuur die niet compatibel is. Connectors die niet compatibel zijn, kunnen onbedoeld losraken (zie afbeelding 5). Connectors moeten compatibel zijn qua grootte, vorm en sterkte. Als het verbindingselement waaraan de musketonhaak (als op de afbeeldingen) of karabiner bevestigd wordt, te klein of onregelmatig van vorm is, kan er een situatie optreden waarbij het verbindingselement kracht uitoefent op de sluiting van de musketonhaak of karabiner. Door deze kracht kan de sluiting opengaan, waardoor de karabijnhaak of musketon kan losraken van het verbindingpunt. Zelfvergrendelende karabijnhaken en karabiners zijn vereist.
- 2.5 VERBINDINGEN MAKEN:** Gebruik uitsluitend zelfvergrendelende musketon- en/of karabijnhaken met dit materieel. Gebruik alleen connectors die geschikt zijn voor elke toepassing. Zorg ervoor dat de verbindingen qua grootte, vorm en sterkte bij elkaar passen. Gebruik geen apparatuur die niet compatibel is. Controleer of alle verbindingen volledig gesloten en vergrendeld zijn.

3M-connectors (musketonhaken en karabiners) zijn ontworpen om alleen gebruikt te worden zoals in de gebruikersinstructies van elk product vermeld staat. Zie afbeelding 6 voor onjuiste verbindingen. Musketonhaken en karabiners van 3M mogen niet worden verbonden:

- A. Met een D-ring waaraan al een andere connector is bevestigd.
 - B. Op een wijze die zou resulteren in een belasting op de snapper.
 - C. Bij een onjuiste aankoppeling, waarbij onderdelen die uitsteken buiten de nok van karabijnhaak of musketon op het anker haken en zonder visuele bevestiging volledig aangekoppeld lijken te zijn aan het verankeringspunt.
 - D. Aan elkaar.
 - E. Direct aan singelband of touwlijn of 'tie-back' (tenzij de instructies van de fabrikant een dergelijke verbinding voor zowel de lijn als de connector specifiek toestaan).
 - F. Aan elk voorwerp dat een dusdanige vorm of een dusdanig formaat heeft dat de karabijnhaak of musketon niet kan worden gesloten en vergrendeld of waarbij uitrollen kan optreden.
 - G. Op een wijze waarbij de connector onder belasting geen correcte positie kan innemen.
- 2.6 VERBINDENDE SUBSYSTEMEN:** Verbindende subsystemen (zelfintrekbare reddingslijn, lijn, kabelgrip en reddingslijn, kabelmof, etc.) moeten geschikt zijn voor uw toepassing (zie sectie 1.1). Zie de instructies van de fabrikant van het subsysteem voor meer informatie. Sommige harnasmodellen zijn voorzien van verbindingpunten met singelbandlus. Koppel geen karabijnhaken aan singelbandlussen. Koppel daarentegen een zelfvergrendelende musketon aan singelbandlussen. Zorg ervoor dat de belasting niet op de sluiting van de musketon wordt uitgeoefend (in plaats van langs de hoofdas van de musketon). Sommige lijnen zijn ontworpen om te worden vastgemaakt aan een singelbandlus om een compatibele verbinding te leveren. Lijnen kunnen direct op de singelbandlus worden genaaid om een permanente verbinding te vormen. Maak niet meerdere verbindingen op een enkele singelbandlus, tenzij u twee lijnen vastmaakt aan een singelbandlus van de juiste grootte. Om de lijn vast te maken aan een singelbandlus (afbeelding 7): A) Haal de koordsingelbandlus door de singelbandlus of D-ring op het harnas. B) Haal het juiste uiteinde van de lijn door de koordsingelbandlus. C) Haal de lijn door de verbindende singelbandlus om het vast te zetten.
- 2.7 LIJNBEVESTIGING:** Afbeelding 8 toont lijnbevestiging. Het bevestigingsformulier is bedoeld voor het bevestigen van het vrije uiteinde van een lijn of een aan het harnas bevestigd zelfintrekbaar apparaat wanneer het niet verbonden is met een verankeringsverbindingpunt voor valbescherming. Lijnbevestigingselementen mogen nooit worden gebruikt als een aankoppelingselement voor valbescherming voor het verbinden van een lijn of zelfintrekbaar apparaat (A).

Wanneer een uiteinde van de vallijn niet verbonden is met een verankeringsverbindingpunt, moet deze correct bevestigd worden aan het harnas (B) of stevig met de hand van de gebruiker worden vastgehouden zoals in 100% Tie-Off-toepassingen (Tie-Off) (C). Vrijhangende lijnuiteinden (D) kunnen de gebruiker laten struikelen of blijven hangen aan omringende voorwerpen, wat kan leiden tot een val.

1 Gebruiker: Een persoon die activiteiten uitvoert op aanzienlijke hoogten en hierbij beschermd wordt door een valbeschermingssysteem.

2 Bevoegd persoon: Een persoon die door de werkgever aangewezen is om werk uit te voeren op een locatie waar de persoon blootgesteld wordt aan een valrisico.

3 Redder: Een andere persoon of andere personen dan de te redden persoon, die optreedt of optreden om een geassisteerde redding uit te voeren door middel van een reddingssysteem.

4 Deskundige: Een persoon die in staat is om bestaande en voorspelbare gevaren in de werkomgeving of -omstandigheden te identificeren die onhygiënisch, gevaarlijk of riskant zijn voor werknemers, en die bevoegd is om direct corrigerende acties te ondernemen om deze te elimineren.

5 Regelmaat van inspectie: Extreme werkomstandigheden (moeilijke omgevingen, langdurig gebruik, enz.) kunnen vereisen dat de frequentie van inspecties door deskundigen wordt opgevoerd.

3.0 GEBRUIK VAN HET HARNAS

3.1 INSPECTEER deze apparatuur telkens voorafgaand aan gebruik aan de hand van het "Inspectie- en onderhoudslogboek" (tabel 1).

3.2 PLAN uw systeem voordat u het gebruikt. Neem hierbij alle factoren in overweging die uw veiligheid tijdens het gebruik van de apparatuur kunnen beïnvloeden. De volgende lijst biedt een aantal belangrijke punten om op te letten wanneer u uw systeem plant:

- **Verankering:** Selecteer een verankering die de statische belasting van de voorgenomen valbeschermingstoepassing kan dragen (zie sectie 1.1). De verankeringslocatie dient aan de juiste voorwaarden te voldoen voor vrije val, valspeling, zwenkval en omgevingsbeperkingen zoals beschreven in sectie 1.4.
- **Scherpe randen:** Vermijd werkzaamheden op locaties waar systeemonderdelen in contact kunnen komen met onbeschermde scherpe randen, of hierlangs kunnen schuren.
- **Na een val:** Onderdelen die zijn blootgesteld aan valbreekkrachten moeten buiten gebruik gesteld en vernietigd worden.
- **Redding:** De werkgever dient over een reddingsplan te beschikken wanneer hij deze apparatuur gebruikt. De werkgever dient in staat te zijn om snel en veilig een reddingsoperatie uit te voeren.
- **Reddingsharnas:** Reddingsharnassen (EN1497) zijn bedoeld om te worden gedragen tijdens normale werkzaamheden. Voorafgaand aan het eerste gebruik van aangekoppelde reddingselementen moet de gebruiker een ophangingstest uitvoeren in veilige omstandigheden, om te verzekeren dat het harnas goed passend is voor optimaal comfort tijdens ophanging.
- **Werkpositionering:** Overweeg wanneer u een werkpositioneringssysteem gebruikt altijd of het nodig is om als back-up een persoonlijk valbeveiligingssysteem (bijv. een valopvangsysteem) te gebruiken. Gebruik altijd een ankerpunt dat zich op of boven heuphoogte bevindt.

3.3 GESPEN: De volledige lichaamsharnassen zijn uitgerust met verschillende gespbevestigingen en instelbare been- en borstriemen. Harnaslichaamsgordels zijn voorzien van een gesp. Zie afbeelding 1 voor de verschillende gespen op uw harnas. Afbeelding 9 toont de werking van elk van de volgende gespen:

1. Snelsluitgespen:

- A. Om de snelsluitgesp vast te maken, drukt u de tab in de receptor tot u een klik hoort.
- B. Om de bevestigde singelband af te stellen: Trek de singelband naar voren of naar achteren door de gleuf van de gesp om deze vast of los te maken.
- C. Om de snelsluitgesp los te maken: Knijp in de vergrendelingshendels aan beide zijden van de receptor. Trek de tab uit de receptor.

2. Doorvoergespen:

- A. Steek de mannelijke gesp door de gleuf in de vrouwelijke gesp.
- B. Draai de vrije riem vast, zodat de mannelijke gesp tegen de vrouwelijke gesp aan ligt. Bevestig de vrije riem in de riemhouder.

3.4 AFSTELLING: Harnassen zijn uitgerust met een paar torso-afstellers voor het afstellen van de schouderriemen. Afbeelding 10 illustreert aanpassingen van de torso-afstellers:

1. Parachute-torso-afstellers: Om de schouderriemen af te stellen met de Parachute-torso-afstellers:

- A. Trek aan de vrije riem om de schouderriem vast te maken. Om de schouderriem los te maken, trekt u aan de vrije riem en vervolgens trekt u deze terug door de Parachute-afsteller.
- B. Wanneer deze goed is afgesteld, zet u de vrije riem in de riemhouder vast.

Als het velcro-webuiteindebeheer (zie afbeelding 11) aanwezig is, rolt u de vrije webband terug totdat deze strak zit (A), verbindt u de velcro-strepen terug over de riem en zet u de strepen vast (B). Zorg ervoor dat de rol strak zit en dat de riemhouder dicht bij de rol (C) wordt geplaatst.

3.5 AANTREKKEN EN AFSTELLEN VAN HET VOLLEDIGE LICHAAMSHARNAS: Afbeelding 13 toont hoe het volledige lichaamsharnas wordt aantrokken en afgesteld. Inspecteer het harnas voorafgaand aan elk gebruik aan de hand van de checklist in het 'Inspectie- en onderhoudslogboek' (tabel 1). Om het harnas aan te trekken en af te stellen:

De procedures voor het aangespen en verstellen van de riemen op uw harnas verschillen per model. Zie de secties 3.3 t/m 3.4 en de afbeeldingen 9 t/m 10 voor meer gegevens.

1. Breng het harnas omhoog en houd het vast aan de dorsale D-ring. Controleer of de banden niet gedraaid zijn.
2. Pak de schouderriemen vast en trek het harnas over één arm. De D-ring bevindt zich nu op uw rug. Zorg dat de banden niet verstrengeld zijn en dat ze loshangen. Schuif uw vrije arm in het harnas en plaats de schouderriemen boven op uw schouders. De borstriem en bijbehorende borstgesp zullen zich, wanneer u het harnas goed draagt, op uw borst bevinden.
3. Reik tussen uw benen en pak de beenriem aan uw rechterkant. Breng de riem tussen uw benen door naar boven en sluit deze aan op de bijbehorende gesp op uw rechterheup, en verstel de beenriem voor een goede, comfortabele pasvorm (zie sectie 3.3 voor de werking van gespen). Stop, na juiste afstelling, het losse uiteinde van de beenriem onder de riemhouder.
Herhaal dit proces om de linker beenriem aan te gespen en af te stellen.
4. Stel de tonggesp af en gesp deze, indien aanwezig, vast. (zie sectie 3.3 voor de werking van de tonggesp).
5. Verstel en maak de borstriem vast (zie sectie 3.3 voor de werking van de gesp). De borstriem dient zich 15 cm (6 in) onder de bovenzijde van uw schouders te bevinden. Stop, na juiste afstelling, het losse uiteinde van de borstriem onder de riemhouder.
6. Verstel de schouderriemen met de torso-afstellers (zie sectie 3.4 voor de werking van torso-afstellers) voor een goede pasvorm. De linker- en rechterzijden van de schouderriemen dienen te worden afgesteld op dezelfde lengte.

De borstriem dient zich midden onder op uw borst te bevinden, 15 cm (6 in) onder uw schouders. De D-ring op de rug dient zich in het midden tussen uw schouderbladen te bevinden. De D-ring op het borstbeen aan de voorkant moet, indien aanwezig, lateraal gepositioneerd zijn binnen 5 cm (2 in) van de verticale middenlijn van het harnas.

Controleer regelmatig de bevestigings- en afstelelementen tijdens gebruik

- 3.6 GEBRUIK VAN VALSTOP-D-RING OF AANKOPPELINGSELEMENT:** Ankerpunten til efterårsbeskyttelse er markeret med bogstav "A". Voor valstop-toepassingen dient u een bevestiging te maken op de D-ring of het aankoppelingselement op uw rug, tussen uw schouderbladen, of D-ring op het borstbeen aan de voorkant bevestigingselement op uw borst. D-ringen aan de zijkant, indien aanwezig, zijn alleen bedoeld voor positionerings- of valbeveiligingstoepassingen. Schouderbevestigingen zijn uitsluitend bedoeld voor reddings- of ophaaltoepassingen. De D-ring op het borstbeen aan de voorkant is bedoeld voor het beklimmen van ladders of voor positionering. D-ringen op een ophangstoel zijn uitsluitend bedoeld voor ophangings- en positioneringstoepassingen. (Zie sectie 1.1).
- 3.7 VERBINDINGEN MAKEN:** Wanneer u zich met behulp van een haak verbindt aan een verankering of wanneer u systeemonderdelen aan elkaar koppelt, dient u te zorgen dat de onderdelen niet kunnen uitrollen. Uitrollen treedt op als interferentie tussen de haak en bijbehorende connector er de oorzaak van is dat de haakpoort onbedoeld opengaat en loslaat. Zelfvergrendelende veerringhaken en karabijnhaken moeten gebruikt worden om de kans op uitrollen te voorkomen. Gebruik geen haken of connectors die niet helemaal sluiten over datgene waarop ze moeten passen. Raadpleeg de instructies van de fabrikant van het subsysteem voor meer informatie over bevestigingen.
- 3.8 SYSTEEMONDERDELEN VERBINDEN:** Nadat de gebruiker het harnas heeft aangetrokken en afgesteld, kan hij/zij zich vastmaken aan andere systeemonderdelen. Volg de richtlijnen in sectie 2 en de bij dit onderdeel behorende instructies van de fabrikant.

4.0 INSPECTIE

- 4.1 INSPECTIEFREQUENTIE:** Het volledig lichaamsharnas moet op specifieke tijdstippen worden geïnspecteerd, zoals aangegeven in sectie 2.2. De inspectieprocedures zijn beschreven in het "Logboek voor inspectie en onderhoud" (tabel 1).
- 4.2 DEFECTEN:** Indien uit inspectie een gebrek blijkt, dient u het harnas onmiddellijk buiten gebruik te stellen en te vernietigen.
- 4.3 GEBRUIKSDUUR VAN HET PRODUCT:** De functionele levensduur van harnassen wordt bepaald door de werkomstandigheden en het onderhoud. De maximale levensduur kan variëren van 1 jaar voor zwaar gebruik in extreme omstandigheden, tot 10 jaar voor licht gebruik in milde omstandigheden. Zolang het product bij inspectie aan de criteria voldoet, kan het in gebruik blijven tot een maximum van 10 jaar.

5.0 ONDERHOUD, REPARATIES, OPSLAG EN TRANSPORT

Reinig of desinfecteer het product niet op een andere manier dan is beschreven in de volgende reinigingsinstructies. Andere methoden kunnen nadelige effecten hebben op het product of de gebruiker.

- 5.1 REINIGEN:** 3M-harnassen voor het hele lichaam moeten worden gereinigd in overeenstemming met de instructies van 3M. Om het harnas schoon te maken, wast u het in een mild, bleekvrij wasmiddel en spoelt u het daarna uit. Het harnas moet daarna worden opgehangen om aan de lucht te kunnen drogen. Water dat wordt gebruikt voor het reinigen en de temperatuur bij het aan de lucht drogen, mogen nooit hoger zijn dan 130°F (54,4°C). Voor meer informatie verwijzen wij u naar het technisch bulletin op onze website: <http://www.3M.com/FallProtection/WebCleaning>


Voor vragen over reinigingsprocedures kunt u contact opnemen met de technische dienst van 3M.

- 5.2 ONDERHOUD:** Volledige lichaamsharnassen kunnen niet worden gerepareerd. Als het harnas heeft blootgestaan aan valkrachten of als bij inspectie een onveilige of defecte toestand wordt geconstateerd, dient u het harnas onmiddellijk buiten gebruik te stellen en te vernietigen.
- 5.3 OPSLAG EN TRANSPORT:** Bewaar en vervoer het volledige lichaamsharnas in een koele, droge, schone omgeving, buiten direct zonlicht. Vermijd plekken waar chemische dampen kunnen voorkomen. Inspecteer het harnas na langdurige opslag.

6.0 LABELING

Afbeelding 14 toont productlabels en hun locatie op het volledige lichaamsharnas. Alle labels dienen aanwezig en volledig leesbaar te zijn.

Elk label bevat de volgende informatie:

1	(A) Ankerpunt voor valbeveiliging, gemarkeerd met hoofdletter "A" (B) Label locatie
2	(A) Inspectielogboek (B) Serienummer (C) Aanvankelijke (D) Datum (E) Verwijder dit label niet.
3	(A) Label met gebruikersinformatie
4	(A) Serienummer (B) Maand van fabricage (C) Jaar van fabricage (D) Batchnummer (E) Modelnummer (F) Europese standaard (G) Capaciteit (H) Maat (I)  Zie instructies (J) CE-markering (K) Nummer van keuringsinstituut die de conformiteit met het type uitvoert (L) Riemmaat

Les, forstå og følg all sikkerhetsinformasjon i disse instruksjonene før du tar denne helkroppsselen i bruk. UNNLATELSE AV Å GJØRE DETTE KAN FØRE TIL ALVORLIG SKADE ELLER DØD.

Disse instruksjonene må gis til brukeren av utstyret. Ta vare på disse instruksjonene for fremtidig referanse.

Tilsiktet bruk:

Denne helkroppsselen er beregnet for bruk som del av et komplett personlig fallsikringssystem.

Bruk i en hvilken som helst annen sammenheng inkludert, men ikke begrenset til, materialhåndtering, fritidsbruk eller idrettsrelaterte aktiviteter, eller andre aktiviteter som ikke beskrives i Brukerinstruksjonene, er ikke godkjent av 3M og kan resultere i alvorlig personskade eller død.

Denne innretningen skal bare brukes av opplærte brukere i arbeidsplassanvendelser.

ADVARSEL

Denne helkroppsselen er en del av et komplett personlig fallsikringssystem. Det forventes at alle brukere er fullt opplært i sikker installering og betjening av deres personlige fallsikringssystem. **Misbruk av denne innretningen kan resultere i alvorlig personskade eller død.** For riktig utvalgelse, betjening, installering, vedlikehold og service, se disse bruksanvisningene, inkludert alle produsentens anbefalinger, snakk med din arbeidsleder, eller kontakt 3M-tekniske tjenester.

- **For å redusere risiko som er forbundet med å jobbe med en helkroppssele som, om det ikke unngås, kan resultere i alvorlig personskade eller død:**
 - Inspiser innretningen før hver bruk, minst én gang årlig, og etter enhver fallhendelse. Inspiser i samsvar med bruksanvisningene.
 - Hvis inspeksjonen avdekker en defekt eller utrygg tilstand, må innretningen umiddelbart tas ut av bruk og destrueres.
 - Enhver innretning som er blitt belastet som følge av fall eller støtkrefter, må umiddelbart tas ut av bruk og destrueres.
 - Sørg for at selen er riktig påsatt, at størrelsen passer, og at den er riktig justert.
 - Sørg for at all tilkobling av undersystemer (f.eks. festesnorer) holdes unna alle farer inkludert, men ikke begrenset til, sammenfiltrering med andre arbeidere, deg selv, bevegelig maskineri eller andre omgivende gjenstander.
 - Sørg for at fallsikringssystemer/undersystemer som er satt sammen av komponenter fremstilt av forskjellige produsenter er kompatible og oppfyller kravene i gjeldende standarder, inkludert ANSI Z359 eller andre gjeldende fallsikringsnormer, standarder eller krav. Rådfør deg alltid med en kompetent eller kvalifisert person før du bruker disse systemene.
- **For å redusere risiko som er forbundet med å arbeide i høyder som, om det ikke unngås, kan resultere i alvorlig personskade eller død:**
 - Sørg for at din helse og fysiske tilstand er slik at du trygt kan motstå alle de krefter som er forbundet med arbeid i høyde. Rådfør deg med legen din hvis du har noen spørsmål angående din evne til å bruke dette utstyret.
 - Du må aldri overskride tillatt kapasitet for ditt fallsikringsutstyr.
 - Du må aldri overskride maksimal frifallavstand for ditt fallsikringsutstyr.
 - Ikke bruk noe fallsikringsutstyr som ikke består inspeksjoner før bruk eller andre planmessige inspeksjoner, eller dersom du har bekymringer om bruken, eller om hvor egnet utstyret kan være for ditt bruksområde. Kontakt 3M Tekniske tjenester med eventuelle spørsmål.
 - Noen delsystemer og delekombinasjoner kan hindre driften av dette utstyret. Bruk kun kompatible koblinger. Kontakt 3M dersom dette utstyret blir brukt sammen med andre komponenter eller delsystemer enn de som beskrives i brukerinstruksjonene.
 - Utvis ekstra forsiktighet når du arbeider rundt bevegelige maskinerer (f.eks. rotasjonssystem for oljerigger), elektriske farer, ekstreme temperaturer, kjemiske farer, eksplosive eller giftige gasser, skarpe kanter eller i underkant av overhengende materialer som kan falle ned på deg eller ditt fallsikringsutstyr.
 - Bruk lysbueflamme eller Hot Works-innretninger når du arbeider i miljøer med høy varme.
 - Unngå overflater og gjenstander som kan skade brukeren eller utstyret.
 - Sørg for at det er tilstrekkelig fallklaring når du arbeider i høyde.
 - Du må aldri modifisere eller endre på ditt fallsikringsutstyr. Bare 3M eller virksomheter med skriftlig godkjennelse fra 3M kan reparere dette utstyret.
 - Før bruk av fallsikringsutstyr, pass på at det finnes en redningsplan som muliggjør rask redning hvis et falluhell skulle inntreffe.
 - Hvis et falluhell inntreffer, søk umiddelbar medisinsk hjelp for den arbeideren som har falt.
 - Ikke bruk støttebelter til fallstoppbruk. Bruk kun en helkroppssele.
 - Minimer svingfall ved å arbeide så direkte under forankringspunktet som mulig.
 - Hvis innretningen brukes til opplæring, må et sekundært fallsikringssystem benyttes på en slik måte at det ikke utsetter lærlingen for en utilsiktet fallfare.
 - Ha alltid hensiktsmessig personlig verneutstyr på når du installerer, bruker eller inspiserer innretningen/systemet.

Før du bruker dette utstyret, bør du notere deg produktidentifikasjonen fra ID-merket i inspeksjons- og vedlikeholdsloggen på baksiden av denne veiledningen.

Forsikre deg alltid om at du bruker den siste revisjonen av 3M-brukerveiledningen. Gå til 3M-nettstedet eller kontakt 3Ms tekniske tjenester for oppdaterte brukerveiledninger.

BESKRIVELSE

Figur 1 definerer tilgjengelige 3M™ Protecta® helkroppsselemodeller. Selemodeller er tilgjengelige med ulike kombinasjoner av følgende funksjoner:

	Figur 1 Referanse:	Beskrivelse:
Størrelser	S, M/L, XL	Small, Medium/Large, Extra Large
	Ⓑ	Belte Størrelse i cm
Festelementer	①	Dorsal D-ring
	②	Sternal D-ring
	③	Hofte D-ringer
	④	Skulderfeste
Spenner	⑤	Hurtigkoblingsspenner
	⑥	Gjennomslagsspenner
Justeringer	⑦	Torsojusteringer for fallskjerm
Puter	⑧	Reim og hoftepute
	⑨	Benpute
Tilleggsfunksjoner	⑩	Bortbrytnings-lineholdere med automatisk tilbakestilling
	⑪	Vevendeadministrasjon - Se figur 11
	⑫	Redningsbelte
	⑬	Instrumentsløyfe

SPESIFIKASJONER

Yteevne:	
Maksimal stoppekraft:	6 kN (1 349 lbf)
Kapasitet:	140 kg (310 lb.)
Driftstemperatur:	Minimum: -35 °C (-31 °F) Maksimum: +57 °C (135 °F)

Materialer:	
Stropper	Polyester - 22 kN (4 946 lbf) strekkstyrke
Putetrek	Blanding av nylon og polyester
Etikett trekk	Blanding av nylon og polyester
Tråd	Polyestertråd på polyesterveving
D-ring	Stållegering - 22 kN (4 946 lbf) strekkstyrke
Hurtigkoblingsspenner	Stål, rustfritt stål og stållegering - 18 kN (4 047 lbf) strekkstyrke
Gjennomslagsspenner	Stållegering - 18 kN (4 047 lbf) strekkstyrke
Torsojusteringer for fallskjerm	Stållegering - 18 kN (4 047 lbf) strekkstyrke

1.0 BRUKSOMRÅDER

1.1 FORMÅL: Helkroppsseler skal brukes som komponenter i et personlig fallsikringsystem som er designet til å forhindre et fall eller sikkert stanse et fall (se figur 2). Helkroppsseler brukes på de følgende bruksområdene:

(A)	Fallstans (EN360, EN361, EN355): Personlig fallstanssystem som typisk inkluderer en helkroppssеле og et tilkoblingsdelsystem (energiabsorberende line, selvinntrekkende enhet osv.). Maksimal stoppekraft må ikke overskride 6 kN (1 349 lbf). <i>Forankringsstyrke:</i> Valgt forankring må tåle belastninger på 12 kN (2 698 lbf) eller mer.
(B)	Arbeidsposisjon (EN358, EN813): Arbeidsposisjoneringssystemer inkluderer vanligvis en helkroppssеле, posisjonsline og et reserve personlig fallsikringsystem. For arbeidsposisjonering, koble arbeidsposisjoneringssystemet (for eksempel line, Y-line osv.) til nedre (hoftenivå) side eller beltemontert arbeidsposisjonsfesteforankringselementer (D-ringer). Bruk aldri disse tilkoblingspunktene til fallsikring. <i>Festelementer:</i> Front, hofte. <i>Forankringsstyrke:</i> Valgt forankring må tåle belastninger på 12 kN (2 698 lbf) eller mer.
(C)	Klatring (EN353-1): Helkroppsselen brukes som en komponent i et klatresystem for å forhindre brukeren i å falle ved klatring på en stige eller annen klatrestruktur. Klatresystemer inkluderer vanligvis en helkroppssеле, vertikal kabel eller skinne festet til strukturen og klatrehylsen. For stigeclatringssystemer kan seler som er utstyrt med en D-ring foran og i sternal plassering, brukes til all fallsikring på faste stigeclatringssystemer. <i>Festelementer:</i> Sternal. <i>Forankringsstyrke:</i> Konstruksjonen som klatresystemet er festet til, må tåle lastene som kreves av klatresystemproduktens dokumentasjon.
(D)	Redning (EN1496, EN1497, EN1498): Helkroppsselen brukes som en komponent i et redningssystem. Redningssystemet er konfigurert avhengig av typen redning. For bruksområder med begrenset tilgang (begrenset plass), kan det brukes seler utstyrt med D-ringer på skuldrene til inngang til og utgang fra innestengte rom der arbeidsprofil er et problem. <i>Festelementer:</i> Dorsal, sternal, frontal, skulder. <i>Forankringsstyrke:</i> Valgt forankring må tåle belastninger på 12 kN (2 698 lbf) eller mer.
(E)	Kontrollert nedstigning (EN341): For bruksområder med kontrollert nedstigning kan det brukes seler utstyrt med en enkelt sternal D-ring, én eller to frontmonterte D-ringer eller et par tilkoblinger som sitter under livet (slik som en seteslynge) for tilkobling til et nedstignings- eller evakueringsystem. <i>Festelementer:</i> Dorsal, sternal, frontal. <i>Forankringsstyrke:</i> Valgt forankring må tåle belastninger på 12 kN (2 698 lbf) eller mer.
(F)	Sikring (EN354): Helkroppsselen brukes som en komponent i et sikringsystem for å forhindre brukeren i å nå en fallfare. Sikringsystemer inkluderer vanligvis en helkroppssеле og en line eller sikringsline. <i>Festelementer:</i> Dorsal, sternal, frontal, hofte. <i>Forankringsstyrke:</i> Valgt forankring må tåle belastninger minst 18 kN (4 047 lbf) når lanyards innbefatter tekstilmaterialer eller tekstil lanyard-elementer, f.eks. syntetiske fibertau eller bånd brukes. Når lanyards laget av metalliske elementer er brukt, må forankring opprettholde belastninger på minst 12 kN (2 698 lbf).

1.2 STANDARDER: Seler som er inkludert i denne håndboken er i samsvar med standarden(e) som er identifisert på frontomslaget til denne anvisningen. Hvis dette produktet selges utenfor det opprinnelige destinasjonslandet, må forhandleren stille disse instruksjonene til rådighet på språket i det aktuelle landet der produktet vil bli brukt.

1.3 OPPLÆRING: Brukeren og kjøperen av dette utstyret har ansvar for å gjøre seg kjent med disse anvisningene, få opplæring i riktig pleie og bruk av dette utstyret og være klar over bruksegenskaper, bruksbegrensninger og følgene av uriktig bruk av dette utstyret.

1.4 BEGRENSNINGER: Følgende bruksbegrensninger må tas i betraktning før dette utstyret brukes:

- **KAPASITET:** Helkroppsselen er utformet til bruk av personer med en kombinert vekt (klær, verktøy, osv.) på ikke mer enn 140 kg (309 lb.). Sørg for at alle komponentene i systemet er godkjent for en kapasitet som er egnet for bruksområdet.
- **FRITT FALL:** Et fall arrestasjonssystem skal inneholde energiabsorberende elementer eller funksjoner for å sikre at støtkeften på brukerens kropp under anholdelsen av et fritt fall er begrenset til maksimalt 6 kN (1 349 lbf). Sikringsystemene må rigges slik at det ikke er mulig med noe vertikalt fritt fall. Arbeidsposisjoneringssystemer må rigges for å begrense et fritt fall til 60 cm (24 in.) eller mindre. Personalkjøringssystemer må rigges slik at det ikke er mulig med noe vertikalt fritt fall. Redningssystemene må rigges slik at det ikke er mulig med noe vertikalt fritt fall. Se instruksjonen fra produsenten av delsystemet for mer informasjon.
- **FALLKLARING:** Figur 3 viser komponentene i en fallsikring. Det må være tilstrekkelig klaring under brukeren til å stanse et fall før brukeren treffer bakken eller en annen hindring. Klaringen påvirkes av flere faktorer, inkludert: (A) Linelengde, (B) lineretardasjonsavstand eller SRD maksimum stoppeavstand, (C) selestrekkning og D-ring/koblingslengde og synking (vanligvis en sikkerhetsfaktor på 0,5 m (1,6 ft.)). Se instruksjonene som følger med linen eller den selvinntrekkende enheten for detaljer om fallklaringsberegning.
- **SVINGFALL:** Svingfall oppstår når forankringspunktet ikke er rett over stedet der fallet finner sted (se figur 4). Kraften som oppstår hvis man støter mot en gjenstand, kan medføre alvorlig skade eller død. Minimer svingfall ved å arbeide så rett under forankringspunktet som mulig. Ikke gjør svingfall mulig hvis skade kan oppstå. Svingfall øker vesentlig klaringen som kreves når en automatisk tilbaketrekkelig enhet eller annet tilkoblings-delsystem med variabel lengde brukes.
- **LANGVARIG HENGENDE ARBEID OG HENGETRAUME:** En helkroppssеле er ikke beregnet på bruksområder hvor brukeren skal utføre hengende arbeid over lengre tid. Langvarig hengende arbeid kan forårsake hengetraume. Hvis brukeren skal utføre hengende arbeid over lengre tid, anbefales det å bruke en slags form for setestøtte. 3M anbefaler et setebrett, hengende arbeidssete, seteslynge eller en båtsmannsstol. Ta kontakt med 3M hvis du ønsker mer informasjon om disse gjenstandene.
- **MILJØFARER:** Bruk av dette utstyret i risikable arbeidsmiljøer kan kreve at det benyttes tilleggssikring for å unngå skade på bruker eller utstyr. Farer kan omfatte, men er ikke begrenset til, varme, kjemikalier, korroderende omgivelser, høyspentlinjer, gasser, maskineri i bevegelse og skarpe kanter.
- **SELER FOR MILJØER MED HØY TEMPERATUR:** Seler med Kevlar-netting er designet til bruk i miljøer med høy temperatur, med begrensninger: Kevlar-netting begynner å forkalles ved 425 - 480 °C (800 - 900 °F). Kevlar-netting kan motstå en begrenset kontaktsponering med temperaturer opptil 535 °C (1 000 °F). Polyesternetting mister sin styrke ved 145 - 200 °C (300 - 400 °F). PVC-belegg på maskinvare har et smeltepunkt på omtrent 175 °C (350 °F).

Selv om PVC-belagt og sinkbelagt maskinvare utviser utmerket korrosjonsmotstand i kjemiske, sure, alkaliske og atmosfæriske forhold, kan det være nødvendig med hyppige inspeksjoner. Forhør deg med 3M hvis du har spørsmål om bruk av dette utstyret i farlige miljøer.

2.0 SYSTEMBRUK

2.1 REDNINGSPLAN: Når dette utstyret brukes og undersystemer kobles sammen, må arbeidsgiveren ha en redningsplan og redningsutstyr tilgjengelig, og denne må kommuniseres til brukere¹, autoriserte personer² og redningsmannskaper³.

2.2 INSPEKSJONSINTERVALLER: Helkroppsselen skal kontrolleres av brukeren før og etter hver bruk, og av en kompetent person⁴ annen enn brukeren, i intervaller på ikke lenger enn ett år⁵. Prosedyrene for inspeksjon beskrives i *brukerhåndbokens "Inspeksjons- og vedlikeholdslogg"*. Resultatene fra hver inspeksjon utført av en kompetent person må registreres på kopier av *"Inspeksjons- og vedlikeholdslogg"* eller registreres med RFID-systemet (se *"Inspeksjon"*).

Der det kreves av 3M på grunn av kompleksitet eller innovasjon av utstyret, eller der kritisk kunnskap er nødvendig for demontering, remontering eller vurdering av utstyret, skal periodiske undersøkelser kun gjennomføres av 3M eller personer eller organisasjoner som er autorisert av 3M.

2.3 KOMPONENTKOMPATIBILITET: Utstyr fra 3M er kun laget for bruk sammen med komponenter og delsystemer fra 3M. Utskifting eller erstatning med ikke-godkjente komponenter og delsystemer kan påvirke utstyrets kompatibilitet, som kan gå ut over sikkerheten og påliteligheten til hele systemet.

2.4 KOBLINGSKOMPATIBILITET: Koblinger anses å være kompatible med koblingselementene når de er konstruert for å virke sammen på en slik måte at størrelse og form ikke får lukkemekanismene til å åpnes utilsiktet, uansett hvordan de posisjoneres. Kontakt 3M hvis du har spørsmål om kompatibilitet. Koblingene (kroker, karabinkroker og D-ringer) må være i stand til å tåle minst 22 kN (4 946 lbf). Koblingene må være kompatible med forankringen og andre systemkomponenter. Ikke bruk utstyr som ikke er kompatibelt. Ikke-kompatible koblinger kan løsne utilsiktet (se fig. 5). Påse at koblingene er kompatible når det gjelder størrelse, form og styrke. Hvis koblingselementet som en sikkerhetskrok eller karabinkrok festes til, er for lite eller har en ujevn form, kan det oppstå en situasjon der koblingselementet øver kraft på sikkerhets- eller karabinkrokens port. Denne kraften kan gjøre at festet åpnes, og dermed kan sikkerhetskroken eller karabinkroken løsne fra tilkoblingspunktet. Selvlåsende låsekroker og karabinkroker må brukes.

2.5 FORETA KOBLINGER: Kun selvlåsende låsekroker og karabinkroker skal brukes med dette utstyret. Bruk kun koblingselementer som er egnet for hver bruk. Påse at koblingene er kompatible i forhold til størrelse, form og styrke. Ikke bruk utstyr som ikke er kompatibelt. Påse at alle koblinger er fullstendig lukket og låst.

3M-koblinger (kroker og karabinkroker) er kun beregnet til bruk slik det er spesifisert i produktets brukerveiledning. Se figur 6 for eksempler på feilaktige koblinger. 3M sikkerhetskroker og karabinkroker skal ikke tilkobles:

- A. Til en D-ring hvor det er en annen kobling tilfestet.
- B. på en måte som vil føre til belastning på porten.
- C. I et falskt feste, hvor elementer som stikker ut fra låsekroken eller karabinkroken tar tak i ankeret, og hvor manglende visuell bekreftelse gjør at det virker som om kroken er korrekt festet i forankringspunktet.
- D. Til hverandre.
- E. Direkte til et nett eller en tauline for festing (med mindre produsentens anvisninger tillater dette for både linen og koblingen spesifikt).
- F. Til et objekt som er formet eller dimensjonert slik at låsekroken eller karabinkroken ikke vil lukke og låse seg, eller hvor utrulling kan forekomme.
- G. På en måte som gjør at koblingen ikke er korrekt innrettet under belastning.

2.6 TILKOBLING AV DELSYSTEMER: Tilkobling av delsystemer (selvinttrekkende livline, line, taugrep og livline, kabelhylse osv.) må være egnet for applikasjonen (se avsnitt 1.1). Se instruksjonen fra produsenten av delsystemet for mer informasjon. Noen selemodeller har nettingsløyfetilkoblingspunkter. Ikke bruk sikkerhetskroker til å koble til nettingsløyfer. Bruk en selvlåsende karabinkrok for å koble til en nettingsløyfe. Se til at karabinkroken ikke kan kryssbelastes (belastning mot åpningen i stedet for langs den større aksen til karabinkroken). Noen liner er designet til å strupe på en nettingsløyfe for å gi en kompatibel tilkobling. Liner kan sys direkte til nettingsløyfen og danne en permanent tilkobling. Ikke opprett flere tilkoblinger på én nettingsløyfe, med mindre to liner strupes på en nettingsløyfe i riktig størrelse. For å strupe linen på en nettingsløyfe (figur 7): A) Sett inn linens nettingsløyfe gjennom nettingsløyfen eller D-ringen på selen. B) Sett inn riktig ende av linen gjennom linens nettingsløyfe. C) Trekk linen gjennom tilkoblingsnettingsløyfen for å feste den.

2.7 LINEPARKERING: Figur 8 illustrerer lineparkering. Lineparkering er for å feste den frie enden av en line eller selemontert selvinttrekkende enhet når den ikke er koblet til et forankringstilkoblingspunkt for formål knyttet til fallvern. Lineparkeringsfestene må aldri brukes som fallvernsfestelementer på sele for tilkobling av en line eller selvinttrekkende enhet (A).

Hvis ikke tilkoblet et forankringstilkoblingspunkt, må et ikke-tilkoblet lineben være riktig parkert på selen (B) eller festet i brukerens hånd som i 100 % festebudsomsråder (Tie-Off) (C). Fritthengende linebein (D) kan utløse brukeren eller festes til omgivende gjenstander og føre til fall.

1 Bruker: En person som utfører aktiviteter i høyden mens han er beskyttet av et personlig fallvernsystem.

2 Autorisert person: En person som er utnevnt av arbeidsgiver til å utføre oppgaver på stedet hvor personen vil være utsatt for fallrisiko.

3 Bergingsarbeider: En annen person eller andre personer enn den bergede som utfører en assistert bergingsoperasjon ved bruk av et bergingsystem.

4 Kompetent person: En som er i stand til å identifisere eksisterende og mulige farer i omgivelsene eller arbeidsforhold som er uhygieniske, risikable eller farlige for ansatte, og som har autoritet til å utbedre eller eliminere dem.

5 Inspeksjonsintervaller: Ekstreme arbeidsforhold (vanskelige omgivelser, langvarig bruk osv.) kan gjøre det nødvendig med hyppigere inspeksjoner utført av en kompetent person.

3.0 BRUK AV SELER

3.1 FØR HVER BRUK av dette utstyret må det inspiseres i henhold til "Inspeksjons- og vedlikeholdslogg" (tabell 1).

3.2 PLANLEGG systemet før bruk. Vurder alle faktorer som vil påvirke sikkerheten under bruk av utstyret. Den følgende listen gir deg viktige punkter som du må ta til vurdering når du planlegger systemet ditt:

- **Forankring:** Velg en forankring som er i stand til å tåle de statiske belastningskravene til den tiltenkte fallvernsapplikasjonen (se avsnitt 1.1). Forankringsplasseringen skal håndtere fritt fall, fallklaring, svingfall og miljøbegrensninger som er beskrevet i avsnitt 1.4.
- **Skarpe kanter:** Unngå arbeid på steder der systemkomponenter kan komme i kontakt med eller skrape mot ubeskyttede skarpe kanter.
- **Etter et fall:** Komponenter som er blitt utsatt for kreftene ved å stanse et fall, må fjernes fra bruk umiddelbart og destrueres.
- **Berging:** Arbeidsgiver må ha en redningsplan for bruk av dette utstyret. Arbeidsgiveren må kunne gjennomføre en rask og sikker redning.
- **Redningssele:** Redningssele (NS-EN 1497) er beregnet på bruk under utførelse av vanlige arbeidsoppgaver. Før bruk av en redningssele for første gang, bør brukeren utføre en hengttest på et sikkert sted for å forsikre seg om at selen har riktig størrelse og er tilpasset for optimal komfort under hengingen.
- **Arbeidsposisjonering:** Vurder alltid behovet for et personlig fallsikringssystem når du bruker et arbeidsposisjoneringssystem. Bruk alltid et ankerpunkt plassert på eller over midjenivået.

3.3 SPENNER: Helkroppsseler er utstyrt med ulike spenner for å feste og justere beinreimer og brystreimer. Selekropsreimer har en tungespenne. Se figur 1 for spennetyperne på selen. Figur 9 illustrerer bruk av hver av de følgende spennene:

1. Hurtigkoblingsspenner:

- A. For å feste hurtigkoblingsspennen, sett tappen inn i mottakeren til det høres et klikk.
- B. For å justere påfestet vevreim: Trekk vevreimen fremover eller bakover gjennom spenneåpningen for å stramme til eller løsne.
- C. For å friggi hurtigkoblingsspennen: Klem låsespakene på hver side av mottakeren. Trekk tappen ut av mottakeren.

2. Gjennomslagsspenner:

- A. Sett inn hannspennen gjennom åpningen i hunnspennen.
- B. Stram den frie reimen, slik at hannspennen er i flukt med hunnspennen. Sikre den frie reimen i reimholderen.

3.4 JUSTERINGER: Seler er utstyrt med et par torsojusteringer for justering av skulderreimene. Figur 10 illustrerer justeringen av torsojusteringene:

1. Torsojusteringer for fallskjerm:

- A. Trekk i den frie reimen for å stramme til skulderreimen. For å løsne skulderreimen, trekk i den frie reimen og før deretter reimen tilbake gjennom fallskjermjusteringen.
- B. Når den er riktig justert, sikre den frie reimen i reimholderen.

Hvis borrelåshåndteringen (se figur 11) er til stede, ruller du den frie båndstroppen til den er tett (A), skjøter borrelåsbåndene tilbake over stroppen og fest stripene (B). Forsikre deg om at rullen er tett og at stroppholderen er forskjøvet nær rullen (C).

3.5 IFØRING OG TILPASNING AV HELKROPPSSELEN: Figur 13 illustrerer iføring og tilpasning av den helkroppsselen. Før hver bruk skal selen inspiseres i henhold til sjekklisten i "Inspeksjons- og vedlikeholdslogg" (tabell 1). For å ta på og tilpasse selen:

Prosedyrer for spenning og justering av reimene på selen vil variere med selemodellen. Se avsnitt 3.3 til og med 3.4 og figur 9 til og med 10 for detaljer.

1. Løft opp og hold selen etter baksidens dorsale D-ring. Kontroller at stroppene ikke er vridde.
2. Ta tak i skulderstroppene og tre selen over den ene armen. Den dorsale D-ringen skal være bak. Kontroller at stroppene ikke er viklet sammen og at de henger fritt. Før den ledige armen inn i selen og plasser skulderstroppene oppå skuldrene. Bryststroppen og brystspennen vil være plassert foran når riktig påført.
3. Ta tak i benstroppen mellom beina på høyre side. Bring reimen opp mellom beina, spenn fast til den tilhørende spennen på høyre hofte, og juster beinreimen for en tettsittende, komfortabel tilpasning (se avsnitt 3.3 for spennebetjening). Når den er riktig justert, sikre den frie enden av beinreimen under reimholderen.
Gjenta denne prosessen for å spenne fast og justere venstre beinreim.
4. Juster og spenn fast tungespennen på livbeltet hvis det finnes. (se avsnitt 3.3 for tungespennebetjening).
5. Spenn fast og juster brystreimen (se avsnitt 3.3 for spennebetjening). Bryststroppen skal være 15 cm (6 in) nedenfor toppen av skuldrene. Når den er riktig justert, sikre den frie enden av brystreimen under reimholderen.
6. Juster skulderreimene for tettsittende justering med torsojusteringene (se avsnitt 3.4 for torsojusteringsbetjening). Høyre og venstre sider av skulderstroppene skal justeres til samme lengde, og bryststroppen skal være sentrert på nedre del av brystet, 15 cm (6 in) nedenfor skuldrene. Den bakre dorsale D-ringen skal være sentrert mellom skulderbladene. Den fremre sternale D-ringen, hvis den finnes, skal plasseres lateralt innen 5 cm (2 in) fra den vertikale midtlinjen til selen.

Kontroller regelmessig feste- og justeringselementer under bruk

- 3.6 BRUK AV D-RING ELLER FESTELEMMENT FOR FALLSIKRING:** Ankerpunkter for Fallstans er merket med bokstav "A". For fallsikringsbruk, koble til den dorsale D-ringen eller festeelementet på ryggen, mellom skulderbladene, eller Fremre sternale D-ring vedleggselement på brystet. D-ringene på siden, hvis de finnes, er kun for posisjonering eller begrensnig. Skulderfesterer kun til rednings- eller innhentingsbruk. Fremre sternale D-ring er for stigeclatring eller posisjonering. D-ringene på et opphengssete er for opphenging eller posisjonering. (Se avsnitt 1.1.).
- 3.7 FORETA TILKOBLINGER:** Ved bruk av en krok for tilkobling til en forankring eller ved sammenkobling av systemets komponenter, påse at utrulling ikke kan forekomme. En utrulling skjer når en forstyrrelse mellom kroken og det den hektes i får krokens kjeve til å åpne og slippe. Selvlåsende kroker eller karabinkroker bør brukes for å redusere muligheten for utrulling. Ikke bruk kroker eller koplinger som ikke lukker seg helt over festegjenstanden. Se instruksjonen fra produsenten av delsystemet for mer informasjon om tilkoblinger.
- 3.8 KOBLE TIL SYSTEMKOMPONENTER:** Etter påsetting av selen, kan brukeren deretter kobles til andre systemkomponenter. Følg retningslinjene i avsnitt 2 og produsentens anvisninger som medfølger komponenten.

4.0 INSPEKSJON

- 4.1 INSPEKSJONSINTERVALLER:** Helkroppsselen må inspiseres ved de intervallene som defineres i avsnitt 2.2. Prosedyrene for inspeksjon beskrives i "Inspeksjons- og vedlikeholdslogg" (tabell 1).
- 4.2 DEFEKTER:** Hvis inspeksjonen avdekker en defekt, må selen umiddelbart tas ut av bruk og destrueres.
- 4.3 PRODUKTLEVETID:** Den funksjonelle levetiden for seler avhenger av arbeidstilstander og vedlikehold. Maksimal levetid kan variere fra 1 år ved intensiv bruk under ekstreme forhold til 10 år ved lett bruk under lette forhold. Så lenge produktet oppfyller inspeksjonskriteriene, kan det brukes opp til maksimalt 10 år.

5.0 VEDLIKEHOLD, SERVICE, OPPBEVARING

Ikke rengjør eller desinfiser produktet på annen måte enn beskrevet i de følgende rengjøringsinstruksjonene. Andre metoder kan ha negative effekter på produktet eller brukeren.

- 5.1 RENGJØRING:** Hele 3M-kroppsseler må rengjøres i samsvar med 3M-instruksjoner. Selen skal rengjøres ved å vaske den med et mildt, blekemiddelfritt vaskemiddel, og deretter skylles. Etter vask skal selen henges opp og lufttørkes. Vann som brukes til rengjøring, og temperaturer som brukes til lufttørring, må aldri overstige 54,4 °C (130 °F). Hvis du vil ha mer informasjon, kan du gå til den tekniske meldingen på nettstedet vårt: <http://www.3M.com/FallProtection/WebCleaning>


Hvis du har spørsmål om rengjøringsprosedyrer, kan du kontakte 3Ms tekniske tjenester.

- 5.2 SERVICE:** Helkroppsseler kan ikke repareres. Hvis en sele har vært utsatt for fallkrefter eller en inspeksjon avdekker en usikker eller defekt tilstand, må den umiddelbart tas ut av bruk og destrueres.
- 5.3 OPPBEVARING OG TRANSPORT:** Oppbevar og transporter den helkroppsselen i kjølig, tørt, rent miljø utenfor direkte sollys. Unngå områder der det kan finnes gasser fra kjemikalier. Foreta en fullstendig inspeksjon av selen etter langvarig oppbevaring.

6.0 MERKING

Figur 14 illustrerer produktetiketter og plassering av disse på helkroppsselen. Alle etiketter må være til stede og fullt ut leselige.

Informasjonen på hver etikett er som følger:

1	(A) Ankerpunkt for fallstans, merket med bokstav "A" (B) Etikettsted
2	(A) Inspeksjonslogg (B) Serienummer (C) Initial (D) Dato (E) Ikke fjern denne etiketten.
3	(A) Brukerinformasjonsetikett
4	(A) Serienummer (B) Produksjonsmåned (C) Produksjonsår (D) Batchnummer (E) Modellnummer (F) Europeisk standard (G) Kapasitet (H) Størrelse (I)  Se anvisninger (J) CE-merket (K) Nummer på teknisk kontrollorgan som utfører typesamsvar (L) Beltestørrelse

Przed użyciem szelek na całe ciało (Full Body Harness) należy zapoznać się ze zrozumieniem i przestrzegać wszystkich informacji dotyczących bezpieczeństwa zawartych w niniejszej instrukcji. ZIGNOROWANIE TEGO WYMAGANIA MOŻE SKUTKOWAĆ POWAŻNYMI URAZAMI CIAŁA LUB ŚMIERCIA.

Te instrukcje muszą być udostępnione użytkownikowi tego urządzenia. Instrukcje należy zachować do wykorzystania w przyszłości.

Przeznaczenie:

Szelki na całe ciało powinny być stosowane jako część kompletnego systemu ochrony osób przed upadkiem.

Wykorzystanie urządzenia w jakimkolwiek innym celu, m.in. w celach rekreacyjnych, do przenoszenia ładunków lub podczas uprawiania sportu oraz we wszelkich innych celach nieopisanych w instrukcji użytkownika, nie jest zatwierdzone przez 3M i może skutkować poważnymi urazami ciała lub śmiercią.

To urządzenie może być wykorzystywane wyłącznie przez przeszkolonych użytkowników w miejscu pracy.

OSTRZEŻENIE

Szelki na całe ciało stanowią część kompletnego systemu ochrony osób przed upadkiem. Oczekujemy, że wszyscy użytkownicy zostaną w pełni przeszkoleni w zakresie bezpiecznej instalacji i obsługi systemu ochrony przed upadkiem. **Nieprawidłowe użytkowanie tego urządzenia może prowadzić do poważnych urazów ciała lub śmierci.** Aby zapewnić prawidłowy dobór, obsługę, instalację, konserwację i serwis urządzenia, należy zapoznać się z niniejszą instrukcją użytkownika oraz wszystkimi zaleceniami producenta, skontaktować się z przełożonym lub skontaktować się z serwisem technicznym firmy 3M.

- **Aby ograniczyć ryzyko związane z pracą z szelkami na całe ciało, które może skutkować poważnymi urazami ciała lub śmiercią:**
 - Należy sprawdzić sprzęt przed każdym użyciem, co najmniej raz w roku oraz po każdym zatrzymaniu upadku przez urządzenie. Przeglądy muszą odbywać się zgodnie z instrukcją użytkownika.
 - Jeżeli kontrola wykaże niebezpieczny lub wadliwy stan, należy wycofać urządzenie z eksploatacji i zutylizować je.
 - Każde urządzenie, które zostało użyte do zabezpieczenia przed upadkiem bądź zostało poddane działaniu dużych sił, musi zostać natychmiast wycofane z eksploatacji i zutylizowane.
 - Upewnij się, że szelki są założone prawidłowo, mają właściwy rozmiar i są odpowiednio dopasowane.
 - Upewnij się, że wszystkie podsystemy łączące (np. linki bezpieczeństwa) są zabezpieczone przed wszelkimi zagrożeniami, w tym między innymi przed zaplątaniem się oraz zaplątaniem innych pracowników, poruszających się maszyn lub innych otaczających obiektów.
 - Należy upewnić się, że systemy ochrony przed upadkiem/podsystemy, złożone z komponentów pochodzących od różnych producentów, są kompatybilne i spełniają wymagania obowiązujących norm, w tym normy ANSI Z359 lub innych obowiązujących przepisów, norm i wymagań dotyczących ochrony przed upadkiem. Przed użyciem tych systemów należy zawsze skonsultować się z Kompetentną lub Wykwalifikowaną osobą.
- **Aby ograniczyć ryzyko związane z pracą na wysokości, które może skutkować poważnymi urazami ciała lub śmiercią:**
 - Należy upewnić się, że warunki fizyczne i zdrowotne pracownika umożliwiają bezpieczne znoszenie wszelkich sił oddziałujących w przypadku pracy na wysokości. W przypadku pytań dotyczących korzystania z tego sprzętu należy skonsultować się z lekarzem.
 - Nigdy nie wolno przekraczać dopuszczalnego udźwigu sprzętu zabezpieczającego.
 - Nigdy nie wolno przekraczać maksymalnego dystansu swobodnego upadku danego sprzętu zabezpieczającego.
 - Nie wolno używać sprzętu chroniącego przed upadkiem, który nie przeszedł pomyślnie kontroli okresowej lub przed oddaniem go do użytku albo jeśli użytkownik ma wątpliwości dotyczące korzystania lub przydatności sprzętu w danej aplikacji. W razie pytań należy kontaktować się z działem pomocy technicznej firmy 3M.
 - Niektóre połączenia podsystemów i elementów mogą niekorzystnie wpływać na działanie tego sprzętu. Stosować wyłącznie zgodnie rodzaje połączeń. Przed zastosowaniem tego sprzętu w połączeniu z komponentami lub podsystemami innymi niż opisane w instrukcji użytkownika należy skonsultować się z firmą 3M.
 - Stosuj zwiększone środki ostrożności podczas pracy w pobliżu ruchomego sprzętu (np. górnych napędów wiertnic), źródeł zagrożeń elektrycznych, skrajnych temperatur, zagrożeń chemicznych, zagrożenia wybuchem oraz toksycznych gazów, ostrych krawędzi oraz pod obiektami znajdującymi się nad użytkownikiem, które mogą spaść na użytkownika lub na sprzęt zabezpieczający przed upadkiem.
 - W przypadku wykonywania prac w miejscach, w których występują wysokie temperatury, należy używać urządzeń z łukiem elektrycznym lub do prac gorących.
 - Należy unikać powierzchni i obiektów, które mogą spowodować urazy ciała użytkownika lub uszkodzenie sprzętu.
 - Należy zapewnić wystarczającą wolną przestrzeń podczas upadku w przypadku prowadzenia prac na wysokościach.
 - Nigdy nie wolno modyfikować ani przerabiać sprzętu zabezpieczającego przed upadkiem. Sprzęt może być naprawiany tylko przez firmę 3M lub podmioty upoważnione przez nią na piśmie.
 - Przed użyciem sprzętu zabezpieczającego przed upadkiem należy upewnić się, że obowiązują odpowiednie procedury ratownicze zapewniające podjęcie niezwłocznych działań ratowniczych w razie upadku.
 - Jeśli dojdzie do upadku, osobie poszkodowanej należy natychmiast zapewnić pomoc medyczną.
 - W przypadku zastosowań związanych z zabezpieczeniem przed upadkiem nie stosować pasów na całe ciało. Należy wyłącznie używać szelek bezpieczeństwa na całe ciało.
 - Należy minimalizować zagrożenie upadku wahadłowego, pracując tak blisko punktu kotwiczącego, jak to możliwe.
 - Podczas czynności szkoleniowych związanych z tym urządzeniem konieczne jest stosowanie pomocniczego systemu zabezpieczającego przed upadkiem, tak aby nie narazić szkolonego pracownika na ryzyko upadku.
 - Zawsze należy nosić odpowiedni sprzęt ochrony osobistej podczas instalowania, użytkowania lub przeprowadzania inspekcji urządzenia/systemu.

Przed przystąpieniem do użytkowania urządzenia należy odczytać informacje identyfikacyjne produktu z etykiety identyfikacyjnej i zapisać je w „Dzienniku kontroli i konserwacji” zamieszczonym na końcu niniejszej instrukcji.

Należy zawsze upewnić się, by korzystać z najnowszej wersji instrukcji obsługi firmy 3M. Zaktualizowane instrukcje obsługi można uzyskać na stronie internetowej firmy 3M lub kontaktując się z działem technicznym firmy 3M.

OPIS

Rysunek 1 przedstawia dostępne modele pełnych szelek bezpieczeństwa 3M™ Protecta®. Szelki bezpieczeństwa są dostępne w różnych kombinacjach następujących funkcji:

	Rysunek 1 dotyczy następujących elementów:	Opis:
Rozmiary	S, M/L, XL	Small (mały), Medium (średni) / Large (duży), Extra Large (bardzo duży)
	Ⓑ	Rozmiar paska w cm
Elementy mocowania	①	Grzbietowa klamra zaczepowa typu D
	②	Mostkowa klamra zaczepowa typu D
	③	Biodrowe klamry zaczepowe typu D
	④	Mocowanie ramienne
Klamry	⑤	Klamry Quick Connect
	⑥	Klamry przelotowe
Regulatory	⑦	Spadochronowe regulatory tułowia
Poduszki	⑧	Pas i poduszka biodrowa
	⑨	Poduszka na nogi
Dodatkowe funkcje	⑩	Elementy mocujące z automatycznym powrotem podczas przepinania
	⑪	Obsługa końcówek pasków - Patrz rysunek 11.
	⑫	Pas ratunkowy
	⑬	Pętla instrumentu

SPECYFIKACJA

Skuteczność działania:	
Maksymalna siła zatrzymująca:	6 kN (1 349 lbf)
Udźwig:	140 kg (310 lb.)
Temperatura robocza:	Minimum: -35 °C (-31 °F) Maksimum: +57 °C (135 °F)

Materiały:	
Taśma	poliester — wytrzymałość na rozciąganie 22 kN (4 946 lbf)
Oslony poduszek	nylon z poliestrem
Etykiety	nylon z poliestrem
Nici	nici i taśmy poliestrowe
Klamry typu D	Stal stopowa - wytrzymałość na rozciąganie 22 kN (4 946 lbf)
Klamry Quick Connect	Stal, stal nierdzewna i stal stopowa — wytrzymałość na rozciąganie 18 kN (4 047 lbf)
Klamry przelotowe	Stal stopowa - wytrzymałość na rozciąganie 18 kN (4 047 lbf)
Spadochronowe regulatory tułowia	Stal stopowa - wytrzymałość na rozciąganie 18 kN (4 047 lbf)

1.0 ZASTOSOWANIA

1.1 CEL: Pełne szelki bezpieczeństwa należy stosować jako elementy osobistego systemu ochrony przed upadkiem w celu zapobiegania lub zabezpieczenia przed upadkiem (patrz rysunek 2). Pełne szelki bezpieczeństwa mają następujące zastosowania:

(A)	Zabezpieczenie przed upadkiem (EN360, EN361, EN355): osobiste systemy zabezpieczenia przed upadkiem zwykle składają się z pełnych szelek bezpieczeństwa i podsystemu łączącego (amortyzującej linki bezpieczeństwa, urządzenia samohamownego itp.). Maksymalna siła zatrzymująca nie może przekraczać 6 kN (1 349 lbf). <i>Wytrzymałość punktu kotwiczącego:</i> wybrany punkt kotwiczący powinien mieć wytrzymałość co najmniej 12 kN (2 698 lbf).
(B)	Ustawianie pozycji podczas pracy (EN358, EN813): systemy ustawiania pozycji podczas pracy zwykle składają się z pełnych szelek bezpieczeństwa, pozycjonującej linki bezpieczeństwa oraz osobistego systemu zabezpieczenia przed upadkiem. W zastosowaniach wymagających ustawiania pozycji podczas pracy należy połączyć podsystem ustawiania pozycji podczas pracy (na przykład linkę bezpieczeństwa, rozgałęzioną linkę bezpieczeństwa itp.) z dolną (biodrową) częścią szelek lub punktami kotwiczącymi mocowanymi na pasie (klamrami typu D). Nigdy nie należy stosować tych punktów zaczepienia do zabezpieczenia przed upadkiem. <i>Elementy mocowania:</i> przednie, biodrowe. <i>Wytrzymałość punktu kotwiczącego:</i> wybrany punkt kotwiczący powinien mieć wytrzymałość co najmniej 12 kN (2 698 lbf).
(C)	Wchodzenie po drabinie (EN353-1): pełne szelki bezpieczeństwa należy stosować jako element systemu zabezpieczającego wchodzenie i chroni użytkownika przed upadkiem z drabiny lub innej konstrukcji. Systemy zabezpieczające wchodzenie zwykle składają się z pełnych szelek bezpieczeństwa, pionowej liny lub prowadnicy połączonej z konstrukcją oraz zaczepu do wchodzenia. W stałych systemach zabezpieczających wchodzenie po drabinie szelki bezpieczeństwa wyposażone w przednią klamrę zaczepową typu D w położeniu brzusznym mogą być stosowane do zabezpieczenia przed upadkiem. <i>Elementy mocowania:</i> brzuszne. <i>Wytrzymałość punktu kotwiczącego:</i> konstrukcja, do której ma być przymocowany system zabezpieczający wchodzenie, powinien utrzymać obciążenia przewidziane w dokumentacji producenta tego systemu zabezpieczającego.
(D)	Ratownictwo (EN1496, EN1497, EN1498): pełne szelki bezpieczeństwa są stosowane jako element systemu ratunkowego. System ratunkowy konfiguruje się w zależności od rodzaju akcji ratunkowych. W zastosowaniach o utrudnionym dostępie (ograniczonej przestrzeni), w których problem mogą stanowić wejścia i wyjścia w uprząży oraz sylwetka pracownika, można stosować szelki wyposażone w naramienne klamry typu D. <i>Elementy mocowania:</i> grzbietowe, brzuszne, przednie, naramienne. <i>Wytrzymałość punktu kotwiczącego:</i> wybrany punkt kotwiczący powinien mieć wytrzymałość co najmniej 12 kN (2 698 lbf).
(E)	Kontrolowane opuszczanie (EN341): W przypadku zastosowań z kontrolowanym opuszczaniem dołączenia z systemem opuszczania lub ewakuacji można stosować szelki bezpieczeństwa wyposażone w pojedynczą grzbietową klamrę typu D, jedną lub dwie przednie klamry typu D lub parę łączników zaczynające się poniżej wysokości talii (na przykład pętlę siedziska). <i>Elementy mocowania:</i> grzbietowe, brzuszne, przednie. <i>Wytrzymałość punktu kotwiczącego:</i> wybrane punkty kotwiczące powinny mieć wytrzymałość co najmniej 12 kN (2 698 lbf).
(F)	Ograniczenie ruchu (EN354): pełne szelki bezpieczeństwa są stosowane jako element systemu ograniczenia ruchu w celu eliminacji zagrożenia upadkiem użytkownika. Systemy ograniczenia ruchu zwykle składają się z pełnych szelek bezpieczeństwa oraz linki bezpieczeństwa lub linki ograniczającej ruch. <i>Elementy mocowania:</i> grzbietowe, brzuszne, przednie, biodrowe. <i>Wytrzymałość punktu kotwiczącego:</i> wybrany punkt kotwiczący powinien mieć wytrzymałość co najmniej 18 kN (4 047 lbf) w przypadku smyczy, w tym dowolnego materiału tekstylnego lub smyczy włókienniczych, np. stosuje się liny lub pasy z włókien syntetycznych. W przypadku zastosowania smyczy wykonanych w całości z elementów metalowych, zakotwienie musi wytrzymać obciążenie co najmniej 12 kN (2 698 lbf).

1.2 NORMY: Opisane w instrukcji szelki bezpieczeństwa spełniają wymagania norm podanych na okładce niniejszej instrukcji. Jeśli niniejszy produkt podlega odsprzedaży poza pierwotnym krajem przeznaczenia, odsprzedawca powinien dostarczyć niniejszą instrukcję w języku używanym w kraju użytkownika tego produktu.

1.3 SZKOLENIE: Użytkownik lub kupujący to urządzenie ma obowiązek upewnić się, że przeczytał i zrozumiał niniejszą instrukcję, charakterystykę działania, ograniczenia zastosowania oraz skutki niewłaściwego użycia tego urządzenia, a także został przeszkolony w zakresie właściwego użytkowania i konserwacji urządzenia.

1.4 OGRANICZENIA: Przed przystąpieniem do użytkowania tego urządzenia należy rozważyć następujące ograniczenia w zakresie zastosowania:

- **UDŹWIG:** pełne szelki bezpieczeństwa są przeznaczone do wykorzystania przez osobę o łącznej masie (z ubraniem, narzędziami itd.) nieprzekraczającej 140 kg (309 lb.). Upewnić się, że wszystkie elementy posiadanego systemu są zdolne wytrzymać obciążenie występujące w przypadku danego zastosowania.
- **UPADEK SWOBODNY:** System zabezpieczający przed upadkiem powinien zawierać elementy pochłaniające energię lub funkcje zapewniające, że siły uderzenia na ciele użytkownika podczas zatrzymania swobodnego spadania są ograniczone do maksymalnie 6 kN (1 349 lbf). Systemy ograniczenia ruchu powinny zawierać osprzęt uniemożliwiający swobodny upadek w pionie. Systemy ustawiania pozycji podczas pracy powinny zawierać osprzęt ograniczający swobodny upadek do wysokości 60 cm (24 in.) lub mniejszej. Systemy przemieszczania pracowników powinny zawierać osprzęt uniemożliwiający swobodny upadek w pionie. Systemy ratunkowe powinny zawierać osprzęt uniemożliwiający swobodny upadek w pionie. Więcej informacji na ten temat można znaleźć w instrukcji producenta podsystemu.
- **WOLNA PRZESTRZEŃ PODCZAS UPADKU:** rysunek 3 przedstawia elementy zabezpieczenia przed upadkiem. Należy zapewnić wystarczającą przestrzeń do amortyzacji upadku przed uderzeniem w powierzchnię lub inną przeszkodę. Przestrzeń ta jest uzależniona od kilku czynników, takich jak: (A) długość linki bezpieczeństwa, (B) odległości wyhamowania linki zabezpieczającej lub maksymalnej odległości zatrzymania urządzenia samohamownego, (C) długości rozciągania szelek bezpieczeństwa oraz długości i osiadania klamry typu D/łącznika (przeważnie o współczynniku bezpieczeństwa wynoszącym 0,5 m (1,6 ft.)). Szczegółowe informacje na temat obliczenia wolnej przestrzeni podczas upadku można znaleźć w instrukcji dołączonej do linki bezpieczeństwa lub urządzenia samohamownego.
- **UPADKI W WYNIKU ZAKOŁYSANIA:** upadek w wyniku zakołysania występuje wtedy, kiedy punkt kotwiczący nie jest umieszczony bezpośrednio nad miejscem, w którym doszło do upadku (patrz rysunek 4). Siła uderzenia w przedmioty w czasie upadku wahadłowego może spowodować poważne urazy ciała lub śmierć. Należy minimalizować zagrożenie upadku w wyniku zakołysania, pracując tak blisko punktu kotwiczącego, jak to możliwe. Nie dopuszczać do upadku w wyniku zakołysania, jeśli w rezultacie może dojść do urazów ciała. Upadki w wyniku zakołysania wymagają znacznego zwiększenia wolnej przestrzeni w przypadku zastosowania urządzenia samohamownego lub innego podsystemu łączącego o zmiennej długości.
- **DŁUGIE ZAWIESZENIE I SZOK ZWIĄZANY Z ZAWIESZENIEM:** pełne szelki bezpieczeństwa nie są przeznaczone do zastosowań wymagających długiego zawieszenia. Długie zawieszenie może spowodować szok związany z zawieszeniem. Jeśli użytkownik zamierza pracować przez dłuższy czas na wysokości, zaleca się zastosowanie siedziska. Firma 3M zaleca stosowanie platformy do siedzenia, siedziska roboczego, pętli siedziska lub siodełka. W celu uzyskania dodatkowych informacji na temat tych elementów należy się skontaktować z firmą 3M.
- **ZAGROŻENIA ŚRODOWISKOWE:** korzystanie z tego urządzenia w miejscach z zagrożeniami dla środowiska może wymagać dodatkowych środków ostrożności, aby zmniejszyć ryzyko zranienia użytkownika lub uszkodzenia sprzętu. Zagrożenia te to między innymi: ciepło, substancje chemiczne, czynniki korozyjne, linie energetyczne wysokiego napięcia, gazy, ruchome urządzenia oraz ostre krawędzie.

- **SZELKI BEZPIECZEŃSTWA DO ŚRODOWISK O WYSOKIEJ TEMPERATURZE:** Szelki bezpieczeństwa z taśmami z kevlaru są przeznaczone do stosowania w środowiskach o wysokiej temperaturze z następującymi ograniczeniami: taśmy z kevlaru zaczynają się zwęglać w temperaturze od 425 - 480 °C (800 - 900 °F); taśmy z kevlaru mogą być przez krótki czas wystawione na działanie temperatury do 535 °C (1 000 °F); taśmy poliestrowe tracą wytrzymałość w temperaturze od 145 - 200 °C (300 - 400 °F); temperatura topnienia powłoki osprzętu z PCW wynosi około 175 °C (350 °F).

Chociaż osprzęt z powłoką z PCW lub warstwą ocynkowaną charakteryzuje się wysoką odpornością na korozję, w warunkach wysokiego stężenia środków chemicznych, przy odczynie kwasowym lub zasadowym mogą być wymagane częste przeglądy. W przypadku pytań dotyczących sposobu użytkowania tego sprzętu w obszarach, w których występują zagrożenia środowiskowe, należy skontaktować się z firmą 3M.

2.0 KORZYSTANIE Z SYSTEMU

2.1 PLAN RATUNKOWY: Podczas wykorzystania tego urządzenia i podsystemów łączących pracodawca musi dysponować planem ratunkowym i środkami niezbędnymi do wdrożenia go i musi przekazać ten plan użytkownikom¹, osobom upoważnionym² i ratownikom³.

2.2 CZĘSTOTLIWOŚĆ PRZEGLĄDÓW: Przed każdym użyciem pełne szelki bezpieczeństwa muszą być kontrolowane przez użytkownika oraz, dodatkowo, co najmniej raz na rok przez kompetentną osobę inną niż użytkownik⁴. Procedury kontroli są opisane w *instrukcji obsługi w sekcji „Dziennik przeglądów i konserwacji”*. Wyniki każdej kontroli wykonywanej przez kompetentną osobę należy rejestrować na kopiach „Dziennika kontroli i konserwacji” lub w radiowym systemie identyfikacji (patrz sekcja „Przeгляд”).

W sytuacjach wymaganych przez firmę 3M, ze względu na złożoność lub stopień innowacyjności urządzenia, albo w przypadkach wymagających specjalistycznej wiedzy dotyczącej demontażu, ponownego montażu lub oceny urządzenia przeglądy okresowe powinny być wykonywane wyłącznie przez firmę 3M bądź osoby lub organizacje przez nią upoważnione.

2.3 KOMPATYBILNOŚĆ ELEMENTÓW: Sprzęt 3M został zaprojektowany wyłącznie do użytku z zatwierdzonymi elementami i podsystemami 3M. Zastępowanie lub wymienianie elementów lub podsystemów na takie, które nie zostały zatwierdzone, może narażać na szwank zgodność sprzętu i wpływać na bezpieczeństwo oraz niezawodność systemu jako całości.

2.4 KOMPATYBILNOŚĆ ŁĄCZNIKÓW: Łączniki są kompatybilne z elementami łączącymi, jeśli zostały zaprojektowane do współpracy z nimi w taki sposób, że ich rozmiary i kształty nie powodują niezamierzonego otwierania mechanizmu zamknięcia, bez względu na ich zorientowanie. W przypadku pytań dotyczących kompatybilności należy skontaktować się z firmą 3M. Łączniki (haki, karabińczyki i klamry typu D) muszą mieć wytrzymałość co najmniej 22 kN (4 946 lbf). Łączniki muszą być kompatybilne z zakotwiczeniem i innymi elementami systemu. Nie wolno używać niekompatybilnego sprzętu. Niekompatybilne łączniki mogą się rozłączyć w sposób niezamierzony (patrz rysunek 5). Łączniki muszą być zgodne pod względem wielkości, kształtu i wytrzymałości. Jeśli element łączący, do którego przypięty jest karabińczyk hakowy (na rysunku) lub karabińczyk o zbyt małych wymiarach lub nieregularnym kształcie, może dojść do sytuacji, gdy poprzez element łączący na zamknięcie karabińczyka hakowego lub karabińczyka działa siła. Ta siła może spowodować otwarcie zamknięcia, co umożliwi odłączenie się karabińczyka hakowego lub karabińczyka od punktu zaczepienia. Wymagane są samoblokujące się karabińczyki hakowe i karabińczyki.

2.5 ZACZEPIANIE: Z tym sprzętem można używać wyłącznie karabinków hakowych samozatraskowych i karabińczyków. Należy używać wyłącznie łączników odpowiednich do danego zastosowania. Należy zadbać o to, by wszystkie połączenia były kompatybilne pod względem rozmiaru, kształtu i wytrzymałości. Nie wolno używać niekompatybilnego sprzętu. Należy upewnić się, że wszystkie łączniki są całkowicie zamknięte i zablokowane.

Łączniki 3M (karabińczyki zatrzaskowe i karabińczyki) zostały zaprojektowane do użytku wyłącznie w sposób określony w instrukcjach poszczególnych produktów. Na rysunku 6 przedstawiono nieprawidłowe połączenia. Karabińczyki i karabinki zatrzaskowe 3M nie powinny być przypinane:

- Do klamer typu D, do których przypięto już inny łącznik.
- W sposób, który może przyczynić się do obciążenia zatrzasku.
- W sposób pozorny, gdy do mocowania przyłączone zostają elementy wystające z karabinka lub karabinka samozatraskowego i bez wizualnych ogledzin nie można potwierdzić całkowitego przytwierdzenia do punktu mocowania.
- Do siebie nawzajem.
- Bezpośrednio do taśmy, linki bezpieczeństwa bądź kotwy gruntowej (chyba że w instrukcjach producenta, zarówno w odniesieniu do linki bezpieczeństwa, jak i łącznika, wyraźnie dopuszczono takie połączenie).
- Do żadnego obiektu, którego kształt lub wymiary uniemożliwiają zamknięcie i zablokowanie karabińczyka hakowego lub karabińczyka bądź mogą spowodować wysunięcie.
- W sposób, który nie pozwala na właściwe ułożenie łącznika pod obciążeniem.

2.6 PODSYSTEMY ŁĄCZĄCE: Podsystemy łączące (urządzenia samohamowne, linki bezpieczeństwa, urządzenia samozaciskowe i linki asekuracyjne, zaczepy linowe itp.) powinny być odpowiednio dobrane do zastosowania (patrz sekcja 1.1). Dodatkowe informacje na ten temat można znaleźć w instrukcji producenta podsystemu. Niektóre modele szelek bezpieczeństwa są wyposażone w zaczepy pętli taśm. Do łączenia z pętlami taśm nie należy używać karabińczyków hakowych. W tym celu należy stosować karabińczyki samozatraskowe. Należy upewnić się, że w karabińczyku nie występuje obciążenie działające na zamknięcie (zamiast na główną oś karabińczyka). Niektóre linki bezpieczeństwa umożliwiają zaczepienie do pętli taśm w celu zapewnienia kompatybilnego połączenia. Linki bezpieczeństwa mogą być przyszyte bezpośrednio do pętli taśm, tworząc stałe połączenie. Do pętli taśm nie należy mocować większej liczby linek, z wyjątkiem sytuacji, w której dwie linki bezpieczeństwa są zaczepione do pętli taśm o odpowiedniej wielkości. Aby zaczepić linkę bezpieczeństwa do pętli taśm (rysunek 7): A) Przełożyć pętlę taśm linki bezpieczeństwa przez pętlę taśm lub klamrę typu D na szelkach bezpieczeństwa. B) Przełożyć odpowiedni koniec linki bezpieczeństwa przez pętlę taśm tej linki. C) Przeciagnąć linkę bezpieczeństwa przez łączącą pętlę taśm w celu jej zamocowania.

2.7 MOCOWANIE LINKI BEZPIECZEŃSTWA: Na rysunku 8 przedstawiono mocowanie linki bezpieczeństwa. Służy ono do przytwierdzenia luźnego końca linki bezpieczeństwa lub urządzenia samohamownego przymocowanego do szelek bezpieczeństwa, które nie jest podłączone do łącznika kotwiczącego w konfiguracjach ochrony przed upadkiem. Mocowania linki bezpieczeństwa nie wolno nigdy stosować jako element mocowania systemu ochrony przed upadkiem na szelkach bezpieczeństwa do podłączenia linki bezpieczeństwa lub urządzenia samohamownego (SRD) (A).

Jeśli nie jest podłączona do łącznika kotwiczącego, luźną linkę należy prawidłowo zamocować na szelkach bezpieczeństwa (B) lub zabezpieczyć w dłoni użytkownika jak w zastosowaniach ze 100% zakotwiczeniem (Tie-Off) (C). Luźno zwisające odcinki linki (D) mogą spowodować potknięcie użytkownika lub zahaczyć o znajdujące się w pobliżu, prowadząc do upadku.

1 Użytkownik: osoba wykonująca prace na wysokości, wyposażona w osobisty system ochrony przed upadkiem.

2 Osoba upoważniona: osoba wyznaczona przez pracodawcę do wykonywania obowiązków w miejscu narażenia pracowników na zagrożenie upadkiem.

3 Ratownik: Osoba lub osoby inne niż osoba ratowana, podejmujące działania w celu przeprowadzenia wspólnej akcji ratunkowej poprzez obsługę systemu ratunkowego.

4 Kompetentna osoba: Osoba potrafiąca rozpoznać istniejące i możliwe do przewidzenia zagrożenia w otoczeniu lub niehigieniczne, niebezpieczne albo stwarzające zagrożenie dla pracowników warunki pracy, która jest równocześnie upoważniona do podejmowania szybkich działań naprawczych w celu ich wyeliminowania.

5 Częstość kontroli: Ekstremalne warunki robocze (surowe środowisko, długi czas użycia itd.) mogą wymagać, by kompetentna osoba częściej przeprowadzała kontrolę.

3.0 UŻYTKOWANIE SZELEK BEZPIECZEŃSTWA

3.1 PRZED KAŻDYM UŻYCIEM tego sprzętu należy go skontrolować zgodnie z sekcją „Dziennik przeglądów i konserwacji” (tabela 1).

3.2 ZAPLANOWAĆ system przed użyciem. Należy wziąć pod uwagę wszystkie czynniki mające wpływ na bezpieczeństwo podczas użytkowania tego sprzętu. Poniższa lista zawiera zagadnienia, które należy rozważyć podczas planowania systemu:

- **Punkt kotwiczący:** należy dobrać punkt kotwiczący spełniający wymagania obciążenia statycznego w zastosowaniach zabezpieczeń przed upadkiem (patrz sekcja 1.1). Umieszczenie punktu kotwiczącego powinno uwzględniać upadek swobodny, wolną przestrzeń podczas upadku, upadek w wyniku zakołysania oraz ograniczenia środowiskowe opisane w sekcji 1.4.
- **Ostre krawędzie:** unikać prac, podczas których elementy systemu będą się stykać lub ocierać o niezabezpieczone ostre krawędzie.
- **Po upadku:** elementy, na które zadziałały siły amortyzujące upadek należy wycofać z eksploatacji i zniszczyć.
- **Akcja ratunkowa:** pracodawca korzystający z tego urządzenia musi dysponować planem ratunkowym. Pracodawca powinien mieć możliwość szybkiego i bezpiecznego przeprowadzenia akcji ratunkowej.
- **Ratunkowe szelki bezpieczeństwa:** ratunkowe szelki bezpieczeństwa (EN 1497) należy nosić podczas standardowych prac. Przed pierwszym użyciem elementów mocowania ratowniczego użytkownik powinien przeprowadzić test zawieszenia w bezpiecznych warunkach w celu potwierdzenia prawidłowego doboru wielkości i dopasowania szelek bezpieczeństwa do wygodnej pracy na wysokości.
- **Ustalanie pozycji podczas pracy:** Należy zawsze wziąć pod uwagę potrzebę użycia zapasowego indywidualnego systemu zabezpieczenia przed upadkiem (np. systemu zatrzymania upadku) podczas korzystania z systemu ustalającego pozycję podczas pracy. Zawsze używaj punktu kotwiczenia umieszczonego na wysokości talii lub powyżej.

3.3 KLAMRY: Pełne szelki bezpieczeństwa są wyposażone w rozmaite klamry, służące do mocowania i regulacji taśm na nogi i klatkę piersiową. Pasy na całe ciało są wyposażone w klamrę ze sprzączką. Rysunek 1 przedstawia typy klamer szelek bezpieczeństwa. Rysunek 9 ilustruje działanie poszczególnych klamer:

1. Klamry Quick Connect:

- Aby zamknąć klamrę Quick Connect, należy wsunąć sprzączkę do gniazda do momentu usłyszenia kliknięcia.
- Aby wyregulować założony pasek: Pociągnąć pasek do przodu lub do tyłu przez otwór klamry, aby zacisnąć lub poluzować.
- Aby otworzyć klamrę Quick Connect: ścisnąć dźwignie blokady po obu stronach gniazda. Wyciągnąć sprzączkę z gniazda.

2. Klamry przelotowe:

- Przesunąć klamrę męską przez otwór w klamrze żeńskiej.
- Zacisnąć wolny pasek, tak aby klamra męska zrównała się z klamrą żeńską. Zabezpieczyć luźny pasek w elemencie przytrzymującym.

3.4 REGULACJE: Szelki bezpieczeństwa są wyposażone również w regulatory tułowia do wyregulowania pasków naramiennych. Rysunek 10 prezentuje obsługę regulatorów tułowia:

1. Spadochronowe regulatory tułowia: W celu wyregulowania taśm ramiennych za pomocą spadochronowych regulatorów tułowia:

- Pociągnąć wolny pasek, aby zacisnąć taśmę ramienną. Aby poluzować taśmę ramienną, należy pociągnąć luźny pasek, a następnie wycofać taśmę przez regulator spadochronowy.
- Po odpowiednim wyregulowaniu, wolny odcinek taśmy należy zabezpieczyć w elemencie przytrzymującym.

Jeśli zarządzanie końcem wstęgi na rzep (patrz Rysunek 11) jest obecne, zwinąć wolny pasek wstęgi aż do naprężenia (A), ponownie przymocuj paski na rzepy do paska i zabezpiecz paski (B). Upewnij się, że rolka jest ciasna, a uchwyt paska przesunięty w pobliżu rolki (C).

3.5 ZAKŁADANIE I DOPASOWYWANIE PEŁNYCH SZELEK BEZPIECZEŃSTWA: Rysunek 13 ilustruje zakładanie i dopasowywanie pełnych szelek bezpieczeństwa. Przed każdym użyciem szelki bezpieczeństwa należy skontrolować zgodnie z listą kontrolną podaną w sekcji „Dziennik przeglądów i konserwacji (tabela 1)”. W celu założenia i dopasowania szelek bezpieczeństwa:

procedury zapinania klamer i regulacji taśm szelek bezpieczeństwa różnią się w zależności od modelu szelek. Szczegółowe informacje na ten temat znajdują się w sekcjach 3.3 i 3.4 oraz na rysunkach 8 i 9.

1. Podnieść i przytrzymać szelki bezpieczeństwa za tył grzbietowej klamry zaczepowej typu D w systemie Easy-Link. Upewnić się, że taśmy nie są poskręcane.
2. Chwycić taśmy ramienne i założyć szelki bezpieczeństwa na jedno ramię. Grzbietowa klamra zaczepowa typu D będzie znajdować się na plecach. Upewnić się, że taśmy nie są splecione i wiszą swobodnie. Wsunąć drugie ramię do szelek bezpieczeństwa i ustawić taśmy ramienne u góry ramion. Taśma piersiowa i sprzączka piersiowa powinny być ustawione z przodu.
3. Chwycić prawą taśmę na nogi. Przeciągnąć taśmę między nogami; włożyć sprzączkę do odpowiedniej sprzączki przy prawym biodrze, a następnie wyregulować taśmę na nogi tak, aby zapewniała wygodę (obsługa sprzączki — patrz sekcja 3.3). Po prawidłowym wyregulowaniu luźny koniec taśmy na nogi włożyć pod element przytrzymujący.
W celu zapięcia i wyregulowania lewej taśmy na nogi powtórzyć procedurę.
4. Wyregulować i zapiąć pas biodrowy z klamrę ze sprzączką, jeśli jest. (patrz Sekcja 3.3, aby zapoznać się z obsługą klamry ze sprzączką).
5. Zapiąć i wyregulować taśmę piersiową (obsługa sprzączki — patrz sekcja 3.3). Pas klatkowy powinien znajdować się 15 cm (6 in) poniżej linii barków. Po prawidłowym wyregulowaniu luźny koniec taśmy piersiowej włożyć pod element przytrzymujący.

6. Wyregulować taśmy ramienne za pomocą regulatorów tułowia tak, aby ściśle przylegały do ramion (obsługa elementów regulacji tułowia — patrz sekcja 3.4). Lewa i prawa taśma ramienna powinny być wyregulowane na identyczną długość, a taśma piersiowa powinna znajdować się na środku, 15 cm (6 in) poniżej linii barków. Tylna grzbietowa klamra zaczepowa typu D powinna znajdować się na środku, pomiędzy łopatkami. Przednia brzuszna klamra typu D (jeśli jest zamontowana), powinna być umiejscowiona w poziomie, w odległości do 5 cm (2 in) od pionowej linii środkowej szelek bezpieczeństwa.

Podczas użytkowania regularnie sprawdzaj elementy mocujące i regulacyjne

3.6 UŻYCIĘ KLAMRY TYPU D LUB ELEMENTU MOCOWANIA ZABEZPIECZENIA PRZED UPADKIEM: Punkty kotwiczące do Zabezpieczenia przed upadkiem oznaczone są wielką literą "A". W zastosowaniach związanych z zabezpieczeniami przed upadkiem należy na plecach (między łopatkami) zamontować grzbietową klamrę zaczepową typu D lub element mocowania, lub element mocujący Przednia brzuszna klamra typu D na klatce piersiowej. Boczne klamry typu D (jeśli są zamontowane) służą tylko do zastosowań związanych z ustalaniem pozycji lub ograniczaniem ruchu. Ramienne mocowania służą tylko do zastosowań podczas akcji ratunkowych lub wyciągania. Przednia brzuszna klamra typu D służy do wchodzenia po drabinie lub do ustalania pozycji. Klamry typu D na siedzisku do prac wysokościowych służą tylko do zastosowań związanych z pracą na wysokościach lub ustalaniem pozycji. (patrz sekcja 1.1.).

3.7 PRZYŁĄCZANIE: Jeżeli do zaczepienia do punktu kotwiczącego lub łączenia elementów systemu wykorzystywany jest hak, należy upewnić się, że nie dojdzie do wyczepienia. Do wyczepienia dochodzi, kiedy interferencja między hakiem a łącznikiem dopasowującym powoduje niezamierzone otwarcie i zwolnienie mocowania haka. W celu zmniejszenia prawdopodobieństwa wyczepienia należy stosować haki zatrzaskowe i karabińczyki. Nie należy wykorzystywać haków ani łączników, które nie zamkną się całkowicie na obiekcie, do którego są mocowane. Więcej informacji na temat przyłączania można znaleźć w instrukcji producenta podsystemu.

3.8 ŁĄCZENIE ELEMENTÓW SYSTEMU: Po dopasowaniu szelek bezpieczeństwa użytkownik może podłączyć inne elementy systemu. Należy postępować zgodnie z wytycznymi podanymi w sekcji 2 oraz instrukcjami producenta dołączonymi do poszczególnych elementów.

4.0 PRZEGLĄD

4.1 CZĘSTOTLIWOŚĆ KONTROLI: Pełne szelki bezpieczeństwa należy poddawać przeglądowi w odstępach czasu określonych w sekcji 2.2. Procedury przeglądu opisano w części „Dziennik przeglądów i konserwacji” (Tabela 1).

4.2 WADY: Jeśli przegląd wykryje wadliwe elementy, należy natychmiast wycofać szelki bezpieczeństwa z eksploatacji i zniszczyć.

4.3 TRWAŁOŚĆ PRODUKTU: okres eksploatacji szelek bezpieczeństwa jest zależny od warunków roboczych i konserwacji. Maksymalny okres eksploatacji może wynosić od roku w przypadku intensywnego użytkowania w ekstremalnych warunkach do 10 lat w przypadku mało intensywnego użytkowania w sprzyjających warunkach. Produkt ten może pozostać w eksploatacji tak długo, jak długo spełnia kryteria przeglądu do maksymalnie 10 lat.

5.0 KONSERWACJA, NAPRAWY, PRZECHOWYWANIE

Nie czyścić ani nie dezynfekować produktu żadną metodą inną niż opisana w poniższej instrukcji czyszczenia. Inne metody mogą mieć niekorzystny wpływ na produkt lub użytkownika.

5.1 CZYSZCZENIE: Pełne uprząże 3M należy czyścić zgodnie z instrukcjami firmy 3M. Aby wyczyścić uprząż, należy umyć ją łagodnym środkiem czyszczącym niezawierającym wybielacza, a następnie wypłukać. Uprząż należy następnie rozwiesić i pozostawić do wyschnięcia. Temperatura wody używanej do czyszczenia oraz powietrza podczas suszenia nie powinna nigdy przekraczać 54,4°C (130°F). Więcej informacji można znaleźć w biuletynie technicznym na naszej stronie internetowej: <http://www.3M.com/FallProtection/WebCleaning>

W razie pytań dotyczących procedur czyszczenia należy kontaktować się z działem pomocy technicznej firmy 3M.

5.2 NAPRAWA: Pełne szelki bezpieczeństwa nie podlegają naprawie. Jeżeli szelki bezpieczeństwa zostaną poddane działaniu siły upadku lub kontrola wykaże, że są wadliwe lub nie zapewniają bezpiecznej pracy, należy natychmiast wycofać je z eksploatacji oraz zniszczyć.

5.3 PRZECHOWYWANIE I TRANSPORT: szelki bezpieczeństwa należy transportować i przechowywać w chłodnym, suchym i czystym otoczeniu. Nie wystawiać na bezpośrednie działanie promieni słonecznych. Należy unikać miejsc, w których mogą występować opary chemiczne. Szelki bezpieczeństwa należy dokładnie skontrolować po dłuższym okresie przechowywania.

6.0 OZNACZENIA NA ETYKIETACH

Rysunek 14 ilustruje etykiety produktu oraz ich umiejscowienie na pełnych szelkach bezpieczeństwa. Wszystkie etykiety powinny być na swoim miejscu i być w pełni czytelne.

Informacje na etykietach:

1	(A) Punkt kotwiczący do zatrzymania upadku, oznaczony wielką literą "A" (B) Lokalizacja etykiety
2	(A) Dziennik przeglądów (B) Numer seryjny (C) Inicjał (D) Data (E) Nie usuwać tej etykiety.
3	(A) Etykieta z informacjami dla użytkownika
4	(A) Numer seryjny (B) Miesiąc produkcji (C) Rok produkcji (D) Numer partii (E) Numer modelu (F) Norma europejska (G) Pojemność (H) Rozmiar (I) Patrz instrukcje (J) Znak CE (K) Numer jednostki notyfikowanej wykonującej badanie zgodności z typem (L) Rozmiar paska

INFORMAÇÕES DE SEGURANÇA

Certifique-se de que lê, compreende e segue todas as informações de segurança contidas nestas instruções antes de utilizar este Arnês completo de corpo. O INCUMPRIMENTO DESSAS INSTRUÇÕES PODERÁ RESULTAR EM LESÕES GRAVES OU MORTE.

Estas instruções têm de ser fornecidas ao utilizador deste equipamento. Guarde estas instruções para referência futura.

Uso previsto:

Este Arnês completo de corpo deve ser utilizado como parte de um sistema pessoal completo de proteção antiqueda.

A sua utilização noutras circunstâncias incluindo, sem limitações, atividades de manuseamento de materiais, atividades recreativas ou relacionadas com desporto ou outras atividades não descritas nas Instruções para o utilizador, não é aprovada pela 3M e pode resultar em ferimentos graves ou morte.

Este dispositivo só deve ser utilizado por pessoas que tenham recebido formação no local de trabalho.

AVISO

Este Arnês completo de corpo é parte de um sistema pessoal completo de proteção antiqueda. Todos os utilizadores devem receber formação quanto à instalação e manuseamento seguros do seu sistema de proteção antiqueda pessoal. **A má utilização deste dispositivo pode resultar em ferimentos graves ou morte.** Para a devida seleção, manuseamento, instalação, manutenção e reparação, consulte estas Instruções para o utilizador e todas as recomendações do fabricante, consulte o seu supervisor ou contacte os serviços técnicos da 3M.

- **Para minimizar os riscos associados à utilização de um Arnês completo de corpo que, caso não evitados, podem resultar em ferimentos graves ou morte:**
 - Inspeccione o dispositivo antes de cada utilização, pelo menos um vez por ano e após cada incidente de queda. Inspeccione de acordo com as Instruções para o utilizador.
 - Se a inspeção revelar uma condição insegura ou defeituosa, retire imediatamente o dispositivo de serviço e elimine-o.
 - Qualquer dispositivo que tiver sido sujeito a forças de detenção da queda ou de impacto, deve ser imediatamente retirado de serviço e eliminado.
 - Assegure-se que o arnês é corretamente usado, tem a medida certa e está perfeitamente ajustado.
 - Assegure-se de que todos os sistemas de ligação (por exemplo, cabos de segurança) são mantidos longe de todos os perigos, incluindo mas não se limitando a, enroscamento com outros trabalhadores, tropeço, máquinas em movimento ou outros objetos circundantes.
 - Assegure-se de que os sistemas/subsistemas de proteção antiqueda, montados com componentes produzidos por diferentes fabricantes, são compatíveis e satisfazem os requisitos das normas aplicáveis, incluindo a ANSI Z359 ou outros códigos, normas ou requisitos de proteção antiqueda aplicáveis. Consulte sempre uma Pessoa competente ou qualificada antes de utilizar estes sistemas.
- **Para minimizar os riscos associados à utilização em trabalhos em altura que, caso não evitados, podem resultar em ferimentos graves ou morte:**
 - Certifique-se de que a sua condição física e o seu estado de saúde lhe permitem suportar, com segurança, todas as forças associadas ao trabalho em altura. Consulte um médico caso tenha alguma questão quanto à sua capacidade de utilizar este equipamento.
 - Nunca exceda a capacidade permitida do seu equipamento de proteção antiqueda.
 - Nunca exceda a distância de queda livre máxima do seu equipamento de proteção antiqueda.
 - Não utilize qualquer equipamento de proteção antiqueda que não cumpra os critérios predefinidos ou outras inspeções agendadas ou caso tenha dúvidas quanto à utilização ou adequação do equipamento no seu trabalho. Contacte os serviços técnicos da 3M se tiver dúvidas.
 - Algumas combinações de subsistemas e componentes podem interferir com o funcionamento deste equipamento. Utilize apenas conectores compatíveis. Consulte a 3M quando instalar ou utilizar este equipamento em combinação com componentes ou subsistemas diferentes dos descritos nas Instruções para o utilizador.
 - Tome precauções adicionais ao trabalhar perto de maquinaria em movimento (por exemplo, sistema de acionamento de topo das plataformas petrolíferas), quanto a perigos elétricos, temperaturas extremas, perigos químicos, gases explosivos ou tóxicos, bermas afiadas ou materiais suspensos que possam cair em cima de si ou do seu equipamento de proteção antiqueda.
 - Utilize equipamentos de proteção contra soldadura por arco elétrico ou materiais inflamáveis ao trabalhar em ambientes de temperatura elevada.
 - Evite superfícies ou objetos que possam causar-lhe ferimentos ou danificar o equipamento.
 - Certifique-se de que existe uma altura livre de queda adequada ao trabalhar em alturas.
 - Nunca modifique ou altere o equipamento de proteção antiqueda. Apenas a 3M ou terceiros com autorização escrita da 3M podem efetuar reparações neste equipamento.
 - Antes de utilizar equipamento de proteção antiqueda, certifique-se de que existe um plano de resgate pronto a ser acionado caso ocorra um incidente de queda.
 - No caso de um incidente de queda, solicite imediatamente ajuda médica para o trabalhador que caiu.
 - Não utilize um cinto de corpo inteiro para aplicações de paragem de queda. Utilize apenas um arnês de corpo inteiro.
 - Minimizar as quedas em oscilação trabalhando o mais possível diretamente abaixo do ponto de ancoragem.
 - Se o dispositivo for utilizado durante uma formação, deve ser utilizado um sistema de proteção antiqueda secundário para garantir que o formando não fica exposto a perigos de queda.
 - Utilize sempre equipamento de proteção individual adequado durante a instalação, utilização ou inspeção do dispositivo/sistema.

Antes de utilizar este equipamento, registre os dados de identificação do produto presentes na etiqueta de identificação no "Registo de inspeções e manutenções", no verso deste manual.

Certifique-se sempre de que está a utilizar a versão mais recente do seu manual de instruções da 3M. Visite o website da 3M ou contacte os Serviços Técnicos da 3M para obter manuais de instruções atualizados.

DESCRIÇÃO

A Figura 1 define os modelos de arnês de corpo inteiro 3M™ Protecta® disponíveis. Os modelos de arnês estão disponíveis com diversas combinações das seguintes características:

	Referência na Figura 1:	Descrição:
Tamanhos	S, M/L, XL	Pequeno, Médio/Grande, Extra Grande
	Ⓑ	Tamanho da correia em cm
Elementos de fixação	①	Anel de ancoragem dorsal
	②	Anel de ancoragem do esterno
	③	Anéis de ancoragem das ancas
	④	Fixação dos ombros
Fivelas	⑤	Fivelas de regulação rápida
	⑥	Fivelas de passagem
Reguladores	⑦	Reguladores de tronco de para-quedas
Almofadas	⑧	Almofada de cinto e anca
Características adicionais	⑨	Almofada de perna
	⑩	Retentores de cabo de segurança autorrepositivos com libertação
	⑪	Gestão de extremidades de tecido - Ver a Figura 11
	⑫	Cinto de resgate
	⑬	Laço de instrumento

ESPECIFICAÇÕES

Desempenho:	
Força de paragem máxima:	6 kN (1 349 lbf)
Capacidade:	140 kg (310 lb.)
Temperatura de funcionamento:	Mínima: -35 °C (-31 °F) Máxima: +57 °C (135 °F)

Materiais:	
Malha de rede	Poliéster - Tensão de rotura 22 kN (4 946 lbf)
Coberturas de almofadas	Mistura de nylon e poliéster
Cobertura de etiqueta	Mistura de nylon e poliéster
Fio	Fio de poliéster sobre tecido de poliéster
Anéis de ancoragem	Liga de aço - Tensão de rotura 22 kN (4 946 lbf)
Fivelas de regulação rápida	Aço, aço inoxidável e liga de aço - Tensão de rotura de 18 kN (4 047 lbf)
Fivelas de atravessar	Liga de aço - Tensão de rotura 18 kN (4 047 lbf)
Reguladores de tronco de para-quedas	Liga de aço - Tensão de rotura 18 kN (4 047 lbf)

1.0 APLICAÇÕES

1.1 FINALIDADE: Os arneses de corpo inteiro devem ser utilizados como componentes em sistemas pessoais de proteção antiqueda concebidos para impedir uma queda ou deter uma queda em segurança (ver a Figura 2). Os arneses de corpo inteiro são utilizados nas seguintes aplicações:

A	Proteção antiqueda (EN360, EN361, EN355): Os sistemas de proteção antiqueda incluem normalmente um arnês de corpo inteiro e um subsistema de ligação (cabo de segurança de absorção de energia, dispositivo autorretrátil, etc.). A força de detenção não deve exceder os 6 kN (1 349 lbf). <i>Força da ancoragem:</i> A ancoragem selecionada tem de sustentar cargas de 12 kN (2 698 lbf) ou superiores.
B	Posicionamento no trabalho (EN358, EN813): Os sistemas de posicionamento no trabalho incluem normalmente um arnês de corpo inteiro, cabo de segurança de posicionamento e um sistema pessoal de detenção da queda de reserva. Para aplicações de posicionamento no trabalho, ligue o subsistema de posicionamento no trabalho (exemplo: corda, corda em "Y", etc.) à parte inferior (a nível da anca) ou aos elementos de ancoragem e amarração montados para o posicionamento no trabalho (D-Rings). Nunca utilize estes pontos de ligação para a proteção antiqueda. <i>Elementos de fixação:</i> Frontal, de anca. <i>Força da ancoragem:</i> A ancoragem selecionada tem de sustentar cargas de 12 kN (2 698 lbf) ou superiores.
C	Escalar (EN353-1): O arnês de corpo inteiro é utilizado como componente de um sistema de escalada para impedir que o utilizador caia ao subir uma escada ou outra estrutura de subida. Os sistemas de escalada incluem normalmente um arnês de corpo inteiro, cabo vertical ou carril fixo à estrutura e manga de escalada. Para aplicações com escada de subida e arneses equipados com um D-Ring frontal na localização esternal podem ser utilizados para proteção antiqueda em sistemas de escada de subida fixos. <i>Elementos de fixação:</i> Esternal. <i>Força da ancoragem:</i> A estrutura à qual o sistema de escalada é fixo tem de sustentar as cargas exigidas pela documentação do fabricante do sistema de escalada.
D	Resgate (EN1496, EN1497, EN1498): O arnês de corpo inteiro é utilizado como componentes de um sistema de resgate. Os sistemas de resgate são configurados consoante o tipo de resgate. Para aplicações de acesso limitado (espaço confinado), os arneses equipados com D-Rings nos ombros podem ser utilizados para entrada e retirada em espaços confinados onde o perfil do trabalhador constitui um problema. <i>Elementos de fixação:</i> Dorsal, esternal, frontal, de ombros. <i>Força da ancoragem:</i> A ancoragem selecionada tem de sustentar cargas de 12 kN (2 698 lbf) ou superiores.
E	Descida controlada (EN341): Para aplicações de descida controlada, os arneses equipados com um único D-Ring a nível esternal, um ou dois D-Rings frontais ou um par de conectores que derivam da parte inferior da cintura (como assento com guindaste) podem ser utilizados para ligação a um sistema de descida ou de evacuação. <i>Elementos de fixação:</i> Dorsal, esternal, frontal. <i>Força da ancoragem:</i> As ancoragens selecionadas têm de sustentar cargas de 12 kN (2 698 lbf) ou superiores.
F	Restrição (EN354): O arnês de corpo inteiro é utilizado como componente de um sistema de restrição para impedir que o utilizador esteja em perigo de queda. Os sistemas de restrição incluem normalmente um arnês de corpo inteiro e um cabo de segurança ou linha de restrição. <i>Elementos de fixação:</i> Dorsal, esternal, frontal, de anca. <i>Força da ancoragem:</i> A ancoragem selecionada tem de sustentar cargas pelo menos 18 kN (4 047 lbf) quando os talabartes incluem qualquer material têxtil ou elementos de talabarte têxtil, por ex. são utilizados cabos de fibra sintética ou correias. Quando são utilizados talabartes feitos inteiramente de elementos metálicos, a ancoragem deve sustentar cargas de pelo menos 12 kN (2 698 lbf).

1.2 NORMAS: Os arneses incluídos neste manual estão em conformidade com a(s) norma(s) identificada(s) na capa frontal destas instruções. Se este produto for revendido fora do país de destino original, o revendedor deve fornecer estas instruções na língua do país no qual o produto será usado.

1.3 FORMAÇÃO: É da responsabilidade do utilizador e do vendedor deste equipamento assegurarem que estão familiarizados com estas instruções, que receberam formação sobre o tratamento e utilização corretos e que estão sensibilizados para as características do funcionamento, os limites de aplicação e as consequências da utilização indevida deste equipamento.

1.4 LIMITAÇÕES: Deve tomar sempre em consideração as seguintes limitações da aplicação antes de se utilizar este equipamento:

- **CAPACIDADE:** O arnês de corpo inteiro destina-se a ser utilizado por pessoas com um peso total (pessoa, vestuário, ferramentas etc.) não superior a 140 kg (309 lb.). Certifique-se de que todos os componentes do seu sistema possuem a capacidade nominal adequada para a sua aplicação.
- **QUEDA LIVRE:** Um sistema de travamento de queda deve incluir elementos ou funções de absorção de energia para garantir que as forças de impacto no corpo do usuário durante a parada de uma queda livre sejam restritas a um máximo de 6 kN (1 349 lbf). Os sistemas de segurança devem ser manobrados para que nenhuma queda livre na vertical seja possível. Os sistemas de posicionamento no trabalho devem ser manobrados para que a queda livre esteja limitada a 60 cm (24 in.) ou menos. Os sistemas conduzidos pelo pessoal devem ser manobrados para que nenhuma queda livre na vertical seja possível. Os sistemas de salvamento devem ser manobrados para que nenhuma queda livre na vertical seja possível. Consulte as instruções do fabricante do subsistema para mais informações.
- **DISTÂNCIA DE QUEDA:** A Figura 3 ilustra os componentes do Sistema de detenção da queda do engate de camião. Deve haver espaço livre suficiente para proteção de uma queda antes que o utilizador caia ao chão ou encontre outro obstáculo. O espaço livre é afetado por uma série de fatores, incluindo: (A) Comprimento do cabo de segurança, (B) distância de desaceleração do cabo de segurança ou distância de detenção máxima do SRD, (C) elasticidade do arnês e comprimento do D-ring/Conector e estabilização (normalmente um fator de segurança de 0,5 m (1,6 ft.)). Consulte as instruções incluídas com o cabo de segurança ou dispositivo autorretrátil para características específicas em relação a Cálculo da altura livre de queda.
- **QUEDAS EM OSCILAÇÃO:** As quedas em oscilação ocorrem quando o ponto de ancoragem não está diretamente acima do ponto onde a queda ocorre (consulte a Figura 4). A força de impacto de um objeto numa queda em oscilação pode provocar lesões graves ou morte. Minimizar as quedas em pêndulo trabalhando o mais possível diretamente abaixo do ponto de ancoragem. Não permita uma queda por oscilação se existir a possibilidade de ferimento. As quedas em oscilação irão aumentar significativamente a altura livre necessária quando se utiliza uma corda de segurança retrátil ou outro subsistema de conexão de comprimento variável.
- **SUSPENSÃO PROLONGADA E TRAUMA DE SUSPENSÃO** Um Arnês de Corpo Inteiro não se destina a ser utilizado em aplicações de suspensão prolongada. A suspensão prolongada pode causar Trauma de Suspensão. Se o utilizador vai ser suspenso por um período de tempo prolongado, recomenda-se a utilização de alguma forma de apoio de cadeira. A 3M recomenda um assento, cadeira para trabalho em suspensão, linga de assento ou uma cadeira "de contramestre". Para mais informações sobre estes artigos, contacte a 3M.
- **RISCOS AMBIENTAIS:** A utilização deste equipamento em áreas com riscos ambientais pode necessitar de precauções acrescidas a fim de evitar lesões no utilizador ou danos no equipamento. Os perigos podem incluir, mas não estão limitados a, calor, produtos químicos, ambientes corrosivos, linhas de alta tensão, gases, maquinaria em movimento e arestas vivas.

- **ARNESES PARA AMBIENTES DE TEMPERATURA ELEVADA:** Os arneses com tecido de kevlar foram concebidos para utilização em ambientes de temperatura elevada, com limitações: O tecido de kevlar começa a queimar a 425 - 480 °C (800 - 900 °F). O tecido de kevlar consegue resistir a uma exposição de contacto limitado a temperaturas de até 535 °C (1 000 °F). O tecido de poliéster perde resistência aos 145 - 200 °C (300 - 400 °F). O revestimento de PVC nas ferragens tem um ponto de fusão de aproximadamente 175 °C (350 °F).

Apesar de as ferragens revestidas a PVC e zincadas apresentarem uma excelente resistência à corrosão em condições de ambiente químico, ácido, alcalino e atmosférico, podem ser necessárias inspeções frequentes. Consulte a 3M se considerar a utilização deste equipamento em ambientes perigosos.

2.0 UTILIZAÇÃO DO SISTEMA

- 2.1 PLANO DE RESGATE:** Quando utilizar este equipamento e subsistemas de ligação, a entidade patronal tem de ter um plano de salvamento e os meios disponíveis para implementar e comunicar esse plano aos utilizadores, pessoas autorizadas¹ e equipas de salvamento².
- 2.2 FREQUÊNCIA DE INSPEÇÕES:** O arnés de corpo inteiro deve ser inspecionado pelo utilizador antes de cada utilização e por uma pessoa competente³ sem ser o utilizador em intervalos que não ultrapassem um ano⁴. Os procedimentos de inspeção estão descritos no "Registo de inspeções e manutenções" do manual de instruções do utilizador. Os resultados da inspeção de cada pessoa competente devem ser registados em cópias do "Registo de inspeções e manutenções" ou rastreados com o sistema de identificação de radiofrequência (ver "Inspeção").

Sempre que exigido pela 3M, devido à complexidade ou à inovação do equipamento; ou sempre que forem necessários conhecimentos críticos na desmontagem, remontagem ou avaliação do equipamento, os exames periódicos devem ser realizados apenas pela 3M ou por pessoas ou organizações autorizadas pela 3M.

- 2.3 COMPATIBILIDADE DOS COMPONENTES:** O equipamento da 3M destina-se ser usado apenas com componentes e subsistemas aprovados pela 3M. As substituições efectuadas com componentes ou subsistemas não aprovados podem comprometer a compatibilidade do equipamento e podem afectar a segurança e fiabilidade de todo o sistema.
- 2.4 COMPATIBILIDADE DOS CONECTORES:** Os conectores são compatíveis com elementos de ligação quando são concebidos para trabalhar em conjunto de modo a que os seus tamanhos e formas não provoquem a abertura involuntária dos seus mecanismos de fecho, independentemente da forma como ficam orientados. Contacte a 3M se tiver dúvidas em relação à compatibilidade. Os conectores (ganchos, mosquetões, D-Rings) devem ter capacidade para suportar pelo menos 22 kN (4 946 lbf). Os conectores têm de ser compatíveis com a ancoragem ou com outros componentes do sistema. Não utilize equipamento que não seja compatível. Os conectores incompatíveis podem desprender-se involuntariamente (consulte a Figura 5). Os conectores têm de ser compatíveis em tamanho, forma e resistência. Se o elemento de ligação ao qual os mosquetões (apresentado) são ligados for de tamanho inferior ou de forma irregular, pode dar-se o caso do elemento de ligação forçar a lingueta do mosquetão. Esta força pode provocar a abertura da lingueta, permitindo que o gancho de engate rápido ou mosquetão se solte do ponto de ligação. São necessários ganchos de engate rápido e mosquetões.
- 2.5 FAZER AS LIGAÇÕES:** Utilize apenas mosquetões de auto-bloqueio e mosquetões de ligação com este equipamento. Utilize apenas conectores que sejam adequados a cada aplicação. Certifique-se de que todas as ligações são compatíveis em tamanho, forma e resistência. Não utilize equipamento que não seja compatível. Certifique-se de que todos os conectores estão totalmente fechados e bloqueados.

Os conectores 3M (ganchos de engate rápido e mosquetões) foram concebidos para serem utilizados apenas como indicado no manual de instruções de cada produto. Consulte a Figura 6 para ver exemplos de ligações incorretas. Os ganchos de engate rápido e os mosquetões da 3M não devem ser ligados:

- A um D-Ring ao qual esteja ligado outro conector.
- De forma a que resulte uma carga sobre a lingueta.
- Num encaixe incorreto, no qual os elementos salientes do gancho de engate rápido ou do mosquetão fiquem presos na ancoragem e que, sem confirmação visual, pareçam estar totalmente encaixados no ponto de ancoragem.
- Entre si.
- Diretamente em tecido ou cabo de segurança ou fixação (a menos que as instruções do fabricante tanto para o cabo de segurança como para o conector permitam especificamente uma ligação desse tipo).
- Para qualquer objeto que tenha uma forma ou dimensão que não permita que os mosquetões fechem ou tranquem ou que possa ocorrer deslizamento.
- De forma a não permitir que o conector fique corretamente alinhado enquanto estiver sujeito a carga.

- 2.6 SUBSISTEMAS DE LIGAÇÃO:** Os subsistemas de ligação (linha de vida retrátil, cabo de segurança, antiquesadas para corda e linhas de vida, manga de cabo, etc.) têm de ser adequados à sua aplicação (consulte a secção 1.1). Consulte as instruções do fabricante do subsistema para mais informações. Alguns modelos de arnês possuem pontos de ligação de laço de tecido. Não utilize ganchos de engate rápido para ligar a laços de tecido. Utilize um mosquetão de bloqueio automático para ligar a um laço de tecido. Certifique-se de que o mosquetão não pode suportar cargas transversais à lingueta (carga contra a lingueta em vez de ao longo do eixo principal do mosquetão). Alguns cabos de segurança foram concebidos para apertar a um laço de tecido para fornecer uma ligação compatível. Os cabos de segurança podem ser cosidos diretamente ao laço de tecido, formando uma ligação permanente. Não efetue várias ligações a um laço de tecido, a não ser que aperte dois cabos de segurança a um laço de tecido com as dimensões adequadas. Para apertar o cabo de segurança a um laço de tecido (Figura 7): A) Insira o laço de tecido do cabo de segurança através do laço de tecido ou D-Ring no arnés. B) Insira a extremidade correta do cabo de segurança através do laço de tecido do cabo de segurança. C) Puxe o cabo de segurança através do laço de tecido de ligação para prender.

- 2.7 IMOBILIZAÇÃO DE CABO DE SEGURANÇA:** A figura 8 ilustra a imobilização do cabo de segurança. O acessório de imobilização do cabo de segurança serve para prender a extremidade livre de um cabo de segurança ou dispositivo autorretrátil montado num arnés quando não estiver ligada a um ponto de ligação de ancoragem para fins de protecção antiqueda. Os acessórios de imobilização de cabo de segurança nunca devem ser utilizados como elemento de fixação de protecção antiqueda no arnés para ligar um cabo de segurança ou dispositivo autorretrátil (A).

Quando não estiver ligada a um ponto de ligação de ancoragem, uma perna de cabo de segurança não ligada tem de ser devidamente imobilizada no arnés (B) ou presa na mão do utilizador como aplicações de fixação 100% (Tie-Off) (C). As pernas de cabo de amarração penduradas (D) podem fazer tropeçar o utilizador ou ficar presas nos objetos em redor, resultando numa queda.

- 1 Utilizador:** Uma pessoa que realiza atividades em altura estando protegida por um sistema pessoa de protecção antiqueda.
- 2 Pessoa autorizada:** Pessoa designada pela entidade empregadora para realizar trabalhos numa localização em que a pessoa estará exposta a perigo de queda.
- 3 Pessoa competente:** Pessoa capaz de identificar riscos existentes e previsíveis nas proximidades ou condições de trabalho pouco higiénicas, prejudiciais ou perigosas para os funcionários, e que tem autorização para tomar medidas corretivas imediatas para os eliminar.
- 4 Frequência de inspeções:** As condições de trabalho extremas (ambientes rigorosos, utilização prolongada, etc.) podem necessitar de aumentar a frequência das inspeções por pessoas competentes.

3.0 UTILIZAÇÃO DO ARNÊS

3.1 ANTES DE CADA UTILIZAÇÃO deste equipamento, inspecione-o de acordo com o "Registo de inspeções e manutenções" (Tabela 1).

3.2 PLANEIE o seu sistema antes da utilização. Considere todos os fatores que irão afetar a sua segurança durante a utilização deste equipamento. A lista seguinte apresenta pontos importantes que deverá considerar ao planejar o seu sistema:

- **Ancoragem:** selecione uma ancoragem capaz de sustentar os requisitos de Carga Estática da aplicação de proteção antiqueda prevista (ver a Secção 1.1). A localização da ancoragem deve levar em consideração as limitações de Queda Livre, Altura Livre de Queda, Pêndulo e Ambientais descritos na Secção 1.4.
- **Arestas aguçadas:** evite trabalhar em locais em que os componentes do sistema possam entrar em contacto ou ser friccionados contra arestas cortantes não protegidas.
- **Após UMA queda:** os componentes que tiverem sido sujeito às forças de detenção de uma queda têm de ser retirados de serviço e destruídos.
- **Salvamento:** quando utilizar este equipamento, a entidade empregadora tem de ter um plano de salvamento. A entidade empregadora tem de ter a capacidade de proceder a um salvamento rápido e seguro.
- **Arnês de Resgate:** Os Arnês de Resgate (EN 1497) destinam-se a ser usados durante as atividades laborais normais. Antes de usar elementos de fixação de resgate pela primeira vez, o utilizador deve realizar um teste de suspensão em condições seguras, para garantir que o arnês tem o tamanho e ajuste adequados para proporcionar o conforto ideal durante a suspensão.
- **Posicionamento de trabalho:** Considere sempre a necessidade de utilizar um Sistema de proteção individual contra quedas (por exemplo, um Sistema antiqueda) de reserva quando utilizar um Sistema de posicionamento de trabalho. Sempre use um ponto de ancoragem posicionado no nível da cintura ou acima dela.

3.3 FIVELAS: os arneses de corpo inteiro estão equipados com diversas fivelas para aperto e ajuste das cintas de perna e cintas de peito. os cintos de segurança de arnês possuem uma fivela de cinto. Consulte a Figura 1 para ver os tipos de fivela do seu arnês. A Figura 9 ilustra o funcionamento de cada uma das seguintes fivelas:

1. Fivelas de regulação rápida:

- A. Para apertar a fivela de regulação rápida, insira a lingueta no encaixe até ouvir um estalido.
- B. Para ajustar a cinta de tecido fixa: puxe a cinta de tecido para a frente ou para trás através da ranhura da fivela para apertar ou afrouxar.
- C. Para libertar a fivela de regulação rápida: aperte as alavancas de bloqueio em cada lado do encaixe. Puxe a patilha para fora do encaixe.

2. Fivelas de passagem:

- A. Insira a fivela macho através da ranhura na fivela fêmea.
- B. Aperte a cinta livre de forma a que a fivela macho fique encostada à fivela fêmea. Prenda a cinta livre no retentor de cinta.

3.4 AJUSTES: Os arneses estão equipados com um par de reguladores de tronco para ajustar as cintas de ombro. A Figura 10 ilustra o ajustamento dos reguladores de tronco:

1. Reguladores de tronco de para-quedas: para ajustar as cintas de ombro com os reguladores de tronco de para-quedas:

- A. puxe a cinta livre para apertar a cinta de ombro. Para afrouxar a cinta de ombro, puxe a cinta livre e, em seguida, passe a cinta para trás através do regulador de para-quedas.
- B. Quando estiver corretamente ajustada, prenda a cinta livre no retentor de cinta.

Se o gerenciamento da extremidade da banda de velcro (consulte a Figura 11) estiver presente, role a correia da banda livre até ficar firme (A), junte as faixas de velcro novamente sobre a faixa e prenda as faixas (B). Verifique se o rolo está apertado e o fixador da correia está deslocado perto do rolo (C).

3.5 COLOCAÇÃO E AJUSTAMENTO DO ARNÊS DE CORPO INTEIRO: A Figura 13 ilustra a colocação e o ajustamento do arnês de corpo inteiro. Antes de cada utilização, inspecione o arnês em conformidade com a lista de verificação no "Registo de inspeções e manutenções (Tabela 1)". Para colocar e ajustar o arnês:

Os procedimentos para encaminhar e ajustar as cintas no seu arnês variam consoante o modelo de arnês. Para mais informações, consulte as Secções 3.3 a 3.4 e as Figuras 9 e 10.

1. Levante e segure o arnês pelo anel de ancoragem dorsal traseiro. Certifique-se de que as cintas não estão torcidas.
2. Segure nas cintas dos ombros e passe o arnês por um braço. O anel de ancoragem dorsal deve ficar na parte posterior. Certifique-se de que as cintas não estão enroladas e que ficam suspensas livremente. Passe o seu braço livre pelo arnês e posicione as cintas dos ombros na parte superior dos ombros. A cinta do peito e a fivela do peito devem ficar posicionadas na parte frontal quando são utilizadas corretamente.
3. Puxe a cinta das pernas do seu lado direito por entre as pernas. Puxe para cima a cinta entre as pernas; coloque na fivela de encaixe na sua anca direita e ajuste a cinta das pernas de forma confortável (consulte a Secção 3.3 para ver o funcionamento da fivela). Quando corretamente ajustada, prenda a extremidade solta da cinta das pernas por baixo do retentor de cinta.
Repita este processo para colocar na fivela e ajustar a cinta das pernas esquerda.
4. Ajuste e coloque a cinta de cintura na fivela de cinto, se existir. (consulte a Secção 3.3 para ver o funcionamento da fivela de cinto).
5. Coloque na fivela e ajuste a cinta do peito (consulte a Secção 3.3 para ver o funcionamento da fivela). A cinta do peito deve ficar 15 cm (6 in.) abaixo da parte superior dos ombros. Quando corretamente ajustada, prenda a extremidade solta da cinta do peito por baixo do retentor de cinta.

6. Ajuste as cintas dos ombros para que fique confortavelmente ajustadas com os reguladores de tronco (consulte a Secção 3.4 para ver o funcionamento dos reguladores de tronco). Os lados direito e esquerdo das cintas dos ombros devem ser ajustados com o mesmo comprimento e a cinta do peito deve ficar centrada na parte inferior do peito, 15 cm (6 in.) abaixo dos ombros. O anel de ancoragem dorsal posterior deve ficar centrado entre as omoplatas. O anel de ancoragem anterior do esterno, se existir, deve ser posicionado lateralmente a 5 cm (2 in.) da linha central vertical do arnês.

Verifique regularmente os elementos de fixação e ajuste durante o uso

- 3.6 UTILIZAÇÃO DO ANEL DE ANCORAGEM DE DETENÇÃO DA QUEDA OU DE ELEMENTOS DE FIXAÇÃO:** Pontos de ancoragem para travamento de queda são marcados pela letra maiúscula "A". Para aplicações de paragem de queda, prenda ao anel de ancoragem dorsal ou elemento de fixação nas suas costas, entre as omoplatas, ou Elemento de fixação do anel D esternal no seu peito. Os anéis de ancoragem laterais, se existirem, apenas servem a finalidade de posicionamento ou aplicações de guarda de segurança. As fixações dos ombros apenas servem a finalidade de salvamento ou resgate. O anel de ancoragem anterior do esterno serve para subida em escadas ou posicionamento. Os anéis de ancoragem numa cadeira para trabalho em suspensão apenas servem a finalidade de suspensão ou posicionamento. (Consulte a secção 1.1.).
- 3.7 EFETUAR LIGAÇÕES:** Ao utilizar um gancho para fazer a ligação a um dispositivo de ancoragem ou ao fazer a ligação conjunta de componentes do sistema, certifique-se de que não existe a possibilidade de ocorrência de deslizamentos. Podem ocorrer deslizamentos quando a interferência entre o gancho e o respetivo conector faz com que a lingueta do gancho se abra e se solte involuntariamente. Devem ser utilizados ganchos de engate rápido e mosquetões de bloqueio automático para reduzir a possibilidade de deslize. Não utilize ganchos ou conectores que não fechem completamente sobre o objeto de fixação. Consulte as instruções do fabricante do subsistema para obter mais informações sobre como efetuar ligações.
- 3.8 EFETUAR LIGAÇÕES A COMPONENTES DO SISTEMA:** Depois de colocar o arnês, o utilizador pode, em seguida, efetuar ligações a outros componentes do sistema. Siga as diretrizes da Secção 2 e as instruções do fabricante incluídas com o componente.

4.0 INSPEÇÃO

- 4.1 FREQUÊNCIA DE INSPEÇÃO:** O arnês de corpo inteiro tem de ser inspecionado com os intervalos definidos na Secção 2.2. Os procedimentos de inspeção estão descritos no "Registo de inspeções e manutenções" (Tabela 1).
- 4.2 DEFEITOS:** Se a inspeção revelar uma circunstância com defeito, retire o arnês do funcionamento de imediato e elimine-o.
- 4.3 VIDA DO PRODUTO:** A vida funcional dos arneses é determinada pelas condições de trabalho e manutenção. O tempo de vida útil pode variar entre 1 ano, para utilização intensiva em condições extremas, a 10 anos, em caso de utilização ligeira em condições amenas. Enquanto o produto passar os critérios de inspeção, poderá continuar a ser utilizado até um máximo de 10 anos.

5.0 MANUTENÇÃO, REPARAÇÃO, ARMAZENAMENTO

Não limpe ou desinfete o produto por qualquer outro método que não seja o descrito nas instruções de limpeza que se seguem. Outros métodos podem ter efeitos adversos sobre o produto ou utilizador.

- 5.1 LIMPEZA:** Os arneses de corpo inteiro da 3M devem ser limpos de acordo com as instruções da 3M. Para limpar o arnês, lavar com um detergente suave e sem lixívia e depois enxaguar. O arnês deve depois ser pendurado para secar ao ar. A água utilizada para a limpeza e as temperaturas utilizadas para secar ao ar nunca devem exceder os 54,4°C (130°F). Para mais informações, consulte o boletim técnico no nosso site: <http://www.3M.com/FallProtection/WebCleaning>

Para quaisquer dúvidas sobre os procedimentos de limpeza, por favor contacte os Serviços Técnicos da 3M.

- 5.2 ASSISTÊNCIA:** Os arneses de corpo inteiro não têm reparação. Se o arnês tiver sido sujeito a uma força de queda ou a inspeção revelar condições perigosas ou defeituosas, coloque imediatamente o arnês fora de serviço e destrua-o.
- 5.3 ARMAZENAMENTO E TRANSPORTE:** Guarde e transporte o arnês de corpo inteiro num ambiente fresco, seco e limpo, protegido da luz solar direta. Evite áreas onde possam existir vapores químicos. Inspeccione minuciosamente o arnês depois de um longo período de armazenamento.

6.0 ETIQUETAGEM

A Figura 14 ilustra as etiquetas de produto e a respetiva localização no arnês de corpo inteiro. Todas as etiquetas devem estar presentes e completamente legíveis.

As informações em cada etiqueta são as seguintes:

1	(A) Ponto de ancoragem para travamento de queda, marcado pela letra maiúscula "A" (B) Localização da etiqueta
2	(A) Registo de inspeções (B) Número de série (C) Data (D) Inicial (E) Não remova esta etiqueta.
3	(A) Etiqueta de informações do utilizador
4	(A) Número de série (B) Mês de fabrico (C) Ano de fabrico (D) Número de lote (E) Número do modelo (F) Norma europeia (G) Capacidade (H) Tamanho (I) Ver instruções (J) Marca CE (K) Número de organismo notificado que realiza a homologação (L) Tamanho da correia

INFORMAȚII PRIVIND SIGURANȚA

Înainte de a utiliza această centură complexă de siguranță pentru întregul corp, vă rugăm să citiți, să vă asigurați că ați înțeles și să aplicați toate informațiile privind siguranța care sunt incluse în aceste instrucțiuni. ÎN CAZ CONTRAR, SE POT PRODUCE ACCIDENTĂRI GRAVE SAU CHIAZ DECESUL.

Utilizatorul acestui echipament trebuie să primească aceste instrucțiuni. Păstrați aceste instrucțiuni pentru a le consulta ulterior.

Utilizarea avută în vedere:

Această centură complexă de siguranță pentru întregul corp este destinată a fi utilizată ca parte a unui sistem complet de protecție individuală împotriva căderii.

Utilizarea în orice alt scop, inclusiv, dar fără limitare la manevrarea materialelor, activități recreaționale sau sportive sau pentru orice alte activități care nu sunt descrise în Instrucțiunile pentru utilizator, nu este aprobată de 3M și poate avea genera accidentări grave sau decesul.

Acest dispozitiv trebuie folosit numai de către utilizatorii instruiți pentru activitățile desfășurate la locul lor de muncă.



AVERTIZARE

Această centură complexă de siguranță pentru întregul corp face parte dintr-un sistem de protecție individuală împotriva căderii. Este necesar ca toți utilizatorii să fie instruiți temeinic în privința instalării și a utilizării în condiții de siguranță a sistemului lor de protecție individuală împotriva căderii. **Utilizarea inadecvată a acestui dispozitiv ar putea genera accidentări grave sau chiar decesul.** Pentru selectarea, utilizarea, instalarea, întreținerea și repararea adecvată a produsului, vă rugăm să consultați aceste Instrucțiuni pentru utilizator, precum și toate recomandările producătorului, să consultați un supervisor sau să contactați Serviciul tehnic 3M.

- **Pentru a reduce riscurile asociate utilizării unei centuri complexe de siguranță pentru întregul corp care, dacă nu sunt evitate, ar putea genera accidentări grave sau decesul:**
 - Inspectați dispozitivul înainte de fiecare utilizare, cel puțin o dată pe an și după fiecare cădere. Inspectați în conformitate cu Instrucțiunile pentru utilizator.
 - Dacă inspecția identifică o problemă de siguranță sau o defectiune, scoateți dispozitivul din uz și distrugeți-l.
 - Orice dispozitiv care a fost supus forței de oprire a căderii sau de impact trebuie scos imediat din uz și distrus.
 - Asigurați-vă că centura complexă de siguranță este purtată în mod corect, dimensionată în mod corespunzător și reglată în mod adecvat.
 - Asigurați-vă că niciunul dintre subsisteme (ex. corzile) nu prezintă riscuri, incluzând, fără însă a se limita la: încurcarea cu alți lucrători, cu dvs., cu utilaje în mișcare sau cu alte obiecte din jur.
 - Asigurați-vă că sistemele/subsistemele de protecție împotriva căderii care sunt asamblate din componente provenind de la diverși producători sunt compatibile și îndeplinesc cerințele standardelor aplicabile, inclusiv ANSI Z359 sau alte coduri, standarde sau cerințe aplicabile privind protecția împotriva căderii. Consultați-vă întotdeauna cu o persoană competentă sau calificată înainte de a folosi aceste sisteme.
- **Pentru a reduce riscurile asociate lucrului la înălțime care, dacă nu sunt evitate, ar putea genera accidentări grave sau decesul:**
 - Asigurați-vă că starea dvs. de sănătate și condiția dvs. fizică vă permit să rezistați în condiții de siguranță la toate forțele asociate lucrului la înălțime. Consultați medicul dacă aveți întrebări despre capacitatea dvs. de a folosi acest echipament.
 - Nu depășiți niciodată capacitatea permisă a echipamentului dvs. de protecție împotriva căderii.
 - Nu depășiți niciodată distanța maximă de cădere liberă a echipamentului dvs. de protecție împotriva căderii.
 - Nu folosiți echipamente de protecție împotriva căderii care nu au trecut cu succes inspecția anterioară utilizării sau alte inspecții programate sau dacă aveți suspiciuni privind utilizarea sau adecvarea echipamentului pentru activitatea dvs. Pentru orice întrebări, adresați-vă Serviciului tehnic 3M.
 - Unele combinații de subsisteme și componente pot interfera cu funcționarea acestui echipament. Folosiți numai elemente de conectare compatibile. Consultați-vă cu specialiștii 3M înainte de a folosi acest echipament în combinație cu alte componente sau subsisteme decât cele descrise în Instrucțiunile pentru utilizator.
 - Aplicați măsuri de precauție suplimentare atunci când lucrați în preajma mașinilor aflate în mișcare (de ex. mecanismul superior de acționare a sondelor de petrol), în condiții de pericol electric sau chimic, la temperaturi extreme, în apropiere de gaze explozive sau toxice, lângă muchii ascuțite sau sub materiale suspendate care ar putea cădea pe dvs. sau pe echipamentul dvs. de protecție împotriva căderii.
 - Folosiți dispozitive cu arc electric sau dispozitive pentru lucrul la cald atunci când lucrați în medii cu temperaturi foarte ridicate.
 - Evitați suprafețele și obiectele care pot vătăma utilizatorul sau avaria echipamentul.
 - Atunci când lucrați la înălțime, asigurați-vă că există un interval adecvat de siguranță la cădere.
 - Nu modificați și nu transformați niciodată echipamentul dvs. de protecție împotriva căderii. Doar 3M sau persoanele autorizate în scris de 3M pot efectua reparații la acest echipament.
 - Înainte de utilizarea unui echipament de protecție împotriva căderii, asigurați-vă că s-a instituit un plan de salvare, care permite salvarea promptă în cazul în care are loc un eveniment de cădere.
 - Dacă are loc o cădere, apelați imediat la serviciile de asistență medicală pentru persoana care a căzut.
 - Nu folosiți o centură de corp pentru activitățile care cer oprirea căderii. Folosiți numai o centură complexă de siguranță pentru întregul corp.
 - Reduceți riscul de cădere cu balans lucrând cât mai direct posibil sub punctul de ancorare.
 - Dacă exersați utilizarea acestui dispozitiv, trebuie să utilizați un sistem secundar de protecție împotriva căderii, într-un mod care să nu expună persoana care exersează la un pericol de cădere neintenționat.
 - Purtați întotdeauna echipamentele adecvate de protecție individuală atunci când instalați, utilizați sau inspectați dispozitivul/sistemul.

Înainte de utilizarea acestui echipament, înregistrați informațiile de identificare a produsului de pe eticheta de identificare din „Jurnalul de inspecție și întreținere” de la finalul acestui manual.

Asigurați-vă întotdeauna că utilizați cea mai recentă versiune revizuită a manualului de instrucțiuni 3M. Pentru manuale de instrucțiuni actualizate, accesați site-ul 3M sau contactați serviciile tehnice 3M.

DESCRIERE

Figura 1 definește modelele de centuri complexe de siguranță pentru întregul corp 3M™ Protecta® disponibile. Modelele de centuri complexe de siguranță sunt disponibile cu diferite combinații ale următoarelor caracteristici:

	Figura 1 Referință:	Descriere:
Dimensiuni	S, M/L, XL	Mic, Mediu/Mare, Foarte mare
	Ⓑ	Dimensiunea centurii în cm
Elemente de prindere	①	Inel-D dorsal
	②	Inel-D sternal
	③	Inele-D pentru șolduri
	④	Element de prindere pentru umeri
Cataramे	⑤	Cataramे cu închidere rapidă
	⑥	Cataramе cu intersectare
Dispozitive de reglare	⑦	Dispozitive de reglare a poziției trunchiului pentru parașută
Dubluri	⑧	Centură și dublură pentru șolduri
	⑨	Dublură pentru picioare
Caracteristici suplimentare	⑩	Sisteme de ghidare a centurii cu auto-setare pentru desprindere
	⑪	Gestionarea capătului sistemului de chingi - Consultați Figura 11
	⑫	Cureaua de salvare
	⑬	Instrument bucla

SPECIFICAȚII

Performanță:	
Forța maximă de oprire:	6 kN (1 349 lbf)
Capacitate:	140 kg (310 lb.)
Temperatură de lucru:	Minim: -35 °C (-31 °F) Maxim: +57 °C (135 °F)

Material:	
Sistemul de chingi	Poliester – 22 kN (4 946 lbf) Rezistență la tracțiune
Acoperiri căptușeli	Amestec de nailon și poliester
Învelitoare etichetă	Amestec de nailon și poliester
Fir	Fir din poliester la sistemul de chingi din poliester
Inele-D	Aliaj de oțel – 22 kN (4 946 lbf) Rezistență la tracțiune
Cataramе cu închidere rapidă	Oțel, oțel inoxidabil și aliaj de oțel - 18 kN (4 047 lbf) Rezistență la tracțiune
Cataramе pentru reglarea chingilor	Aliaj de oțel - 18 kN (4 047 lbf) Rezistență la tracțiune
Dispozitive de reglare a poziției trunchiului pentru parașută	Aliaj de oțel - 18 kN (4 047 lbf) Rezistență la tracțiune

1.0 APLICAȚII

1.1 SCOP: Centurile complexe de siguranță pentru întregul corp vor fi utilizate drept componente în sistemul de protecție individuală împotriva căderii, conceput pentru a preveni căderea sau pentru a opri căderea în siguranță (consultați Figura 2). Centurile complexe de siguranță sunt utilizate în următoarele aplicații:

(A)	Oprirea căderii (EN360, EN361, EN355): Sistemele individuale de blocare a căderii includ de regulă o centură complexă de siguranță pentru întregul corp (corzi cu absorbant de șoc, dispozitiv cu rapel automat etc.). Forța maximă de oprire nu trebuie să depășească 6 kN (1 349 lbf). <i>Putere de ancorare:</i> Elementul de ancorare selectat trebuie să susțină sarcini de 12 kN (2 698 lbf) sau mai mari.
(B)	Poziționare în timpul lucrului (EN358, EN813): Sistemele de poziționare în timpul lucrului includ de regulă o centură complexă de siguranță pentru întregul corp, o frânghie de poziționare și un sistem individual de oprire a căderii de rezervă. Pentru aplicațiile de poziționare în timpul lucrului, conectați subsistemul de poziționare în timpul lucrului (exemplu: coarda, coarda-Y etc.) în partea inferioară (la nivelul șoldului) sau la elementele de ancorare ale elementului de fixare a poziției în timpul lucrului (inelele-D). Nu utilizați niciodată aceste puncte de conectare pentru oprirea căderii. <i>Elemente de prindere:</i> Frontal, șold. <i>Putere de ancorare:</i> Elementul de ancorare selectat trebuie să susțină sarcini de 12 kN (2 698 lbf) sau mai mari.
(C)	Cățărare (EN353-1): Centura complexă de siguranță pentru întregul corp este utilizată ca o componentă a unui sistem de cățărare pentru a împiedica căderea utilizatorului atunci când se urcă sau pe o scară sau pe o altă structură de cățărare. Sistemele de cățărare includ de regulă o centură complexă de siguranță pentru întregul corp, un cablu vertical sau o șină prinsă de structură și manșonul de cățărare. Pentru aplicațiile de urcare pe scară, centurile complexe de siguranță dotate cu un inel-D frontal în amplasare sternală pot fi folosite pentru oprirea căderii pe sistemele de cățărare cu scară fixă. <i>Elemente de prindere:</i> Sternal. <i>Putere de ancorare:</i> Structura de care este prins sistemul de cățărare trebuie să susțină sarcinile prevăzute de documentația producătorului sistemului de cățărare.
(D)	Salvare (EN1496, EN1497, EN1498): Centura complexă de siguranță pentru întregul corp este utilizată ca o componentă a unui sistem de salvare. Sistemele de salvare sunt configurate în funcție de tipul de salvare. Pentru aplicații cu acces limitat (spațiu închis), centurile complexe de siguranță dotate cu inele-D pe umeri pot fi utilizate pentru intrarea în și ieșirea din spații închise în care profilul lucrătorului este o problemă. <i>Elemente de prindere:</i> Dorsal, sternal, frontal, umăr. <i>Putere de ancorare:</i> Elementul de ancorare selectat trebuie să susțină sarcini de 12 kN (2 698 lbf) sau mai mari.
(E)	Coborâre controlată (EN341): Pentru aplicațiile de coborâre controlată, pot fi utilizate centuri complexe de siguranță dotate cu un singur inel-D la nivel sternal, unul sau două inele-D montate frontal sau o pereche de conectori care pornesc de sub talie (cum ar fi un scaun suspendat) pentru conectarea la un sistem de coborâre sau de evacuare. <i>Elemente de prindere:</i> Dorsal sternal, frontal. <i>Putere de ancorare:</i> Elementele de ancorare selectate trebuie să susțină sarcini de 12 kN (2 698 lbf) sau mai mari.
(F)	Reținere (EN354): Centura complexă de siguranță pentru întregul corp este utilizată ca o componentă a unui sistem de reținere pentru a împiedica utilizatorul să ajungă la un pericol de cădere. Sistemele de reținere includ de regulă o centură complexă de siguranță pentru întregul corp și o coardă sau o linie de reținere. <i>Elemente de prindere:</i> Dorsal sternal, frontal, șold. <i>Putere de ancorare:</i> Elementul de ancorare selectat trebuie să susțină sarcini cel puțin 18 kN (4 047 lbf) atunci când lanțurile includ orice material textil sau elemente de șnur de textile, de ex. sfoara din fibre sintetice sau chingi. Când sunt folosite lăntișoare realizate în întregime din elemente metalice, ancorajul trebuie să suporte sarcini de cel puțin 12 kN (2 698 lbf).

1.2 STANDARDE: Centurile complexe de siguranță incluse în acest manual sunt în conformitate cu standardul (standardele) identificat(e) pe coperta față a acestor instrucțiuni. Dacă acest produs este revândut în exteriorul țării originale de destinație, distribuitorul trebuie să pună la dispoziție aceste instrucțiuni în limba țării în care se va folosi produsul.

1.3 FORMARE: Este responsabilitatea utilizatorului și a cumpărătorului acestui echipament să se asigure că sunt familiarizați cu aceste instrucțiuni, că sunt instruiți cu privire la grija convenită și la utilizare și că sunt familiarizați cu caracteristicile de funcționare, cu limitele de aplicabilitate și cu consecințele utilizării incorecte a acestui echipament.

1.4 LIMITĂRI: Luați întotdeauna în considerare următoarele limite de aplicare înainte de utilizarea acestui echipament:

- **CAPACITATE:** Centura complexă de siguranță pentru întregul corp este concepută pentru a fi utilizată de persoane cu o greutate combinată (îmbrăcăminte, unelte etc.) de cel mult 140 kg (309 lb.). Asigurați-vă că toate componentele sistemului dvs. au o capacitate nominală corespunzătoare aplicației dvs.
- **CĂDERE LIBERĂ:** Un sistem de oprire la cădere include elemente sau funcții de absorbție a energiei pentru a se asigura că forțele de impact asupra corpului utilizatorului în timpul opririi unei căderi libere sunt limitate la maximum 6 kN (1 349 lbf). Sistemele de reținere trebuie montate astfel încât să nu fie posibilă nicio cădere liberă verticală. Sistemele de poziționare în timpul lucrului trebuie să fie montate astfel încât căderea liberă să fie limitată la 60 cm (24 in.) sau mai puțin. Sistemele de ridicare a personalului trebuie montate astfel încât să nu fie posibilă nicio cădere liberă verticală. Sistemele de salvare trebuie montate astfel încât să nu fie posibilă nicio cădere liberă verticală. Consultați instrucțiunile producătorului pentru informații suplimentare.
- **INTERVAL DE SIGURANȚĂ LA CĂDERE:** Figura 3 ilustrează componentele unui sistem de oprire a căderii. Trebuie să existe un interval de siguranță la cădere (FC) suficient pentru a opri o cădere înainte ca utilizatorul să lovească solul sau alte obstacole. Intervalul de siguranță este afectat de o serie de factori, printre care: (A) Lungimea corzilor, (B) distanța de decelerare a corzii sau distanța maximă de oprire SRD, (C) întinderea centurii complexe de siguranță și lungimea și setarea inelului-D/conectorului (de regulă un factor de siguranță de 0,5 m (1,6 ft.)). Consultați instrucțiunile furnizate împreună cu coarda sau cu dispozitivul dvs. cu rapel automat pentru specificațiile privind calculul intervalului de siguranță.
- **CĂDERI CU BALANS:** Căderile cu balans au loc atunci când punctul de ancorare nu este direct deasupra punctului în care are loc o cădere (consultați Figura 4). Forța de lovire a unui obiect într-o cădere cu balans poate provoca vătămări grave sau decesul. Reduceți riscul de cădere cu balans lucrând cât mai direct posibil sub punctul de ancorare. Nu permiteți o cădere cu balans, dacă există posibilitatea de vătămare. Căderile cu balans vor crește în mod semnificativ intervalul de siguranță necesar atunci când se utilizează un dispozitiv cu rapel automat sau alt subsistem de conectare cu lungime variabilă.
- **SUSPENDARE PRELUNGITĂ ȘI TRAUMATISME ÎN SUSPENSIE:** O centură complexă de siguranță pentru întregul corp nu este destinată utilizării în aplicațiile de suspendare prelungită. Suspendarea prelungită poate provoca traumatisme în suspensie. Dacă utilizatorul urmează să fie suspendat pentru o perioadă mai lungă de timp, se recomandă utilizarea unui tip de suport pentru șezut. 3M recomandă o placă de șezut, un scaun de lucru pentru suspendare, un scaun suspendat sau un scaun de boțman. Contactați 3M pentru informații suplimentare despre aceste articole.
- **PERICOLE PENTRU MEDIUL ÎNCONJURĂTOR:** Utilizarea acestui echipament în zone cu pericole ecologice poate impune măsuri de precauție suplimentare pentru a preveni vătămarea utilizatorului sau deteriorarea echipamentului. Pericolele pot include, fără a se limita la acestea: căldură, substanțe chimice, medii corozive, cabluri electrice de înaltă tensiune, gaze, utilaje mobile și margini ascuțite.
- **CENTURI COMPLEXE DE SIGURANȚĂ PENTRU MEDII CU TEMPERATURI RIDICATE:** Centurile complexe de siguranță cu sistem de chingi Kevlar sunt concepute pentru utilizarea în medii cu temperaturi ridicate, cu

limitări: Sistemul de chingi Kevlar începe să ardă ușor la temperaturi cuprinse între 425 - 480 °C (800 - 900 °F). Sistemul de chingi Kevlar poate rezista la o expunere limitată de contact la temperaturi de până la 535 °C (1 000 °F). Sistemul de chingi din poliester își pierde rezistența la temperaturi cuprinse între 145 - 200 °C (300 - 400 °F). Stratul de acoperire din PVC de pe elemente are un punct de topire de aproximativ 175 °C (350 °F).

Deși elementele acoperite cu PVC și placate cu zinc prezintă o rezistență excelentă la coroziune în condiții chimice, acide, alcaline și atmosferice, pot fi necesare inspecții frecvente. Consultați-vă cu 3M dacă aveți îndoieli cu privire la utilizarea acestui echipament în medii periculoase.

2.0 UTILIZAREA SISTEMULUI

2.1 PLAN DE SALVARE: Atunci când se utilizează acest echipament conectând unul sau mai multe subsisteme, angajatorul trebuie să dețină un plan de salvare și să aibă la îndemână mijloace pentru implementarea și comunicarea planului respectiv utilizatorilor¹, persoanelor autorizate² și salvatorilor³.

2.2 FRECVENȚA DE INSPECTARE: Centura complexă de siguranță pentru întregul corp va fi supusă inspecției de către utilizator înainte de fiecare utilizare și de către o persoană competentă⁴, alta decât utilizatorul, la intervale de cel mult o dată pe an⁵. Procedurile de inspecție sunt descrise în „*Jurnalul de inspecții și întreținere*” din *Manualul de instrucțiuni de utilizare*. Rezultatele fiecărei inspecții realizate de o persoană competentă trebuie înregistrate în copiile din „*Jurnalul de inspecții și întreținere*” sau urmărite cu sistemul de identificare prin frecvență radio (consultați secțiunea „*Inspecție*”).

Atunci când acest lucru este cerut de 3M, ca urmare a complexității sau inovației echipamentului; sau atunci când sunt necesare cunoștințe critice pentru demontarea, reasamblarea sau evaluarea echipamentului, examinările periodice vor fi realizate numai de 3M sau de persoane sau organizații autorizate de 3M.

2.3 COMPATIBILITATEA COMPONENTELOR: Echipamentul 3M este conceput pentru a fi utilizat exclusiv împreună cu componentele și subsistemele 3M aprobate. Substituirile sau înlocuirile realizate cu componente sau subsisteme neaprobate pot afecta compatibilitatea echipamentului și siguranța și fiabilitatea întregului sistem.

2.4 COMPATIBILITATEA CONECTORILOR: Conectorii sunt compatibili cu elementele de conectare atunci când aceștia au fost concepuți să funcționeze împreună astfel încât dimensiunile și formele acestora să nu determine deschiderea accidentală a mecanismelor de închidere ale acestora, indiferent de modul în care vor ajunge să fie orientate. Contactați 3M dacă aveți întrebări cu privire la compatibilitate. Conectorii (cârligele, carabinerele și inelele-D) trebuie să fie în măsură să susțină cel puțin 22 kN (4 946 lbf). Conectorii trebuie să fie compatibili cu elementul de ancorare sau cu alte componente ale sistemului. Nu utilizați echipamente care nu sunt compatibile. Elementele de prindere incompatibile pot să se desprindă în mod accidental (Consultați Figura 5). Elementele de prindere trebuie să fie compatibile ca dimensiune, formă și rezistență. Dacă elementul de conectare de care este prins un inel de siguranță (ilustrat) sau o carabinieră este subdimensionat sau cu forme neregulate, poate apărea o situație în care elementul de conectare aplică o forță asupra închizătorii inelului de siguranță sau a carabinerei. Această forță poate determina deschiderea închizătorii, permițând inelului de siguranță cu cârlig sau carabinierii să se desprindă din punctul de conectare. Sunt necesare inele de siguranță și carabiniere autoblocante.

2.5 EFECTUAREA CONEXIUNILOR: Utilizați doar inele de siguranță cu cârlig și carabiniere autoblocante cu acest echipament. Utilizați numai conectori care sunt potriviți pentru fiecare aplicație. Asigurați-vă că toți conectorii sunt compatibili în ceea ce privește dimensiunea, forma și puterea. Nu utilizați echipamente care nu sunt compatibile. Asigurați-vă că toți conectorii sunt complet închiși și blocați.

Conectorii 3M (inelele de siguranță cu cârlig și carabinierele) sunt concepuți pentru a fi utilizați numai în conformitate cu instrucțiunile de utilizare specificate pentru fiecare produs. Consultați Figura 6 pentru conectori neadecvați. Inelele de siguranță cu cârlig și carabinierele 3M nu trebuie conectate:

- A. La un inel-D la care este conectat un alt conector.
- B. Într-un mod în care ar putea duce la exercitarea unei sarcini pe dispozitivul de închidere.
- C. Într-o cuplare falsă în care elementele care ies în afara inelului de siguranță cu cârlig sau a carabinierii agață punctele de ancorare și fără confirmare vizuală pare să fie perfect cuplată în punctul de ancorare.
- D. Una de cealaltă.
- E. Direct de sistemul de chingi sau de coarda din frânghie sau de tirant (cu excepția cazului în care instrucțiunile producătorului atât pentru coardă, cât și pentru conector permit în mod specific o astfel de conectare).
- F. De orice obiect care are o formă sau o dimensiune de așa natură încât inelul de siguranță cu cârlig sau carabiniera să nu se închidă și să se blocheze sau să existe posibilitatea de desfacere.
- G. Într-o modalitate care nu permite conectorului să se alinieze în mod corespunzător în timp ce este sub sarcină.

2.6 CONECTAREA SUBSISTEMELOR: Conectarea subsistemelor (linia vieții cu rapel automat, coarda, culisorul de siguranță și linia vieții, manșonul de cablu etc.) trebuie să fie adecvată pentru aplicația dvs. (Consultați secțiunea 1.1). Consultați instrucțiunile producătorului subsistemului pentru informații suplimentare. Unele modele de centuri complexe de siguranță au puncte de conectare cu bucle de chingi. Nu utilizați inele de siguranță cu cârlig pentru conectarea buclele de chingi. Utilizați o carabinieră autoblocantă pentru conectarea la buclele de chingi. Asigurați-vă că nu este posibilă aplicarea sarcinii de-a lungul închizătorii de către carabinieră (sarcină aplicată pe închizătoare mai degrabă decât de-a lungul axei principale a carabinierii). Anumite corzi sunt concepute să blocheze bucla de chingă astfel încât să asigure o conectare compatibilă. Corzile pot fi cusute direct de bucla de chingă pentru a forma o conectare permanentă. Nu efectuați mai multe conectări pe o buclă de chingă, cu excepția cazului în care blocați două corzi într-o buclă de chingă de dimensiuni adecvate. Pentru a bloca o coardă pe o buclă de chingă (Figura 7): A) Introduceți bucla de chingă a corzii prin bucla de chingă sau prin inelul-D de pe centura complexă de siguranță. B) Introduceți capătul corespunzător al corzii prin buclă de chingă a corzii. C) Trageți coarda prin buclă de chingă de conectare pentru fixare.

2.7 POZIȚIONAREA CORZILOR: Figura 8 ilustrează poziționarea corzilor. Elementul de prindere pentru poziționarea corzilor este pentru prinderea capătului liber al unei corzi sau al unei centuri complexe de siguranță montată pe un dispozitiv cu rapel automat atunci când nu este conectat la un punct de conectare pentru ancorare în scopul protecției la cădere. Elementele de prindere pentru poziționarea corzilor nu trebuie utilizate niciodată ca elemente de prindere pentru protecția la cădere pe centura complexă de siguranță pentru conectarea unei corzi sau a unui dispozitiv cu rapel automat (A).

Atunci când nu este conectată la un punct de conectare pentru ancorare, o bretea de coardă trebuie poziționată în mod corespunzător pe centura complexă de siguranță (B) sau securizată în mâna utilizatorului ca în aplicațiile de legătură 100% (Tie-Off) (C). Bretele corzii care atarnă liber (D) pot împiedica utilizatorul sau se pot agața de obiecte din jur, provocând căderea.

1 Utilizator: O persoană care desfășoară activități la înălțime în timp ce este protejată de un sistem individual de protecție la cădere.

2 Persoană autorizată: O persoană desemnată de angajator pentru desfășurarea atribuțiilor sale într-un loc în care persoana va fi expusă la un pericol de cădere.

3 Salvator: Persoana sau persoanele diferite de subiectul operațiunii de salvare care efectuează o salvare asistată cu ajutorul unui sistem de salvare.

4 Persoană competentă: Cineva care este în măsură să identifice pericolele existente și predictibile în zona din împrejurimi sau condițiile de muncă necorespunzătoare, insalubre, periculoase sau riscante pentru angajați și care are autorizarea de a lua măsuri corective prompte pentru eliminarea acestora.

5 Frecvența de inspecție: Condițiile dificile de lucru (mediu dur de lucru, utilizare îndelungată etc.) pot impune sporirea frecvenței verificărilor realizate de persoana competentă.

3.0 UTILIZAREA CENTURILOR COMPLEXE DE SIGURANȚĂ

3.1 ÎNAINTE DE FIECARE UTILIZARE a acestor echipamente, examinați-le în conformitate cu „Jurnalul de inspecție și întreținere” (Tabelul 1).

3.2 PLANIFICAȚI sistemul dvs. înainte de utilizare. Luați în considerare toți factorii care vă vor afecta siguranța pe parcursul utilizării acestui echipament. Lista următoare prezintă puncte importante de luat în considerare atunci când planificați sistemul dvs.:

- **Ancorare:** Selectați un tip de ancorare în măsură să susțină cerințele privind sarcina statică ale aplicației de protecție împotriva căderii avută în vedere (consultați Secțiunea 1.1.). Locul de ancorare trebuie să fie ales în concordanță cu limitările privind căderea liberă, intervalul de siguranță la cădere, căderea cu balans și mediul descrise în Secțiunea 1.4.
- **Muchii ascuțiți:** Evitați utilizarea în cazul în care componentele sistemului pot intra în contact sau se pot freca de muchii ascuțiți neprotejate.
- **După o cădere:** Componentele care au fost supuse unor forțe de oprire a căderii trebuie retrase din serviciu și distruse.
- **Salvare:** Angajatorul trebuie să aibă un plan de salvare atunci când utilizează acest echipament. Angajatorul trebuie să aibă posibilitatea de a realiza salvarea cu rapiditate și în siguranță.
- **Centura complexă de siguranță pentru salvare:** Centurile complexe de siguranță pentru salvare (EN1497) sunt destinate purtării în timpul activităților obișnuite de lucru. Înainte de prima utilizare a elementelor de prindere pentru salvare, utilizatorul trebuie să efectueze un test de suspendare în condiții de siguranță, pentru a se asigura că centura complexă de siguranță este dimensionată și montată pentru un confort optim în timpul suspendării.
- **Poziționarea în timpul lucrului:** Întotdeauna luați în considerare necesitatea utilizării unui sistem individual de protecție împotriva căderilor de la înălțime (de exemplu, un sistem de oprire a căderilor) atunci când utilizați un sistem de poziționare în timpul lucrului. Utilizați întotdeauna un punct de ancorare poziționat la sau peste nivelul taliei.

3.3 CATARAME: Centurile complexe de siguranță pentru întregul corp sunt echipate cu diverse catarame pentru fixarea și reglarea chingilor pentru picioare și a chingilor pentru piept. Centurile de corp ale centurilor complexe de siguranță au o cataramă cu limbă. Consultați Figura 1 pentru tipurile de catarame de pe centura complexă de siguranță pe care o dețineți dvs. Figura 9 ilustrează funcționarea fiecăreia dintre următoarele catarame:

1. Catarama cu închidere rapidă:

- A. Pentru a fixa catarama cu închidere rapidă, introduceți agățătoarea în receptor până se aude un clic.
- B. Pentru a regla centura pentru sistemul de chingi: Trageți centura pentru sistemul de chingi înainte sau înapoi prin fanta cataramei pentru a o strânge sau a o slăbi.
- C. Pentru a elibera catarama cu închidere rapidă: Apăsați pe mânerul de blocare de pe fiecare laterală a receptorului. Trageți de agățătoarea receptorului.

2. Catarama cu intersecție:

- A. Introduceți catarama tată prin fanta din catarama mamă.
- B. Strângeți chinga rămasă liberă, astfel încât catarama tată să se așeze perfect pe catarama mamă. Securizați chinga rămasă liberă în suportul chingii.

3.4 REGLAJE: Centurile complexe de siguranță sunt echipate cu o pereche de dispozitive de reglare a poziției trunchiului pentru reglarea chingilor pentru umeri. Figura 10 ilustrează reglarea dispozitivelor de reglare a poziției trunchiului:

1. Dispozitive de reglare a poziției trunchiului pentru parașută: Pentru a regla chingile pentru umeri cu dispozitivele de reglare a poziției trunchiului pentru parașută:

- A. Trageți de chinga rămasă liberă pentru a strânge chinga pentru umeri. Pentru a slăbi chinga pentru umeri, trageți de chinga rămasă liberă și apoi treceți chinga înapoi prin dispozitivul de reglare a parașutei.
- B. După reglarea corespunzătoare, securizați chinga rămasă liberă în suportul chingii.

Dacă este prezentă gestionarea capătului de bandă velcro (a se vedea figura 11), trageți înapoi cureaua liberă până când este strânsă (A), îmbinați fâșiile velcro înapoi pe curea și fixați dungile (B). Asigurați-vă că rola este strânsă și că suportul curelei este deplasat aproape de rola (C).

3.5 ÎMBRĂCAREA ȘI FIXAREA CENTURII COMPLEXE DE SIGURANȚĂ PENTRU ÎNTREGUL CORP: Figura 13 ilustrează îmbrăcarea și fixarea centurii complexe de siguranță pentru întregul corp. Înainte de fiecare utilizare, examinați centura complexă de siguranță conform listei de verificare din „Jurnalul de inspecție și întreținere (Tabelul 1)”. Pentru a îmbrăca și fixa centura complexă de siguranță:

Procedurile pentru introducerea în cataramă și reglarea chingilor de pe centura dvs. complexă de siguranță vor varia în funcție de modelul centurii complexe de siguranță. Consultați Secțiunile 3.3 – 3.4 și Figurile 9 – 10 pentru detalii.

1. Ridicați și țineți centura complexă de siguranță de inelul-D dorsal din spate. Asigurați-vă că chingile nu sunt răsucite.
2. Apucați chingile pentru umeri și trageți centura complexă de siguranță pe un braț. Inelul-D dorsal va fi poziționat în partea din spate. Asigurați-vă că chingile nu sunt încurcate și că atâră liber. Introduceți brațul liber în centura complexă de siguranță și poziționați chingile pentru umeri deasupra umerilor. Chinga pentru piept și catarama pentru piept vor fi poziționate în partea din față atunci când centura este purtată în mod corespunzător.
3. Întindeți-vă între picioare și apucați chinga pentru picioare de partea dreaptă. Aduceți chinga în sus printre picioare, prindeți-o în catarama aferentă de pe șoldul drept și reglați chinga pentru picioare pentru o fixare confortabilă optimă (consultați Secțiunea 3.3. pentru funcționarea cataramelor). După reglarea corespunzătoare, îndoiți capătul liber din chinga pentru picioare sub suportul chingii.
Repetăți acest proces pentru a prinde în cataramă și a regla chinga pentru piciorul stâng.
4. Reglați catarama și chinga pentru talie cu cataramă cu limbă, dacă este prezentă. (consultați Secțiunea 3.3. pentru funcționarea cataramei cu limbă).

5. Prindeți în cataramă și reglați chinga pentru piept (consultați Secțiunea 3.3. pentru funcționarea cataramii). Chinga pentru piept trebuie să se afle la 115 cm (6 in) mai jos de partea superioară a umerilor. După reglarea corespunzătoare, îndoiți capătul liber din chinga pentru piept sub suportul chingii.
6. Reglați chingile pentru umeri pentru fixare optimă cu dispozitivele de reglare a poziției trunchiului (consultați Secțiunea 3.4 pentru funcționarea dispozitivelor de reglare a poziției trunchiului). Laturile stângi și drepte ale chingilor trebuie să fie reglate la aceeași lungime, iar chinga pentru piept trebuie să fie în poziție centrală pe partea inferioară a pieptului, la 15 cm (6 in) mai jos de umeri. Inelul-D dorsal din spate trebuie să fie în poziție centrală între omoplați. Inelul-D sternal frontal, dacă este prezent, trebuie să fie poziționat lateral, la 5 cm (2 in) de linia centrală verticală a centurii complexe de siguranță.

Verificați periodic elementele de fixare și reglare în timpul utilizării

3.6 UTILIZAREA INELULUI-D PENTRU OPRIREA CĂDERII SAU A ELEMENTULUI DE PRINDERE: Punctele de ancorare pentru oprirea căderii sunt marcate cu majuscule "A". Pentru aplicațiile de oprire a căderii, faceți legătura cu inelul-D dorsal sau cu elementul de prindere de pe spate, între omoplați, sau elementul de atașare a inelului D din inelul de pe piept. Inelele-D laterale, dacă sunt prezente, sunt doar pentru aplicații de poziționare sau reținere. Elementele de prindere pentru umeri sunt doar pentru aplicații de salvare sau retragere. Inelul-D sternal frontal este pentru urcarea pe scară sau poziționare. Inelele-D de pe un scaun cu suspensie sunt doar pentru aplicațiile de susținere sau poziționare. (Consultați Secțiunea 1.1.).

3.7 EFECTUAREA CONEXIUNILOR: Atunci când utilizați un inel de siguranță pentru a vă conecta la un element de ancorare sau când cuplați componente ale sistemului împreună, asigurați-vă că nu poate interveni desfacerea acestora. Desfacerea are loc atunci când interferența dintre inelul de siguranță și conectorul de îmbinare determină deschiderea și eliberarea neintenționată a dispozitivului de închidere a inelului de siguranță. Pentru a reduce posibilitatea deschiderii trebuie utilizate inele de siguranță cu cârlig și carabiniere autoblocante. Nu utilizați inele de siguranță sau conectori care nu se vor închide complet peste obiectul de prindere. Consultați instrucțiunile producătorului subsistemului pentru informații suplimentare referitoare la efectuarea conexiunilor.

3.8 CONECTAREA COMPONENTELOR SISTEMULUI: După montarea centurii complexe de siguranță, utilizatorul se poate conecta apoi la alte componente ale sistemului. Urmați recomandările din Secțiunea 2 și instrucțiunile producătorului furnizate împreună cu componenta.

4.0 INSPECȚIE

4.1 FRECVENȚA DE INSPECTARE: Centura complexă de siguranță pentru întregul corp trebuie examinată la intervalele definite în Secțiunea 2.2. Procedurile de inspecție sunt descrise în „Jurnalul de inspecție și întreținere” (Tabelul 1).

4.2 DEFECTE: Dacă inspecția identifică o stare de defecțiune, scoateți centura complexă de siguranță din uz și distrugeți-o imediat.

4.3 DURATA DE UTILIZARE A PRODUSULUI: Durata de funcționare a centurilor complexe de siguranță este determinată de condițiile de lucru și de întreținere. Perioada de funcționare maximă poate varia între 1 an pentru utilizare intensivă în condiții extreme și 10 ani pentru utilizare ușoară în condiții puțin solicitante. Câtă vreme produsul respectă criteriile de inspecție, acesta poate rămâne în uz până la maximum 10 ani.

5.0 ÎNTREȚINERE, REPARAȚII, DEPOZITARE

Nu curățați sau dezinfecțați produsul prin alte metode decât cele descrise în instrucțiunile de curățare următoare. Alte metode pot avea efecte adverse asupra produsului sau utilizatorului.

5.1 CURĂȚARE: Hamurile de siguranță pentru întregul corp 3M trebuie curățate în conformitate cu instrucțiunile 3M. Pentru a curăța hamul, spălați-l cu un detergent blând, fără înălbitor și apoi clătiți-l. După aceea, hamul trebuie agățat la uscat la aer. Apa folosită pentru curățare și temperatura la care se usucă la aer nu trebuie să depășească 130°F (54,4°C). Pentru mai multe informații, vă rugăm să consultați buletinul tehnic de pe site-ul nostru web: <http://www.3M.com/FallProtection/WebCleaning>

Pentru orice întrebări cu privire la procedurile de curățare, vă rugăm să contactați serviciile tehnice 3M.

5.2 SERVICE: Centurile complexe de siguranță pentru întregul corp nu pot fi reparate. În cazul în care centura complexă de siguranță a fost supusă forței de cădere sau inspecția identifică o condiție nesigură sau o stare de defecțiune, scoateți centura complexă de siguranță din uz și distrugeți-o imediat.

5.3 DEPOZITARE ȘI TRANSPORT: Depozitați și transportați centura complexă de siguranță pentru întregul corp într-un mediu răcoros, uscat și curat, ferit de lumina directă a soarelui. Evitați zonele în care pot exista vapori de substanțe chimice. După o depozitare îndelungată, inspecțiați centura complexă de siguranță cu atenție.

6.0 ETICHETARE

Figura 14 ilustrează etichetele produsului și localizarea acestora pe centura complexă de siguranță pentru întregul corp. Toate etichetele trebuie să fie prezente și perfect lizibile. Informațiile de pe fiecare etichetă sunt următoarele:

1	(A) Punct de ancorare pentru arestul de cădere, marcat cu majuscule "A" (B) Locația etichetei
2	(A) Jurnalul de inspecții (B) Numărul de serie (C) Inițiala (D) Data (E) Nu îndepărtați această etichetă.
3	(A) Eticheta cu informații pentru utilizator
4	(A) Numărul de serie (B) Luna de fabricație (C) Anul de fabricație (D) Numărul lotului (E) Număr de model (F) Standardul european (G) Capacitatea (H) Dimensiunea (I) Consultați instrucțiunile (J) Marcajul CE (K) Numărul Organismului notificat care a realizat conformitatea de tip (L) Dimensiunea centurii

Prosím, pred použitím tohto celotelového postroja si prečítajte, pochopte a dodržiavajte všetky bezpečnostné informácie, ktoré sú zahrnuté v tomto návode. V OPAČNOM PRÍPADE BY TO MOHLO MAŤ ZA NÁSLEDOK VÁŽNE ZRANENIE ALEBO SMŔŤ.

Tieto pokyny musia sa musia dodať užívateľovi tohto zariadenia. Tieto si pokyny ponechajte ako referenciu pre budúcnosť.

Účel použitia:

Tento celotelový postroj je určený na to, aby sa používal ako súčasť celého systému osobnej prevencie proti pádu.

Akékoľvek iné využívanie zariadenia vrátane, ale bez obmedzenia, na manipuláciu s materiálom, na rekreačné alebo na iné činnosti súvisiace so športom alebo na iné činnosti, ktoré nie sú popísané v návode pre užívateľa, nie sú schválené spoločnosťou 3M a mohli by spôsobiť vážne zranenie alebo smrť.

Toto zariadenie sa má používať na pracovisku iba zaškolenými používateľmi.

VAROVANIE

Tento celotelový postroj je súčasťou celého systému osobnej prevencie proti pádu. Očakáva sa, že všetci užívatelia budú plne zaškolení na bezpečnú inštaláciu a na obsluhu ich systému osobnej ochrany proti pádu. **Nesprávne použitie tohto zariadenia by mohlo spôsobiť vážne zranenie alebo smrť.** Co sa týka správneho výberu, obsluhy, inštalácie, údržby a servisu, pozrite si tento návod pre užívateľa vrátane všetkých odporúčaní výrobcu, navštívte vášho vedúceho alebo kontaktujte Technický servis spoločnosti 3M.

- **Na zníženie rizík, ktoré sú spojené s prácou celotelového postroja, ktoré, ak sa im nezabráni, by mohli spôsobiť vážne zranenie alebo smrť:**
 - Pred každým použitím skontrolujte zariadenie minimálne raz ročne a po každom prípade pádu. Skontrolujte ho v súlade s návodom pre užívateľa.
 - Ak sa pri kontrole zistí, že stav zariadenia nie je bezpečný alebo je chybný, zariadenie prestaňte používať a zlikvidujte ho.
 - Akékoľvek zariadenie, ktoré bolo použité na zachytenie pádu alebo čelilo sile dopadu sa musí okamžite prestať používať a musí sa zlikvidovať.
 - Uistite sa, či sa postroj nosí správne, či má správnu veľkosť a či je správne nastavený.
 - Skontrolujte, či sú všetky pripojené podsystémy, (napr. laná), zabezpečené voči všetkým rizikám, okrem iného aj vrátane zamotania sa s ostatnými pracovníkmi, vášho zamotania sa do lán, zamotania sa do pohybujuúcich sa zariadení alebo do iných okolitých predmetov.
 - Zabezpečte, aby systémy/podsystémy na ochranu proti pádu zostavené zo súčastí vyrobených rôznymi výrobcami, boli kompatibilné a aby spĺňali požiadavky príslušných noriem vrátane normy ANSI Z359 alebo iných príslušných predpisov, noriem alebo požiadaviek na ochranu proti pádu. Pred používaním týchto systémov sa vždy poraďte s kompetentnou alebo kvalifikovanou osobou.
- **Na zníženie rizík spojených s prácou vo výškach, ktoré, ak sa tomu nezabráni, by mohli spôsobiť vážne zranenie alebo smrť:**
 - Zabezpečte, aby vám váš zdravotný a fyzický stav umožňoval bezpečne znášať všetky sily spojené s prácou vo výškach. Poradte sa so svojim lekárom, ak máte akékoľvek otázky, ktoré sa týkajú vašej schopnosti používať toto vybavenie.
 - Nikdy neprekračujte povolenú kapacitu vášho ochranného vybavenia.
 - Nikdy neprekračujte maximálnu vzdialenosť voľného pádu vášho ochranného vybavenia proti pádu.
 - Nepoužívajte žiadne ochranné vybavenie proti pádu, ktoré nezodpovedá kontrolám pred použitím alebo iným plánovaným kontrolám alebo ak máte obavy ohľadne používania alebo vhodnosti vybavenia pre vaše použitie. S akýmkoľvek otázkami sa obráťte na oddelenie technického servisu spoločnosti 3M.
 - Niektoré kombinácie podsystémov a dielov môžu zasahovať do prevádzky tohto zariadenia. Používajte iba kompatibilné spojenia. Pri používaní tohto vybavenia v kombinácii s inými komponentmi alebo subsystémami, ktoré nie sú popísané v tomto návode pre užívateľa sa poraďte so spoločnosťou 3M.
 - Pri práci v okolí pohybujuúcich sa strojov, (napr. horného pohonu vrtnej ropnej súpravy), elektrických rizík, extrémnych teplôt, chemických rizík, výbušných alebo toxických plynov, ostrých hrán alebo pod zavesenými predmetmi, ktoré by mohli na vás alebo na vaše ochranné vybavenie proti pádu spadnúť, aplikujte mimoriadne bezpečnostné a preventívne opatrenia.
 - Pri práci v prostredí s vysokými teplotami používajte prostriedky proti elektrickému oblúku (Arc Flash) alebo zariadenia na „horúce práce“ (Hot Works).
 - Vyhýbajte sa povrchom alebo predmetom, ktoré môžu poškodiť užívateľa alebo vybavenie.
 - Pri práci vo výške zabezpečte, aby ste mali adekvátny priestor pre voľný pád.
 - Nikdy neupravujte ani nemeňte vaše ochranné vybavenie proti pádu. Opravy tohto vybavenia môžu vykonávať iba pracovníci spoločnosti 3M alebo strany písomne oprávnené spoločnosťou 3M.
 - Pred použitím ochranného vybavenia proti pádu zabezpečte, aby bol do praxe zavedený plán záchran, ktorý umožní okamžitú záchranu, v prípade, že nastane pád.
 - Ak nastane pád, pre pracovníka, ktorý spadol, okamžite vyhľadajte lekársku pomoc.
 - Telový pás nepoužívajte pri aplikáciách s nebezpečenstvom voľného pádu. Používajte iba celotelové postroje.
 - Minimalizujte riziko výkyvu pri páde tým, že budete pracovať čo najbližšie pod bodom ukotvenia.
 - Pri zaškolení s týmto zariadením sa sekundárny systém ochrany proti pádu musí používať spôsobom, ktorý nevystaví školenú osobu neúmyselnému riziku pádu.
 - Pri inštalácii, používaní alebo kontrole vybavenia/systému noste vždy náležite osobné ochranné prostriedky.

Pred použitím tohto zariadenia zaznamenajte informácie o identifikácii výrobku z identifikačného (ID) štítku do "Protokolu o kontrole a údržbe", vzadu, v tomto návode.

Vždy sa uistite, že používate najnovšiu verziu používateľskej príručky od spoločnosti 3M. Navštívte webovú stránku spoločnosti 3M alebo o aktualizované používateľské príručky požiadajte technický servis spoločnosti 3M.

POPIS

Na Obrázku 1 sú uvedené celotelové postroje 3M™ Protecta®, ktoré sú k dispozícii. Modely postrojov sú k dispozícii s rozličnými kombináciami týchto vlastností:

	Referencia z Obrázku 1:	Popis:
Veľkosti	S, M/L, XL	Malá, Stredná/veľká, Extra veľká
	Ⓑ	Veľkosť pásu v cm
Spojovacie prvky	①	Chrbtový D-krúžok
	②	Hrudný D-krúžok
	③	Bedrový D-krúžok
	④	Ramenné pripojenie
Spony	⑤	Spony s rýchlym pripojením
	⑥	Prechodné spony
Nastavenia	⑦	Trupové nastavenia padáku
Vypchávkky	⑧	Pás a vypchávka bedier
	⑨	Vypchávkky pod nohy
Ďalšie vlastnosti	⑩	Kotvy lana s uvoľnením a automatickým resetom
	⑪	Ovládanie konca tkaného lana - Pozrite si Obrázok 11
	⑫	Záchranný popruh
	⑬	Nástrojová slučka

ŠPECIFIKÁCIE

Výkonnosť:	
Maximálna sila zadržania:	6 kN (1 349 lbf)
Kapacita:	140 kg (310 lb.)
Prevádzková teplota:	Minimálna -35 °C (-31 °F) Maximálna: +57 °C (135 °F)

Materiály:	
Sieťovina	Polyester – pevnosť v tlaku 22 kN (4 946 lbf)
Kryty vypchávkok	Zmes nylonu a polyesteru
Kryt štítku	Zmes nylonu a polyesteru
Vláknno	Polyesterové vlákno na polyesterovej sieťovine
D-krúžky	Zliatinová oceľ – pevnosť v ťahu 22 kN (4 946 lbf)
Spony s rýchlym pripojením	Oceľ, nerezová oceľ a zliatinová oceľ – pevnosť v ťahu 18 kN (4 047 lbf)
Prechodné spony	Zliatinová oceľ – pevnosť v ťahu 18 kN (4 047 lbf)
Padákové trupové nastavenie	Zliatinová oceľ – pevnosť v ťahu 18 kN (4 047 lbf)

1.0 APLIKÁCIE

1.1 ÚČEL: Celotelové postroje sa používajú ako súčasť systémov osobnej ochrany pred pádom, ktoré sú navrhnuté tak, aby zabránili pádu alebo aby mu bezpečne predchádzali, (pozrite si Obrázok 2). Celotelové postroje sa používajú v týchto aplikáciách:

(A)	Ochrana pred pádom (EN 360, EN361, EN355): Osobné systémy ochrany pred pádom zväčša obsahujú celotelový postroj a spojovací podsystem, (lano absorbujúce energiu, samozasúvacie zariadenie atď.). Maximálna sila zdržania nesmie prekročiť 6 kN (1 349 lbf). <i>Sila ukotvenia:</i> Vybrané ukotvenie musí odolať zaťaženiu 12 kN (2 698 lbf) alebo väčšiemu.
(B)	Pracovné polohovanie (EN358, EN813): Systémy pracovného polohovania zväčša obsahujú celotelový postroj, polohovacie lano a záložný osobný systém ochrany pred pádom. Pri použití na pracovné polohovanie pripojte podsystem pracovného polohovania, (napríklad: lano, Y-lano, atď.) k spodnej strane, (na úrovni bedier) alebo prvkom kotviaceho pripájania, na pracovné polohovanie namontovaným na páse (D-krúžky). Tieto pripájacie body nikdy nepoužívajte na ochranu pred pádom. <i>Spojovacie prvky:</i> Predné, bedrové. <i>Sila ukotvenia:</i> Vybrané ukotvenie musí odolať zaťaženiu 12 kN (2 698 lbf) alebo väčšiemu.
(C)	Lezenie (EN353-1): Celotelový postroj sa používa ako súčasť lezeckého systému na to, aby užívateľ predchádzal pádu pri lezení po rebríku alebo po inej konštrukcii. Súčasťou lezeckých systémov je zväčša celotelový postroj, zvislý kábel alebo zábradlie pripojené ku konštrukcii a lezecký rukáv. Pri použití na lezenie po rebríkoch je možné na pevných systémoch lezenia po rebríkoch použiť na ochranu proti pádu postroje vybavené predným D-krúžkom. <i>Spojovacie prvky:</i> Hrudné. <i>Sila ukotvenia:</i> Konštrukcia, ku ktorej je lezecký systém pripojený, musí odolávať zaťaženiam, ktoré sa vyžadujú podľa dokumentácie výrobcu lezeckého systému.
(D)	Záchrana (EN1496, EN1497, EN1498): Celotelový postroj sa používa ako súčasť záchranného systému. Záchranné systémy sú nastavené v závislosti od druhu záchrany. Na použitie s obmedzeným prístupom, (uzavretým priestorom), je možné na vstup a výstup z uzavretých priestorov, pri ktorých je problémom profil pracovníka, použiť postroje vybavené D-krúžkami na ramenách. <i>Spojovacie prvky:</i> Chrbtové, hrudné, predné, ramenné. <i>Sila ukotvenia:</i> Vybrané ukotvenie musí odolať zaťaženiu 12 kN (2 698 lbf) alebo väčšiemu.
(E)	Riadený zostup (EN341): Pri riadenom zostupe je možné na pripojenie k systému zostupu či evakuácie použiť postroje vybavené jedným rovným hrudným D-krúžkom, jedným alebo dvomi prednými namontovanými D-krúžkami alebo párom konektorov, ktoré vychádzajú spod pásu, (ako je sedací remeň). <i>Spojovacie prvky:</i> Chrbtové, hrudné, predné. <i>Sila ukotvenia:</i> Vybrané ukotvenia musia odolať zaťaženiam 12 kN (2 698 lbf) alebo väčším.
(F)	Zadržiavanie (EN354): Celotelový postroj sa používa ako súčasť zadržiavacieho systému, ktorý používateľovi zabraňuje v tom, aby dosiahol nebezpečenstvo pádu. Súčasťou zadržiavacích systémov je zväčša celotelový postroj a lano alebo zadržiavacie lano. <i>Spojovacie prvky:</i> Chrbtové, hrudné, predné, bedrové. <i>Sila ukotvenia:</i> Vybrané ukotvenie musí odolať silám najmenej 18 kN (4 047 lbf), ak sú popruhy vrátane akýchkoľvek textilných materiálov alebo textilných šnúr, napr. laná alebo popruhy zo syntetických vlákien. Keď sa používajú pripojovacie prvky vyrobené výlučne z kovových prvkov, kotvová úchytká musí dolať silám najmenej 12 kN (2 698 lbf).

1.2 ŠTANDARDY: Postroje uvedené v tomto návode spĺňajú normu (normy) uvedené na titulnej strane týchto pokynov. Pokiaľ sa tento výrobok predáva mimo pôvodnej cieľovej krajiny, predávajúci musí poskytnúť tieto pokyny v jazyku krajiny, v ktorom sa výrobok bude používať.

1.3 ŠKOLENIE: Používateľ a nákupca tohto vybavenia zodpovedajú za to, aby zaistili, že sa s týmito pokynmi zoznámili, že sú vyškolení na správnu starostlivosť a používanie vybavenia, a že sú si vedomí prevádzkových vlastností, obmedzení používania a dôsledkov nesprávneho používania tohto vybavenia.

1.4 OBMEDZENIA: Pred použitím tohto zariadenia je treba vždy zohľadniť tieto obmedzenia používania:

- **KAPACITA:** Celotelový postroj je navrhnutý na používanie osobami s celkovou hmotnosťou, (vrátane odevu, nástrojov atď.), najviac 140 kg (309 lb.). Uistite sa, či sú všetky komponenty vášho systému normované na príslušnú nosnosť pre vašu aplikáciu.
- **VOĽNÝ PÁD:** Systém ochrany pred pádom musí obsahovať prvky alebo funkcie absorbujúce energiu, aby sa zaistilo, že nárazové sily na tele užívateľa počas zastavenia voľného pádu sú obmedzené maximálne na 6 kN (1 349 lbf). Zadržiavacie systémy musia byť nastavené tak, aby nebol možný žiadny zvislý voľný pád. Systémy pracovného polohovania musia byť nastavené tak, aby sa voľný pád obmedzoval na 60 cm (24 in.) alebo menej. Systémy posúvania osôb musia byť nastavené tak, aby nebol možný žiadny zvislý voľný pád. Záchranné systémy musia byť nastavené tak, aby nebol možný žiadny zvislý voľný pád. Ďalšie informácie nájdete v pokynoch od výrobcu podsystemu.
- **VÝŠKA OD ZEME PRE PÁD:** Na obrázku 3 sa ukazujú súčasti ochrany proti pádu. Výška od zeme musí byť pri ochrane proti pádu dostatočná na to, aby užívateľ nenarazil na zem ani na inú prekážku. Na túto výšku vplyva viacero faktorov vrátane: (A) dĺžky lana, (B) spomaľovacej vzdialenosti lana alebo maximálnej vzdialenosti zdržania SRD, (C) natiahnutia postroja a dĺžky a zastavenia D-krúžku/konektora, (obvykle bezpečnostný faktor 0,5 m (1,6 ft.)). Konkrétne údaje o výpočte výšky od zeme pre pád nájdete v pokynoch, ktoré sú súčasťou vášho lana alebo samozasúvacieho zariadenia.
- **VÝKYVY PRI PÁDE:** Ak nie je bod ukotvenia priamo nad miestom, kde dôjde k pádu, môže dôjsť k výkyvu pri páde, (pozrite si Obrázok 4). Sila nárazu po výkyve pri páde môže spôsobiť ťažké alebo smrteľné zranenie. Minimalizujte riziko výkyvu pri páde tým, že budete pracovať čo najbližšie pod bodom ukotvenia. Zabráňte výkyvu pri páde, pokiaľ by mohol spôsobiť poranenie. Výkyv pri páde výrazne zvyšuje potrebnú vzdialenosť od zeme v prípade použitia samozasúvacieho zariadenia alebo iného podsystemu s premenlivou dĺžkou.
- **DLHODOBÉ ZAVESENIE A TRAUMA ZO ZAVESENIA:** Celotelový postroj nie je určený na používanie pri dlhodobom zavesení. Dlhodobé zavesenie môže spôsobiť traumu zo zavesenia. Ak bude používateľ zavesený dlhšie, odporúčame použiť určitú formu sedacej podpory. Spoločnosť 3M odporúča sedaciu dosku, zavesené pracovné sedadlo, sedací remeň alebo bocmanskú sedačku. Viac informácií o týchto predmetoch vám poskytne spoločnosť 3M.
- **EKOLOGICKÉ RIZIKÁ:** Používanie tohto zariadenia v priestoroch s environmentálnymi rizikami si môže vyžadovať ďalšie bezpečnostné opatrenia, aby sa predchádzalo nebezpečenstvu úrazu alebo poškodenia zariadenia. Nebezpečenstvo môže byť spôsobené najmä pôsobením tepla, chemikálií, korozívneho prostredia, vedením vysokého napätia, plynov, pohybujúcich sa strojov alebo ostrých hrán.
- **POSTROJE PRE PROSTREDIA S VYSOKOU TEPLOTOU:** Postroje so sieťovinou Kevlar sú určené na používanie

v prostrediach s vysokou teplotou, s týmito obmedzeniami: Sieťovina Kevlar začína uhoľnať pri teplote 425 - 480 °C (800 - 900 °F). Sieťovina Kevlar dokáže odolať obmedzenému kontaktnému vystaveniu teplotám až do 535 °C (1 000 °F). Polyesterová sieťovina stráca pevnosť pri teplotách 145 - 200 °C (300 - 400 °F). PVC potáh na kovových prvkoch má bod topenia 175 °C (350 °F).

Hoci pozinkované kovové prvky potiahnuté PVC vykazujú výbornú odolnosť proti korózii v chemických, kyslych, alkalických a kovových prostrediach, môže byť nutná pravidelná kontrola. Ak máte otázky ohľadne používania tohto vybavenia v rizikových podmienkach, obráťte sa na spoločnosť 3M.

2.0 POUŽÍVANIE SYSTÉMU

2.1 ZÁCHRANNÝ PLÁN: Pri použití tohto zariadenia musí mať zamestnávateľ pripravený záchranný plán a prostriedky na jeho implementáciu a musí ho komunikovať užívateľom¹, autorizovaným osobám² a záchranárom³.

2.2 INTERVAL KONTROLY: Užívateľ bude celotelový postroj kontrolovať pred každým použitím a kompetentná osoba⁴ iná než užívateľ zase najmenej raz za rok⁵. Postupy kontroly sú uvedené v *Protokole kontroly a údržby v Užívateľskom návode*. Výsledky kontroly každej kompetentnej osoby by sa mali zaznamenať na kópie *Protokolu kontroly a údržby* alebo sledovať pomocou rádiových identifikačného systému, (pozrite si oddiel *Kontrola*).

Pokiaľ to vzhľadom na zložitosť alebo inovácie zariadenia spoločnosť 3M vyžaduje alebo pokiaľ sú na demontáž, opätovnú montáž alebo na posúdenie zariadenia potrebné hĺbkové znalosti, pravidelnú prehliadku bude vykonávať len spoločnosť 3M či osoby alebo organizácie poverené spoločnosťou 3M.

2.3 KOMPATIBILITA KOMPONENTOV: 3M zariadenia sú navrhnuté len na použitie so súčasťami a podsystémami schválenými spoločnosťou 3M. Výmeny alebo náhrady vykonané použitím neschválených dielov alebo podsystémov môžu ohroziť kompatibilitu zariadení a môžu znížiť bezpečnosť a spoľahlivosť celého systému.

2.4 KOMPATIBILITA KONEKTOROV: Konektory sú kompatibilné so spojovacími prvkami, keď boli navrhnuté tak, aby spolupracovali takým spôsobom, že ich rozmery a tvary nespôsobujú neúmyselné otvorenie ich mechanizmov uzáveru bez ohľadu na to, ako sú orientované. Ak máte akékoľvek otázky ohľadom kompatibility, obráťte sa na spoločnosť 3M. Konektory, (háčky, karabíny a D-krúžky) musia byť schopné udržať najmenej 22 kN (4 946 lbf). Konektory musia byť kompatibilné s ukotvením a s inými komponentmi systému. Nepoužívajte zariadenie, ktoré nie je kompatibilné. Nekompatibilné konektory sa môžu neúmyselne odpojiť, (pozrite si Obrázok 5). Konektory musia byť kompatibilné veľkosťou, tvarom a pevnosťou. Ak je spojovací prvok, ku ktorému sa pripája hák, (na obrázku) alebo karabína poddimenzovaná alebo má nepravidelný tvar, môže nastať situácia, pri ktorej spojovací prvok vyvíja silu na uzáver háku alebo karabíny. Táto sila môže spôsobiť otvorenie uzáveru, čo umožní odpojenie háku alebo karabíny od spojovacieho prvku. Požadujú sa samozamykacie háky a karabíny.

2.5 SPÁJANIE: Háky a karabíny používané s týmto zariadením musia byť samozamykacie. Používajte len konektory, ktoré sú vhodné pre dané použitie. Skontrolujte, či sú všetky pripojenia kompatibilné veľkosťou, tvarom a pevnosťou. Nepoužívajte zariadenie, ktoré nie je kompatibilné. Uistite sa, že všetky konektory sú úplne zatvorené a zamknuté.

3M konektory, (zaskakovacie háky a karabíny), sú navrhnuté na použitie len podľa špecifikácií, ktoré sú uvedené v návode na používanie každého výrobku. Pozrite si Obrázok 6, kde sú uvedené nesprávne pripojenia. Háky 3M a karabíny by sa nemali pripájať:

- A. K D-krúžku, ku ktorému je pripojený iný konektor.
- B. Spôsobom, ktorý bude mať za následok zaťaženie uzáveru.
- C. Pri falošnom zapojení, kde prvky vyčnievajú zo zaskakovacieho háku alebo z karabíny, sa zachytávajú o ukotvenie a bez vizuálneho potvrdenia, sa zdá, že sú plne pripojené ku kotviacemu bodu.
- D. Jeden k druhému.
- E. Priamo k popruhovej tkanine alebo lanu alebo k spätnému previazaniu, (pokiaľ pokyny výrobcu, aj pre lano, aj pre konektor, vyslovene nepovoľujú takýto spôsob spojenia).
- F. K akémukoľvek predmetu, ktorý má tvar alebo rozmery, ktoré neumožňujú zatvorenie a zamknutie háku alebo karabíny alebo ktoré by mohli spôsobiť uvoľnenie.
- G. Spôsobom, ktorý neumožňuje správne zrovnanie konektora, keď je pod zaťažením.

2.6 PRIPÁJANÉ PODSYSTÉMY: Pripájané podsystémy, (samozatahovacie lano, lano, uchopenie lana a záchranné lano, rukáv kábla atď), musia byť vhodné pre vaše použitie, (pozrite si oddiel 1.1). Ďalšie informácie nájdete v pokynoch od výrobcu podsystému. Niektoré modely postrojov majú ako pripájací bod tkané slučky. Na pripájanie k tkaným slučkám nepoužívajte háky. Namiesto toho použite samozamykaciu karabínu. Uistite sa, že karabína nezaťažuje uzáver namiesto hlavnej osi karabíny. Niektoré laná sú navrhnuté tak, aby sa obtočili okolo tkanej slučky a aby takto vytvorili kompatibilné pripojenie. Laná je možné k tkanej slučke priamo prišit a takto vytvoriť trvalé pripojenie. Nevytvárajte viacero pripojení k jednej tkanej slučke, pokiaľ dve laná neobtočíte k tkanej slučke vhodnej veľkosti. Postup na obtočenie lana k tkanej slučke (obrázok 7): A) Vložte tkanú slučku lana cez tkanú slučku alebo D-krúžok postroja. B) Vložte správny koniec lana cez tkanú slučku lana. C) Zaisťte potiahnutím lana cez spojovaciu tkanú slučku.

2.7 ODLOŽENIE LANA: Na Obrázku 8 sa ukazuje odloženie lana. Pripojenie na odloženie lana slúži na pripojenie voľného konca lana alebo samozasúvacieho zariadenia, ktoré je namontované na postroji, pokiaľ nie je pripojené ku kotviacemu spojovaciemu bodu na účely ochrany proti pádu. Pripojenia na odloženie lana sa nikdy nesmú používať ako spájací prvok ochrany proti pádu na postroji na pripojenie lana alebo samozasúvacieho zariadenia (A).

Pokiaľ nepripojené rameno lana nie je pripojené ku kotviacemu spájaciemu bodu, musí byť správne odložené na postroji (B) alebo zaistené v používateľovej ruke, napríklad pri použití s 100 % istením (Tie-Off) (C). O voľne visiace ramená lana (D) sa môže užívateľ potknúť alebo sa môžu zachytiť na okolitých predmetoch, čo môže mať za následok pád.

1 Užívateľ: Osoba vykonávajúca práce vo výškach, ktorá je chránená osobným systémom ochrany pred pádom.

2 Autorizovaná osoba: Osoba poverená zamestnávateľom vykonávať úlohy na mieste, na ktorom bude táto osoba vystavená nebezpečenstvu pádu.

3 Záchranár: Osoba alebo osoby iné ako subjekt záchrany, ktoré prevádzkovaním záchranného systému vykonávajú asistovanú záchranu.

4 Kompetentná osoba: Osoba spôsobilá identifikovať súčasné a predvídateľné nebezpečenstvá pracovného prostredia alebo pracovných podmienok, ktoré sú nehygienické, nebezpečné alebo škodlivé pre zamestnancov a ktorá má oprávnenie uskutočňovať okamžité nápravné opatrenia na ich odstránenie.

5 Interval kontroly: Extrémne pracovné podmienky, (drsne prostredie, dlhodobé používanie a pod.), si môžu vyžadovať skrátené intervaly kontrol.

3.0 POUŽÍVÁNIE POSTROJA

3.1 PRED KAŽDÝM POUŽITÍM TOTO VYBAVENIE SKONTROLUJTE V SÚLADE S *Protokolom kontroly a údržby (Tabuľka 1).*

3.2 NAPLÁNUJTE váš systém pred tým, než ho začnete používať. Zvážte všetky faktory, ktoré ovplyvňujú vašu bezpečnosť počas používania tohto vybavenia. Pri plánovaní svojho systému zvážte tieto dôležité body:

- **Ukotvenie:** Vyberte ukotvenie schopné odolať požiadavkám statického zaťaženia podľa zamýšľaného použitia na ochranu pred pádom (pozrite si oddiel 1.1). Ukotvenie je potrebné umiestniť v súlade s obmedzeniami voľného pádu, priestoru pre pád, výkyvu pri páde a životného prostredia, ktoré sú uvedené v oddieli 1.4.
- **Ostré okraje:** Vyvarujte sa práci v prostredí, kde sú komponenty systému v kontakte alebo sa obrusujú o nechránené ostré okraje.
- **Po páde:** Diely vystavené silám ochrany pred pádom je potrebné z prevádzky odstrániť a zničiť.
- **Záchrana:** Zamestnávateľ musí mať pri používaní tohto vybavenia záchranný plán. Zamestnávateľ musí byť schopný vykonať záchranu rýchlo a bezpečne.
- **Záchranný postroj:** Záchranné postroje (EN1497) sú určené na nosenie počas bežných pracovných činností. Pred použitím spájajúcich záchranných prvkov musí používateľ v bezpečných podmienkach vykonať test zavesenia, aby sa zaistilo, že postroj má správnu veľkosť a dobre sedí tak, aby počas zavesenia zaručil optimálne pohodlie.
- **Pracovné polohovanie:** Pri používaní systému pracovného polohovania vždy zvážte potrebu použitia záložného systému osobnej ochrany pred pádom (napr. systém na zachytenie pádu). Vždy používajte kotviaci bod umiestnený na úrovni pásu alebo nad ňou.

3.3 SPONY: Celotelové postroje sú vybavené rozličnými sponami na upevnenie a nastavenie telového pásu, nožných a hrudných popruhov. Telové pásy postroja disponujú sponou s jazýčkom. Typy spôn na postroji nájdete na Obrázku 1. Na Obrázku 9 sa ukazuje prevádzka každej z týchto spôn:

1. Spony s rýchlym pripojením:

- A. Na pripojenie vložte uško do receptora, až kým sa neozve kliknutie.
- B. Na nastavenie priloženého popruhu: Utiahnite alebo uvoľnite potiahnutím popruhu dopredu alebo dozadu cez otvor spony.
- C. Na uvoľnenie spony s rýchlym pripojením: Stlačte uzamykacie páky na oboch stranách receptora. Vytiahnite uško z receptora.

2. Prechodné spony:

- A. Vložte samca spony cez otvor v samici spony.
- B. Utiahnite voľný popruh, aby bol samec zarovnaný so samicou. Zaistite voľný popruh s poistnou popruhu.

3.4 NASTAVENIA: Postroje sú vybavené dvoma trupovými nastaveniami na úpravu ramenných popruhov. Postup na úpravu trupových nastavení nájdete na Obrázku 10:

1. Padákové trupové nastavenia:

- A. Potiahnutím za voľný popruh utiahnete ramenný popruh. Na uvoľnenie ramenného popruhu potiahnite za voľný popruh, a potom ho prevlečte cez padákové nastavenie.
- B. Po želanom nastavení zaistite voľný popruh v poistke.

Ak je k dispozícii správa konca popruhu so suchého zipsu (Pozri Obrázok 11), zatočte voľný pás popruhu späť, až kým nie je pevný (A), pružky suchého zipsu spojte späť cez popruh a pružky (B) zaistite. Uistite sa, že je kotúč pevne utiahnutý a či je držiak popruhov posunutý blízko kotúča (C).

3.5 OBLIEKANIE A ÚPRAVA CELOTELOVÉHO POSTROJA: Na Obrázku 13 je znázornené obliekanie a úprava celotelového postroja. Pred každým použitím postroj skontrolujte podľa kontrolného zoznamu v "Protokole kontroly a údržby (Tabuľka 1)". Ako si obliecť a upraviť postroj:

Postup na zaistenie a nastavenie popruhov postroja sa medzi jednotlivými modelmi líši. Viac informácií nájdete v oddieloch 3.3 až 3.4 a obrázkoch 9 až 10.

1. Postroj zdvihnite a podržte za zadný chrbtový D-krúžok. Uistite sa, že popruhy nie sú skrútené.
2. Chyťte ramenné popruhy a nasuňte postroj na jedno rameno. Chrbtový D-krúžok sa bude nachádzať na vašom chrbte. Uistite sa, že popruhy nie sú zamotané a voľne visia. Vklíznite voľnou pažou do postroja a umiestnite ramenné popruhy navrch svojich ramien. Ak je postroj navlečený správne, hrudný popruh a hrudná spona sa budú nachádzať na prednej strane.
3. Zohnite sa a chyťte za nožný popruh na pravej strane. Dajte si tento popruh medzi nohy. Zaistite ho k príslušnej spony na pravom bedre a utiahnite ho tak, aby bol prielievavý, pritom však pohodlný. (Pokyny k prevádzke spony nájdete v oddieli 3.3). Následne zastrčte voľný koniec nožného popruhu za kotvu popruhu.
Rovnako postupujte aj pri zaistovaní a úprave ľavého nožného popruhu.
4. Ak je k dispozícii opasok s popruhom s jazýčkom, nastavte ho a zaistite. (Pokyny k prevádzke popruhu s jazýčkom nájdete v oddieli 3.3).
5. Zaistite a nastavte hrudný popruh, (pokyny k prevádzke spony nájdete v oddieli 3.3). Hrudný popruh by sa mal nachádzať 15 cm (6 in) od vrchu ramien. Následne voľný koniec hrudného popruhu zastrčte za poistku popruhu.
6. Pomocou trupových nastavení upravte ramenné popruhy tak, aby priliehali, (pokyny k prevádzke trupového nastavenia nájdete v oddieli 3.4). Pravú i ľavú stranu ramenných popruhov je potrebné nastaviť na rovnakú dĺžku a hrudný popruh by mal byť rovný v dolnej časti hrudníka 15 cm (6 in) od vrchu ramien. Zadný chrbtový D-krúžok by sa vám mal nachádzať medzi lopatkami. Predný hrudný D-krúžok by sa mal nachádzať bokom do 5 cm (2 in) od zvislej stredovej osi postroja.

Počas používania pravidelne kontrolujte upevňovacie a nastavovacie prvky

- 3.6 POUŽITIE OCHRANY PRED PÁDOM POMOCOU D-KRÚŽKU ALEBO SPÁJACIEHO PRVKU:** Kotviace body pre Zastavenie pádov sú označené veľkým písmenom "A". Pre použitie ochrany pred pádom ju pripojte k chrbtovému D-krúžku alebo spájaciemu prvku na chrbte medzi lopatkami, alebo predný D-krúžok na hrudníku. Ak sú k dispozícii bočné D-krúžky, ich použitie je len na polohovanie alebo zadržiavanie. Ramenné pripájanie slúži len na záchranu alebo na vyťahovanie. Predný hrudný D-krúžok je na lezenie po rebríku alebo na polohovanie. D-krúžky na závesnom sedadle sú len na zavesenie alebo na polohovanie. (Pozri oddiel 1.1).
- 3.7 PRIPÁJANIE:** Pri použití háku na pripojenie k ukotveniu alebo pri pripojení dielov k systému sa ubezpečte, že nemôže dochádzať k vyťahnutiu. K vyťahnutiu dochádza, keď kolízia medzi hákom a príslušným konektorom spôsobuje neúmyselné otvorenie a odpojenie uzáveru háku. Na obmedzenie nebezpečenstva vyťahnutia je potrebné používať samozamykacie háky a karabínky. Nepoužívajte háky ani konektory, ktoré sa úplne nezatvoria bezprostredne nad pripevňovacím predmetom. Ďalšie informácie o pripojeniach nájdete v pokynoch od výrobcu podsystému.
- 3.8 PRIPÁJANIE SYSTÉMOVÝCH DIELOV:** Po navlečení postroja sa používateľ môže pripojiť k ďalším systémovým dielom. Riadte sa pokynmi v oddieli 2 a pokynmi výrobcu dielu.

4.0 KONTROLA

- 4.1 INTERVALY KONTROLY:** Celotelový postroj je potrebné kontrolovať v intervaloch, ktoré sú definované v oddieli 2.2. Kontrolné postupy sú popísané v „Protokole kontroly a údržby“ (Tabuľka 1).
- 4.2 CHYBY:** Ak sa pri kontrole zistí, že stav zariadenia je chybný, zariadenie ihneď prestaňte používať a zlikvidujte ho.
- 4.3 ŽIVOTNOSŤ PRODUKTU:** Funkčnú životnosť postrojov určujú pracovné podmienky a údržba. Maximálna životnosť môže dosahovať od 1 roka pri častom používaní v náročných podmienkach až po 10 rokov pri občasnom používaní v miernych podmienkach. Keď tento výrobok splní kritériá kontroly, môže sa ďalej používať, maximálne po dobu 10 rokov.

5.0 ÚDRŽBA, SERVIS, SKLADOVANIE

Výrobok nečistite ani nedezinfikujte spôsobmi, ktoré nie sú opísané v nasledujúcich pokynoch týkajúcich sa čistenia. Iné spôsoby môžu mať nepriaznivé účinky na výrobok alebo používateľa.

- 5.1 ČISTENIE:** Celotelové postroje 3M sa musia čistiť v súlade s pokynmi spoločnosti 3M. Postroj pri čistení vyperte v jemnom čistiacom prostriedku bez bielidla a potom vypláčajte. Postroj by sa mal následne zavesiť a vysušiť na vzduchu. Voda používaná na čistenie a teploty používané na sušenie na vzduchu by nikdy nemali prekročiť 54,4 °C (130 °F). Viac informácií nájdete v technickej príručke na našej webovej stránke: <http://www.3M.com/FallProtection/WebCleaning>

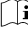
Ak máte akékoľvek otázky týkajúce sa postupov čistenia, obráťte sa na technické služby spoločnosti 3M.

- 5.2 SERVIS:** Celotelové postroje nemožno opravovať. Ak bol postroj vystavený silám pádu alebo kontrola odhalí nebezpečné alebo chybné podmienky, okamžite vyradte postroj z prevádzky a zlikvidujte ho.
- 5.3 SKLADOVANIE A DOPRAVA:** Celotelový postroj skladujte v chladnom, suchom a čistom prostredí na mieste, kde nie je vystavený priamemu slnečnému žiareniu. Vyhýbajte sa priestorom s možnosťou výskytu chemických výparov. Po dlhom skladovaní postroj dôkladne skontrolujte.

6.0 ŠTÍTKY

Na obrázku 14 sú zobrazené produktové štítky a ich poloha na celotelovom postroji. Všetky štítky musia byť prítomné a dokonale čitateľné.

Informácie, ktoré sú na každom štítku, sú nasledovné:

1	(A) Kotviace miesto pre zadržanie pádu, označené veľkým písmenom "A" (B) Umiestnenie štítku
2	(A) Záznam o kontrole (B) Seriové číslo (C) Iniciály (D) Dátum (E) Tento štítok neodstraňujte.
3	(A) Štítok s používateľskými informáciami
4	(A) Sériové číslo (B) Mesiac výroby (C) Rok výroby (D) Číslo šarže (E) Číslo modelu (F) Európska norma (G) Kapacita (H) Veľkosť (I)  Pozri pokyny (J) Značka CE (K) Číslo oznámeného orgánu vydávajúceho vyhlásenie o zhode (L) Veľkosť pásu

Preden uporabite ta varovalno-pozicijski pas za celo telo, prosimo, da preberete, razumete prebrano in upoštevate vse varnostne informacije, ki jih vsebuje ta priročnik. NEUPOŠTEVANJE LAHKO POVZROČI HUDE TELESNE POŠKODBE ALI SMRT.

Navodila je treba posredovati uporabniku opreme. Te informacije vedno hranite na priročnem mestu.

Predvidena uporaba:

Ta varovalno-pozicijski pas je namenjen za uporabo kot sestavni del celotnega sistema za zaščito pri padcu oseb.

Podjetje 3M ne odobrava uporabe, za katere koli druge namene, kar med ostalimi vključuje prenašanje materialov, rekreativne ali športne dejavnosti oziroma druge dejavnosti, ki niso opisane v Navodilih za uporabnike – neupoštevanje navedene namembnosti lahko povzroči hude telesne poškodbe ali smrt!

To napravo sme uporabljati samo usposobljen uporabnik pri izvajanju del na delovnem mestu.

OPOZORILO

Ta varovalno-pozicijski pas za celo telo je sestavni del celotnega sistema za zaščito pri padcu oseb. Pričakuje se, da so vsi uporabniki podrobno seznanjeni in usposobljeni za varno namestitve in delovanje svojega sistema za zaščito pri padcu oseb. **Nepravilna uporaba te naprave lahko povzroči hude telesne poškodbe ali smrt.** Za pravilno izbiro, delovanje, namestitve, vzdrževanje in servisiranje glejte ta Navodila za uporabnike in vsa priporočila proizvajalca, se posvetujte z nadrejenim ali se obrnite na Tehnične storitve podjetja 3M.

- **Da bi se izognili povzročitvi hude telesne poškodbe ali smrti pri delu z varovalno-pozicijskim pasom za celo telo, morate upoštevati pravila za zmanjševanje tveganj, ki zahtevajo naslednje:**
 - Napravo pregledajte pred vsako uporabo, najmanj pa enkrat letno in po vsakem dogodku, ki je sprožil delovanje naprave za preprečitev padca. Pri pregledu naprave vedno sledite Navodilom za uporabnike.
 - Če pri pregledu ugotovite, da naprava ni varna ali ima poškodbe in nepravilnosti pri delovanju, morate to napravo izločiti iz uporabe in uničiti.
 - Vsako napravo, ki je bila podvržena sili ob zadrževanju padca ali udarni sili, je treba nemudoma izločiti iz uporabe in uničiti.
 - Prepričajte se, da imate varovalno-pozicijski pas pravilno nameščen, da njegova velikost ustreza vašim meram ter da je ustrezno nastavljen.
 - Zagotovite, da so vsi podsistemi za privezovanje (npr. trakovi z vponkami, rešilne vrvi) varno nameščeni in se med drugim prepričajte, da se trakovi niso prepletli s trakovi drugih delavcev in da se trakovi ene naprave niso prepletli med sabo, s premičnimi deli strojev ali z drugimi predmeti v bližini.
 - Za sisteme/podsisteme za zaščito pred padcem, ki so sestavljeni iz komponent različnih izdelovalcev, zagotovite, da so vse komponente med sabo združljive in da izpolnjujejo zahteve ustreznih standardov, vključno s standardom ANSI Z359 ali z drugimi ustreznimi predpisi, standardi ali zahtevami v zvezi z zaščito pred padcem. Pred uporabo teh sistemov se vedno posvetujte s pristojno ali kvalificirano osebo.
- **Da bi se izognili povzročitvi hude telesne poškodbe ali smrti pri delu na višini, morate upoštevati pravila za zmanjševanje tveganj, ki zahtevajo naslednje:**
 - Zagotovite, da vam zdravje in fizična pripravljenost dovolujeta, da varno delate in zdržite vse sile, ki ste jim izpostavljeni pri delu na višini. Če ste v dvomih glede svoje sposobnosti, da uporabljate to opremo, se posvetujte s svojim zdravnikom.
 - Nikoli ne smete preseči dopustne nosilnosti svoje opreme za zaščito pred padcem.
 - Nikoli ne smete preseči maksimalne razdalje prostega padca, ki je določena za vašo opremo za zaščito pred padcem.
 - Ne smete uporabiti opreme, za katero je bilo pri strokovnem pregledu pred uporabo ali pri drugem pregledu v okviru načrtovanih vzdrževalnih del ugotovljeno, da ne izpolnjuje pogojev za varno delo, ali če menite, da vaša oprema ne ustreza pogojem vašega delovnega mesta. Za vsa vprašanja se obrnite na Tehnične storitve podjetja 3M.
 - Kombinacije nekaterih podsistemov in sestavnih delov lahko ovirajo delovanje opreme. Uporabljajte samo združljive priključke. Pred uporabo opreme v kombinaciji s sestavnimi deli ali podsistemi, ki niso opisani v Navodilih za uporabnike, se posvetujte z družbo 3M.
 - Upoštevajte dodatne varnostne ukrepe, ko delate v bližini strojev za zemeljska dela (npr. zgornji pogon oljne ploščadi), visokonapetostnih električnih vodnikov, visoke temperature, nevarnih kemikalij, eksplozivnih ali strupenih plinov, ostrih robov, ali na deloviščih, na katerih se izvajajo dela na višini z materiali, ki lahko padejo na vas ali vašo opremo za zaščito pred padcem.
 - Ko delate v okoljih z visoko toploto, uporabljajte naprave za zaščito pred prebojnim vžigom ali naprave za zaščito pri varjenju, rezanju ali odprtem plamenu.
 - Izogibajte se površinam in predmetom, ki lahko poškodujejo uporabnika ali opremo.
 - Pri delu na višini zagotovite ustrezen prazen prostor na poti padca.
 - Svoje opreme za zaščito pred padcem nikoli ne smete spreminjati ali predelati. Popravila te opreme lahko izvaja samo podjetje 3M ali oseba, ki je od podjetja 3M pridobila pisno pooblastilo.
 - Pred uporabo opreme za zaščito pred padcem preverite, ali je izdelan načrt reševanja pri morebitnem padcu, ki zagotavlja takojšnje reševanje, če se zgodi padec.
 - Če pride do dogodka s padcem, nemudoma poiščite zdravniško pomoč za ponesrečenega delavca.
 - Za zaustavitev padca ne smete uporabiti jermena, nameščenega samo okrog pasu. Uporabljajte samo varovalno-pozicijski pas za celotno telo.
 - Nevarnost padcev z nihanjem lahko zmanjšate tako, da delate neposredno pod sidrno točko.
 - Ko uporabljate to napravo pri usposabljanju delavca, morate uporabiti sekundarno zaščito pred padcem na način, ki delavca, ki se še uči, ne bo izpostavil nevarnosti neželenega padca.
 - Vedno si nadenite osebno zaščitno opremo, ko nameščate, uporabljate, ali pregledujete napravo/sistem.

Pred uporabo te opreme si z ID-nalepke v dnevnik pregledov in vzdrževanje, ki je na koncu tega priročnika, prepisite identifikacijske podatke izdelka.

Vedno zagotovite, da uporabljate najnovejšo različico navodil za uporabo 3M. Obiščite spletno mesto 3M ali pa se obrnite na tehnične storitve 3M za posodobljene uporabniške priročnike.

OPIS

Slika 1 prikazuje razpoložljive modele kompleta varovalnih trakov, ki se prilegajo telesu. Modeli kompleta varovalnih trakov, ki se prilegajo telesu, so na voljo v različnih kombinacijah naslednjih lastnosti:

	Slika 1 Referenca:	Opis:
Velikosti	S, M/L, XL	Small (majhno), Medium (srednje), Large (veliko), Extra Large (zelo veliko)
	Ⓑ	Velikost pasu v cm
Priprave za pripenjanje	①	Hrbtne vponke v obliki črke D
	②	Prsne vponke v obliki črke D
	③	Vponke v obliki črke D v ravni bokov
	④	Ramenska priprava za pripenjanje
Zaponke	⑤	Zaponke za hitro spenjanje
	⑥	Vtične zaponke
Pripomočki za nastavitve	⑦	Varovalni uravnalci za prilagajanje telesu
Varovalne podloge	⑧	Podlaga za pas in boke
	⑨	Varovalna podloga za noge
Dodatni elementi	⑩	Varnostni varovalni obroči za pozicijske vrvi s samodejnim ponastavljanjem
	⑪	Vodenje konca traku - Glejte sliko 11.
	⑫	Reševalni pas
	⑬	Instrumentna zanka

SPECIFIKACIJE

Delovanje:	
Največja sila pri preprečitvi padca:	6 kN (1 349 lbf)
Nosilnost:	140 kg (310 lb.)
Območje delovne temperature:	Najmanj: -35 °C (-31 °F) Največ: +57 °C (135 °F)

Materiali:	
Trakovi	Poliester – natezna trdnost 22 kN (4 946 lbf)
Zaščita oblog	Mešanica najlona in poliestra
Zaščita nalepk	Mešanica najlona in poliestra
Nit	Nit iz poliestra na poliestrskih tkanih trakovih
Vponke v obliki črke D	Legirano jeklo – natezna trdnost 22 kN (4 946 lbf)
Zaponke za hitro spenjanje	Jeklo, nerjavno jeklo in legirano jeklo – natezna trdnost 18 kN (4 047 lbf)
Vtične zaponke	Legirano jeklo – natezna trdnost 18 kN (4 047 lbf)
Varovalni uravnalci za prilagajanje telesu	Legirano jeklo – natezna trdnost 18 kN (4 047 lbf)

1.0 OBSEG UPORABE

1.1 NAMEN: Komplet varovalnih trakov, ki se prilegajo telesu, je sestavni del sistema za osebno zaščito pred padcem, izdelan tako, da prepreči ali varno ustavi padec (glejte sliko 2). Obseg uporabe kompleta varovalnih trakov, ki se prilegajo telesu, je naveden spodaj.

(A)	Zaustavitev padca (EN360, EN361, EN355): Sistemi osebne zaščite pri zaustavitvi padca so navadno sestavljeni iz kompleta varovalnih trakov, ki se prilegajo telesu, in podsistema za privez (vrv z napravo za blažitev udarca, samopovratna varovalna naprava itn.). Največja sila pojemka, ki nastane pri zaustavitvi padca, ne sme presežati 6 kN (1 349 lbf). <i>Obremenitev sidrišča:</i> Izbrano sidrišče mora imeti nosilnost 12 kN (2 698 lbf) ali več.
(B)	Delovno pozicioniranje (EN358, EN813): Sistemi za delovno pozicioniranje navadno vključujejo komplet varovalnih trakov, ki se prilegajo telesu, delovne pozicijske vrvi (vrvi z vponkami) in varnostni sistem osebne zaščite pri zaustavitvi padca. Za uporabo pri delovnem pozicioniranju povežite podsistem delovnega pozicioniranja (na primer pozicijsko vrv, vrv v obliki črke Y itn.) s sidrnimi pripravami za pripenjanje delovnega pozicioniranja (vponke v obliki črke D), ki so nameščene na spodnjem delu (v ravnini bokov) ali na pasu. Teh veznih točk nikoli ne smete uporabiti za povezovanje komponent sistema za zaustavitev padca. <i>Priprave za pripenjanje:</i> Spreddaj, v višini bokov. <i>Obremenitev sidrišča:</i> Izbrano sidrišče mora imeti nosilnost 12 kN (2 698 lbf) ali več.
(C)	Vzpenjanje (EN353-1): Komplet varovalnih trakov, ki se prilegajo telesu, je sestavni del vzpenjalnega sistema, ki uporabnika zaščiti pred padcem pri vzpenjanju na lestev ali na druge visoke konstrukcije. Vzpenjalni sistemi običajno vključujejo komplet varovalnih trakov, ki se prilegajo telesu, navpični kabel ali steber, pritrjen na konstrukcijo, in objemko za vzpenjanje. Pri uporabi za vzpenjalne sisteme za fiksno lestev se lahko za povezovanje komponent sistema za zaustavitev padca uporabijo varovalni pasovi s sprednjo vponko v obliki črke D, ki je nameščena na prsnici. <i>Priprave za pripenjanje:</i> Prsni del. <i>Obremenitev sidrišča:</i> Konstrukcija, na katero je pripet vzpenjalni sistem, mora imeti nosilnost, ki se zahteva v dokumentaciji proizvajalca vzpenjalnega sistema.
(D)	Reševanje (EN1496, EN1497, EN149): Komplet varovalnih trakov, ki se prilegajo telesu, se uporablja kot sestavni del reševalnega sistema. Konfiguracija reševalnih sistemov je odvisna od tipa reševanja. Pri uporabi v prostorih z omejenim dostopom (v utesnjenih prostorih), kjer je pomembna velikost postave delavca, se lahko za vstop v utesnjene prostore in izstop iz njih uporabijo varovalni pasovi, ki so opremljeni z vponkami v obliki črke D, nameščenimi na ramenih. <i>Priprave za pripenjanje:</i> Hrbtni, prsni, sprednji in ramenski del. <i>Obremenitev sidrišča:</i> Izbrano sidrišče mora imeti nosilnost 12 kN (2 698 lbf) ali več.
(E)	Nadzorovano spuščanje (EN341): Pri nadzorovanem spuščanju se lahko za povezavo s sistemom za spuščanje ali evakuacijo uporabijo varovalni pasovi, ki so opremljeni z eno prsno vponko v obliki črke D, eno ali dvema sprednjima vponkama v obliki črke D ali s parom priprav za spenjanje, ki sta nameščeni pod pasom (kot so sedežne zanke). <i>Priprave za pripenjanje:</i> Hrbtni, prsni in sprednji del. <i>Obremenitev sidrišča:</i> Izbrana sidrišča morajo imeti nosilnost do 12 kN (2 698 lbf) ali več.
(F)	Zadrževanje (EN354): Komplet varovalnih trakov, ki se prilegajo telesu, se uporablja kot sestavni del zadrževalnega sistema, ki uporabnika varuje pred nevarnostjo padca. Zadrževalni sistemi običajno vključujejo komplet varovalnih trakov, ki se prilegajo telesu, in pozicijsko vrv ali zadrževalno vrv. <i>Priprave za pripenjanje:</i> Hrbtni, prsni ter sprednji del in del v ravni bokov. <i>Obremenitev sidrišča:</i> Izbrano sidrišče mora imeti nosilnost vsaj 18 kN (4 047 lbf), kadar trakovi, vključno s kakršnim koli tekstilnim materialom ali elementi tekstilnih vrvic, npr. uporabljajo se vrvi ali tkanine iz sintetičnih vlaken. Kadar se uporabljajo pasovi, ki so v celoti izdelani iz kovinskih elementov, mora biti sidrišče obremenjeno z najmanj 12 kN (2 698 lbf).

1.2 STANDARDI: Varovalni pasovi, opisani v tem priročniku, so v skladu s standardom (standardi), navedenim(-mi) na naslovnici teh navodil. Pri nadaljnji prodaji tega izdelka zunaj prvotne namembne države mora preprodajalec zagotoviti ta navodila v jeziku države, v kateri se bo izdelek uporabljal.

1.3 USPOSABLJANJE: Uporabnik in kupec te opreme sta dolžna poskrbeti za natančno razumevanje teh navodil in ustrezno usposabljanje za pravilno ravnanje s to opremo in za njeno pravilno uporabo; dolžna sta se seznaniti z delovnimi značilnostmi, omejitvami uporabe in posledicami nepravilne uporabe te opreme.

1.4 OMEJITVE: Pred uporabo te opreme morate upoštevati naslednje omejitve uporabe:

- **NOSILNOST:** Komplet varovalnih trakov, ki se prilegajo telesu, je izdelan za osebe s skupno težo (vključno z obleko, orodjem itn.) največ 140 kg (309 lb.). Zagotovite, da imajo vsi deli vašega sistema nazivne nosilnosti, ki ustrezajo vašemu načinu uporabe.
- **PROSTI PADEC:** Sistem za zaustavljanje padca vključuje elemente ali funkcije za absorpcijo energije, ki zagotavljajo, da so udarne sile na telo uporabnika med zaustavitvijo prostega padca omejene na največ 6 kN (1 349 lbf). Zadrževalne sisteme morate nastaviti tako, da ni možnosti vertikalnega prostega pada. Sisteme za delovno pozicioniranje morate nastaviti tako, da se prosti pad omeji na 60 cm (24 in.) ali manj. Sisteme za prenašanje osebja z vertikalnim dviganjem in spuščanjem morate namestiti tako, da ni možnosti vertikalnega prostega pada. Reševalne sisteme morate namestiti tako, da ni možnosti vertikalnega prostega pada. Za več informacij o podsistemu glejte navodila proizvajalca.
- **PROSTA POT PADCA:** Slika 3 ponazarja komponente zaustavitve padca. Zagotoviti morate zadostno prosto pot padca (Fall Clearance, FC), da se padec zaustavi, preden uporabnik zadene tla ali drugo oviro. Na dolžino proste poti vplivajo številni dejavniki, kot so: (A) dolžina pozicijske vrvi, (B) razdalja izvlečenja vrvi med trajanjem pojemanja hitrosti ali največja razdalja izvlečenja samopovratne vrvi (SRD) med ustavljanjem padca, (C) dolžina raztezanja varovalnega pasu + dolžina vponke v obliki črke D/veznega elementa + izračun (varnostni faktor za izračun razdalje je običajno 0,5 m (1,6 ft.)). Za posebnosti glede izračuna proste poti padca glejte navodila, priložena vaši pozicijski vrvi ali samopovratni varovalni napravi.
- **PADCI Z NIHANJEM:** Do padcev z nihanjem pride, ko sidriščna točka ni neposredno nad točko, pri kateri pride do padca (glejte sliko 4). Sila trka ob predmet pri padcu z nihanjem lahko povzroči hude poškodbe ali smrt. Nevarnost padcev z nihanjem lahko zmanjšate tako, da delate neposredno pod sidriščno točko. Ne dopustite, da bi prišlo do padca z nihanjem, če pri tem lahko pride do poškodb. Padci z nihanjem bodo pri uporabi samopovratne varovalne naprave ali pri povezavi na drug podsistem s spremenljivo dolžino vrvi občutno povečali zahtevano dolžino proste poti.
- **VISENJE DLJE ČASA IN POŠKODBE KOT POSLEDICA VISENJA:** Komplet varovalnih trakov, ki se prilegajo telesu, ni namenjen uporabi za visenje dlje časa. Visenje dlje časa lahko povzroči poškodbe kot posledico visenja. Če bo uporabnik prosto visel dlje časa, je priporočljiva uporaba ene od podpor s sedežem. 3M priporoča sedežno desko, obešeni delovni sedež, sedežne zanke ali sedežno desko, obešeno na vrvi. Za več informacij o teh pripomočkih se obrnite na podjetje 3M.
- **NEVARNOST V OKOLJU:** Pri uporabi te opreme na nevarnih območjih se lahko zahtevajo dodatni previdnostni ukrepi za preprečitev možnosti poškodb uporabnika ali opreme. Nevarnost lahko med drugim vključuje: vročino, kemikalije, korozivne okolje, visokonapetostne električne vode, pline, premikajoče se stroje in ostre robove.
- **VAROVALNI PASOVI V OKOLJIH Z VISOKIMI TEMPERATURAMI:** Varovalni pasovi iz močne tkanine Kevlar so izdelani za uporabo v okoljih z visokimi temperaturami z naslednjimi omejitvami: Močna tkanina Kevlar začne ogleneti pri temperaturah 425 - 480 °C (800 - 900 °F). Močna tkanina Kevlar lahko prenese omejeno

izpostavljenost temperaturam do 535 °C (1 000 °F). Poliestrska tkanina izgubi trdnost pri temperaturah 145 - 200 °C (300 - 400 °F). PVC-prevleka na opremi za montažo ima tališče približno 175 °C (350 °F).

Čeprav so deli s PVC-prevleko in pocinkani deli odlično odporni na korozijo v kemičnih, kislih, alkalnih in atmosferskih razmerah, so lahko potrebni pogostejši pregledi. Če imate vprašanja v zvezi z uporabo te opreme na nevarnih območjih, stopite v stik z družbo 3M.

2.0 UPORABA SISTEMA

- 2.1 NAČRT REŠEVANJA:** Pri uporabi te opreme in veznega podsistema (podsistemov) mora imeti delodajalec pripravljen načrt reševanja in na voljo sredstva za njegovo izvedbo. Načrt reševanja mora predstaviti uporabnikom¹, pooblaščenim osebam² in reševalcem³.
- 2.2 POGOSTOST PREGLEDOV:** Uporabnik mora komplet varovalnih trakov, ki se prilegajo telesu, pregledati pred vsako uporabo; poleg tega ga mora v rednih časovnih presledkih, ki ne smejo biti daljši od enega leta, pregledati tudi pristojna oseba⁴, ki ni uporabnik⁵. Postopki pregledov so opisani v *priročniku z navodili za uporabnika v razdelku »Dnevnik pregledov in vzdrževanja«*. Rezultati vsakega pregleda, ki ga opravi pristojna oseba, se morajo zapisati v kopijah *dnevnika pregledov in vzdrževanja* ali voditi v elektronski obliki s sistemom za radiofrekvenčno identifikacijo (glejte razdelek »Pregled«).

Redne preglede lahko izvaja le podjetje 3M oz. osebe ali organizacije, ki jih je pooblastilo podjetje 3M, in sicer kadar to zahteva podjetje 3M zaradi kompleksnosti in inovativnosti opreme ali kadar je potrebno bistveno znanje pri razstavljanju, sestavljanju ali ocenjevanju opreme.

- 2.3 ZDRUŽLJIVOST DELOV:** Oprema znamke 3M je namenjena samo za uporabo z odobrenimi deli in podsistemi znamke 3M. Nadomeščanje ali zamenjava komponent z neodobrenimi komponentami ali podsistemi lahko ogrozi združljivost opreme in lahko vpliva na varnost in zanesljivost celotnega sistema.
- 2.4 ZDRUŽLJIVOST PRIPRAV ZA SPENJANJE:** Priprave za spenjanje so združljive z veznimi elementi, če so izdelane tako, da se uporabljajo skupaj z veznimi elementi, kar pomeni, da njihova velikost in oblika ne povzročata, da bi se njihovi zapiralni mehanizmi nenamerno odprli, ne glede na to, kam so obrnjeni. Če imate vprašanja v zvezi z združljivostjo, se obrnite na podjetje 3M. Priprave za spenjanje (kavljji, karabini in vponke v obliki črke D) morajo imeti nosilnost vsaj 22 kN (4 946 lbf). Priprave za spenjanje morajo biti združljive s sidriščem ali ostalimi sistemskimi komponentami. Ne uporabljajte opreme, ki ni združljiva. Nezdružljive priprave za spenjanje se lahko nenamerno odprejo (glejte sliko 5). Priprave za spenjanje morajo biti združljive po velikosti, obliki in moči. Če so vezni elementi, na katere se spnejo zaskočna zapirala (prikazano) ali karabini, premajhni ali nepravilne oblike, lahko pride do stanja, ko vezni element ustvari silo, ki pritiska zaskočno zapiralo ali pregibno vzmet karabina v smeri odpiranja. Ta sila lahko povzroči odpiranje zapirala, kar dovoljuje, da se zaskočno zapiralo ali karabin odpne z vezne točke. Zahteva se uporaba samozaklepnih zaskočnih zapiral (kavljev) in karabinov (vponke).
- 2.5 POVEZOVANJE:** S to opremo je treba uporabljati samozaklepa zaskočna zapirala (kavlje) in karabine (vponke). Uporabljajte samo priprave za spenjanje, ki so primerne za posamezno vrsto uporabe. Preverite in zagotovite, da so vse priprave za spenjanje združljive po velikosti, obliki in moči. Ne uporabljajte opreme, ki ni združljiva. Preverite in se prepričajte, da so vse priprave za spenjanje v celoti zaprte in zaklenjene.

Priprave za spenjanje znamke 3M (zaskočne kljuge in vponke) so oblikovane za uporabo samo na način, ki je določen v navodilih za uporabo posameznega izdelka. Glejte sliko 6 za primere neustreznega povezovanja. Zaskočnih zapiral (kavljev) in karabinov (vponk) znamke 3M ne smete pripeti:

- A. Na vponko v obliki črke D, na katero je pripet drug vezni element.
 - B. Na način, ki bi povzročil, da sila obremenitve pritiska pregibno vzmet zapirala v smeri odpiranja.
 - C. Na način, da pride do nepravilne povezave, ker se elementi sponk, ki štrlijo iz zaskočnega zapirala (kavlja) ali karabina, zataknejo za sidrišče in se brez vizualnega pregleda domneva, da so sponke v celoti pripete na sidrno točko.
 - D. Drug na drugega.
 - E. Neposredno na trakove ali vrv z vponkami ali na pritrdilno točko (razen če je v navodilih proizvajalca za pozicijsko vrv in tudi za pripravo za spenjanje izrecno dovoljena takšna povezava).
 - F. Na noben predmet, ki je oblikovan ali dimenzioniran tako, da ne dopušča zapiranja in zaklepanja zaskočnega zapirala (kavlja) ali karabina (vponke), ali ki bi se lahko odpel.
 - G. Na način, ki pripravi za spenjanje ne dovoljuje, da se poravna v pravilen položaj, kadar je pod obremenitvijo.
- 2.6 VEZNI PODSISTEMI:** Vezni podsistemi (samopovratna rešilna vrv, pozicijska vrv, prižema in rešilna vrv, kabelska objemka itn.) se morajo izbrati tako, da ustrezajo vašemu načinu uporabe (glejte razdelek 1.1) Za več informacij o podsistemu glejte navodila proizvajalca. Nekateri modeli varovalnih pasov imajo tkane vezne zanke. Za pripenjanje na tkane zanke ne smete uporabiti zaskočnih zapiral (kavljev). Za pripenjanje na tkano zanko uporabite samozaklepni karabin. Zagotovite, da se karabin ne more obrniti tako, da se pregibna vzmet odpre (obremenitev naj bo vzdolž manjše osi karabina, kar je navpično na pregibno vzmet zaprtega zapirala, in ne vzdolž večje osi karabina). Nekateri pozicijske vrvi so izdelane, da se zvežejo na zanko iz tkanine, da zagotovijo združljivo povezavo. Pozicijske vrvi lahko prišijete neposredno na zanko iz tkanine in tako naredite trajno povezavo. Na eno tkano zanko ne smete pripeti več vrvi, razen če zvežete dve pozicijski vrvi na tkano zanko ustrezne velikosti. Pritrditev pozicijske vrvi na tkano zanko (slika 7): A) Vstavite tkano zanko pozicijske vrvi skozi tkano zanko ali vponko v obliki črke D na varovalnem pasu. B) Vstavite ustrezní konec pozicijske vrvi skozi tkano zanko pozicijske vrvi. C) Povlecite pozicijsko vrv skozi vezno tkano zanko, da bo vez trdna.
- 2.7 ODLAGANJE POZICIJSKE VRVI:** Slika 8 ponazarja odlaganje pozicijske vrvi, ko ta ni v uporabi: Priprava za pritrjevanje odložene pozicijske vrvi zagotavlja varno mesto za odlaganje prostega konca pozicijske vrvi ali prostega konca vrvi samopovratne varovalne naprave, ki je nameščena na varovalnem pasu, ko ta vrv ni pripeta na sidrno vezno točko za zaščito pred padcem. Priprav za pritrjevanje odložene pozicijske vrvi ne smete nikoli uporabljati kot pripravo za pripenjanje zaščite pred padcem na varovalni pas, na katero se pripne pozicijska vrv ali vrv samopovratne varovalne naprave (A).

Ko uporabnik en konec pozicijske vrvi odpne s sidrne vezne točke, ga mora ustrezno odložiti na varno mesto na varovalnem pasu (B) ali ga mora uporabnik varno držati v roki, kot je opisano v primeru za odpenjanje s sidrne točke zaradi spremembe delovne lokacije pri uporabi z »Odpenjanjem 100 %« (Tie-Off) (C). Ob prosto viseči konec pozicijske vrvi (D) se uporabnik lahko spotakne oz. se prosto viseči konec zatakne za bližnje predmete in povzroči padec.

1 Uporabnik: Oseba, ki opravlja dejavnosti na višinah in je pri tem zaščiten s sistem za osebno zaščito pred padcem.

2 Pooblaščená oseba: Oseba, ki jo delodajalec določi za opravljanje dolžnosti na lokaciji, kjer se lahko pričakuje, da bo oseba bila izpostavljena nevarnosti padca.

3 Reševalec: Oseba ali osebe, ki se ne rešujejo, vendar pomagajo pri reševanju v skladu z reševalnim sistemom.

4 Pristojna oseba: Oseba, ki je sposobna prepoznati obstoječe in morebitne nevarnosti v okolju ali delovnih pogojih, kot so nehygieničnost, tveganje ali nevarnost za zaposlene, in ki je pooblaščená, da nemudoma ukrepa s korektivnimi ukrepi za odpravljanje nevarnosti.

5 Pogostost pregledov: Ekstremni delovni pogoji (težke klimatske razmere, daljša uporaba varovalne opreme ipd.) bodo morda zahtevali pogostejše preglede, ki jih opravijo pristojne osebe.

3.0 UPORABA VAROVALNEGA PASU

3.1 PRED VSAKO UPORABO te opreme opremo pregledajte v skladu z *dnevnikom pregledov in vzdrževanja* (preglednica 1).

3.2 PRED UPORABO NAREDITE NAČRT za svoj sistem. Upoštevajte vse dejavnike, ki vplivajo na varnost pri uporabi te opreme. Naslednji seznam navaja nekaj pomembnih točk, ki jih morate upoštevati pri načrtovanju sistema:

- **Sidrišče:** Izberite sidrišče, ki lahko prenese zahtevano statično obremenitev za izbrani način zaščite pred padcem (glejte razdelek 1.1). Pri izbiranju lokacije za sidrno točko morate upoštevati prosti pad, prosto pot padca, padec z nihanjem in omejitev okolja, navedene v razdelku 1.4.
- **Ostri robovi:** Izogibajte se delu na območjih, kjer bodo deli sistema v stiku z nezaščitenimi ostrimi robovi ali se bodo drgnili ob robove.
- **Po padcu:** Sestavne dele, ki so bili izpostavljeni silam pojemka, ki nastanejo ob ustavljanju padca, morate nemudoma odstraniti iz uporabe in jih uničiti.
- **Reševanje:** Pri uporabi te opreme mora imeti delodajalec načrt reševanja. Delodajalec mora biti sposoben zagotoviti, da se reševanje izvede hitro in varno.
- **Reševalni pas:** Reševalni pasovi (EN 1497) so namenjeni običajnim delovnim nalogam. Pred prvo uporabo reševalnih priprav za pritrditev mora uporabnik opraviti preizkus visenja v varnih pogojih, da preveri in se prepriča, da je pas ustrezne velikosti in nastavljen za optimalno udobje med visenjem.
- **Postavljanje v delovni položaj:** Pri uporabi sistema za postavljanje v delovni položaj vedno upoštevajte potrebo po uporabi dodatnega varnostnega sistema za zaščito pri padcu oseb (na primer sistem za zaustavitev padca). Vedno uporabite sidrno točko, nameščeno na ali nad nivojem pasu.

3.3 ZAPONKE: Komplet varovalnih trakov, ki se prilegajo telesu, je opremljen z različnimi zaponkami za pritrjevanje in za prilagajanje trakov za noge in trakov za prsni del. Varovalni trakovi, ki se prilegajo telesu, imajo pasne zaponke. Vrste zaponk na varovalnem pasu si oglejte na sliki 1. Slika 9 ponazarja delovanje naslednjih zaponk:

1. Zaponke za hitro spenjanje

- A. Da pritrdite zaponko za hitro spenjanje, vstavite jeziček v receptor, da se slišno zaskoči.
- B. Nastavitev pripetega tkanega traku. Povlecite tkani trak naprej ali nazaj skozi režo zaponke, da zategnete ali razrahljate trak.
- C. Sprostitev zaponke za hitro spenjanje: Pritisnite blokirna vzvoda na bočnih straneh receptorja. Povlecite jeziček iz receptorja.

2. Vtične zaponke:

- A. Vstavite moško zaponko skozi režo v ženski zaponki.
- B. Zategnite prosti konec traku, da se moška zaponka poravnava z žensko zaponko. Varno namestite prosti konec traku v varovalni obroč za trak.

3.4 NASTAVITVE: Varovalni pasovi so opremljeni s parom uravnalcev za prilagajanje telesu, ki omogočajo zategovanje ali rahljanje ramenskih trakov. Slika 10 ponazarja nastavitve uravnalcev za prilagajanje telesu:

1. Varovalni uravnalci za prilagajanje telesu: Nastavitev ramenskih trakov z varovalnimi uravnalci za prilagajanje telesu:

- A. Povlecite prosti konec traku, da zategnete ramenski trak. Za rahljanje ramenskega traku povlecite prosti konec traku in ga potisnite nazaj skozi varovalni urvalec.
- B. Ko nastavite v ustrezen položaj, varno namestite prosti konec traku v varovalni obroč za trak.

Če je velcro upravljanje konca (glej sliko 11), povlecite prosti spletni trak, dokler ni tesno (A), trakove za velcro pritrdite nazaj čez jermen in pritrdite trakove (B). Prepričajte se, da je zvitek tesno nameščen in držalo jermena nameščeno blizu valja (C).

3.5 NAMEŠČANJE IN NASTAVITEV KOMPLETA VAROVALNIH TRAKOV, KI SE PRILEGAJO TELESU: Slika 13 ponazarja nameščanje in nastavitve kompleta varovalnih trakov, ki se prilegajo telesu. Pred vsako uporabo pregledajte komplet bremenskih trakov v skladu s kontrolnim seznamom, ki je naveden v *dnevniku pregledov in vzdrževanja* (preglednica 1). Nameščanje in nastavitve kompleta varovalnih trakov, ki se prilegajo telesu:

Postopki za zapenjanje in nastavitve trakov na vašem kompletu varovalnih trakov, ki se prilegajo telesu, se razlikujejo glede na model varovalnega pasu. Za podrobnosti si oglejte razdelka 3.3 in 3.4 ter slike 9 in 10.

1. Dvignite in držite varovalni pas za hrbtno vponko v obliki črke D. Preverite in zagotovite, da pasovi niso zavozlani.
2. Primite ramenske trakove in si nadenite varovalni pas na eno roko. Hrbtna vponka v obliki črke D bo nameščena na vaši hrbtni strani. Pregledajte in zagotovite, da pasovi niso zavozlani in da prosto visijo. Nadenite si varovalni pas na prosto roko in si namestite ramenske trakove na vrh ramen. Če ste si varovalni pas pravilno nadedli, sta prsni trak in prsna zaponka na sprednji strani.
3. Sezite med nogi in primite trak za nogo na svoji desni strani. Povlecite trak med nogami naprej in navzgor; namestite zaponko v zaponko na desnem boku, ki je z njo v paru, in namestite trak za nogo tako, da se prilega vaši nogi in da se počutite udobno (za nameščanje zaponk glejte razdelek 3.3). Ko je trak pravilno nameščen, zavihajte prosti konec traku za nogo v varovalni obroč za trak.
Ta postopek za zapenjanje in nastavitve dolžine traku ponovite za levi trak za nogo.
4. Nastavite in zapnite trak okrog pasu s pasno zaponko, če je ta trak nameščen. (Glejte razdelek 3.3 za nastavitve pasne zaponke).
5. Zapnite in nastavite prsni trak (glejte razdelek 3.3 za nastavitve zaponke). Prsni trak mora biti nameščen 15 cm (6 in) pod vrhom ramen. Ko je trak pravilno nastavljen, zavihajte prosti konec prsnega traku skozi varovalni obroč za trak.

6. Z uravnalci za prilagajanje telesu nastavite ramenske trakove tako, da se prilegajo telesu in da se počutite udobno (glejte razdelek 3.4 za uporabo uravnalca za prilagajanje telesu). Desno in levo stran ramenskih trakov morate nastaviti na enako dolžino; prsni trak mora biti na sredini spodnjega dela prsi, 15 cm (6 in) pod rameni. Hrbtne vponke v obliki črke D mora biti med ramenskima lopaticama. Sprednja prsna vponka v obliki črke D, če je nameščena, mora biti nameščena največ 5 cm (2 in) bočno od navpične središčne linije varovalnega pasu.

Med uporabo redno preverjajte pritrdilne in nastavitvene elemente

3.6 UPORABA VPONKE V OBLIKI ČRKE D ALI PRIPRAVE ZA PRIPENJANJE ZA ZAUSTAVITEV PADCA: Sidrne točke za jesensko aretacijo so označene z veliko črko »A«. Za zaustavitev padca se pripnite na hrbtne vponke v obliki črke D ali na pripravo za pripenjanje na hrbtu med ramenskima lopaticama, ali sprednja prsna vponka v obliki črke D element na prsni. Bočne vponke v obliki črke D (če so nameščene) so namenjene samo za pozicioniranje ali zadrževanje. Ramenske priprave za pripenjanje so namenjene samo za reševanje ali vrnitev v izhodiščni položaj. Sprednja prsna vponka v obliki črke D je namenjena vzpenjanju na lestev ali pozicioniranju. Vponke v obliki črke D na sedežu za visenje so namenjene samo visenju ali pozicioniranju. (Glejte razdelek 1.1.).

3.7 POVEZOVANJE: Če pri povezavi s sidriščem uporabljate kavelj ali če spajate komponente sistema skupaj, zagotovite, da ne more priti do odpenjanja priprave za spenjanje (vponke). Priprava za spenjanje (vponka) se lahko odpne, če v povezavi med kavljem in pripravo za spenjanje, ki je na kavelj pripeta, pride do neustrezne obremenitve, ki povzroči nenamerno odpiranje zaskočnega zapirala (kavlja) in pripeta vponka se odpne. Za manjšo verjetnost odpiranja je priporočljivo uporabljati samozaklepna zaskočna zapirala in karabine. Ne uporabljajte zapiral ali priprav za spenjanje, ki se ne zaprejo do konca. Za več informacij o povezovanju glejte navodila proizvajalca podsistema.

3.8 VEZNE KOMPONENTE SISTEMA: Po nameščanju in nastavitvi varovalnega pasu se lahko uporabnik poveže na druge komponente sistema. Sledite napotkom v razdelku 2 in navodilom proizvajalca, ki so dobavljena s komponento.

4.0 PREGLED

4.1 POGOSTOST PREGLEDOV: Komplet varovalnih trakov, ki se prilegajo telesu, se mora pregledati v rednih časovnih presledkih, ki so določeni v razdelku 2.2. Postopki pregledov so opisani v *dnevniku pregledov in vzdrževanja (tabela 1)*.

4.2 POMANJKLJIVOSTI: Če pregled razkrije pomanjkljivosti, varovalni pas takoj odstranite iz uporabe in ga uničite.

4.3 ŽIVLJENJSKA DOBA IZDELKA: Uporabna življenjska doba varovalnih pasov je določena z delovnimi pogoji in vzdrževanjem. Najdaljša življenjska doba lahko sega od 1 leta, ko gre za pogosto uporabo v skrajnih pogojih, do 10 let, ko gre za občasno uporabo v blagih pogojih. Dokler izdelek med pregledom izpolnjuje merila za uporabnost, ga lahko uporabljate, največ 10 let.

5.0 VZDRŽEVANJE, SERVISIRANJE IN SKLADIŠČENJE

Izdelka ne čistite in ne razkužujte na načine, ki niso opisani v naslednjih navodilih za čiščenje. Z uporabo drugih metod lahko škodujete izdelku ali uporabniku.

5.1 ČIŠČENJE: Varnostno-pozicijske pasove za celo telo 3M morate čistiti v skladu z navodili podjetja 3M. Pasove operite v blagemu čistilnem sredstvu brez belila in jih nato sperite. Pasove nato obesite in jih posušite na zraku. Voda, ki se uporablja za čiščenje, in temperature za sušenje na zraku nikoli ne smejo preseči 54,4°C (130°F). Za več informacij glejte tehnični bilten na naši spletni strani: <http://www.3M.com/FallProtection/WebCleaning>

Če imate kakršna koli vprašanja o postopkih čiščenja, se obrnite na službo za tehnične storitve podjetja 3M.

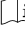
5.2 SERVIS: Varovalno-pozicijskih trakov za celotno telo ni mogoče popravljati. Če so bili varovalno-pozicijski trakovi izpostavljeni silam pri zaustavitvi padca, ali je pregled pokazal, da niso varni ali imajo resne napake, jih nemudoma odstranite iz uporabe in jih uničite.

5.3 SKLADIŠČENJE IN TRANSPORT: Komplet varovalnih trakov, ki se prilegajo telesu, prevažajte in skladiščite v hladnem, suhem in čistem okolju, zaščitnim pred neposredno sončno svetlobo. Izogibajte se območjem, kjer obstaja verjetnost kemičnih hlapov. Po vsakem daljšem obdobju hrambe sistem temeljito preglejte.

6.0 OZNAČEVANJE

Slika 14 prikazuje nalepke izdelkov in njihovo mesto na kompletu varovalnih trakov, ki se prilegajo telesu. Vse nalepke morajo biti nameščene in v celoti berljive.

Informacije na posamezni nalepki so naslednje:

1	(A) Sidrna točka za prijete, ki je označena z veliko črko "A" (B) Lokacije oznak
2	(A) Dnevnik pregledov (B) Tovarniška številka (C) Začetni (D) datum (E) Te nalepke ne smete odstraniti.
3	(A) Nalepke s podatki za uporabnika
4	(A) Tovarniška številka (B) Mesec izdelave (C) Leto izdelave (D) Številka serije (E) Številka modela (F) Evropski standard (G) Nosilnost (H) Velikost (I)  Glejte navodila (J) Oznaka CE (K) Številka priglasenega organa, ki opravlja pregled skladnosti s tipom (L) Velikost pasu

Potrebno je da pročitate, razumete i sledite sve bezbednosne informacije sadržane u ovim uputstvima pre upotrebe ovog pojasa za celo telo. UKOLIKO TAKO NE POSTUPITE, MOŽE DOĆI DO OZBILJNE POVREDE ILI SMRTI.

Ova uputstva se moraju obezbediti korisniku ove opreme. Sačuvajte ova uputstva da biste mogli ponovo da ih pročitate.

Predviđena upotreba:

Predviđeno je da se ovaj pojas za celo telo koristi kao deo potpunog ličnog sistema za zaštitu od pada.

Može da se koristi za bilo koju drugu primenu uključujući, ali bez ograničenja na rukovanje materijalima, rekreativne aktivnosti ili aktivnosti povezane sa sportom, ili druge aktivnosti koje nisu opisane u Uputstvima za korisnika, nije ih odobrila kompanija 3M i mogle bi da dovedu do ozbiljne povrede ili smrti.

Ovaj uređaj treba da koriste samo obučeni korisnici u primenama na radnom mestu.

UPOZORENJE

Ovaj pojas za celo telo je deo ličnog sistema za zaštitu od pada. Očekuje se da svi korisnici budu potpuno obučeni za bezbedno postavljanje svog ličnog sistema za zaštitu od pada i rukovanje ovim sistemom. **Pogrešna upotreba ovog uređaja može da dovede do ozbiljne povrede ili smrti.** Informacije o pravilnom izboru, funkcionisanju, postavljanju, održavanju i servisiranju potražite u ovim Uputstvima za korisnika i svim preporukama proizvođača, od svog nadzornika ili se obratite tehničkoj službi kompanije 3M.

- **Da bi se smanjili rizici povezani sa radom sa pojasom za celo telo koji, ako se ne izbegnu, mogu dovesti do ozbiljne povrede ili smrti:**
 - Pregledajte uređaj pre svake upotrebe, najmanje jednom godišnje i nakon svakog slučaja pada. Pregledajte ga u skladu sa Uputstvima za korisnika.
 - Ako pregled otkrije da uređaj nije bezbedan ili da je oštećen, uklonite uređaj iz upotrebe i uništite ga.
 - Svaki uređaj koji je bio izložen zaustavljanju pri padu ili sili udara mora se odmah ukloniti iz upotrebe i uništiti.
 - Pobrinite se da se pojas nosi pravilno, da je odgovarajuće veličine i da je pravilno podešen.
 - Pobrinite se da svi podsistemi za povezivanje (tj. trake) budu zaštićeni od svih opasnosti uključujući, ali bez ograničenja na zamršenost sa drugim radnicima, vama, pokretnom mehanizacijom ili drugim objektima u okolini.
 - Pobrinite se da sistemi/podsistemi za zaštitu od pada sačinjeni od komponentata različitih proizvođača budu kompatibilni i zadovoljavaju zahteve važećih standarda, uključujući ANSI Z359 ili druge važeće kodekse, standarde ili zahteve za zaštitu od pada. Uvek se posavetujte sa kompetentnim ili kvalifikovanim licem pre upotrebe ovih sistema.
- **Da bi se smanjili rizici povezani sa radom na visini koji, ako se ne izbegnu, mogu dovesti do ozbiljne povrede ili smrti:**
 - Pobrinite se da su vaše zdravlje i fizička kondicija takvi da vam omogućavaju da bezbedno podnesete sve sile povezano sa radom na visini. Posavetujte se sa svojim lekarom ako imate bilo kakva pitanja u vezi sa vašom sposobnošću da koristite ovu opremu.
 - Nikad nemojte premašiti dozvoljeni kapacitet vaše opreme za zaštitu od pada.
 - Nikad nemojte premašiti maksimalnu razdaljinu slobodnog pada vaše opreme za zaštitu od pada.
 - Nemojte koristiti opremu za zaštitu od pada koja nije prošla inspekciju pre upotrebe ili druge planirane inspekcije, ili ako imate nedoumica u pogledu upotrebe ili pogodnosti opreme za vašu namenu. Ako imate bilo kakva pitanja obratite se tehničkoj službi kompanije 3M.
 - Neke kombinacije podsistema i komponenti mogu uticati na funkcionisanje ove opreme. Koristite samo kompatibilne veze. Posavetujte se sa kompanijom 3M pre upotrebe ove opreme u kombinaciji sa komponentama ili podsistemima osim onih opisanih u Uputstvima za korisnika.
 - Primenite dodatne mere opreza pri radu sa pokretnom mehanizacijom (npr. vršni pogon naftnih bušotina), u slučaju električnih hazarda, ekstremnih temperatura, hemijskih hazarda, eksplozivnih ili toksičnih gasova, oštrih ivica ili rada ispod materijala nad glavom koji bi mogli da padnu na vas ili vašu opremu za zaštitu od pada.
 - Koristite Arc Flash ili Hot Works uređaje pri radu u sredinama sa visokom temperaturom.
 - Izbegavajte površine i objekte koji mogu da povrede korisnika ili oštete opremu.
 - Pobrinite se da postoji odgovarajuća čistina za pad pri radu na visini.
 - Nikad nemojte vršiti izmene na svojoj opremi za zaštitu od pada. Samo kompanija 3M ili strane koje je kompanija 3M pismeno ovlastila mogu da vrše popravke ove opreme.
 - Pre upotrebe opreme za zaštitu od pada, pobrinite se da postoji plan spasavanja koji omogućava brzo spasavanje u slučaju pada.
 - Ako dođe do pada, odmah potražite medicinsku negu za radnika koji je pao.
 - Nemojte koristiti pojas za telo za primene zaustavljanja pada. Koristite samo pojas za celo telo.
 - Svedite na najmanju meru padove usled ljuljanja tako što ćete raditi što je neposrednije moguće ispod uporišne tačke.
 - Ukoliko se vrši obuka sa ovim uređajem, mora se koristiti drugi sistem za zaštitu na takav način da se lice na obuci ne izloži nepredviđenoj opasnosti od pada.
 - Uvek nosite odgovarajuću ličnu zaštitnu opremu pri postavljanju, upotrebi ili pregledanju uređaja/sistema.

Pre nego što upotrebite ovu opremu, zabeležite informacije o identifikaciji proizvoda sa ID oznake u „Dnevnik kontrola i održavanja“ na poledini ovog priručnika.

Pobrinite se da uvek koristite najnoviju verziju uputstva za korisnike kompanije 3M. Posetite veb-sajt kompanije 3M ili se obratite tehničkoj službi kompanije 3M u vezi sa ažuriranim uputstvima.

OPIS

Slika 1 prikazuje dostupne modela pojaseva za celo telo 3M™ Protecta®. Modeli pojaseva su dostupni u različitim kombinacijama sledećih karakteristika:

	Slika 1 Referenca:	Opis:
Veličine	S, M/L, XL	Mali, Srednji/Veliki, Veoma veliki
	Ⓑ	Veličina remena u cm
Elementi za pričvršćivanje	①	Leđni D-prsten
	②	Grudni D-prsten
	③	D-prstenovi na kukovima
	④	Rameni dodatak za pričvršćivanje
Kopče	⑤	Kopče za brzo pričvršćivanje
	⑥	Prolazne kopče
Podešivači	⑦	Padobranski podešivači za torzo
Jastučići	⑧	Kaiš i jastučić za kuk
	⑨	Jastučić za nogu
Dodatne karakteristike	⑩	Držači užeta koji mogu da se oslobode i autoresetuju
	⑪	Upravljanje mrežnim krajem - Videti Sliku 11.
	⑫	Spasilački remen
	⑬	Instrumentna petlja

SPECIFIKACIJE

Performanse:	
Maksimalna sila zaustavljanja:	6 kN (1 349 lbf)
Kapacitet:	140 kg (310 lb.)
Radna temperatura:	Minimalna: -35° C (-31 °F) Maksimalna: +57° C (135 °F)

Materijali:	
Tkane trake	Poliester - 22 kN (4 946 lbf) vučne snage
Navlake za jastučice	Mešavina najlona i poliestera
Navlaka za oznaku	Mešavina najlona i poliestera
Konac	Poliesterski konac na poliesterskom tkanju
D-prstenovi	Legura čelika - 22 kN (4 946 lbf) vučne snage
Kopče za brzo pričvršćivanje	Čelik, nerđajući čelik i legura čelika - 18 kN (4 047 lbf) vučne snage
Prolazne kopče	Legura čelika - 18 kN (4 047 lbf) vučne snage
Padobranski podešivači za torzo	Legura čelika - 18 kN (4 047 lbf) vučne snage

1.0 PRIMENE

1.1 SVRHA: Pojasevi za celo telo treba da se koriste kao komponente ličnog sistema za zaštitu od pada osmišljenog da spreči pad ili da bezbedno zaustavi pad (videti Sliku 2). Pojasevi za celo telo se koriste u sledećim primenama:

A	Zaustavljanje pada (EN360, EN361, EN355): Lični sistemi za zaustavljanje pada obuhvataju pojas za celo telo i podsistem za pričvršćivanje (uže za apsorbovanje energije, samouvlačeći uređaj, itd.). Maksimalna sila zaustavljanja ne sme da premaši 6 kN (1 349 lbf). <i>Snaga sidrišta:</i> Izabrano sidrište mora da podnese opterećenja od 12 kN (2 698 lbf) ili više.
B	Radno pozicioniranje (EN358, EN813): Sistemi za radno pozicioniranje obično obuhvataju pojas za celo telo, uže za pozicioniranje i rezervni lični sistem za zaustavljanje pada. Za primene radnog pozicioniranja, pričvrstite podsistem za radno pozicioniranje (primer; uže, Y-uže, itd.) na dodatak za pričvršćivanje na elemente za kačenje za radno pozicioniranje montirane na donjoj (nivo kuka) strani ili na pojasu (D-prstenovi). Ove tačke pričvršćivanja nemojte nikad koristiti za zaustavljanje pada. <i>Elementi za pričvršćivanje:</i> Frontalni, na kuku. <i>Snaga sidrišta:</i> Izabrano sidrište mora da podnese opterećenja od 12 kN (2 698 lbf) ili više.
C	Penjanje (EN353-1): Pojas za celo telo se koristi kao komponenta sistema za penjanje kako bi se sprečilo da korisnik padne kada se penje uz merdevine ili drugu strukturu za penjanje. Sistemi za penjanje obično obuhvataju pojas za celo telo, vertikalnu sajlju ili šinu pričvršćenu na strukturu i karabinjer za penjanje. Za primene penjanja uz merdevine, pojasevi opremljeni frontalnim D-prstenom na grudnoj lokaciji mogu se koristiti za zaustavljanje pada na fiksiranim sistemima za penjanje uz merdevine. <i>Elementi za pričvršćivanje:</i> Grudni. <i>Snaga sidrišta:</i> Struktura na koju je pričvršćen sistem za penjanje mora da podnese opterećenja koja su predviđena dokumentacijom proizvođača o sistemu za penjanje.
D	Spasavanje (EN1496, EN1497, EN1498): Pojas za celo telo se koristi kao komponenta sistema za spasavanje. Konfiguracija sistema za spasavanje zavisi od vrste spasavanja. U slučaju primena sa ograničenim pristupom (zatvoren prostor), pojasevi opremljeni D-prstenovima na ramenima mogu se koristiti za ulazak i izlazak iz zatvorenog prostora kada problem predstavlja profil radnika. <i>Elementi za pričvršćivanje:</i> Leđni, grudni, frontalni, na ramenu. <i>Snaga uporišta:</i> Izabrano sidrište mora da podnese opterećenja od 12 kN (2 698 lbf) ili više.
E	Kontrolisan silazak (EN341): Za primene kontrolisanog silaska, pojasevi opremljeni jednim D-prstenom u nivou grudi, jednim ili dva frontalno montirana D-prstena ili parom spojnice koje se nalaze ispod struka (poput nosiljke) mogu se koristiti za privrščivanje na sistem za silazak ili evakuaciju. <i>Elementi za pričvršćivanje:</i> Leđni, grudni, frontalni. <i>Snaga sidrišta:</i> Izabrana sidrišta moraju da podnesu opterećenja od 12 kN (2 698 lbf) ili više.
F	Zadržavanje (EN354): Pojas za celo telo se koristi kao komponenta sistema za zadržavanje kako bi se sprečilo da korisnik dostigne opasnost od pada. Sistemi za zadržavanje obično sadrže pojas za celo telo i uže ili konopac za zadržavanje. <i>Elementi za pričvršćivanje:</i> Leđni, grudni, frontalni, na kuku. <i>Snaga sidrišta:</i> Izabrano sidrište mora da podnese opterećenja od 18 kN (4 047 lbf) kada trake uključuju bilo koji tekstilni materijal ili elemente tekstilne trake, npr. koriste se konopi ili tkanine od sintetičkih vlakana. Kada se koriste trake koje su u potpunosti napravljene od metalnih elemenata, sidrište mora podnijeti opterećenje od najmanje 12 kN (2 698 lbf).

1.2 STANDARDI: Pojasevi obuhvaćeni ovim priručnikom zadovoljavaju standard(e) navedene na prednjoj korici ovog uputstva. Ako se ovaj proizvod prodaje van prvobitne zemlje odredišta, prodavac mora obezbediti ovo uputstvo na jeziku zemlje u kojoj će se proizvod koristiti.

1.3 OBUKA: Odgovornost je korisnika i kupca ove opreme da se postaraju da budu upoznati sa ovim uputstvima, obučeni u njenom pravilnom održavanju i upotrebi i svesni operativnih karakteristika, ograničenja primene i posledica nepravilne upotrebe ove opreme.

1.4 OGRANIČENJA: Uvek imajte u vidu sledeća ograničenja primene pre korišćenja ove opreme:

- **KAPACITET:** Pojas za celo telo je osmišljen za upotrebu od strane osoba kombinovane težine (odeća, alati, itd.) ne veće od 140 kg (309 lb.). Pobrinite se da su sve komponente u vašem sistemu predviđene za kapacitet koji odgovara vašoj primeni.
- **SLOBODAN PAD:** Sustav za zaustavljanje pada uključuje elemente ili funkcije koje apsorbiraju energiju kako bi se osiguralo da su sile udarca na tijelo korisnika za vrijeme zaustavljanja slobodnog pada ograničene na najviše 6 kN (1 349 lbf). Sistemi za zadržavanje moraju biti podešeni tako da nije moguć nikakav vertikalni slobodan pad. Sistemi za radno pozicioniranje moraju biti podešeni tako da je slobodan pad ograničen na 60 cm (24 in.) ili manje. Sistemi za prevoz osoblja moraju biti podešeni tako da nije moguć nikakav vertikalni slobodan pad. Sistemi za zadržavanje moraju biti podešeni tako da nije moguć nikakav vertikalni slobodan pad. Više informacija potražite u uputstvima proizvođača za podsistem.
- **PROSTOR ZA PAD:** Slika 3 ilustruje komponente sistema za zaustavljanje pada. Mora biti dovoljno prostora za pad (FC) da bi se pad zaustavio pre nego što korisnik udari u tlo ili drugu prepreku. Prostor zavisi od nekoliko faktora uključujući sledeće: (A) Dužina užeta, (B) Razdaljina usporavanja užeta ili maksimalna razdaljina zaustavljanja samouvlačećeg užeta (SRD), (C) Dužina i umirivanje istezanja pojasa i D-prstena/spojnice (najčešće bezbednosni faktor od 0,5 m (1,6 ft.)). Pogledajte uputstva priložena uz uže ili samouvlačeći uređaj za pojedinosti u vezi sa proračunom prostora za pad.
- **PADOVI SA LJULJANJEM:** Do padova sa ljuljanjem dolazi kada tačka sidrenja nije neposredno iznad tačke na kojoj dolazi do pada (videti Sliku 4). Sila udaranja u objekat u padu sa ljuljanjem može da izazove ozbiljnu povredu ili smrt. Svedite na najmanju meru padove sa ljuljanjem tako što ćete raditi što je neposrednije moguće ispod tačke sidrenja. Nemojte dozvoliti pad sa ljuljanjem ako može doći do povrede. Padovi sa ljuljanjem značajno povećavaju potreban prostor kada se koristi samouvlačeći uređaj ili drugi podsistem za pričvršćivanje promenjive dužine.
- **DUGOTRAJNO VIŠENJE I SUSPENZIONA TRAUMA:** Nije predviđeno da se pojas za celo telo primenjuje kod dugotrajnog višenja. Dugotrajno višenje može dovesti do suspenzione traume. Ako će korisnik videti duži vremenski period preporučuje se da se koristi neka vrsta potpornog sedišta. 3M preporučuje dasku za sedenje, viseće radno sedišta, remen za sedenje ili noštrono stolicu. Obratite se kompaniji 3M za više informacija o ovim predmetima.
- **OPASNOSTI IZ OKRUŽENJA:** Upotreba ove opreme u oblastima sa opasnostima iz okruženja može zahtevati dodatne mere opreza kako bi se sprečile povrede korisnika ili oštećenje opreme. Opasnosti mogu da obuhvate, ali nisu ograničene na: vrućinu, hemikalije, korozivna okruženja, strujne vodove visokog napona, gasove, pokretnu mehanizaciju i oštre ivice.
- **POJASEVI ZA OKRUŽENJA SA VISOKOM TEMPERATUROM:** Pojasevi sa kevlar trakama su osmišljeni za upotrebu u okruženjima sa visokom temperaturom, uz sledeća ograničenja: Kevlar traka počinje da se ugljeniše na

425 - 480 °C (800 - 900 °F). Kevlar traka može da podnese izlaganje sa ograničenim kontaktom do temperature od 535 °C (1 000 °F). Poliesterska traka gubi jačinu na 145 - 200 °C (300 - 400 °F). PVC obloga na čvrstim delovima ima tačku topljenja od približno 175 °C (350 °F).

Iako čvrsti delovi obloženi PVC-om i cinkom pokazuju odličnu koroznu otpornost na hemijske, kisele, alkalne i atmosferske uslove, mogu biti potrebni česte kontrole. Posavetujte se sa kompanijom 3M ako imate nedoumica u pogledu upotrebe ove opreme u opasnim okruženjima.

2.0 UPOTREBA SISTEMA

2.1 PLAN SPASAVANJA: Kada koristi ovu opremu i podsistem(e) za pričvršćivanje, poslodavac mora imati plan spasavanja i odgovarajući način da primeni i saopšti taj plan korisnicima¹, ovlašćenim licima², i spasiocima³.

2.2 UČESTALOST KONTROLA: Korisnik treba da obavli pregled pojasa za celo telo pre svake upotrebe, a kompetentno lice⁴ osim korisnika u intervalima ne dužim od godinu dana⁵. Postupci kontrola su opisani u odeljku *Priručnika za korisnika „Dnevnik kontrola i održavanja“*. Rezultati svake kontrole kompetentnog lica treba da se evidentiraju u primercima „Dnevnika kontrola i održavanja“ ili da se prate radio-frekventnim sistemom identifikacije (videti „Kontrola“).

Kada zatraži kompanija 3M, usled složenosti inovacija opreme; ili kada je potrebno određeno znanje za rasklapanje, ponovno sklapanje ili procenu opreme, periodične preglede će obavljati kompanija 3M ili organizacije koje je kompanija 3M ovlastila.

2.3 KOMPATIBILNOST KOMPONENATA: 3M oprema je osmišljena za upotrebu samo sa komponentama i podsistemima koje je odobrila kompanija 3M. Izmene ili zamene izvršene sa neodobrenim komponentama ili podsistemima mogu ugroziti kompatibilnost opreme i uticati na bezbednost i pouzdanost celog sistema.

2.4 KOMPATIBILNOST SPOJNICA: Spojnice su kompatibilne sa elementima za pričvršćivanje kada su dizajnirane tako da rade zajedno na takav način da njihove veličine i oblici ne dovedu do toga da se njihovi mehanizmi zatvaranja nehodično otvore bez obzira na to kako su postale orijentisane. Obratite se kompaniji 3M ako imate bilo kakva pitanja o kompatibilnosti. Spojnice (kuke, karabinjeri i D-prstenovi) moraju biti u stanju da podnesu najmanje 22 kN (4 946 lbf). Spojnice moraju biti kompatibilne sa sidrištem ili drugim komponentama sistema. Nemojte koristiti opremu koja nije kompatibilna. Nekompatibilne spojnice se mogu nenamerno otvoriti (videti Sliku 5). Spojnice moraju biti kompatibilne po veličini, obliku i snazi. Ako je element za pričvršćivanje za koji se kači alka (prikazano) ili karabinjer nedovoljne veličine ili nepravilnog oblika, doći će do situacije kada element za pričvršćivanje primenjuje silu na zatvarač alke ili karabinjera. Ova sila može dovesti do otvaranja zatvarača, što omogućava da se alka ili karabinjer otkaa od tačke pričvršćivanja. Potrebne su samozaključavajuće alke i karabinjeri.

2.5 PRIČVRŠĆIVANJE: Koristite samo samozaključavajuće alke i karabinjere sa ovom opremom. Koristite samo spojnice koje su pogodne za svaku primenu. Pobrinite se da sve kopče budu kompatibilne po veličini, obliku i snazi. Nemojte koristiti opremu koja nije kompatibilna. Pobrinite se da sve spojnice budu potpuno zatvorene i zaključane.

3M spojnice (alke i karabinjeri) su osmišljene tako da se koriste samo na način naveden u uputstvima za korisnika za svaki proizvod. Videti Sliku 6 za neodgovarajuće pričvršćivanje. 3M alke i karabinjeri ne treba da se pričvršćuju:

- A. Na D-prsten na koji je pričvršćena neka druga spojnica.
- B. Na način koji bi doveo do opterećenja na zatvarač.
- C. U pogrešnom spoju, gde su delovi koji vire iz alke ili karabinjera zakačeni za sidrište i nema vizuelne potvrde da su u potpunosti pričvršćeni za tačku sidrenja.
- D. Jedno za drugo.
- E. Direktno za tkano ili upleteno uže ili opremu za pričvršćivanje (osim ukoliko uputstva proizvođača i za uže i za spojnicu ne dozvoljavaju takvo pričvršćivanje).
- F. Za bilo koji objekat takvog oblika ili dimenzija koji ne dozvoljava da se alka ili karabinjer zatvori i zaključaju ili zbog kog bi moglo doći do isklizavanja.
- G. Na način koji ne dozvoljava da se spojnica pravilno postavi dok je pod opterećenjem.

2.6 PODSISTEMI ZA PRIČVRŠĆIVANJE: Podsistemi za pričvršćivanje (samouvlačeći pojas za spasavanje, uže, hvatač konopca i pojasa za spasavanje, hvatač sajle, itd.) moraju biti pogodni za vašu primenu (videti Odeljak 1.1). Više informacija potražite u uputstvima proizvođača za podsistem. Neki modeli pojaseva imaju tačke za pričvršćivanje sa mrežastom petljom. Nemojte koristiti alke za pričvršćivanje na mrežaste petlje. Za pričvršćivanje na mrežaste petlje koristite samozaključavajuće karabinjere. Pobrinite se da karabinjer ne nosi opterećenje na zatvaraču (opterećenje je na zatvaraču umesto na glavnim osama karabinjera). Neka užad su dizajnirana tako da se zatisnu na mrežastu petlju da bi dala kompatibilnu konekciju. Užad se mogu prišiti direktno na mrežastu petlju tako da se stvori trajna konekcija. Nemojte praviti višestruke konekcije na jednoj mrežastoj petlji, osim ukoliko ne zatisnete dva užeta na mrežastu petlju odgovarajuće veličine. Da biste zatisnuli uže na mrežastu petlju (Slika 7): A) Umetnite mrežastu petlju užeta kroz mrežastu petlju ili D-prsten pojasa. B) Umetnite odgovarajući kraj užeta kroz mrežastu petlju užeta. C) Provcute uže kroz mrežnu petlju za pričvršćivanje da biste ga obezbedili.

2.7 PARKIRANJE UŽETA: Slika 8 ilustruje parkiranje užeta Dodatak za parkiranje užeta služi za pričvršćivanje slobodnog kraja samouvlačećeg uređaja montiranog na uže ili pojas kada nije pričvršćen za tačku sidrenja u svrhu zaštite od pada. Dodaci za parkiranje užeta se nikad ne smeju koristiti kao element za zaštitu od pada na pojasu za pričvršćivanje užeta ili samouvlačećeg uređaja (A).

Kada nije pričvršćen za tačku sidrenja, nepričvršćeni krak užeta mora biti propisno parkiran na pojasu (B) ili obezbeđen u korisnikovoj šaci kao u 100% primena sa podvezivanjem (Tie-Off) (C). Kraci užeta koji slobodno vise (D) mogu spotaći korisnika ili se zakačiti za okolne objekte, što može dovesti do pada.

1 Korisnik: Lice koje obavlja aktivnosti na visinama dok je zaštićeno ličnim sistemom za zaštitu od pada.

2 Ovlašćeno lice: Lice koje je poslodavac imenovao da obavlja dužnosti na lokaciji gde će lice biti izloženo opasnosti od pada.

3 Spasilac: Lice ili lica koja nisu subjekat spasavanja koja postupaju sa ciljem obavljanja asistiranog spasavanja primenom sistema za spasavanje.

4 Kompetentno lice: Lice koje je sposobno da identifikuje postojeće ili predvidive opasnosti u okruženju ili radnim uslovima koji su nesantarni, rizični ili opasni po zaposlene, i koje je ovlašćeno da preduzme momentalne korektivne mere kako bi se one uklonile.

5 Učestalost kontrole: Ekstremni radni uslovi (oštra klima, produžena upotreba, itd.) mogu zahtevati veću učestalost kontrole kompetentnog lica.

3.0 UPOTREBA POJASA

3.1 PRE SVAKE UPOTREBE ove opreme obavite kontrolu u skladu sa „Dnevnikom kontrola i održavanja“ (Tabela 1).

3.2 ISPLANIRAJTE svoj sistem pre upotrebe. Uzmite u obzir sve faktore koji će uticati na vašu bezbednost tokom upotrebe ove opreme. Na spisku u nastavku su navedene važne stavke koje morate uzeti u obzir prilikom planiranja vašeg sistema:

- **Sidrište:** Izaberite sidrište koje može da podnese zahteve statičkog opterećenja za nameravanu primenu zaštite od pada (videti Odeljak 1.1). Mesto sidrišta treba da uzme u obzir slobodan pad, prostor za pad, pad sa ljuljanjem i ograničenja okruženja opisana u Odeljku 1.4.
- **Oštre ivice:** Izbegavajte da radite na mestima gde komponente sistema mogu biti u kontaktu sa nezaštićenim oštrim ivicama ili se guliti o njih.
- **Nakon pada:** Komponente koje su bile izložene silama zaustavljanja pada moraju se ukloniti iz rada i uništiti.
- **Spasilac:** Poslodavac mora imati plan za spasavanje kada koristi ovu opremu. Poslodavac mora biti u stanju da izvrši spasavanje brzo i bezbedno.
- **Radni pojas:** Preporučuje se nošenje radnog pojasa (EN 1497) tokom uobičajenih radnih aktivnosti. Pre prve upotrebe elemenata za pričvršćivanje, korisnik treba da uradi test višenja u bezbednom okruženju kako bi proverio da li veličina i oprema pojasa pružaju dovoljno udobnosti u toku višenja.
- **Radno pozicioniranje:** uvek uzmite u razmatranje potrebu za korišćenjem rezervnog ličnog sistema za zaštitu od pada (na primer, sistema za zaustavljanje pada) kada koristite sistem za radno pozicioniranje. Uvijek koristite sidrenu točku postavljenu na ili iznad razine struka.

3.3 KOPČE: Pojas za celo telo je opremljen različitim kopčama za pričvršćivanje i podešavanje traka na nogama i na grudima. Kaiševi pojasa za celo telo imaju kopče na uvlačenje. Videti Sliku 1 za vrste kopči na vašem pojasu. Slika 9 ilustruje funkcionisanje svake od sledećih kopči:

1. Kopče za brzo pričvršćivanje:

- A. Da biste pričvrstili kopču za brzo pričvršćivanje, umetnite jezičak u receptor sve dok se ne čuje škljocanje.
- B. Da biste podesili pričvršćenu mrežnu traku: Povucite mrežnu traku napred ili nazad kroz otvor kopče da biste je zategli ili otpustili.
- C. Da biste otpustili kopču za brzo pričvršćivanje: Pritisnite ručke brave sa svake strane receptora. Izvucite jezičak iz receptora.

2. Prolazne kopče:

- A. Umetnite mušku kopču kroz otvor u žensku kopču.
- B. Zategnite slobodan kraj trake tako da muška kopča bude poravnata sa ženskom kopčom. Učvrstite slobodan kraj trake u držač trake.

3.4 PODEŠAVANJA: Pojasevi su opremljeni parom podešivača za torzo radi podešavanja ramenih traka. Slika 10 ilustruje podešavanje podešivača za torzo:

1. Padobranski podešivači za torzo:

- A. Povucite slobodan kraj trake da biste zategli ramenu traku. Da biste olabavili ramenu traku, povucite slobodan kraj trake, a zatim vratite traku kroz padobranski podešivač.
- B. Kada je pravilno podešena, učvrstite slobodan kraj trake u držač trake.

Ako je prisutno upravljanje čičak trakom (vidi sliku 11), povucite slobodnu vrpču do čvrstog mjesta (A), spojite trake na čičak natrag preko kaiševa i pričvrstite trake (B). Osigurajte da je rola tjesna i držač trake postavljen blizu rolne (C).

3.5 OBLAČENJE I NAMEŠTANJE POJASA ZA CELO TELO: Slika 13 ilustruje oblačenje i nameštanje pojasa za celo telo. Pre svake upotrebe, pregledajte pojas prema kontrolnoj listi iz „Dnevnika kontrola i održavanja“ (Tabela 1)“. Da biste obukli i namestili pojas:

Postupci za zakopčavanje i prilagođavanje traka na vašem pojasu će se razlikovati u zavisnosti od modela pojasa. Videti Odeljke 3.3 i 3.4 i Slike 9 i 10 za više pojedinosti.

1. Podignite i držite pojas za zadnji leđni D-prsten. Pobrinite se da trake ne budu uvrnute.
2. Uхватite ramene trake i prebacite pojas preko jedne ruke. Leđni D-prsten će se nalaziti sa vaše zadnje strane. Pobrinite se da trake ne budu zamršene i da krajevi ne vise. Provucite slobodnu ruku kroz pojas i postavite ramene trake na ramena. Grudna traka i grudna kopča će se nalaziti sa prednje strane kada je pojas pravilno namešten.
3. Pružite ruku između nogu i dohvatite nožnu traku sa vaše desne strane. Povucite traku između nogu; prikopčajte je na uparenu kopču na vašem desnom kuku i podesite nožnu traku tako da bude udobno nameštena (videti Odeljak 3.3 za funkcionisanje kopči). Kada je pravilno podešena, zavucite slobodan kraj nožne trake ispod držača trake. Ponovite ovaj proces da biste zakopčali i prilagodili levu nožnu traku.
4. Prilagodite i zakopčajte kopču na uvlačenje na kaišu za struk ako postoji. (videti Odeljak 3.3 za funkcionisanje kopče na uvlačenje).
5. Zakopčajte i prilagodite grudnu traku (videti Odeljak 3.3 za funkcionisanje kopči). Grudna traka treba da bude 15 cm (6 in.) ispod vrha vaših ramena. Kada je pravilno podešena, zavucite slobodan kraj grudne trake ispod držača trake.
6. Prilagodite ramene trake tako da budu udobno nameštene pomoću podešivača za torzo (videti Odeljak 3.4 za funkcionisanje podešivača za torzo). Leva i desna strana ramenih traka treba da bude podešena do iste dužine, a grudna traka treba da bude centrirana na donji deo grudnog koša, 15 cm (6 in.) niže od ramena. Zadnji leđni D-prsten treba da bude centriran između vaših lopatica. Prednji grudni D-prsten, ako postoji, treba da se nalazi bočno 5 cm (2 in.) od vertikalne centralne linije pojasa.

Redovito proveravajte elemente za pričvršćivanje i podešavanje za vrijeme uporabe

- 3.6 UPOTREBA D-PRSTENA ILI ELEMENTA ZA PRIČVRŠIVANJE ZA ZAUSTAVLJANJE PADA:** Točke sidrenja za jesensko hapšenje označene su velikim slovom "A". Za primene zaustavljanja pada pričvrstite leđni D-prsten ili element za pričvršćivanje na leđa između lopatica, ili Prednji grudni D-prsten za pričvršćivanje na grudima. Bočni D-prstenovi, ako postoje, služe samo za primene pozicioniranja i zadržavanja. Rameni pričvršćivači služe samo za primene spasavanja i izvlačenja. Prednji grudni D-prsten služi za penjanje uz stepenice i pozicioniranje. D-prstenovi na sedištu za vešanje služe samo za primene vešanja ili pozicioniranja. (Videti Odeljak 1.1).
- 3.7 PRIČVRŠĆIVANJE:** Kada koristite kuku za pričvršćivanje na sidrište ili kada uparujete zajedno komponente sistema pobrinite se da ne može da dođe do isklizavanja. Do isklizavanja dolazi kada kontakt između kuke i uparene spojnice dovede do toga da se zatvarač kuke nenamerno otvori i otpusti. Samozaključavajuće alke i karabinjeri treba da se koriste da bi se smanjila mogućnost isklizavanja. Nemojte koristiti kuke ili spojnice koje ne mogu potpuno da se zatvore preko objekta pričvršćivanja. Više informacija o pričvršćivanju potražite u uputstvima proizvođača za podsistem.
- 3.8 KOMPONENTNE SISTEMA ZA PRIČVRŠĆIVANJE:** Nakon nameštanja pojasa korisnik može da pričvrsti druge komponente sistema. Sledite smernice u Odeljku 2 i u uputstvima proizvođača priloženi uz komponentu.

4.0 KONTROLA

- 4.1 UČESTALOST KONTROLE:** Pojas za celo telo se mora kontrolisati u intervalima definisanim u Odeljku 2.2. Postupci kontrole su opisani u „Dnevniku kontrola i održavanja“ (Tabela 1).
- 4.2 DEFEKTI:** Ako pregled otkrije defektno stanje, odmah uklonite pojas iz upotrebe i uništite ga.
- 4.3 RADNI VEK PROIZVODA:** Funkcionalni vek pojasa određen je radnim uslovima i održavanjem. Maksimalan radni vek varira od jedne godine za česte upotrebe u ekstremnim uslovima, do deset godina ukoliko se povremeno koristi pod normalnim okolnostima. Sve dok proizvod zadovoljava kriterijume kontrole može se koristiti do maksimalno 10 godina.

5.0 ODRŽAVANJE, SERVISIRANJE, ČUVANJE

Nemojte da čistite ili dezinfikujete proizvod na bilo koji način osim onog koji je opisan u sledećim uputstvima za čišćenje. To može imati nepovoljan efekat na proizvod ili korisnika.

- 5.1 ČIŠĆENJE:** 3M pojasevi za celo telo se moraju čistiti u skladu s uputstvima koje pruža kompanija 3M. Da biste očistili pojas, operite ga blagim deterdžentom bez izbeljivača, a zatim ga isperite. Nakon toga je potrebno da ga okačite da se suši na vazduhu. Voda koja se koristi za čišćenje i temperature sušenja nikad ne smeju da premaše 54,4 °C (130 °F). Za više informacija pogledajte tehnički bilten na našem veb-sajtu: <http://www.3M.com/FallProtection/WebCleaning>

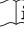
Za bilo kakva pitanja u vezi s postupcima čišćenja obratite se tehničkim službama kompanije 3M.

- 5.2 SERVISIRANJE:** Pojasevi za celo telo ne mogu da se popravljaju. Ako je pojas bio izložen sili pada ili pregled otkrije nebezbedno ili defektno stanje, odmah uklonite pojas iz upotrebe i uništite ga.
- 5.3 ČUVANJE I TRANSPORT:** Čuvajte i transportujte pojas za celo telo na hladnom, suvom i čistom mestu van direktne sunčeve svetlosti. Izbegavajte prostore u kojima mogu postojati hemijska isparenja. Detaljno prekontrolišite pojas nakon dužeg odlaganja.

6.0 OZNAČAVANJE

Slika 14 ilustruje oznake proizvoda i njihovo mesto na pojasu za celo telo. Sve oznake moraju biti prisutne i popuno čitljive.

Informacije navedene na svakoj oznaci su sledeće:

1	(A) Sidreno mesto za hapšenje, označeno velikim slovom "A" (B) Oznaka lokacija
2	(A) Dnevnik kontrola (B) Serijski broj (C) Inicijali (D) Datum (E) Nemojte uklanjati ovu oznaku.
3	(A) Oznaka sa informacijama za korisnika
4	(A) Serijski broj (B) Mesec proizvodnje (C) Godina proizvodnje (D) Broj šarže (E) Broj modela (F) Evropski standard (G) Nosivost (H) Veličina (I)  Videti uputstva (J) CE oznaka (K) Broj nadležnog tela koje obavlja kontrolu usklađenosti (L) Veličina remena

Läs igenom, se till att du förstår och följ all säkerhetsinformation i denna bruksanvisning innan du använder denna helkroppsssele. OM DETTA INTE GÖRS KAN DET LEDA TILL ALLVARLIGA SKADOR ELLER DÖDSFALL.

Dessa anvisningar måste tillhandahållas för den som ska använda denna utrustning. Spara dessa instruktioner för framtida referens.

Avsedd användning:

Denna helkroppsssele är avsedd att användas som en del av ett komplett personligt fallskyddssystem.

Användning för andra syften, inklusive materialhantering, fritids- och idrottsaktiviteter samt andra aktiviteter som inte beskrivs i bruksanvisningen, godkänns inte av 3M och kan resultera i allvarlig skada eller dödsfall.

Denna enhet ska endast användas av utbildade användare för professionellt bruk.

VARNING

Denna helkroppsssele är en del av ett personligt fallskyddssystem. Alla användare förväntas vara fullständigt utbildade i säker installation och användning av sina personliga fallskyddssystem. **Felaktig användning av den här enheten kan resultera i allvarlig skada eller dödsfall.** För korrekt val, användning, installation, underhåll och service hänvisas till denna bruksanvisning och alla rekommendationer från tillverkaren, din arbetsledare eller 3M:s tekniska kundtjänst.

- **För att minska riskerna i samband med användning av helkroppsssele som, om de inte undviks, kan leda till allvarlig skada eller dödsfall:**
 - Kontrollera enheten före varje användning, dock minst en gång om året samt efter varje inträffat fall. Utför kontrollen enligt bruksanvisningen.
 - Om inspektionen visar ett osäkert eller defekt tillstånd ska enheten tas ur bruk och kasseras.
 - Varje enhet som utsatts för fallstopp eller fallkraft måste omedelbart tas ur bruk och förstöras.
 - Säkerställ att selen bärs korrekt, har rätt storlek och är lämpligt justerad.
 - Se till att alla anslutna undersystem (t.ex. kopplingslinor) inte medför några risker, exempelvis men inte begränsat till att trassla in sig med andra arbetare, dig själv, rörliga maskindelar eller andra omgivande föremål.
 - Se till att fallskyddssystem och delsystem, som är monterade med komponenter från olika tillverkare, är kompatibla och uppfyller kraven i tillämpliga standarder, inklusive ANSI Z359 eller andra tillämpliga regler, standarder eller krav på fallskydd. Anlita alltid en kompetent eller kvalificerad person före användning av dessa system.
- **För att minska riskerna förknippade med arbete på hög höjd, vilka, om de inte undviks, kan leda till allvarlig skada eller dödsfall:**
 - Se till att din hälsa och fysiska kondition medger att du säkert kan motstå alla krafter i samband med arbete på hög höjd. Rådgör med läkare om du har frågor kring din förmåga att använda den här utrustningen.
 - Överskrid aldrig den högsta tillåtna belastningen för fallskyddsutrustningen.
 - Överskrid aldrig det största tillåtna avståndet för fritt fall för fallskyddsutrustningen.
 - Använd aldrig en fallskyddsutrustning som inte har godkänts vid kontroll före användning, annan planerad kontroll, eller om du är osäker på utrustningens korrekta användning eller lämplighet för tillämpningen. Vänd dig till 3M:s tekniska kundtjänst med eventuella frågor.
 - Vissa kombinationer av undersystem och komponenter kan störa utrustningens funktion. Använd endast kompatibla kopplingar. Rådfråga 3M innan du använder denna utrustning i kombination med andra komponenter eller undersystem än de som beskrivs i bruksanvisningen.
 - Var extra försiktig vid arbete i närheten av rörligt maskineri (t.ex. toppspindel på oljerigg), elfara, extrema temperaturer, kemiska faror, explosiva eller giftiga gaser, skarpa kanter eller under ovanliggande material som kan falla ner på dig eller din fallskyddsutrustning.
 - Använd Arc Flash- eller Hot Works-enheter vid arbete i miljöer med höga temperaturer.
 - Undvik ytor och föremål som kan skada användare eller utrustning.
 - Säkerställ tillräcklig fallmarginal vid arbete på hög höjd.
 - Modifiera eller ändra aldrig fallskyddsutrustningen. Endast 3M eller av 3M skriftligen auktoriserade parter får utföra reparationer på utrustningen.
 - Kontrollera före användandet av fallskyddsutrustningen att det finns en räddningsplan som möjliggör snabb räddning vid eventuellt fall.
 - Om ett fall inträffar, sök omedelbart läkarvård för arbetaren som fallit.
 - Ett kroppsbälte får inte användas för fallstoppstillämpningar. Använd endast helkroppsselar.
 - Minimera risken för pendelfall genom att arbeta så rakt under förankringspunkten som möjligt.
 - Vid övning med denna utrustning måste ett andra fallskyddssystem användas så att personen som övar inte utsätts för en oavsiktlig fallrisk.
 - Använd alltid lämplig personlig skyddsutrustning vid installation, användning eller kontroll av utrustningen och systemet.

Anteckna informationen om produktidentifiering från ID-etiketten i besiktnings- och underhållsloggen på baksidan av denna bruksanvisning innan denna utrustning används.

Säkerställ alltid att du använder den senaste versionen av 3M-bruksanvisningen. Gå till 3M:s webbplats eller kontakta 3M:s tekniska support för information om aktuella bruksanvisningar.

BESKRIVNING

Figur 1 beskriver tillgängliga modeller av 3M™ Protecta® helkroppsselar. Dessa modeller är tillgängliga med olika kombinationer av följande funktioner:

	Figur 1 Referens:	Beskrivning:
Storlekar	S, M/L, XL	Small, Medium/Large, Extra Large
	Ⓑ	Bältesstorlek i cm
Fast-sättnings-selement	①	Bakre D-ring
	②	Främre D-ring
	③	D-ringar för höfterna
	④	Förankringspunkt axlar
Spännen	⑤	Snabbkopplingsspännen
	⑥	Enkelspännen
Justeringar	⑦	Torsojusteringar
Dynor	⑧	Vadderat höftbälte
	⑨	Bendyna
Ytterligare funktioner	⑩	Fallskyddshållare
	⑪	Hantering av bandändar - Se figur 11
	⑫	Räddningsband
	⑬	Verktygskopplingar (öglor)

SPECIFIKATIONER

Prestanda:	
Maximal stoppkraft:	6 kN (1 349 lbf)
Kapacitet:	140 kg (310 lb.)
Användningstemperatur:	Lägst: -35 °C (-31 °F) Högst: +57 °C (135 °F)

Material:	
Band	Polyester – 22 kN (4 946 lbf) draghållfasthet
Vadderingsskydd	Blandning av nylon och polyester
Etikettskydd	Blandning av nylon och polyester
Tråd	Polyestertråd på polyestervävband
D-ringar	Stållegering – 22 kN (4 946 lbf) draghållfasthet
Snabbkopplingsspännen	Stål, rostfritt stål och stållegering – 18 kN (4 047 lbf) draghållfasthet
Enkelspännen	Stållegering – 18 kN (4 047 lbf) draghållfasthet
Torsojusteringar	Stållegering – 18 kN (4 047 lbf) draghållfasthet

1.0 TILLÄMPNINGAR

1.1 SYFTE: Helkroppsselar måste användas som komponenter i personliga fallskyddssystem avsedda för att förebygga fallrisk eller stoppa ett fall som har inträffat (se figur 2). Helkroppsselar används i följande tillämpningar:

(A)	Fallskydd (EN360, EN361, EN355): I personliga fallskyddssystem ingår vanligen en helkroppssele och anslutande undersystem (energiabsorberande kopplingslina, självindragande enhet osv.). Maximal stoppkraft får inte vara större än 6 kN (1 349 lbf). <i>Förankringshållfasthet:</i> Vald förankring måste bära minst 12 kN (2 698 lbf) last.
(B)	Arbetspositionering (EN358, EN813): I arbetspositioneringssystem ingår vanligen en helkroppssele, positioneringslina och ett individuellt fallskyddssystem. För tillämpningar med arbetspositionering ska enheten för arbetspositionering (t.ex. kopplingslinor, Y-kopplingslinor osv.) anslutas till förankringselementen (D-ringar) för arbetspositionering som är monterade på den lägre (höftnivån) sidan eller på bältet. Använd aldrig dessa anslutningspunkter för fallskydd. <i>Infästningselement:</i> Främre höft. <i>Förankringshållfasthet:</i> Vald förankring måste bära minst 12 kN (2 698 lbf) last.
(C)	Klättring (EN353-1): Helkroppsselen används som en komponent i ett klättringssystem för att hindra att användaren faller vid klättring på en stege eller annan struktur. Klättringssystem innefattar vanligen en helkroppssele, vertikal kabel eller skena fäst i strukturen och glidlås för klättring. För stegklättringstillämpningar med fast monterade klättringssystem kan selar försedd med en främre D-ring i sternal position användas för fallskydd. <i>Infästningselement:</i> Sternal. <i>Förankringshållfasthet:</i> Strukturen som klättringssystemet fästs i måste bära laster enligt krav i dokumentationen från klättringssystemets tillverkare.
(D)	Räddning (EN1496, EN1497, EN1498): Helkroppsselen används som en komponent i ett räddningssystem. Räddningssystem konfigureras efter typ av räddning. För användning vid begränsad (trånga utrymmen) kan selar med D-ringar på axlarna användas för att ta sig in i och lämna trånga utrymmen där personens profil är ett problem. <i>Infästningselement:</i> Dorsalt, sternalt, frontalt, axlar. <i>Förankringshållfasthet:</i> Vald förankring måste bära minst 12 kN (2 698 lbf) last.
(E)	Kontrollerad nedstigning (EN341): För kontrollerad nedstigning kan selar försedd med en enkel D-ring i sternal nivå, en eller två frontalt monterade D-ringar eller ett par kopplingspunkter under midjenivå (som ett sätesband) användas för koppling till ett nedstignings- eller utrymningsystem. <i>Infästningselement:</i> Dorsalt, sternalt, frontalt. <i>Förankringshållfasthet:</i> Valda förankringar måste bära minst 12 kN (2 698 lbf) last.
(F)	Fallstop (EN354): Helkroppsselen används som en komponent i Fallstoppsystem för att hindra att användaren når en fallrisk. Fallstoppsystem inkluderar vanligtvis en helkroppssele och ett rep eller en begränsningslina. <i>Infästningselement:</i> Dorsalt, sternalt, frontalt, höft. <i>Förankringshållfasthet:</i> Vald förankring måste bära minst åtminstone 18 kN (4 047 lbf) när lanyards inklusive något textilmaterial eller textilbandelement, t.ex. syntetfiber rep eller webbing används. När man använder lanyards som helt består av metalliska element måste förankringen hålla en mängd på minst 12 kN (2 698 lbf).

1.2 STANDARDER: Selar som omfattas av dessa anvisningar uppfyller standarderna som anges på omslagssidan. Om denna produkt återförsäljs utanför det ursprungliga mottagarlandet, måste återförsäljaren tillhandahålla denna bruksanvisning på språket i det land där produkten kommer att användas.

1.3 UTBILDNING: Det är användaren och köparen av denna utrustning som ansvarar för att garantera att de är bekanta med anvisningarna, driftsegenskaperna, tillämpningsbegränsningar och konsekvenserna av felaktig användning av denna utrustning.

1.4 BEGRÄNSNINGAR: Följande användningsbegränsningar måste beaktas innan utrustningen används:

- **KAPACITET:** Helkroppsselen är utformad för att användas av personer med en sammanlagd vikt (klädsel, verktyg osv.) på högst 140 kg (309 lb.). Se till att alla komponenter i systemet är märkta för den kapacitet som krävs för tillämpningen.
- **FRITT FALL:** Ett fallskyddssystem ska innehålla energiabsorberande element eller funktioner för att säkerställa att slagkrafterna på användarens kropp under anhållandet av ett fritt fall begränsas till högst 6 kN (1 349 lbf). Fallstoppsystem måste riggas så att inget vertikalt fritt fall är möjligt. Arbetspositioneringssystem måste riggas så att fritt fall begränsas till högst 60 cm (24 in.). Personaltransportsystem måste riggas så att inget vertikalt fritt fall är möjligt. Räddningssystem måste riggas så att inget vertikalt fritt fall är möjligt. Anvisningarna från undersystemets tillverkare innehåller ytterligare information.
- **FALLMARGINAL:** Komponenter för fallstopp illustreras i figur 3. Det måste finnas tillräcklig fallmarginal (FC) för att stoppa ett fall innan användaren slår i marken eller annat föremål. Marginalen bestäms av ett antal faktorer inklusive: (A) Kopplingslinans längd, (B) kopplingslinans retardationsavstånd eller SRD-enhetens maximala stoppavstånd, (C) selens töjning och D-ringens/kopplingens längd och inställning (normalt med 0,5 m (1,6 ft.) säkerhetsfaktor). Anvisningarna som ingår med kopplingslinan eller den självindragande enheten innehåller detaljerad information om beräkning av fallmarginal.
- **PENDELFALL:** Pendelfall kan inträffa när förankringspunkten inte ligger rakt ovanför den punkt där ett fall sker (se figur 4). Kraften då ett föremål träffas i pendelfall kan orsaka allvarlig personskada eller dödsfall. Minimera risken för pendelfall genom att arbeta med förankringspunkten så rakt ovanför dig som möjligt. Låt inte pendelfall uppstå om det finns risk för personskada. Pendelfall medför en betydligt högre fallmarginal än vad som krävs för en självindragande livlina eller annan enhet med variabel längd.
- **UPPHÄNGNING UNDER LÄNGRE TID OCH UPPHÄNGNINGSSKADOR:** En helkroppssele är inte avsedd för under längre tid. Upphängning under längre tid kan orsaka skador. Om användaren kommer att vara upphängd under längre tid rekommenderas användning av någon form av sätesstöd. 3M rekommenderar en sätesbräda, upphängningssäte, säteslina eller en båtsmansstol. Kontakta 3M för mer information.
- **MILJÖRISKER:** Användning av denna utrustning i områden med miljöfaror kan fordra ytterligare försiktighet för att undvika risken för att användaren skadas eller skada på utrustningen. Riskerna omfattar bland annat, men inte uteslutande: värme, kemikalier, korrosiva miljöer, högspänningskraftledningar, gaser, maskiner i rörelse och vassa kanter.
- **SELAR FÖR MILJÖER MED HÖG TEMPERATUR:** Selar med kevlarvävband är utformade för att användas i miljöer med hög temperatur, med begränsningar: Kevlarvävband börjar förkolna vid 425 - 480 °C (800 - 900 °F). Kevlarvävband tål begränsad utsättning för temperaturer genom kontakt upp till 535 °C (1 000 °F). Polyestervävband förlorar hållfastheten vid 145 - 200 °C (300 - 400 °F). PVC-beläggning på beslag har en smältpunkt vid cirka 175 °C (350 °F).

Även om PVC-belagda och förzinkade beslag uppvisar utmärkt korrosionsbeständighet vid kemiska, syrehaltiga, basiska och atmosfäriska förhållanden kan täta inspektioner krävas. Rådfråga 3M om användning av denna utrustning i farliga miljöer.

2.0 ANVÄNDNING AV SYSTEM

2.1 RÄDDNINGSPLAN: När denna utrustning och anslutande enheter används måste arbetsgivaren ha en räddningsplan och resurser tillgängliga för att implementera och informera användare¹, behöriga personer² och räddningspersonal³ om planen.

2.2 BESIKTNINGSINTERVALL: Helkroppsselen ska besiktigas av användaren före varje användning och av en annan kompetent person⁴ än användaren med intervall som inte överskrider ett år⁵. Besiktningsspecifika beskrivs i bruksanvisningens besiktning- och underhållslogg. Resultatet av varje kompetent persons besiktning ska registreras på kopior av besiktning- och underhållsloggen eller spåras med RFID-systemet (se Besiktning).

Om det krävs av 3M på grund av komplexitet eller förnyelse av utrustningen eller om viktiga kunskaper krävs för isärtagning, återmontering eller bedömning av utrustningen får regelbundna undersökningar endast utföras av 3M eller personer eller organisationer som är godkända av 3M.

2.3 KOMPONENTERS KOMPATIBILITET: Om inget annat anges är 3M-utrustning endast utformad för komponenter och enheter som är godkända av 3M. Ersättning eller utbyte mot icke godkända komponenter eller enheter kan äventyra utrustningens kompatibilitet och även påverka hela systemets säkerhet och tillförlitlighet.

2.4 KOPPLINGARS KOMPATIBILITET: Kopplingar anses vara kompatibla med kopplade element när de är avsedda att fungera tillsammans på ett sådant sätt att deras storlekar och former inte orsakar att deras öppningsmekanismer kan öppnas oavsiktligt, oavsett hur de än vrids och vänds. Kontakta 3M om du har frågor som rör kompatibilitet. Kopplingar (krokar, karbinhakar och D-ringar) måste ha kapacitet att bära upp minst 22 kN (4 946 lbf). Kopplingar måste vara kompatibla med förankringen eller andra systemkomponenter. Använd inte utrustning som inte är kompatibel. Inkompatibla kopplingar kan lossna av misstag (se figur 5). Kopplingar måste vara kompatibla i storlek, form och styrka. Om det anslutningselement som en automatkrok eller karbinhake sätts fast vid är för litet eller oregelbundet utformat, kan det uppstå en situation i vilken anslutningselementet tillför kraft på automatkrokens eller karbinhakens öppningsmekanism. Denna kraft kan orsaka att öppningsmekanismen öppnas, med följd att automatkroken eller karbinhaken lösgörs från kopplingspunkten. Självlåsand automatkrokar och karbinhakar krävs.

2.5 ATT KOPPLA: Använd endast självlåsand klätterhakar och karbinhakar tillsammans med denna utrustning. Använd endast kopplingar som lämpar sig för varje tillämpning. Kontrollera att alla anslutningar är kompatibla i storlek, form och styrka. Använd inte utrustning som inte är kompatibel. Kontrollera att alla kopplingar är helt stängda och låsta.

3M kopplingar (automatkrokar och karbinhakar) är endast avsedda att användas enligt produkternas bruksanvisningar. Se Figur 6 för olämpliga kopplingar. 3M:s automatkrokar och karbinhakar ska inte anslutas:

- A. Till en D-ring som används för en annan koppling.
- B. På ett sätt som skulle orsaka en belastning på öppningsmekanismen.
- C. I en falsk fastkoppling där delar som sticker ut på automatkroken eller karbinhaken fastnar i förankringen och utan visuell kontroll ser ut att vara helt fastkopplade i förankringspunkten.
- D. Till varandra.
- E. Direkt till band, kopplingslinor eller omtagslinor (såvida inte tillverkarens anvisningar för både kopplingslinan och anslutningen specifikt tillåter sådan anslutning).
- F. Till ett föremål som har sådan form eller storlek att automatkroken eller karbinhaken inte stängs, eller om det finns risk för utrullning.
- G. På ett sätt som inte tillåter kopplingen att sitta rakt under lasten.

2.6 ANSLUTANDE ENHETER: Anslutande enheter (självindragande livlina, kopplingslina, rephandtag eller livlina, glidlås osv.) måste vara lämpliga för din tillämpning (se avsnitt 1.1). Anvisningarna för enhetens tillverkare innehåller ytterligare information. Vissa modeller av selar har vävögglor som kopplingspunkter. Använd inte automatkrokar för att koppla i vävögglor. Använd en självlåsand karbinhake för att koppla till en vävögla. Säkerställ att karbinhaken inte kan tvärbelastas (last mot krokfläset istället för längs karbinhakens huvudaxel). Vissa kopplingslinor är utformade för användning med vävögla för att ge en kompatibel koppling. Kopplingslinor kan vara sydda direkt i vävöglan som en permanent koppling. Gör inte flera kopplingar till en vävögla om det inte gäller att spärra två kopplingslinor på en vävögla av lämplig storlek. För att fästa kopplingslinan i en vävögla (Figur 7): A) För in kopplingslinans vävögla genom vävöglan eller D-ringen på selen. B) För in kopplingslinans fria ände genom kopplingslinans vävögla. C) Dra kopplingslinan genom den kopplande vävöglan för att säkra.

2.7 FÄSTA KOPPLINGSLINOR: Figur 8 illustrerar fästen för kopplingslinor. Fallskyddshållaren är avsedd för att fästa en kopplingslinans fria ände eller en självindragande anordning som är infäst i selen men inte kopplad till en förankringspunkt för att fungera som fallskydd. Fallskyddshållaren får aldrig användas som ett fallskyddsfäste på selen för anslutning av en kopplingslina eller självindragande enhet (A).

När den inte är ansluten till en förankringsanslutningspunkt måste en icke ansluten del av kopplingslinan fästas korrekt på selen (B) eller säkras i användarens hands på samma sätt som i tillämpningar med 100 % anslutning (Tie-Off) (C). Fritt hängande delar av kopplingslinan (D) kan leda till att användaren snubblar eller fastna på omgivande objekt och orsaka ett fall.

1 Användare: En person som utför arbete på hög höjd och skyddas av ett personligt fallskyddssystem.

2 Behörig person: En person som utsetts av arbetsgivaren för att utföra arbete på platser där personen kommer att utsättas för fallrisk.

3 Räddare: Person eller personer utom den nödställda som agerar för att utföra en assisterad räddning med hjälp av ett räddningssystem.

4 Kompetent person: En person som kan identifiera befintliga och förutsägbara risker i omgivningarna, eller arbetsförhållanden som är hälsovådliga, riskfyllda eller farliga för anställda och som har behörighet att vidta omedelbara korrigerande åtgärder för att eliminera dessa.

5 Besiktningintervall: Extrema arbetsförhållanden (hård miljö, lång tids användning m.m.) kan kräva att besiktningarna görs oftare av en kompetent person.

3.0 ANVÄNDNING AV SELEN

3.1 FÖRE VARJE ANVÄNDNING av denna utrustning ska den besiktigas enligt *besiktnings- och underhållsloggen* (tabell 1).

3.2 PLANERA ditt system innan det används. Tänk igenom alla faktorer som kommer att påverka din säkerhet när du använder den här utrustningen. Följande punkter är viktiga att tänka på vid planering av systemet:

- **Förankring:** Välj en förankring som klarar att bära den statiska lasten enligt krav för avsedd fallskyddstillämpning (se avsnitt 1.1). Förankringens placering skall anpassas efter fritt fall, fallmarginal, pendelfall och miljöbegränsningar enligt avsnitt 1.4.
- **Vassa kanter:** Undvik att arbeta där det finns risk för att systemkomponenter kan komma i kontakt med, eller nötas mot, oskyddade vassa kanter.
- **Efter ett fall:** Komponenter som har utsatts för krafterna vid ett fallstopp måste tas ur bruk och kasseras.
- **Räddning:** Arbetsgivaren måste ha en räddningsplan när denna utrustning används. Arbetsgivaren måste ha kapacitet att utföra en räddning snabbt och säkert.
- **Räddningssele:** Räddningssele (EN 1497) är avsedda för att bäras under normalt arbete. Före den första användningen av infästningselement för räddning ska användaren utföra ett upphängningstest under säkra förhållanden. Syftet är att säkerställa att selen har rätt storlek och sitter bekvämt.
- **Arbetspositionering:** Utvärdera alltid om du behöver använda ett personligt fallskyddssystem (t.ex. ett fallstoppssystem) när du använder ett arbetspositioneringssystem. Använd alltid en förankringspunkt placerad på eller över midjanivån.

3.3 SPÄNNEN: Helkroppsselar är utrustade med olika spännen för fastspänning och justering av benband och bröstband. Selens kroppsbälte har ett tungspänne. Figur 1 visar de typer av spännen som finns på din sele. Figur 9 visar användningen av vart och ett av följande spännen:

1. Snabbkopplingsspännen:

- A. Sätt fast snabbkopplingsspännet genom att föra in fliken i den mottagande delen tills det hörs ett klick.
- B. Så här justeras bandet: Dra bandet framåt eller bakåt genom spännets slits för att dra åt eller lossa.
- C. Så här öppnas snabbkopplingsspännet: Kläm ihop låsreglagen på varje sida av låset. Dra ut fliken ur den mottagande delen.

2. Enkelspännen:

- A. För in hanspännet genom slitsen i honspännet.
- B. Dra åt bandets fria ände så att hanspännet sitter plant mot honspännet. Sätt fast bandets fria ände i bandhållaren.

3.4 JUSTERINGAR: Kroppsselar är utrustade med ett par torsojusteringar för justering av axelbanden. Figur 10 illustrerar justeringen av torsojusteringarna:

1. Torsojusteringar: Så här justeras axelbanden med torsojusteringarna:

- A. Dra i bandets fria ände för att dra åt axelbandet. Lossa axelbandet genom att dra i bandets fria ände och sedan föra bandet bakåt genom justeringen.
- B. Sätt fast bandets fria ände i bandhållaren.

Om kardborrebandets ändhantering (Se Figur 11) är närvarande, rullar du tillbaka den fria banremmen tills den är tät (A), fog kardborrebanden tillbaka över remmen och fäst ränderna (B). Se till att rullen är tät och att remhållaren förflyttas nära valsens (C).

3.5 IORDNINGSTÄLLANDE OCH INPASSNING AV HELKROPPSSELEN: Figur 13 visar iordningställandet och inpassningen av helkroppsselen. Inspektera selen enligt checklistan i *besiktnings- och underhållsloggen* (tabell 1) före varje användning. Ställa i ordning och passa in selen:

Procedurer för fastspänning och justering av banden på din sele varierar beroende på modell. Avsnitt 3.3 och 3.4 och figur 9 och 10 innehåller detaljerad information.

1. Lyft och håll selen i den bakre D-ringen. Se till att banden inte är snurrade.
2. Ta tag i axelbanden och sätt i ena armen i selen. Den bakre D-ringen kommer att sitta på ryggen. Se till att remmarna inte är snurrade och att de hänger fritt. Sätt i den andra armen i selen och sätt axelbanden över axlarna. Bröstbandet och bröstspännet ska sitta på bröstet när selen sitter rätt.
3. Ta tag i det grå benbandet mellan benen på din högra sida. För bandet upp mellan benen, sätt fast det i det motsvarande spännet på din högra höft och justera benbandet så att det sitter bra och bekvämt (avsnitt 3.3 innehåller information om handhavandet av spännen). När justeringen är klar ska benbandets lösa ände stoppas in under bandhållaren.
Upprepa processen för fastspänning och justering av vänster benband.
4. Justera och sätt fast midjebandets tungspänne (om tillämpligt). (avsnitt 3.3 innehåller information om handhavandet av tungspännet).
5. Spänn fast och justera bröstbandet (avsnitt 3.3 innehåller information om handhavandet av spännen). Bröstbandet ska sitta 15 cm (6 in.) under ovansidan på axlarna. När justeringen är klar ska bröstbandets lösa ände stoppas in under bandhållaren.
6. Justera axelbanden med torsojusteringarna så att de sitter snävt (avsnitt 3.4 innehåller information om handhavandet av torsojusteringarna). Vänster och höger sida av axelbanden ska justeras till samma längd och bröstbandet ska centreras på nedre delen av bröstskåpet, 15 cm (6 in.) under ovansidan på axlarna. Den bakre D-ringen ska sitta centrerad mellan skulderbladen. Den främre D-ringen (om sådan finns) skall sitta lateralt inom 5 cm (2 in.) från selens vertikala mittlinje.

Kontrollera regelbundet fäst- och justeringselement under användning

- 3.6 ANVÄNDA FALLKYDDSD D-RING ELLER FASTSÄTTNINGSELEMENT:** Ankarpunkter för Fallskydd är markerade med bokstaven "A". För fallskyddstillämpningar ska anslutningen ske till den bakre D-ringen eller fastsättningselementet på ryggen, mellan skulderbladen, eller den främre D-ringen på bröstet. D-ringarna på sidorna (om sådana finns) är endast avsedda för positionering eller begränsning. Axelfästena är endast avsedda för räddningstillämpningar. Den främre D-ringen är avsedd för steglättring eller positionering. D-ringar på ett upphängningsäte är avsedda för upphängnings- eller positioneringstillämpningar. (Se avsnitt 1.1).
- 3.7 GÖRA ANSLUTNINGAR:** När en hake används för att ansluta till en förankring eller vid sammankoppling av systemkomponenter ska man se till att utrullning inte kan ske. Utrullning uppstår när störningar mellan haken och sammankopplingen leder till att haken oavsiktligt öppnas och släpper. Självslåsande klätterhakar och karbinhakar måste användas för att minska risken för utrullning. Använd inte krokar eller kopplingar som inte försluts helt över anslutningsobjektet. Se anvisningar från tillverkaren gällande komponenter för ytterligare information om anslutning.
- 3.8 ANSLUTA SYSTEMKOMPONENTER:** När selen har passats in kan användaren ansluta till andra systemkomponenter. Följ riktlinjerna i avsnitt 2 och tillverkarens anvisningar som följer med komponenten.

4.0 BESIKTNING

- 4.1 BESIKTNINGSINTERVALL:** Helkroppsselen måste besiktigas med de intervall som beskrivs i avsnitt 2.2. Besiktningssprocedurerna beskrivs i *besiktning- och underhållsloggen (tabell 1)*.
- 4.2 DEFEKTER:** Om besiktningen avslöjar ett defekt tillstånd måste enheten omedelbart tas ur bruk och förstöras.
- 4.3 PRODUKTENS HÅLLBARHET:** Livslängden för selarna beror på arbetsförhållanden och underhåll. Den maximala livslängden kan sträcka sig från ett års intensiv användning i extrema förhållanden och upp till 10 år för lättare användning i milda förhållanden. Så länge som produkten uppfyller besiktningsskruven får den fortsätta att användas upp till högst 10 år.

5.0 UNDERHÅLL, SERVICE, FÖRVARING

Produkten ska varken rengöras eller desinficeras på något annat sätt än så som beskrivs i nedanstående rengöringsanvisningar. Andra metoder kan påverka produkten eller användaren negativt.

- 5.1 RENGÖRING:** 3M-helkroppssela ska rengöras i enlighet med 3M:s anvisningar. Tvätta selen i ett mildt rengöringsmedel utan blekmedel för att rengöra den och skölj sedan selen. Selen ska därefter hängas upp och lufttorka. Temperaturen på det vatten som används för rengöring och lufttorkningstemperaturen får aldrig överstiga 54,4°C (130°F). Mer information finns i den tekniska bulletinen på vår webbplats: <http://www.3M.com/FallProtection/WebCleaning>


Kontakta 3M:s tekniska kundtjänst om du har frågor om rengöringsförfaranden.

- 5.2 SERVICE:** Helkroppsselar får inte repareras. En helkroppssela som har utsatts för fallstoppkraft eller vid besiktning visat tecken på osäkra eller defekta tillstånd, skall omgående tas ur bruk och kasseras.
- 5.3 FÖRVARING OCH TRANSPORT:** Förvara och transportera helkroppsselen i en sval, torr och ren miljö som är skyddad från direkt solljus. Undvik platser där det kan finnas kemiska ångor. Kontrollera selen noggrant efter långvarig förvaring.

6.0 MÄRKNING

Figur 14 illustrerar produktetiketter och deras placering på helkroppsselen. Alla etiketter måste sitta på plats och vara helt läsbara.

Information på varje etikett:

1	(A) Förankringspunkt för fallskydd, märkt med bokstaven "A" (B) Etikett plats
2	(A) Besiktningsslogg (B) Serienummer (C) Initial (D) Datum (E) Ta inte bort denna etikett.
3	(A) Etikett med användarinformation
4	(A) Serienummer (B) Tillverkningsmånad (C) Tillverkningsår (D) Batchnummer (E) Modellnummer (F) Europeisk standard (G) Kapacitet (H) Storlek (I)  Se anvisningarna (J) CE-märkning (K) Nummer till anmält organ som utför typkontroll (L) Bältesstorlek

Bu Tam Vücut Kemerini kullanmadan önce bu talimatlardaki tüm güvenlik bilgilerini okuyunuz, anlayınız ve izleyiniz. BUNUN YAPILMAMASI AĞIR YARALANMAYA VEYA ÖLÜME YOL AÇABİLİR.

Bu talimatlar, bu ekipmanın kullanıcılarına verilmelidir. Bu talimatları ileride kullanmak üzere saklayın.

Kullanım Amacı:

Tam Vücut Kemerini, düşmeye karşı komple bir kişisel koruma sisteminin parçası olarak kullanmak içindir.

Bir sınırlama olmaksızın malzeme taşıma, eğlence veya spor ile ilgili faaliyetler veya Kullanıcı Talimatlarında açıklanmamış diğer faaliyetler dâhil olmak üzere başka bir uygulamada kullanılması 3M tarafından onaylanmamaktadır ve ağır yaralanmaya veya ölüme yol açabilir.

Bu cihaz yalnızca işyeri uygulamalarında eğitim almış kullanıcılar tarafından kullanıma yöneliktir.

UYARI

Bu Tam Vücut Kemerini, kişisel düşmeye karşı koruma sisteminin bir parçasıdır. Tüm kullanıcıların kendi kişisel düşmeye karşı koruma sistemlerinin güvenli şekilde takılması ve kullanılması konusunda tam olarak eğitim almış olmaları beklenir. **Ürün sınırlamalarına uyulmaması ağır yaralanmaya veya ölüme yol açabilir.** Doğru şekilde seçmek, çalıştırmak, takmak ve bakımını ve servisini yapmak için bu Kullanıcı Talimatlarına ve tüm üretici tavsiyelerine bakın, amirimize sorun veya 3M Teknik Servisine danışın.

- **Sakınılmadığı takdirde ağır yaralanmaya veya ölüme yol açabilecek olan bir Tam Vücut Kemerini ile çalışmanın risklerini azaltmak için:**
 - Her bir kullanımdan önce, yılda en az bir kez ve bir düşme vakasından sonra cihazı kontrol edin. Kullanım Talimatlarına uygun şekilde kontrol edin.
 - Muayene sonucunda güvenli olmayan veya kusurlu bir koşul ortaya çıkarsa cihazı hizmetten çıkarın ve imha edin.
 - Herhangi bir düşme engelleme işlemi yapan veya darbe kuvvetine maruz kalan cihaz, hemen hizmet dışına çıkarılmalı ve imha edilmelidir.
 - Kuşağın doğru şekilde takıldığından, uygun şekilde boyutlandırıldığından ve tam olarak oturduğundan emin olun.
 - Tüm bağlı alt sistemlerin (örn. çengelli halat) diğer işçilere, kendinize, hareket eden makinelere veya etraftaki diğer nesnelere dolanma riski dâhil, ancak bununla sınırlı olmamak kaydıyla tüm tehlikelerden uzak tutulmasını sağlayın.
 - Farklı üreticiler tarafından üretilmiş bileşenlerin birbirine monte edilmesiyle oluşturulan düşmeye karşı koruma sistemlerinin/alt sistemlerinin birbirine uyum sağladığından ve ANSI Z359 veya geçerli diğer düşmeye karşı koruma yasaları, standartları veya düzenlemeleri dâhil olmak üzere geçerli standartların koşullarını karşıladığından emin olun. Bu sistemleri kullanmadan önce Yetkin ve/veya Nitelikli bir Kişiye danışın.
- **Kaçınılmadığı takdirde, ağır yaralanmaya veya ölüme yol açabilecek olan yüksekte çalışma ile ilgili riskleri azaltmak için:**
 - Sağlığınızın ve fiziksel durumunuzun yüksekte çalışma ile ilişkili tüm kuvvetlere güvenli şekilde dayanmanıza olanak vermesine dikkat edin. Bu ekipmanı kullanma yeteneğiniz ile ilgili sorularınız olduğu takdirde doktorunuza danışın.
 - Düşmeye karşı koruma ekipmanınızın izin verilen kapasitesini asla aşmayın.
 - Düşmeye karşı koruma ekipmanınızın maksimum serbest düşme mesafesini asla aşmayın.
 - Kullanım öncesi incelemeyi veya diğer programlı muayeneleri geçemeyen veya ekipmanın sizin uygulamanızdaki kullanımı veya uygunluğu bakımından endişeleriniz olduğu zaman, düşmeye karşı koruma ekipmanınızı kullanmayın. Tüm sorularınız için 3M Teknik Servisine danışın.
 - Bazı alt sistem ve bileşen kombinasyonları, bu ekipmanın çalışmasına engel olabilir. Yalnızca uyumlu bağlantılar kullanın. Bu ekipmanı Kullanma Talimatlarında belirtilenler dışında bileşenler veya alt sistemler ile birlikte kullanmadan önce 3M'ye danışın.
 - Hareketli makineler (örneğin petrol kulelerinin tepe tahriki), elektrik tehlikeleri, aşırı sıcaklıklar, kimyasal tehlikeler, patlayıcı veya zehirli gazlar, keskin kenarlar çevresinde veya sizin veya düşmeye karşı koruma donanımınızın üzerine düşebilecek olan yüksekteki malzemeler altında çalışırken ilave önlemler kullanın.
 - Yüksek ısı ortamlarında çalışırken Ark Parlaması veya Sıcak Çalışma cihazları kullanın.
 - Kullanıcıya veya ekipmana zarar verebilecek yüzeylerden ve nesnelere kaçının.
 - Yüksekte çalışırken yeterli düşme açıklığının bulunmasına dikkat edin.
 - Düşmeye karşı koruma ekipmanınızda asla tadilat veya değişiklik yapmayın. Bu ekipmanı yalnızca 3M veya 3M tarafından yazılı olarak yetki verilmiş taraflar tamir edebilir.
 - Düşmeye karşı koruma ekipmanınızı kullanmadan önce, bir düşme olayı gerçekleşmesi durumunda, hemen kurtarma işi yapmaya olanak veren bir kurtarma planının bulunduğunu kontrol edin.
 - Bir düşme vakası gerçekleşirse, düşmüş olan işçi için hemen tıbbi yardım isteyin.
 - Düşmeyi engelleme uygulamaları için bir vücut kemeri kullanmayın. Sadece Tam Vücut Kemerini kullanın.
 - Ankraj noktasının mümkün olduğunca doğrudan altında çalışarak sallanarak düşmeleri asgari düzeye indirin.
 - Bu cihazda eğitim alıyorsa, eğitim alan kişiyi beklenmedik bir düşme tehlikesine maruz bırakmayacak biçimde ikincil bir düşmeye karşı koruma sistemi kullanılmalıdır.
 - Cihazı/sistemi takarken, kullanırken veya muayene ederken daima uygun kişisel koruyucu ekipman kullanın.

Bu ekipmanı kullanmadan önce kimlik etiketindeki ürün tanımlama bilgilerini bu kılavuzun arkasındaki "Muayene ve Bakım Günlüğüne" kayıt edin.

Her zaman 3M kullanım kılavuzunuzun son sürümünü kullandığınızdan emin olun. Güncel kullanım kılavuzları için 3M web sitesini ziyaret edin veya 3M Teknik Servisiyle görüşün.

AÇIKLAMA

Şekil 1, mevcut 3M™ Protecta® Tam Vücut Kemer modellerini tanımlar. Kemer modelleri, aşağıdaki özelliklerin çeşitli kombinasyonları ile kullanılabilir:

	Şekil 1 Referansı:	Açıklama:
Boyutlar	S, M/L, XL	Küçük, Orta/Geniş, Ekstra Geniş
	Ⓑ	Kayış Boyutu (cm)
Eklenti Elemanları	①	Sırt D-Halkası
	②	Sternal D-Halkası
	③	Kalça D-Halkaları
	④	Omuz Eklentisi
Kemer Tokaları	⑤	Hızlı Bağlanan Kemer Tokaları
	⑥	Geçmeli Kemer Tokaları
Ayarlayıcılar	⑦	Paraşüt Gövde Ayarlayıcıları
Pedler	⑧	Kemer & Kalça Pedi
	⑨	Bacak Pedi
Ek Özellikler	⑩	Kopmalı Otomatik Sıfırlama Halat Tutucuları
	⑪	Ağ Ucu Yönetimi - bkz. Şekil 11
	⑫	Kurtarma kemeri
	⑬	Enstrüman döngü

ÖZELLİKLER

Performans:	
Maksimum Önleme Kuvveti:	6 kN (1 349 lbf)
Kapasite:	140 kg (310 lb.)
Çalışma Sıcaklığı:	Minimum: -35 °C (-31 °F) Maksimum: +57 °C (135 °F)

Malzemeler:	
Dokuma Şeridi	Polyester - 22 kN (4 946 lbf) Gerilme Direnci
Ped Kılıfları	Naylon ve Polyester Karışımı
Etiket Kılıfı	Naylon ve Polyester Karışımı
İplik	Polyester Dokumada Polyester İplik
D Halkalar	Alaşımli Çelik - 22 kN (4 946 lbf) Gerilme Direnci
Hızlı Bağlanan Kemer Tokaları	Demir, Paslanmaz Demir ve Alaşımli Çelik - 18 kN (4 047 lbf) Gerilme Direnci
Geçmeli Kemer Tokaları	Alaşımli Çelik - 18 kN (4 047 lbf) Gerilme Direnci
Paraşüt Gövde Ayarlayıcıları	Alaşımli Çelik - 18 kN (4 047 lbf) Gerilme Direnci

1.0 UYGULAMALAR

1.1 AMAÇ: Tam Vücut Kemerleri, bir düşmemek veya güvenli şekilde düşmeyi önlemek için tasarlanmış olan Kişisel Düşme Koruma Sisteminde bileşen olarak kullanılmaktadır (bkz. Şekil 2). Tam Vücut Kemerleri, aşağıdaki uygulamalarda kullanılır:

(A)	Düşme Önleme (EN360, EN361, EN355): Kişisel düşmeyi önleme sistemleri tipik olarak, Tam Vücut Kemerini ve bir bağlantı alt sistemi içermektedir (Enerji Emici Emniyet, Kendinden Geri Çekmeli Cihaz, vb.). Maksimum önleme kuvvetinin 6 kN'yi aşmaması gereklidir (1 349 lbf). <i>Ankraj Dayanımı:</i> Seçili ankrajın 12 kN (2 698 lbf) veya daha fazla yükleri sürdürebilmesi gereklidir.
(B)	Çalışma Konumlandırma (EN358, EN813): Çalışma konumlandırma sistemleri tipik olarak, bir Tam Vücut Kemerini, konumlandırma halatı ve bir yedek kişisel düşmeyi önleme sistemi içermektedir. Çalışma konumlandırma uygulamaları için, çalışma konumlandırma alt sistemini (örneğin: halat, Y-halatı, vb.) alt (kalça düzeyi) tarafa veya kemere monte edilmiş çalışma konumlandırma bağlantı ankraj elemanlarına (D-Halkaları) bağlayın. Bu bağlantı noktalarını düşme önleme için hiçbir zaman kullanmayın. <i>Eklenti Elemanları:</i> Ön, Kalça. <i>Ankraj Dayanımı:</i> Seçili ankrajın 12 kN (2 698 lbf) veya daha fazla yükleri sürdürebilmesi gereklidir.
(C)	Tırmanma (EN353-1): Tam Vücut Kemerini, kullanıcının bir merdiveni veya diğer tırmanma yapılarını tırmanırken düşmesini önlemek için bir tırmanma sisteminin bileşeni olarak kullanılır. Tırmanma sistemleri tipik olarak bir Tam Vücut Kemerini, dikey kablo veya yapıya ekli olan ray ve tırmanma kılıfı içermektedir. Merdiven tırmanma uygulamaları için, strenal konumdaki ön D-Halkası ile donatılmış kemerler sabit merdiven tırmanma sistemlerinde düşme önleme için kullanılabilir. <i>Eklenti Elemanları:</i> Sternal. <i>Ankraj Dayanımı:</i> Tırmanma sisteminin eklendiği yapının tırman sistemi üreticileri dokümantasyonu tarafından gerektiği şekilde yükleri sürdüremeleri gereklidir.
(D)	Kurtarma (EN1496, EN1497, EN1498): Tam Vücut Kemerini, kurtarma sisteminin bir bileşeni olarak kullanılır. Kurtarma sistemleri, kurtarmanın türüne bağlı olarak yapılandırılır. Sınırlı erişim (kapalı alan) uygulamaları için, omuzlardaki D-Halkaları ile donatılmış kemerler işçi profiline bir sorun olduğu kapalı alanlara giriş ve çıkış için kullanılabilir. <i>Eklenti Elemanları:</i> Sirt, Sternal, Ön, Omuz. <i>Ankraj Dayanımı:</i> Seçili ankrajın 12 kN (2 698 lbf) veya daha fazla yükleri sürdürebilmesi gereklidir.
(E)	Kontrollü İniş (EN341): Kontrollü iniş uygulamaları için, tekli sternal D-Halkası, bir veya iki ön monte edilmiş D-Halkaları ya da belin altından başlayan bir çift konnektör (mesela koltuk kayışı) ile donatılmış kemerler, kurtarma ve tahliye sistemine bağlantı için kullanılabilir. <i>Eklenti Elemanları:</i> Sirt Sternal, Ön. <i>Ankraj Dayanımı:</i> Seçili ankrajın 12 kN (2 698 lbf) veya daha fazla yükleri sürdürebilmesi gereklidir.
(F)	Bağ (EN354): Tam Vücut Kemerini, kullanıcının bir düşme tehlikesi yaşamasını önlemek için bağ sisteminin bir bileşeni olarak kullanılır. Bağ sistemleri tipik olarak, bir Tam Vücut Kemerini ve bir halatı veya bağ hattı içermektedir. <i>Eklenti Elemanları:</i> Sirt Sternal, Ön, Kalça. <i>Ankraj Dayanımı:</i> Seçili ankrajın herhangi bir tekstil malzemesi veya tekstil kordonu elementleri içeren boyunluklar, örneğin, en az 18 kN (4 047 lbf); sentetik elyaf halatlar veya dokumalar kullanılır. Tamamen metalik elemanlardan yapılan kordonlar kullanıldığında, demirleme en az 12 kN (2 698 lbf) yükü taşımaktadır.

1.2 STANDARTLAR: Bu kılavuzda belirtilen kemerler, bu talimatın ön kapağında tanımlanan standart(lar)a uygundur. Bu ürünün orijinal varış ülkesi dışında yeniden satılması durumunda, satıcı bu talimatları ürünün kullanılacağı ülkenin dilinde temin etmelidir.

1.3 EĞİTİM: Bu talimatlar hakkında bilgi sahibi olmak, ekipmanın doğru bakım ve kullanımına ilişkin eğitilmiş olmak ve işletim özellikleri, uygulama sınırlamaları ve hatalı kullanımından doğan sonuçların farkında olmak, bu ekipmanın kullanıcısı ve satın alanın sorumluluğundadır.

1.4 SINIRLAMALAR: Bu ekipmanı kullanmadan önce daima aşağıdaki uygulama sınırlamalarını göz önünde bulundurun:

- KAPASİTE:** Tam Vücut Kemerini, ağırlığı 140 kg (309 lb.)'dan fazla olmayan (kıyafet, alet, vb.) kişiler tarafından kullanımı için tasarlanmıştır. Sistemindeki tüm bileşenlerin uygulama için uygun bir kapasitede değerlendirilmiş olduğundan emin olun.
- SERBEST DÜŞME:** Bir düşme durdurma sistemi, serbest düşmenin durdurulması sırasında kullanıcının vücudu üzerindeki darbe kuvvetlerinin maksimum 6 kN (1 349 lbf) ile sınırlandırılmasını sağlamak için enerji emici elemanlar veya işlevler içermelidir. Dikey serbest düşmenin olmaması için bağ sistemlerinin bağlanması gereklidir. Çalışma konumlandırma sistemlerinin serbest düşmenin 60 cm (24 in.) veya daha az ile sınırlandırılması için bağlanması gereklidir. Dikey serbest düşmenin olmaması için personel binme sistemlerinin bağlanması gereklidir. Dikey serbest düşmenin olmaması için kurtarma sistemlerinin bağlanması gereklidir. Daha fazla bilgi için alt sistem üreticisi talimatlarına bakın.
- DÜŞME BOŞLUĞU:** Şekil 3, bir Düşme Önlemenin bileşenlerini göstermektedir. Kullanıcı yere veya başka bir engele çarpmadan önce düşmeyi önlemek için yeterli Düşme Boşluğu (DB) bulunması gereklidir. Boşluk, aşağıdakileri de içeren bir çeşit unsurlardan etkilenmektedir: (A) Halat Uzunluğu, (B) Halat Yavaşlama Mesafesi veya SRD Maksimum Önleme Mesafesi, (C) Kemer Esnemesi ve D-Halka/Konnektör Uzunluğu ve Yerleşim (tipik olarak 0,5 m (1,6 ft.) 'lik bir Güvenlik Ursuru). Düşme Boşluğu hesaplamasına dair ayrıntılar için Halat veya Kendinden Geri Çekmeli Cihaz ile birlikte verilen talimatlara bakın.
- SALLANARAK DÜŞMELER:** Sallanarak Düşmeler, bağlantı noktası düşmenin meydana geldiği noktanın doğrudan üzerinde olmadığında gerçekleşir (bkz. Şekil 4). Sallanarak düşmede bir nesneye çarpma kuvveti ciddi bir yaralanmaya veya ölüme neden olabilir. Ankraj noktasının mümkün olduğunca doğrudan altında çalışarak sallanarak düşmeleri asgari düzeye indirin. Yaralanma ihtimali varsa sallanarak düşmeye asla izin vermeyin. Sallanarak düşmeler Kendinden Geri Çekmeli Cihaz veya diğer çeşitli uzunlukta alt sistem bağlantısı kullanıldığında gerekli boşluğu önemli ölçüde artıracaktır.
- UZUN SÜRE ASILI KALMA VE ASILI KALMA TRAVMASI:** Tam Vücut Kemerini uzun süre asılı kalma uygulamalarında kullanılmak üzere tasarlanmamıştır. Uzun süre asılı kalmak, Asılı Kalma Travmasına yol açabilir. Kullanıcının uzun bir süre asılı kalacak olması halinde bir tür oturma desteği kullanılması tavsiye edilir. 3M, bir oturma panosu, askıda çalışma oturağı, oturma kayışı veya asılı koltuk tavsiye etmektedir. Bu ürünler ile ilgili daha fazla bilgi için 3M ile irtibat kurun..
- ÇEVRESEL TEHLİKELER:** Bu ekipman çevresel tehlikelerin bulunduğu alanlarda kullanılırken kullanıcının yaralanması veya ekipmanın zarar görmesini engellemek için ek önlemler alınmalıdır. Isı, kimyasal maddeler, aşındırıcı ortamlar, yüksek gerilimli elektrik hatları, gazlar, hareketli makine aksamaları ve keskin kenarları içeren, ancak bunlarla sınırlı olmayan tehlikeler bulunabilir.
- YÜKSEK SICAKLIK ÇEVRELERİ İÇİN KEMERLER:** Kevlar örgüsü olan kemerler, yüksek sıcaklıklı çevrelerde, sınırlamalarla kullanım için tasarlanmıştır: Kevlar örgüsü, 425 - 480 °C (800 - 900 °F) sıcaklıkta yanmaya başlar. Kevlar örgü, 535 °C (1 000 °F) sıcaklığa kadar sıcaklıklara temasa dayanabilir. Polyester örgü, 145 - 200 °C (300 - 400 °F) sıcaklıkta dayanım kaybeder. Donanımdaki PVC kaplamada yaklaşık 175 °C (350 °F) sıcaklıklı bir erime noktasına sahiptir.

PVC kaplı ve çinko kaplama donanımı kimyasal, asidik, alkali ve atmosferik koşullarda mükemmel korozyon direnci sergilemesine rağmen, Sık sık denetimler gerektirebilir. Bu ekipmanın tehlikeli ortamlarda kullanımına dair sorunuz olması halinde 3M'ye danışın.

2.0 SİSTEM KULLANIMI

2.1 KURTARMA PLANI: Bu ekipmanı ve bağlantı alt sistemini/sistemlerini kullanırken, işverenin bir kurtarma planı ve bunu uygulayacak gereçleri olmalıdır ve işveren bu planını kullanıcılara¹, yetkili kişilere²ve kurtarma görevlilerine iletmelidir³.

2.2 MUAYENE SIKLIĞI: Tam Vücut Kemeri, kullanıcı tarafından her kullanımdan önce ve kullanıcı dışında bir uzman⁴ tarafından yılda birden fazla olmayan aralıklarla incelenmesi gereklidir⁵. Muayene prosedürleri, "Muayene ve Bakım Günlüğü" içinde açıklanmıştır. Her bir uzman denetimi sonuçlarının "Muayene ve Bakım Günlüğü" kopyalarına kaydedilmesi veya Radyo Frekans Tanımlama sistemi ile izlenmesi gerekmektedir (bkz. "Muayene").

Ekipmanın karmaşıklığı veya yeniliği nedeniyle 3M tarafından talep edildiğinde; veya ekipmanın sökülmesinde, yeniden montajında veya değerlendirilmesinde kritik bilgiye ihtiyaç duyulduğunda, dönemsel muayeneler sadece 3M tarafından veya 3M tarafından yetkilendirilen kişi ya da kuruluşlar tarafından gerçekleştirilir.

2.3 BİLEŞENLERİN UYUMLULUĞU: 3M ekipmanı, sadece 3M onaylı bileşenler ve alt sistemlerle birlikte kullanım için tasarlanmıştır. Onaylanmamış bileşenler veya alt sistemlerle yapılan değiştirmeler ekipmanın uyumluluğunu riske atabilir ve komple sistemin güvenliği ve güvenilirliğini etkileyebilir.

2.4 KONNEKTÖRLERİN UYUMLULUĞU: Konektörler, nasıl yönlendirilirse yönlendirilsinler, boyutları ve şekilleri geçme mekanizmalarının yanlışlıkla açılmasına neden olmadan birlikte çalışacak şekilde tasarlandığı takdirde bağlantı elemanları ile uyumludur. Uyumluluk konusunda bir sorunuz olduğu zaman 3M ile görüşün. Konektörler (kancalar, karabinalar ve D-Halkaları) en az 22 kN (4 946 lbf) değerini destekleyecek kapasitede olmalıdır. Konektörler, tespit yeri veya diğer sistem bileşenleri ile uyumlu olmalıdır. Uyumlu olmayan ekipmanı kullanmayın. Uyumlu olmayan konektörler istenmeyen açılmalara yol açabilir (Bkz. Şekil 5). Konektörler ebat, şekil ve direnç olarak uyumlu olmalıdır. Bir yaylı kancanın (gösterilmiştir) veya karabinanın bağlı olduğu bağlantı elemanı gerekenden daha küçük boyutlu veya bozuk şekilli olduğu takdirde bağlantı elemanının yaylı kanca veya karabina ağına kuvvet uyguladığı bir durum ortaya çıkabilir. Bu kuvvet, kapının açılmasına sebep olarak, yaylı kanca veya tespit segmanının bağlantı noktasından serbest kalmasına izin verebilir. Kendinden kilitli yaylı kancalar ve karabinalar kullanılması gerekmektedir.

2.5 BAĞLANTILARI YAPMA: Bu ekipmanla sadece kendinden kilitli yaylı kancalar ve karabinaları kullanın. Her uygulama için sadece uygun bağlantı parçaları kullanın. Tüm bağlantı parçalarının boyut, şekil ve dayanım bakımından uyumlu olmasına dikkat edin. Uyumlu olmayan ekipmanı kullanmayın. Bütün bağlantı parçalarının tam olarak kapalı ve kilitli olmasına dikkat edin.

3M konektörler (yaylı kancalar ve karabinalar) yalnızca her ürünün kullanıcı kılavuzunda belirtilen şekilde kullanılmak için tasarlanmıştır. Uygun olmayan bağlantılar için Şekil 6'ya bakın. 3M yaylı kancalar ve karabinalar şuralara bağlanmamalıdır:

- A. Başka bir konektörün bağlı olduğu bir d halkasına.
- B. Kapıda bir yüklenmeye sebep olacak şekilde bağlanmamalıdır.
- C. Yaylı kancadan veya karabinadan çıkan elemanların d-halkayı tuttuğu ve gözle teyit etmeden bağlantı noktasına tam olarak tutunmuş gibi görünen sahte bir bağlantı ile bağlanmamalıdır
- D. Bunlar birbirlerine bağlanmamalıdır.
- E. Doğrudan örgüye veya halat ipine ya da arka bağlantıya (hem halat hem bağlantı parçası ile ilgili üretici talimatları böyle bir bağlantıya açıkça izin vermediği sürece) bağlanmamalıdır.
- F. Yaylı kancanın veya karabinanın kapanmayacağı veya kilitlenmeyeceği ya da açılacağı bir şekle veya boyuta sahip herhangi bir nesneye bağlanmamalıdır.
- G. Bağlantı parçasının yük altında düzgün şekilde hizaya giremeyeceği bir tarzda bağlanmamalıdır.

2.6 BAĞLANTI ALT SİSTEMLERİ: Bağlantı alt sistemlerinin (kendinden geri çekmeli cankurtaran halatı, emniyet kemeri, halat tutucu ve cankurtaran halatı, kablo kılıfı, vb.) uygulamanız için uygun olması gereklidir (Bkz. bölüm 1.1). Ek bilgi için alt sistem üreticisi talimatlarına bakın. Bazı kemer modellerinde ağ halka bağlantı noktaları vardır. Ağ halkalarına bağlamak için yaylı kancaları kullanmayın. Ağ halkasına bağlamak için kendinden kilitli karabina kullanmayın. Karabinanın yükü (Karabina ana eksenini boyunca değil, kapıya karşı yük) çapraz yolla geçemeyeceğinden emin olun. Bazı halatlar uyumlu bir bağlantı sağlamak için bir ağ halkasını tıkamak üzere tasarlanmıştır. Halatlar, kalıcı bir bağlantı oluşturarak doğrudan ağ halkasına dikilebilir. Düzgün boyutlu bir ağ halkasına iki emniyet kemeri tıkamadıkça, bir ağ halkasında çoklu bağlantılar yapmayın.

Ağ halkasında bir halatı tıkamak için (Şekil 7): A) Halatı kemerin üzerindeki ağ halkasını ağ halkası veya D-Halkasına takın.

B) Halatın uygun ucunu halat ağ halkası üzerinden geçirin. C) Emniyete almak için halatı bağlantı ağ halkasından geçirin.

2.7 HALAT PARKI: Şekil 8 Halat Parkını göstermektedir. Halat Park Eklentisi, Ankraj Bağlantı Noktasına bağlı olmadığına düşme önleme amaçları doğrultusunda Halatın veya Kendinden Geri Çekmeli Cihaz monteli kemerin boştaki ucuna eklemek içindir. Halat Park Eklentilerinin, bir Halat veya Kendinden Geri Çekmeli Cihaz (A) bağlamak için Kemer Üzerindeki Düşme Koruma Eklenti Elemanı olarak asla kullanılmaması gereklidir.

Ankraj Bağlantı Noktasına bağlanmadığında, bağlantısız bir Halat Bacağının kemere (B) düzgün bir şekilde park edilmesi veya %100 Bağlama uygulamalarında (Tie-Off) (C) olduğu gibi kullanıcının elinde sabitlenmesi gerekir. Boşta asılı Halat Bacakları (D) kullanıcıya yol gösterebilir veya bir düşme ile sonuçlanan etraftaki nesnelere yakalayabilir.

1 Kullanıcı: Personel düşme koruma sistemi ile korunurken yüksekte etkinlikler gerçekleştiren kişi.

2 Yetkili Kişi: İşveren tarafından kişinin bir düşme tehlikesiyle karşı karşıya olacağı bir yerdeki görevleri yerine getirmesi için atanmış bir kişi.

3 Kurtarma Görevlisi: Kurtarmaya konu olan kişi dışında kalan ve bir kurtarma sistemi uygulayarak yardımcı kurtarma işlemi gerçekleştiren kişi veya kişiler.

4 Yetkin Kişi: Çevrede veya çalışma koşullarında çalışanlar için sağlıklı, tehlikeli veya riskli olan mevcut veya öngörülebilir tehlikeleri belirleyebilen ve bunları ortadan kaldırmak üzere acil düzeltici önlemler alma yetkisi bulunan kişi.

5 Muayene Sıklığı: Aşırı çalışma koşulları (sert çevre şartları, uzun süreli kullanım vb.) yetkin kişi muayenelerinin sıklığının artırılmasını gerektirebilir.

3.0 EMNİYET KEMERİ KULLANIMI

3.1 HER KULLANIMDAN ÖNCE BU EKİPMANI "Muayene ve Bakım Günlüğü" (Tablo 1) ile uyumlu olarak muayene edin.

3.2 Kullanmadan önce sisteminizi **PLANLAYIN**. Bu ekipmanın kullanımı sırasında güvenliğinizi etkileyecek tüm faktörleri göz önünde bulundurun. Aşağıdaki liste, sisteminizi planlarken dikkate alınması gereken önemli noktaları verir:

- **Ankraj:** Öngörülen düşme koruma uygulamasının Statik Yük gereksinimlerini karşılayabilecek bir ankraj seçin (bkz. Bölüm 1.1). Ankraj konumunun, Bölüm 1.4'te açıklanan Serbest Düşme, Düşme Boşluğu, Salınarak Düşme ve Çevresel sınırlamaları belirtmesi gereklidir.
- **Keskin Kenarlar:** Sistem bileşenlerinin açık keskin kenarlar ile temas edeceği veya açık keskin kenarlar tarafından aşındırılabilceği yerlerde çalışmayın.
- **Bir Düşme Sonrasında:** Düşmeyi önlemenin kuvvetlerine maruz kalan bileşenlerin hizmetten çıkarılması ve imha edilmesi gereklidir.
- **Kurtarma:** Bu ekipmanı kullanırken işverenin bir kurtarma planı olması gereklidir. İşverenin hızlı ve güvenli şekilde bir kurtarma gerçekleştirebilmesi gereklidir.
- **Kurtarma Kayışları:** Kurtarma Kayışları (EN 1497) normal çalışma faaliyetlerinde giyilmek için tasarlanmıştır. Kullanıcı, kurtarma bağlantı elemanlarını ilk kez kullanmadan önce kayışların askı sırsında en iyi seviyede rahatlık için uygun boyutta olduğunu ve iyi yerleştiğini kontrol etmek için güvenli koşullarda bir askı testi yapmalıdır.
- **Çalışma Konumlandırma:** Bir Çalışma Konumlandırma Sistemi kullanırken her zaman yedek Kişisel Düşme Koruma Sistemi (örneğin Düşme Önleme Sistemi) kullanma ihtiyacını göz önünde bulundurun. Daima bel hizasında veya üstünde bulunan bir bağlantı noktası kullanın.

3.3 **KEMER TOKALARI:** Tam Vücut Kemerleri, Ayak Kayışlarını ve Göğüs Kayışlarını bağlamak ve ayarlamak için çeşitli kemer tokaları ile donatılmıştır. Vücut kemerlerinin Dil Kemer Tokaları vardır. Kemerinizdeki kemer tokası türü için Şekil 1'e bakın. Şekil 9, aşağıdaki kemer tokalarının her birinin çalışmasını göstermektedir:

1. Hızlı Bağlanan Kemer Tokaları:

- A. Hızlı Kemer Tokasını bağlamak için, bir tık sesi duyulana kadar kayışı Reseptöre girdirin.
- B. Takılan Ağ Kayışını ayarlamak için: Sıkmak veya gevşetmek için Ağ Kayışını Kemer Tokası Yuvasında ileri veya geri hareket ettirin.
- C. Hızlı Bağlanan Kemer Tokasını gevşetmek için: Reseptörün her iki tarafındaki Kilit Kollarını sıkın. Kayışı Reseptörden çıkarın.

2. Geçmeli Kemer Tokaları:

- A. Erkek Kemer Tokasını Kadın Kemer Tokasındaki yuvaya yerleştirin.
- B. Boşta kalan kayışı, Erkek Kemer Tokası Kadın Kemer Tokasına karşı gelecek şekilde sıkın. Boşta kalan kayışı Kayış Tutucuya sabitleyin.

3.4 **AYARLAMALAR:** Kemerler Omuz Kayışlarını ayarlamak için bir çift Gövde Ayarlayıcıları ile donatılmıştır. Şekil 10, Gövde Ayarlayıcılarının ayarlamasını göstermektedir:

1. Paraşüt Gövde Ayarlayıcıları:

- A. Omuz Kayışını sıkmak için boşta kalan kayışı çekin. Omuz Kayışını gevşetmek için, boşta kalan kayışı çekin ve ardından Paraşüt Ayarlayıcı üzerinden kayışı geri bırakın.
- B. Doğru şekilde ayarlandığında, boşta kalan kayışı Kayış Koruyucuya sabitleyin.

Velcro ağ ucu yönetimi (Bkz. Şekil 11) mevcutsa, serbest ağ kayışını sıkı olana kadar geri döndürün (A), cırt cırt bantları kayışın üzerine geri takın ve şeritleri (B) sabitleyin. Rulonun sıkı olduğundan ve kayış tutucunun rulonun (C) yakınına kaydırıldığından emin olun.

3.5 **TAM VÜCUT KEMERİNİN TAKILMASI VE SABİTLENMESİ:** Şekil 13 Tam Vücut Kemerinin takılması ve sabitlenmesini göstermektedir. Her kullanımdan önce, "Muayene ve Bakım Günlüğü (Tablo 1)" bölümünde bulunan kontrol listesine göre kemeri muayene edin. Kemeri takıp sabitlemek için:

Kemerin üzerindeki kayışların toka ile tutturulması ve ayarlanması için prosedürler, kemer modeline göre değişecektir. Detaylar için Bölüm 3.3 - 3.4 ve Şekil 9 - 10'a bakın.

1. Kemeri arka Sırt D-Halkası ile kaldırın ve tutun. Kayışların bükülmediğinden emin olun.
2. Omuz Kayışlarını kavrayın ve kemeri bir kol üzerinde kaydırın. Sırt D-Halkası arka tarafınızda olacak. Kayışların dolanmadığından ve serbestçe asıldığından emin olun. Boşta kalan kolunuzu emniyet kemerine takın ve Omuz Kayışlarını omuzlarınızın üzerine yerleştirin. Göğüs Kayışı ve Göğüs Kemer Tokası düzgün giyildiğinde ön tarafa yerleştirilecektir.
3. Bacaklarınız arasında uzanın ve sağ taraftaki Bacak Kayışını kavrayın. Bacaklarınızın arasından kayışı yukarı çekin; sağ kalça üzerindeki eş kemer tokasını toka ile tutturun ve rahat bir şekilde oturması için Bacak Kayışını ayarlayın (toka ile tutturma işlemi için Bölüm 3.3'e bakın). Düzgün bir şekilde ayarlandığında, Bacak Kayışının boşta kalan ucunu Kayış Tutucu altından tutun. Sol Bacak Kayışını toka ile tutturmak ve ayarlamak için bu işlemi tekrarlayın.
4. Varsa, Dil Kemer Tokası Bel Kemerini ayarlayın ve takın. (Dil Kemer Tokası işlemi için Bölüm 3.3'e bakın).
5. Göğüs Kayışını toka ile tutturun ve ayarlayın (toka ile tutturma işlemi için Bölüm 3.3'e bakın). Göğüs Kayışının omuzlarınızın üstünden 15 cm (6 in.) aşağıda olması gereklidir. Düzgün bir şekilde ayarlandığında, Göğüs Kayışının boşta kalan ucunu Kayış Tutucu altından tutun.
6. Gövde Ayarlayıcıları ile bir Sıkı Geçme için Omuz Kayışlarını ayarlayın (Gövde Ayarlayıcı işlemi için Bölüm 3.4'e bakın). Omuz Kayışlarının sol ve sağ tarafları aynı uzunlukta ayarlanması gereklidir ve Göğüs Kayışı alt göğsünüzün ortasından 15 cm (6 in.) aşağı olacak şekilde ortalanmalıdır. Arka Sırt D-Halkanın, Kürek Kemiklerinizin arasında ortalanması gereklidir. Varsa, ön Sternal D-Halkanın kemeri dikey merkez çizgisinin 5 cm (2 in.) içine dikey olarak yerleştirilmesi gereklidir.

Kullanım sırasında sabitleme ve ayar elemanlarını düzenli olarak kontrol edin

- 3.6 DÜŞME ÖNLEME D-HALKASI VEYA EKLENTİ ELEMANI KULLANIMI:** Düşme Tutuklaması için çapa noktaları büyük harf "A" ile işaretlenmiştir. Düşme Önleme uygulamaları için sırtınızdaki Sırt D-halkasına veya bağlantı elemanına, kürek kemiklerinizin arasına bağlayın, ya da göğsünüzde Sternal D-halka bağlantı elemanı. Yan D-halkaları, varsa, sadece Konumlandırma veya Kısıtlama uygulamaları içindir. Omuz eklemleri sadece Kurtarma ve Geri Çekme uygulamaları içindir. Ön Sternal D-halka, Merdiven Tırmanma veya Konumlandırma içindir. Bir Asılı Kalma Koltuğu üzerindeki D halkaları sadece Asılı Kalma veya Konumlandırma uygulamaları içindir. (Bkz. Bölüm 1.1).
- 3.7 BAĞLANTILARI YAPMA:** Bir ankraja bağlamak için bir kanca kullanırken ya da sistemin bileşenlerini bir araya getirirken, açılma işleminin gerçekleşmediğinden emin olun. Kanca ve eşleşme konnektörü arasındaki engel, kanca kapısının istem dışı açılmasına ve serbest kalmasına neden olduğunda açılma meydana gelir. Kendiliğinden kilitlenen çengelli kancalar ve karabinalar yuvarlanma olasılığını azaltmak için kullanılmalıdır. Eklenen nesnelere tamamen yaklaşmayacak kanca ve konnektörler kullanmayın. Bağlantı kurma hakkında daha fazla bilgi için alt sistem üreticisinin talimatlarına bakın.
- 3.8 BAĞLANTI SİSTEM BİLEŞENLERİ:** Kemer takıldıktan sonra kullanıcı diğer sistem bileşenlerine bağlanabilir. Bölüm 2'deki yönergeleri ve üreticinin bileşenle birlikte gelen yönergelerini izleyin.

4.0 MUAYENE

- 4.1 MUAYENE SIKLIĞI:** Tam Vücut Kemerini Bölüm 2.2'de tanımlanan aralıklarla kontrol edilmelidir. Muayene prosedürleri, "Muayene ve Bakım Günlüğü"nde (Tablo 1) açıklanmıştır.
- 4.2 KUSURLAR:** Muayene sonucunda kusurlu bir koşul ortaya çıkarsa emniyet kemerini derhal hizmetten çıkarın ve imha edin.
- 4.3 ÜRÜN ÖMRÜ:** Emniyet Kemerlerinin işlevsel ömrü çalışma koşullarına ve bakıma göre belirlenir. Maksimum ömür süresi çok zor koşullarda yoğun şekilde kullanım için 1 yıldan hafif koşullarda az kullanım için 10 yıla kadar değişebilir. Ürün, muayene ölçütlerini geçtiği sürece kullanımda kalabilir, maksimum 10 yıla kadar.

5.0 BAKIM, SERVİS, SAKLAMA

Ürünü, aşağıdaki temizleme talimatlarında açıklananlar dışında farklı bir yöntemle temizlemeyin veya dezenfekte etmeyin. Diğer yöntemler, ürün veya kullanıcı üzerinde olumsuz etkilere neden olabilir.

- 5.1 TEMİZLİK:** 3M tam vücut emniyet kemerleri, 3M talimatlarına göre temizlenmelidir. Emniyet kemerini temizlemek için hafif, ağartıcısız bir deterjanla yıkayın ve ardından durulayın. Emniyet kemeri daha sonra havada kurumaya bırakılmalıdır. Temizlik için kullanılan su ve havada kurutma sıcaklığı asla 54,4°C (130°F) sıcaklığı geçmemelidir. Daha fazla bilgi için lütfen web sitemizdeki teknik bültene bakın: <http://www.3M.com/FallProtection/WebCleaning>

Temizleme prosedürleri ile ilgili herhangi bir sorunuz için lütfen 3M Teknik Servis departmanı ile iletişime geçin.

- 5.2 SERVİS:** Tam Vücut Kemerleri onarılamaz. Kemer düşme kuvvetine maruz kalmışsa veya muayene sonucunda güvensiz veya kusurlu bir durum tespit edilirse Kemerini hizmet dışı bırakın ve imha edin.
- 5.3 SAKLAMA VE TAŞIMA:** Tam Vücut Kemerini doğrudan güneş ışığından uzak, serin, kuru ve temiz bir ortamda saklayın ve taşıyın. Kimyasal buharların mevcut olabileceği bölgelerden uzak durun. Uzun süreli saklama sonrasında emniyet kemerini detaylı şekilde inceleyin.

6.0 ETİKETLEME

Şekil 14, ürün etiketlerini ve bunların Tam Vücut Kemerini üzerindeki yerlerini göstermektedir. Tüm etiketleme mevcut ve tamamen okunur olmalıdır.

Her etiketteki bilgiler şu şekildedir:

1	(A) "A" büyük harfiyle işaretlenen düşüş durdurma için tutturma noktası (B) Etiket yeri
2	(A) Muayene Günlüğü (B) Seri numarası (C) Başlangıç (D) Tarihi (E) Bu etiketi çıkarmayın.
3	(A) Kullanıcı bilgisi etiketi
4	(A) Seri numarası (B) Üretim ayı (C) Üretim yılı (D) Seri numarası (E) Model numarası (F) Avrupa standardı (G) Kapasite (H) Boyut (I) Talimatlara Bkz (J) CE işareti (K) Yazılıma uygun onaylanmış kuruluş numarası (L) Bant Boyutu

Перед застосуванням цієї страхувальної обов'язки уважно прочитайте, зрозумійте та дотримуйтесь усіх правил безпеки, викладених у цій інструкції. НЕДОТРИМАННЯ ЦЬОЇ ВИМОГИ МОЖЕ ПРИЗВЕСТИ ДО ВАЖКИХ ТІЛЕСНИХ УШКОДЖЕНЬ АБО СМЕРТІ.

Цю інструкцію необхідно надати користувачеві цього обладнання. Зберігайте цю інструкцію на випадок, якщо постане потреба скористатися ними у майбутньому.

Цільове застосування:

Ця страхувальна обов'язка використовується у складі повної індивідуальної страхувальної системи для попередження падіння з висоти.

Застосування з іншою метою, наприклад, зокрема, для роботи з матеріалами, у рекреаційній або спортивній діяльності або інших видах діяльності, не зазначених у цій Інструкції з використання, не передбачене ЗМ, і може стати причиною важкої травми або смерті.

Цей пристрій застосовується лише навченими користувачами на робочому місці.

УВАГА

Ця страхувальна обов'язка є складовим елементом повної індивідуальної страхувальної системи для попередження падіння з висоти. Передбачається, що усі користувачі пройдуть повне навчання з встановлення та використання цієї індивідуальної системи попередження падіння з висоти. **Неправильна експлуатація може стати причиною важкої травми або смерті.** З питаннями щодо вибору, експлуатації, встановлення, обслуговування та сервісу звертайтеся до цих Інструкцій користувача та рекомендацій виробника, до безпосереднього керівника або Служби технічної підтримки ЗМ.

- **Для зменшення ризиків, пов'язаних з роботою у страхувальній обов'язці, котрі, якщо їх не попередити, можуть призвести до важкої травми або смерті:**
 - Оглядайте виріб перед кожним застосуванням, щонайменше щороку, та після будь-якого випадку падіння. Огляд проводьте відповідно до Інструкцій користувача.
 - Якщо під час огляду будуть виявлені небезпечні явища або ушкодження, слід вивести пристрій з експлуатації та утилізувати його.
 - Будь-який пристрій, що був задіяний у затримці падіння або став предметом впливу фізичних сил, необхідно без зволікань вивести з експлуатації та утилізувати.
 - Переконайтеся, що обов'язка надягнута відповідно до правил, її розмір вірно підібраний, та вона правильно відрегульована.
 - Переконайтеся, що усі з'єднувальні системи (напр., стропи) не зазнають впливу чинників небезпеки, наприклад, зокрема, не можуть бути зачіплені іншими працівниками, вами, рухомим механічним обладнанням або іншими об'єктами довкілля.
 - Переконайтеся, що системи/підсистеми попередження падіння, зібрані з компонентів, що вироблені різними виробниками, сумісні та відповідають вимогам застосованих стандартів, у тому числі ANSI Z359 та інших відповідних норм, стандартів або вимог, що регулюють правила захисту від падіння. Перед застосуванням таких систем завжди звертайтеся по консультацію до компетентної або кваліфікованої особи.
- **Для зменшення ризиків, пов'язаних з роботою на висоті, котрі, якщо їх не попередити, можуть призвести до важкої травми або смерті:**
 - Переконайтеся, що ваш стан здоров'я та фізичного розвитку достатні для того, аби витримати фізичні навантаження при роботі на висоті. Якщо у вас є запитання стосовно ваших можливостей з використання цього устаткування, зверніться до вашого лікаря.
 - Ніколи не перевищуйте максимально дозволене навантаження на ваше обладнання для попередження падіння з висоти.
 - Ніколи не перевищуйте максимальної величини відстані вільного падіння вашого захисного обладнання.
 - Ніколи не користуйтеся обладнанням з попередження падіння, котре не пройшло перевірок перед використанням або інших планових перевірок, або за наявності сумнівів у надійності або придатності цього обладнання для ваших потреб. Якщо виникнуть запитання, звертайтеся до Служби технічної підтримки ЗМ.
 - Деякі підсистеми або комбінації компонентів можуть впливати на експлуатаційні характеристики цього обладнання. Використовуйте виключно сумісні з'єднання. Звертайтеся по консультацію до ЗМ перед використанням цього обладнання з компонентами або підсистемами, що не включені до описаних у цій Інструкції користувача.
 - При роботі поблизу рухомого механічного обладнання (напр., силових приводів або бурових веж), джерел електричної небезпеки, в умовах екстремальних температур, за наявності хімічної небезпеки, в присутності вибухонебезпечних або токсичних газів, за наявності гострих предметів або під навислими матеріалами, що можуть впасти на вас або ваше обладнання для захисту падіння з висоти, завжди дотримуйтеся додаткових правил техніки безпеки.
 - При роботі в умовах високих температур використовуйте пристрої, призначені для роботи з духовими спалахами або для вогневих робіт.
 - Уникайте поверхонь та об'єктів, здатних нанести травму користувачеві або пошкодити обладнання.
 - При роботі на висоті переконайтеся у наявності достатнього запасу висоти падіння.
 - Ніколи не вносьте модифікацій та змін до вашого обладнання для попередження падіння. Проводити ремонт обладнання має право лише ЗМ або сторони, уповноважені ЗМ у письмовій формі.
 - Перед застосуванням обладнання для попередження падіння з висоти переконайтеся в наявності аварійного плану, що описує невідкладні заходи у випадку падіння.
 - Якщо станеться падіння, без зволікань зверніться по медичну допомогу для робітника, котрий впав.
 - Не використовуйте запобіжний пояс в якості засобу попередження падіння. Використовуйте тільки страхувальну обов'язку.
 - Попереджуйте розхитування при падінні, працюючи максимально близько до вертикальної осі, проведеної через точку фіксації.
 - Під час навчання правилам роботи з цим пристроєм необхідно використовувати допоміжну систему захисту від падіння з висоти, щоб особа, котра проходить навчання, була захищена від ризиків, пов'язаних з випадковим падінням.
 - При встановленні, застосуванні або перевірці пристрою/системи завжди надягайте необхідні засоби індивідуального захисту.

Перед використанням цього обладнання переписіть ідентифікаційні дані виробу з ярлика в «Журнал перевірок та обслуговування», що знаходиться в кінці даного керівництва.

Завжди перевіряйте та використовуйте останню версію інструкцій із використання ЗМ. Відвідайте веб-сайт ЗМ або зверніться у службу технічної підтримки ЗМ для отримання оновлених інструкцій із експлуатації.

ОПИСАННЯ

На малюнку 1 вказано доступні моделі страхувальної прив'язі ЗМ™ Protecta®. Моделі прив'язі доступні в різних комбінаціях таких властивостей:

	Позначення на малюнку 1:	Опис:
Розміри	S, M/L, XL	Малий, Середній/Великий, Дуже великий
	Ⓟ	Розмір пояса в см
Елементи під'єднання	①	D-подібне кільце на спині
	②	D-подібне кільце на грудях
	③	D-подібні кільця на стегнах
	④	Плечове кріплення
Пряжки	⑤	Пряжки для швидкого під'єднання
	⑥	Наскрізнi пряжки
Регулятори	⑦	Парашутні регулятори для торсу
Підкладки	⑧	Підкладка на пояс і стегно
	⑨	Підкладка для ніг
Додаткові елементи	⑩	Роз'ємні фіксатори стропа з автоматичним регулюванням
	⑪	Контроль з боку тканини - див. мал. 11
	⑫	Рятувальний пояс
	⑬	Пристрій петлі

СПЕЦИФІКАЦІЇ

Технічні характеристики:	
Максимальне зусилля затримки:	6 kN (1 349 lbf)
Вантажопідйомність:	140 kg (310 lb.)
Робоча температура:	Мінімальна: -35 °C (-31 °F) Максимальна: +57 °C (135 °F)

Матеріали:	
Тканина	Поліестер — міцність на розтягування 22 kN (4 946 lbf)
Покриття підкладок	Суміш нейлону та поліестеру
Покриття ярликів	Суміш нейлону та поліестеру
Нитки	Поліестерна нитка на поліестерній тканині
D-образні кільця	Легована сталь — міцність на розтягування 22 kN (4 946 lbf)
Пряжки для швидкого під'єднання	Сталь, нержавіюча сталь, легована сталь — міцність на розтягування 18 kN (4 047 lbf)
Наскрізнi пряжки	Легована сталь — міцність на розтягування 18 kN (4 047 lbf)
Парашутні регулятори для торсу	Легована сталь — міцність на розтягування 18 kN (4 047 lbf)

1.0 ЗАСТОСУВАННЯ

1.1 ПРИЗНАЧЕННЯ: Страхувальні прив'язі використовуються як елементи системи індивідуального захисту від падіння, призначеної для запобігання чи безпечного стримування падіння (див. мал. 2). Страхувальні прив'язі використовуються в таких випадках:

А	Стимування падіння (EN360, EN361, EN355): індивідуальні системи стимування падіння зазвичай включають страхувальну прив'язь і підсистему для з'єднання (строп з амортизатором, інерційна котушка тощо). Максимальне зусилля стимування не має перевищувати 6 kN (1 349 lbf). <i>Міцність анкерної точки:</i> вибрана анкерна точка має витримувати навантаження 12 kN (2 698 lbf) чи більше.
В	Фіксація робочого положення (EN358, EN813): системи фіксації робочого положення зазвичай включають страхувальну прив'язь, строп для фіксації робочого положення та резервну систему стимування падіння. Для фіксації робочого положення закріпіть підсистему фіксації (строп, У-подібний строп тощо) на нижньому рівні (рівень стегна) чи під'єднайте до елементів фіксації робочого положення на поясі (D-подібних кільць). Заборонено використовувати ці точки під'єднання для стимування падіння. <i>Точки закріплення:</i> спереду, на рівні стегна. <i>Міцність анкерної точки:</i> Вибрана анкерна точка має витримувати навантаження 12 kN (2 698 lbf) чи більше.
С	Верхолазні роботи (EN353-1): страхувальна прив'язь використовується як елемент верхолазної системи, щоб запобігти падінню користувача при підйомі на драбину чи іншу верхолазну конструкцію. Зазвичай, верхолазні системи включають страхувальну прив'язь, вертикальний трос чи поручень, закріплені на конструкції, і верхолазний рукав. При підйомі на драбину прив'язі з фронтальним D-подібним кільцем на грудях можуть використовуватися для стимування падіння з фіксованих верхолазних систем. <i>Точки закріплення:</i> на рівні грудей. <i>Міцність анкерної точки:</i> конструкція, на якій закріплена верхолазна система, має витримувати навантаження згідно з документацією виробника верхолазної системи.
D	Рятувальні роботи (EN1496, EN1497, EN1498): страхувальна прив'язь використовується як елемент рятувальної системи. Рятувальні системи конфігурують залежно від типу рятувальних робіт. При обмеженому доступі (просторі) для входу/виходу в обмежений простір, де габарити працівників є проблемою, можна використовувати прив'язі з D-подібними кільцями на плечах. <i>Точки закріплення:</i> на спині, на грудях, спереду, на плечах. <i>Міцність анкерної точки:</i> вибрана анкерна точка має витримувати навантаження 12 kN (2 698 lbf) чи більше.
E	Контрольоване опускання (EN341): для контрольованого опускання прив'язі з одним D-подібним кільцем на грудях, одним чи двома D-подібними кільцями спереду або з парою фіксаторів нижче талії (сидяча люлька) можна використовувати для під'єднання до системи опускання чи евакуації. <i>Точки закріплення:</i> на спині, на грудях, спереду. <i>Міцність анкерної точки:</i> вибрані анкерні точки мають витримувати навантаження 12 kN (2 698 lbf) чи більше.
F	Обмеження (EN354): страхувальна прив'язь використовується як елемент системи обмеження, яка не допускає користувача в зону можливого падіння. Системи обмеження зазвичай включають страхувальну прив'язь і строп або трос для обмеження. <i>Точки закріплення:</i> на спині, на грудях, спереду, на рівні стегна. <i>Міцність анкерної точки:</i> вибрана анкерна точка має витримувати навантаження щонайменше 18 kN (4 047 lbf), коли шнурки включають будь-який текстильний матеріал або текстильні елементи шнурів, наприклад, використовуються канати або ремені з синтетичного волокна. При використанні стяжок, повністю виготовлених з металевих елементів, кріплення повинно підтримувати навантаження не менше 12 kN (2 698 lbf).

1.2 СТАНДАРТИ: прив'язі, включені в дане керівництво, відповідають стандартам, указаним на обкладинці цієї інструкції. У разі перепродажу за межі країни первинного призначення перепродавець повинен надати ці інструкції на мові країни, в якій буде використано продукцію.

1.3 НАВЧАННЯ: користувач і покупець обладнання відповідають за ознайомлення з цими інструкціями, навчання правилам догляду та використання, а також за обізнаність з робочими характеристиками, межами застосування, наслідками неналежного використання обладнання.

1.4 ОБМЕЖЕННЯ: перед використанням обладнання завжди враховуйте такі межі застосування:

- **ВАНТАЖОПІДЙОМНІСТЬ:** страхувальна прив'язь призначена для використання особами загальною вагою (одяг, інструменти тощо) не більше 140 kg (310 lb.). Переконайтесь, що всі компоненти вашої системи розраховані на вантажопідйомність відповідно застосуванню.
- **ВІЛЬНЕ ПАДІННЯ:** Система запобігання падінню повинна включати енергопоглинаючі елементи або функції для забезпечення того, щоб сили удару на тілі користувача під час зупинки вільного падіння були обмежені максимум 6 kN (1 349 lbf). Системи обмеження мають виключати будь-яке вертикальне вільне падіння. Системи фіксації робочого положення мають обмежувати вільне падіння до висоти 60 см (24 in.) чи менше. Системи переміщення персоналу мають виключати будь-яке вертикальне вільне падіння. Рятувальні системи мають виключати будь-яке вертикальне вільне падіння. Подобиці можна знайти в інструкціях виробників підсистем.
- **ЗАПАС ВИСОТИ:** на мал. 3 вказані елементи стимування падіння. Необхідно забезпечити достатній запас висоти (ЗВ), щоби стримати падіння, перш ніж користувач вдариться об землю чи конструкцію. На запас впливає низка факторів, включаючи: (А) довжина стропа, (В) шлях стимування стропа або максимальна відстань стимування запобіжного верхолазного пристрою (ЗВП), (С) розтягування прив'язі, довжина та конфігурація D-подібного кільця/фіксатора (зазвичай коефіцієнт запасу дорівнює 0,5 m (1,6 ft.)). Деталі розрахунку запасу висоти можна знайти в інструкціях на строп чи інерційну котушку.
- **МАЯТНИКОВІ ПАДІННЯ:** маятникові падіння виникають, коли анкерна точка не знаходиться безпосередньо над точкою, звідки відбувається падіння (див. мал. 4). Сила удару при маятниковому падінні може спричинити серйозні травми або смерть. Мінімізуйте маятникові падіння, працюючи безпосередньо під анкерною точкою, наскільки це можливо. Не допускайте маятникові падіння, якщо це може призвести до травми. Маятникові падіння значно збільшують необхідний запас висоти при використанні інерційної котушки чи іншої підсистеми кріплення перемінної довжини.
- **ТРИВАЛЕ ЗАВИСАННЯ ТА СИНДРОМ ПІДВІШЕНОГО СТАНУ:** Страхувальна прив'язь не призначена для використання при тривалому зависанні. Тривале зависання може призвести до синдрому підвішеного стану. При зависанні користувача на тривалий час, рекомендується використовувати певну форму опори для сидіння. ЗМ рекомендує дошку для сидіння, підвісне сидіння, люльку чи боцманську бесідку. Зв'яжіться з ЗМ, щоб отримати додаткові дані щодо цих елементів.
- **ЗАГРОЗЛИВЕ СЕРЕДОВИЩЕ:** використання цього обладнання в зонах із загрозливим середовищем може вимагати додаткових заходів для попередження травм користувача або пошкодження обладнання. Загрози можуть включати без обмежень: високу температуру, хімічні речовини, агресивні середовища, високовольтні

лінії, газу, рухомі механізми та гострі краї.

- **ПРИВ'ЯЗІ ДЛЯ СЕРЕДОВИЩА З ВИСОКОЮ ТЕМПЕРАТУРОЮ:** прив'язі з кевларової тканини призначені для використання при високій температурі з обмеженнями: кевларова тканина починає обуглюватись при температурі 425 - 480 °C (800 - 900 °F). Кевларова тканина може витримати обмежений контактний вплив температур до 535 °C (1 000 °F). Поліестерна тканина втрачає міцність при температурі 145 - 200 °C (300 - 400 °F). ПВХ покриття металевого обладнання має температуру плавлення близько 175 °C (350 °F).

Хоча ПВХ/цинкове покриття металевого обладнання має виняткову корозійну стійкість у хімічних, кислих, лужних та атмосферних умовах, йому може знадобитись регулярна перевірка. Зв'яжіться з ЗМ, якщо маєте сумніви щодо використання цього обладнання в небезпечному середовищі.

2.0 СИСТЕМНЕ ВИКОРИСТАННЯ

2.1 ПЛАН РЯТУВАЛЬНИХ РОБІТ: при використанні цього обладнання та з'єднувальних підсистем роботодавець повинен мати під рукою план і засоби рятувальних робіт для реалізації та доведення цього плану до користувачів¹, уповноважених осіб² і рятувальників³.

2.2 ПЕРІОДИЧНІСТЬ ПЕРЕВІРОК: страхувальну прив'язь має перевіряти користувач перед кожним використанням, а компетентна особа⁴ (не користувач) — з інтервалом не більше одного року⁵. Процедури перевірки описані в «Журналі перевірок та обслуговування» інструкції з експлуатації. Результати перевірки кожною компетентною особою заносять в екземпляр «Журналу перевірок та обслуговування» чи відстежують за допомогою системи радіочастотної ідентифікації (див. розділ «Перевірка»).

При вимогах ЗМ через складність або інновацію обладнання чи потреби в критичних знаннях при демонтажі, повторному збиранні або оцінці обладнання — періодичні огляди проводяться лише ЗМ або особами чи організаціями, уповноваженими ЗМ.

2.3 СУМІСНІСТЬ КОМПОНЕНТІВ: обладнання ЗМ призначене для використання лише з компонентами та підсистемами, схваленими ЗМ. Заміна на несхвалені компоненти чи підсистеми може поставити під загрозу сумісність обладнання та вплинути на безпеку й надійність всієї системи.

2.4 СУМІСНІСТЬ ФІКСАТОРІВ: фіксатори сумісні зі з'єднувальними елементами, якщо призначені для спільного використання таким чином, щоб їх розміри/форми не призвели до випадкового відкриття фіксаторних механізмів незалежно від їх орієнтації. Зв'яжіться з ЗМ, якщо у вас виникли запитання щодо сумісності. Фіксатори (гаки, карабіни, D-подібні кільця) мають витримувати не менше 22 kN (4 946 lbf). Фіксатори мають бути сумісними з кріпленням або іншими компонентами системи. Не використовуйте несумісне обладнання. Несумісні фіксатори можуть випадково роз'єднатися (див. мал. 5). Фіксатори мають бути сумісними за розміром, формою та міцністю. Якщо з'єднувальний елемент, до якого кріпиться гак (див. малюнок) чи карабін, є меншим чи іншої форми, може виникнути ситуація, де з'єднувальний елемент передає зусилля на блокування гака чи карабіна. Це зусилля може призвести до відкриття фіксатора, що вивільнить гак/карабін з точки з'єднання. Необхідні гаки та карабіни з автоматичним блокуванням.

2.5 З'ЄДНАННЯ: використовуйте з цим обладнанням лише гаки та карабіни з автоматичним блокуванням. Використовуйте лише фіксатори, що підходять для конкретного випадку. Переконайтесь, що всі з'єднання сумісні за розміром, формою та міцністю. Не використовуйте несумісне обладнання. Переконайтесь, що всі з'єднання повністю закриті та заблоковані.

Фіксатори ЗМ (гаки та карабіни) призначені для використання лише згідно з інструкціями користувача на кожен продукт. Див. неправильні з'єднання на мал. 6. Гаки та карабіни ЗМ не можна кріпити:

- A. до D-подібного кільця, до якого під'єднано інший фіксатор.
- B. Способом, що призведе до навантаження на блокування.
- C. Фальшивим зчепленням, коли елементи, що виступають із гака або карабіна, захоплюють точку кріплення (без візуального підтвердження схоже на повну фіксацію до точки кріплення).
- D. Один до одного.
- E. Безпосередньо до тканинного/канатного стропа чи зтяжки (окрім випадків, коли інструкції виробника на строп і фіксатор спеціально дозволяють таке з'єднання).
- F. До будь-якого об'єкту, який має таку форму або розмір, що гак чи карабін не закривається й не блокується, або може виникнути випадіння.
- G. Способом, що не дає фіксатору прийняти нормальне положення під навантаженням.

2.6 З'ЄДНУВАЛЬНІ ПІДСИСТЕМИ: з'єднувальні підсистеми (запобіжний верхолазний пристрій, захват канату, муфта для тросу тощо) мають бути придатними для вашого випадку (див. розділ 1.1). Подробиці можна знайти в інструкціях виробника підсистеми. Деякі моделі прив'язі мають петльові точки з'єднання. Не використовуйте гаки з блокуванням для під'єднання до тканинних петель. Використовуйте карабін з блокуванням для під'єднання до тканинних петель. Переконайтесь, що блокування карабіну не навантажено (зусилля йде вздовж основної осі карабіну). Деякі стропи призначені для зтягування на тканинних петлях, щоб забезпечити сумісне з'єднання. Стропи можуть бути пришиті безпосередньо до тканинної петлі, утворюючи постійне з'єднання. Не робіть декілька з'єднань на одній петлі, окрім зтягування двох стропів на петлі відповідного розміру. Для зтягування стропа на тканинній петлі (мал. 7): A) вставте петлю стропа у тканинну петлю чи D-подібне кільце на прив'язі. B) Вставте відповідний кінець стропа в петлю стропа. C) Протягніть строп через відповідну тканинну петлю для фіксації.

2.7 ФІКСАЦІЯ СТРОПА: на мал. 8 зображена фіксація стропа. Пристрій фіксації стропа служить для закріплення вільного кінця стропа чи інерційної котушки на прив'язі, коли вони не задіяні в анкерній точці для захисту від падіння. Пристрої фіксації стропа заборонено використовувати як елементи захисту від падіння на прив'язі — для під'єднання стропа чи інерційної котушки (A). Якщо він не задіяний в анкерній точці, вільний кінець стропа має бути надійно зафіксований на прив'язі (B) чи утримуватись в руці користувача, як при 100% страховці (Tie-Off) (C). Вільно звисаючі кінці стропа (D) можуть смикнути користувача чи зачепитись за навколишні об'єкти, що призведе до падіння.

1 Користувач: особа, яка проводить роботи на висоті під захистом індивідуальної системи затримки падіння.

2 Уповноважена особа: особа, призначена роботодавцем для виконання обов'язків у місці, де особа може зазнати небезпеки падіння.

3 Рятувальник: особа чи особи, окрім об'єкта порятунку, які надають екстрену допомогу з використанням рятувальної системи.

4 Компетентна особа: особа, здатна виявити наявні й передбачувані ризики в навколишньому середовищі або в умовах праці (антисанітарні, ризиковані чи небезпечні для працівників), яка має дозвіл на негайні виправні заходи щодо їх усунення.

5 Періодичність перевірок: екстремальні умови праці (суворе середовище, тривале використання тощо) можуть вимагати частіших перевірок компетентними особами.

3.0 ВИКОРИСТАННЯ ПРИВ'ЯЗІ

3.1 ПЕРЕД КОЖНИМ ВИКОРИСТАННЯМ цього обладнання перевіряйте його згідно з «Журналом перевірок та обслуговування» (таблиця 1).

3.2 ПЛАНУЙТЕ свою систему перед використанням. Ураховуйте всі фактори, що вплинуть на вашу безпеку під час використання цього обладнання. Цей перелік містить важливі моменти, що слід враховувати при плануванні вашої системи:

- **кріплення:** виберіть кріплення, здатне витримати статичні навантаження під час цільового захисту від падіння (див. розділ 1.1). Місце кріплення має враховувати обмеження щодо вільного падіння, запасу висоти, маятникового падіння та середовища, описані в розділі 1.4.
- **Гострі краї:** уникайте робіт, де компоненти системи можуть контактувати чи тертися об незахищені гострі краї.
- **Після падіння:** компоненти, на які припали зусилля щодо стримування падіння, треба зняти з експлуатації та знищити.
- **Рятувальні роботи:** при роботі з цим обладнанням роботодавець повинен мати План рятувальних робіт. Роботодавець повинен вміти швидко та безпечно виконувати рятувальні роботи.
- **Рятувальна прив'язь:** Рятувальні прив'язі (EN1497) призначені для використання під час виконання стандартної роботи. Перед першим використанням рятувальних точок закріплення користувач повинен пройти пробне зависання у безпечних умовах, щоб упевнитися у тому, що розмір та конфігурація прив'язі відповідають оптимальному комфорту під час зависанням.
- **Робоче позиціонування:** Використовуючи систему робочого позиціонування, завжди зважайте на необхідність використання резервної системи індивідуального захисту від падіння (наприклад, страхувальної системи). Завжди використовуйте опорну точку, розміщену на рівні талії та вище.

3.3 ПРЯЖКИ: страхувальні прив'язі обладнані різноманітними пряжками для закріплення та регулювання лямок на ногах і грудях. Монтажні пояси прив'язей мають язичкову пряжку. Див. типи пряжок прив'язі на мал. 1. На мал. 9 показано використання кожної з таких пряжок:

1. пряжки для швидкого під'єднання:

- щоб закрити пряжку для швидкого під'єднання, вставте язичок в приймальний отвір до клацання.
- Для регулювання під'єданого тканинного стропа: потягніть тканинний строп вперед чи назад через гніздо пряжки, щоб затягнути або ослабити.
- Щоб відкрити пряжку для швидкого під'єднання: стисніть виступи замка з обох сторін прийомного отвору. Витягніть язичок з прийомного отвору.

2. Наскрізні пряжки:

- вставте роз'єм («папу») через гніздо в отвір («маму»).
- Затягніть вільний кінець лямки так, щоб «папа» щільно прилягав до «мами». Закріпіть вільний кінець лямки у фіксаторі.

3.4 РЕГУЛЮВАННЯ: прив'язі обладнані парою регуляторів для торсу, щоб регулювати плечові лямки. На мал. 10 показано використання регуляторів для торсу.

1. Парашутні регулятори для торсу:

- потягніть вільний кінець, щоб затягнути плечову лямку. Щоб ослабити плечову лямку, потягніть вільний кінець, а потім проведіть лямку через парашутний регулятор.
- Після регулювання закріпіть вільний кінець лямки у фіксаторі.

Якщо є керування веб-кінця на липучках (див. Мал. 11), відкатуйте вільний ремінь до щільного (А), з'єднайте смужки липучки назад через ремінь і закріпіть смужки (В). Слідкуйте за тим, щоб рулон був щільним, а тримач ремінця змістився близько до рулону (С).

3.5 НАДЯГАННЯ ТА РЕГУЛЮВАННЯ СТРАХУВАЛЬНОЇ ПРИВ'ЯЗІ: на мал. 13 вказано надягання та регулювання страхувальної прив'язі: Перед кожним використанням перевіряйте прив'язь згідно з контрольним переліком у «Журналі перевірок та обслуговування (таблиця 1)». Для надягання та регулювання прив'язі:

Процедури застібання та регулювання лямок прив'язі різняться залежно від моделі прив'язі. Див. подробиці в розділах 3.3-3.4 і на мал. 9-10.

- Підніміть і тримайте прив'язь за D-подібне кільце на спині. Переконайтесь, що лямки не перекручені.
- Візьміться за плечові лямки та надіньте прив'язь на одну руку. D-подібне кільце на спині буде розташовано позаду вас. Переконайтесь, що лямки не заплутались і вільно звисають. Просуньте вільну руку у прив'язь і розмістіть плечові лямки в себе на плечах. При правильному надяганні грудна лямка та грудна пряжка будуть розташовані попереду вас.
- Просуньте руку між ноги і захопіть стегнову лямку з правої сторони. Проведіть лямку між ногами; застібніть її пряжкою на правому стегні та відрегулюйте стегнову лямку до щільного прилягання (див. використання пряжки в розділі 3.3). Після регулювання закріпіть вільний кінець стегнової лямки під фіксатором. Повторіть процес, щоб застібнути та відрегулювати ліву лямку.
- Відрегулюйте та застібніть язичкову пряжку на поясі при наявності (див. використання язичкової пряжки в розділі 3.3).
- Застібніть і відрегулюйте грудну лямку (див. використання пряжки в розділі 3.3). Грудна лямка має бути на 15 см (6 in.) нижче вашого плеча. Після регулювання закріпіть вільний кінець грудної лямки під фіксатором.
- Відрегулюйте плечові лямки регуляторами торсу до щільного прилягання (див. використання регулятора торсу в розділі 3.4). Ліва та права плечова лямка мають бути однієї довжини, а грудна лямка має бути у вас під грудьми по центру на 15 см (6 in.) нижче плечей. D-подібне кільце на спині має бути по центру між лопатками. D-подібне кільце на грудях при наявності має розташовуватися поперечно в межах 5 см (2 in.) від вертикальної центральної лінії прив'язі.

- 3.6 ВИКОРИСТАННЯ D-ПОДІБНОГО КІЛЬЦЯ ЧИ ЕЛЕМЕНТА КРІПЛЕННЯ ДЛЯ СТРИМУВАННЯ ПАДІННЯ:** Якірні окуляри для арешту падіння позначені великою літерою «А». для стримування падіння під'єднайте D-подібне кільце на спині чи елемент кріплення на спині між лопатками, або елемент прикріплення D-кільця на грудях. Бокові D-подібні кільця при наявності служать лише для фіксації робочого положення та утримання. Кріплення на плечах служать лише для порятунку чи діставання. D-подібне кільце на грудях служить для підйому по драбині чи фіксації робочого положення. D-подібні кільця на підвісному сидінні служать лише для підвішування чи фіксації робочого положення. (Див. Розділ 1.1.)
- 3.7 З'ЄДНАННЯ:** при використанні гака для під'єднання до анкерної точки чи при об'єднанні елементів системи переконайтесь, що випадіння неможливе. Випадіння виникає, коли перешкода між гаком і сумісним фіксатором призводить до непередбачуваного відкриття блокування гака. Для мінімізації можливості випадіння слід використовувати гаки та карабіни з автоматичним блокуванням. Не використовуйте гаки чи фіксатори, які не змикаються повністю на об'єкті закріплення. Подробиці з'єднань можна знайти в інструкціях виробників підсистем.
- 3.8 ПІД'ЄДНАННЯ КОМПОНЕНТІВ СИСТЕМИ:** після регулювання прив'язі користувач може під'єднатись до інших компонентів системи. Дотримуйтесь вказівок у розділі 2 та інструкцій виробника, наданих із компонентом.

4.0 ПЕРЕВІРКА

- 4.1 ПЕРІОДИЧНІСТЬ ПЕРЕВІРОК:** страхувальну прив'язь слід перевіряти з періодичністю, вказаною в розділі 2.2. Процедури перевірки описані в «Журналі перевірок та обслуговування» (Таблиця 1).
- 4.2 ДЕФЕКТИ:** якщо перевірка виявила дефект, треба негайно вивести прив'язь з експлуатації та знищити.
- 4.3 СТРОК СЛУЖБИ:** Функціональний строк служби прив'язі визначається умовами роботи та обслуговуванням. Максимальний строк служби може складати від 1 року при інтенсивному використанні у екстремальних умовах до 10 років при неінтенсивному використанні у м'яких умовах. Поки виріб відповідає критеріям перевірки, він може залишатись в експлуатації, до 10 років.

5.0 ОБСЛУГОВУВАННЯ ТА ЗБЕРІГАННЯ

Не очищуйте та не дезінфікуйте виріб будь-яким способом, не описаним в поданих далі інструкціях з очищення. Інші способи можуть чинити шкідливий вплив на виріб або користувача.

- 5.1 ОЧИЩЕННЯ:** страхувальна обв'язка ЗМ підлягає очищенню відповідно до інструкцій ЗМ. Щоб очистити обв'язку, виперіть її м'яким мийним засобом без відбілювача, а потім промийте. Після цього обв'язку слід повісити для висихання на повітрі. Вода, яка використовується для очищення, і температура повітря під час сушки ні в якому разі не повинні перевищувати 54,4 °C (130 °F). Для отримання додаткової інформації ознайомтеся з технічним бюлетенем на нашому вебсайті: <http://www.3M.com/FallProtection/WebCleaning>

У разі виникнення будь-яких питань щодо процедури очищення звертайтеся в службу технічної підтримки ЗМ.

- 5.2 РЕМОНТ:** Страхувальна прив'язь не підлягає ремонту. Якщо прив'язь зазнала впливу сил під час падіння, або якщо під час перевірки виявлено небезпечний або дефектний стан прив'язі, її треба негайно вилучити з експлуатації та утилізувати.
- 5.3 ЗБЕРІГАННЯ ТА ТРАНСПОРТУВАННЯ:** зберігайте та перевозьте страхувальну прив'язь у прохолодному сухому чистому місці, без впливу прямих сонячних променів. Уникайте місць з можливими хімічними випарами. Ретельно перевіряйте прив'язь після тривалого зберігання.

6.0 МАРКУВАННЯ

на мал. 14 вказані ярлики продукції та їх розташування на страхувальній прив'язі. Усе маркування має залишатися й бути повністю розбірливим.

Інформація на кожному ярлику має включати:

1	(A) Причальний пункт для арешту на падіння, позначений великою буквою "А" (B) Мітка розташування
2	(A) Журнал перевірки (B) Серійний номер (C) Ініціали (D) Дату (E) Не знімайте цей ярлик.
3	(A) Ярлик з даними користувача
4	(A) Серійний номер (B) Місяць виробництва (C) Рік виробництва (D) Номер партії (E) Номер моделі (F) Європейський стандарт (G) Вантажопідйомність (H) Розмір (I) Див. інструкції (J) Знак CE (K) Номер повноважного органу, що перевіряє відповідність (L) Розмір пояса

GLOBAL PRODUCT WARRANTY

ГЛОБАЛНА ПРОДУКТОВА ГАРАНЦИЯ, ОГРАНИЧЕНИЕ НА ВЪЗСТАНОВЯВАНЕ НА ВРЕДИТЕ И ОГРАНИЧЕНИЕ НА ОТГОВОРНОСТТА

ГАРАНЦИЯ: СЛЕДВАЩОТО ЗАМЕНЯ ВСИЧКИ ГАРАНЦИИ ИЛИ УСЛОВИЯ, ИЗРИЧНИ ИЛИ КОСВЕНИ, ВКЛЮЧИТЕЛНО КОСВЕНИ ГАРАНЦИИ ИЛИ УСЛОВИЯ ЗА ТЪРГОВИЯ ИЛИ ПРИГОДНОСТ ЗА ОПРЕДЕЛЕНА ЦЕЛ.

Освен ако не е посочено друго в местното законодателство, продуктите на 3M за защита от падане имат гаранция срещу производствени дефекти в изработката и на материалите за период от една година от датата на монтажа или първата употреба от първоначалния собственик.

ОГРАНИЧЕНИЕ НА ВЪЗСТАНОВЯВАНЕ НА ВРЕДИТЕ: След писмено уведомление до 3M, 3M ще поправи или замени всеки продукт, за който 3M прецени, че има производствен дефект в изработката или на материалите. 3M си запазва правото да изиска връщането на продукт до завод на производителя за оценка на гаранционните претенции. Тази гаранция не покрива повреда на продукта поради износване, злоупотреба, неправилна употреба, повреда при транспорт, неправилна поддръжка на продукта или друга повреда извън контрола на 3M. Само 3M ще взема решение за състоянието на продукт и възможностите за гаранция.

Тази гаранция се прилага само за първоначалния купувач и е единствената приложима гаранция за продукти на 3M за защита от падане. При нужда от помощ, моля, свържете се с отдела за обслужване на клиенти на 3M за Вашия регион.

ОГРАНИЧЕНИЕ НА ОТГОВОРНОСТТА: ДО СТЕПЕНТА, РАЗРЕШЕНА ОТ МЕСТНОТО ЗАКОНОДАТЕЛСТВО, 3M НЕ НОСИ ОТГОВОРНОСТ ЗА НИКАКВИ КОСВЕНИ, СЛУЧАЙНИ, СПЕЦИАЛНИ ИЛИ ПОСЛЕДВАЩИ ПОВРЕДИ, ВКЛЮЧИТЕЛНО, НО БЕЗ ДА СЕ ОГРАНИЧАВА ДО ЗАГУБА НА ПЕЧАЛБИ, СВЪРЗАНИ ПО КАКЪВТО И ДА Е НАЧИН С ПРОДУКТИТЕ, НЕЗАВИСИМО ОТ ПРЕДЯВЕНОТО ПРАВНО ОСНОВАНИЕ.

BG

GLOBÁLNÍ ZÁRUKA NA VÝROBEK, OMEZENÉ OPRAVNÉ PROSTŘEDKY A OMEZENÍ ODPOVĚDNOSTI

ZÁRUKA: NÁSLEDUJÍCÍ ZÁRUKA NAHRAZUJE VEŠKERÉ ZÁRUKY NEBO PODMÍNKY, AŽ JIŽ VÝSLOVNÉ NEBO IMPLICITNÍ, A TO VČETNĚ IMPLICITNÍCH ZÁRUK NEBO PODMÍNEK PRODEJNOSTI NEBO VHODNOSTI PRO DANÝ ÚČEL.

Nestanoví-li místní zákony jinak, vztahuje se tato záruka na výrobky společnosti 3M pro ochranu proti pádu na tovární vady ve zpracování a materiálech po dobu jednoho roku ode dne instalace nebo prvního použití původním majitelem.

OMEZENÉ OPRAVNÉ PROSTŘEDKY: Společnost 3M na základě písemného upozornění poslaného společnosti 3M opraví nebo nahradí jakýkoli výrobek, u něhož společnost 3M sledá tovární vadu ve zpracování nebo materiálech. Společnost 3M si vyhrazuje právo požadovat, aby byl výrobek vrácen do jejího zařízení pro posouzení záručních reklamací. Tato záruka se netýká poškození výrobku z důvodu opotřebení, zneužití, nesprávného použití, poškození při přepravě, neprovádění údržby výrobku nebo jiných škod, které jsou mimo kontrolu společnosti 3M. Společnost 3M bude výhradním posuzovatelem stavu výrobku a možností záruky.

Tato záruka se vztahuje pouze na původního kupujícího a jedná se o jedinou záruku, která se vztahuje na výrobky společnosti 3M pro ochranu proti pádu. Potřebujete-li pomoci, obraťte na oddělení zákaznických služeb společnosti 3M ve svém regionu.

OMEZENÍ ZÁRUKY: V ROZSAHU POVOLENÉM MÍSTNÍMI ZÁKONY NEODPOVÍDÁ SPOLEČNOST 3M ŽÁDNÝM ZPŮSOBEM ZA ŽÁDNÉ NEPŘÍMÉ, NÁHODNÉ, ZVLÁŠTNÍ ČI NÁSLEDNÉ ŠKODY, A TO MIMO JINÉ VČETNĚ UŠLÉHO ZISKU, KTERÉ SE TÝKAJÍ VÝROBKŮ, BEZ OHLEDU NA UPLATNĚNÝ PRÁVNÍ VÝKLAD.

CS

GLOBAL PRODUKTGARANTI, BEGRÆNSEDE RETSMIDLER OG BEGRÆNSNING AF GARANTIFORPLIGTELSE

GARANTI: FØLGENDE ERSTATTER ALLE GARANTIER ELLER BETINGELSER, UDTRYKKELIGE ELLER UNDERFORSTÅEDE, HERUNDER DE UNDERFORSTÅEDE GARANTIER ELLER BETINGELSER FOR SALGBARHED ELLER EGNETHED TIL ET SPECIFIKT FORMÅL.

Bortset fra hvad der sikres ved gældende love, er 3M's produkter til faldsikring omfattet af en garanti mod fabriksdefekter i den håndværksmæssige udførelse og materialer i en periode på et år fra installationsdatoen eller den første ejers ibrugtagningsdato.

BEGRÆNSEDE RETSMIDLER: Ved skriftlig henvendelse til 3M vil 3M reparere eller erstatte ethvert produkt, der af 3M vurderes at have en fabriksdefekt i den håndværksmæssige udførelse eller materialer. 3M forbeholder sig ret til at kræve produktet returneret til dets anlæg for at vurdere krav om garanti. Denne garanti dækker ikke skade på produktet slid, misbrug, forkert brug, transportskade, manglende vedligeholdelse af produktet eller anden skade uden for 3M's kontrol. 3M vil alene fastslå produktets tilstand og mulighederne for garanti.

Denne garanti gælder kun for den oprindelige køber og er den eneste garanti gældende for 3M's produkter til faldsikring. Kontakt venligst 3M's kundeserviceafdeling i dit område for at få hjælp.

BEGRÆNSNING AF GARANTIFORPLIGTELSE: I DEN UDSTRÆKNING DET TILLADES AF LOKALE LOVE ER 3M IKKE ANSVARLIG FOR NOGEN INDIREKTE, TILFÆLDIGE, SPECIELLE ELLER PÅFØLGENDE SKADER, HERUNDER MEN IKKE BEGRÆNSET TIL TAB AF FORTJENESTE, DER PÅ NOGEN MÅDE ER RELATERET TIL PRODUKTERNE UANSET DEN UDLAGTE JURIDISKE TEORI.

DA

GLOBAL PRODUCT WARRANTY

Globale Produktgarantie, Beschränktes Rechtsmittel und Haftungsbeschränkung

GARANTIE: FOLGENDES GILT STELLVERTRETEND FÜR ALLE GARANTIEEN ODER BEDINGUNGEN, EINSCHLIESSLICH STILLSCHWEIGEND ANGENOMMENER GARANTIEEN ODER BEDINGUNGEN HINSICHTLICH DER TAUGLICHKEIT ODER EIGNUNG FÜR EINEN BESTIMMTEN ZWECK.

Soweit gesetzlich nicht anders vorgeschrieben, werden bei 3M-Produkten für die Absturzsicherung werksseitige Mängel bei Verarbeitung und Material für einen Zeitraum von einem Jahr ab dem Datum der Installation oder der erstmaligen Benutzung durch den ursprünglichen Eigentümer garantiert.

BESCHRÄNKTES RECHTSMITTEL: Nach schriftlicher Mitteilung an 3M wird 3M jedes Produkt ersetzen oder austauschen, bei dem durch 3M ein werksseitiger Material- oder Verarbeitungsfehler festgestellt wird. 3M behält sich das Recht vor, die Rücksendung des Produkts an das Werk zur Beurteilung der Garantieansprüche zu verlangen. Unter dieser Garantie sind keine Schäden am Produkt gedeckt, die auf Verschleiß, Missbrauch, Transportschäden, Versäumnis der Instandhaltung des Produkts oder sonstige außerhalb der Kontrolle von 3M liegende Schäden zurückzuführen sind. 3M trifft allein die Entscheidung über Produktzustand und Garantieoptionen.

Diese Garantie gilt ausschließlich für den ursprünglichen Käufer und ist die einzige, die für Absturzsicherungsprodukte von 3M maßgeblich ist. Kontaktieren Sie bitte die Kunden-Service-Abteilung, um Unterstützung zu erhalten.

HAFTUNGSBESCHRÄNKUNG: SOWEIT NACH GELTENDEM RECHT ZULÄSSIG, IST 3M NICHT HAFTBAR FÜR UNMITTELBARE, MITTELBARE, BESONDERE SCHÄDEN ODER FOLGESCHÄDEN JEDER ART, EINSCHLIESSLICH VON VERLUST VON GEWINN, DER IM ZUSAMMENHANG MIT DEN PRODUKTEN ENTSTEHT, UNGEACHTET DER ANGEFÜHRTEN RECHTSTHEORIE.

DE

Παγκόσμια Εγγύηση Προϊόντος, Περιορισμένη Αποκατάσταση και Περιορισμός Ευθύνης

ΕΓΓΥΗΣΗ: ΤΑ ΑΚΟΛΟΥΘΑ ΑΝΤΙΚΑΘΙΣΤΟΥΝ ΟΛΕΣ ΤΙΣ ΕΓΓΥΗΣΕΙΣ Η ΠΡΟΫΠΟΘΕΣΕΙΣ, ΡΗΤΕΣ Η ΣΙΩΠΗΡΕΣ, ΣΥΜΠΕΡΙΛΑΜΒΑΝΟΜΕΝΩΝ ΤΩΝ ΣΙΩΠΗΡΩΝ ΕΓΓΥΗΣΕΩΝ Η ΠΡΟΫΠΟΘΕΣΕΩΝ ΕΜΠΟΡΕΥΣΙΜΟΤΗΤΑΣ Η ΚΑΤΑΛΛΗΛΟΤΗΤΑΣ ΓΙΑ ΣΥΓΚΕΚΡΙΜΕΝΟ ΣΚΟΠΟ.

Εκτός και αν ορίζεται διαφορετικά από την τοπική νομοθεσία, τα προϊόντα προστασίας από πτώση της 3M καλύπτονται από εγγύηση για τυχόν ελαττώματα λόγω κακοτεχνίας και υλικών για χρονική περίοδο ενός έτους από την ημερομηνία της εγκατάστασης ή της πρώτης χρήσης από τον πρώτο ιδιοκτήτη.

ΠΕΡΙΟΡΙΣΜΕΝΗ ΑΠΟΚΑΤΑΣΤΑΣΗ: Κατόπιν γραπτής ειδοποίησης στην 3M, η 3M θα επιδιορθώσει ή θα αντικαταστήσει οποιοδήποτε προϊόν κρίθηκε από την 3M ότι παρουσιάζει εργοστασιακό ελάττωμα λόγω κακοτεχνίας ή υλικών. Η 3M διατηρεί το δικαίωμα να απαιτήσει την επιστροφή του προϊόντος στις εγκαταστάσεις της για αξιολόγηση των αξιώσεων εγγύησης. Αυτή η εγγύηση δεν καλύπτει βλάβες προϊόντων λόγω φθοράς, κατάχρησης, κακής χρήσης, ζημίας κατά τη μεταφορά, αποτυχίας συντήρησης του προϊόντος ή άλλης βλάβης πέραν του ελέγχου της 3M. Η 3M θα αποτελεί τον μοναδικό κριτή της κατάστασης του προϊόντος και των επιλογών εγγύησης.

Αυτή η εγγύηση ισχύει μόνο για τον αρχικό αγοραστή και είναι η μόνη εγγύηση που ισχύει για τα προϊόντα προστασίας από πτώση της 3M. Παρακαλούμε επικοινωνήστε με το τμήμα εξυπηρέτησης πελατών της 3M της περιοχής σας για βοήθεια.

ΠΕΡΙΟΡΙΣΜΟΣ ΤΗΣ ΕΥΘΥΝΗΣ: ΣΤΟΝ ΒΑΘΜΟ ΠΟΥ ΕΠΙΤΡΕΠΕΤΑΙ ΑΠΟ ΤΗΝ ΤΟΠΙΚΗ ΝΟΜΟΘΕΣΙΑ, Η 3M ΔΕΝ ΕΙΝΑΙ ΥΠΕΥΘΥΝΗ ΓΙΑ ΤΥΧΟΝ ΕΜΜΕΣΕΣ, ΑΠΡΟΒΛΕΠΤΕΣ, ΕΙΔΙΚΕΣ Η ΕΠΑΚΟΛΟΥΘΕΣ ΖΗΜΙΕΣ ΠΟΥ ΠΕΡΙΛΑΜΒΑΝΟΥΝ, ΑΛΛΑ ΔΕΝ ΠΕΡΙΟΡΙΖΟΝΤΑΙ ΣΕ ΑΠΩΛΕΙΑ ΚΕΡΔΩΝ ΠΟΥ ΣΧΕΤΙΖΕΤΑΙ ΜΕ ΟΠΟΙΟΝΔΗΠΟΤΕ ΤΡΟΠΟ ΜΕ ΤΑ ΠΡΟΪΟΝΤΑ ΑΣΧΕΤΩΣ ΤΗΣ ΝΟΜΙΚΗΣ ΘΕΩΡΙΑΣ ΠΟΥ ΠΡΟΒΑΛΛΕΤΑΙ.

EL

Garantía Global de Producto, Compensación Limitada y Limitación de Responsabilidad

GARANTÍA: LAS SIGUIENTES DISPOSICIONES PREVALECERÁN SOBRE CUALQUIER GARANTÍA O CONDICIÓN, EXPRESA O IMPLÍCITA, INCLUIDAS LAS CONDICIONES O GARANTÍAS IMPLÍCITAS DE COMERCIABILIDAD O IDONEIDAD PARA UN FIN ESPECÍFICO.

Salvo que la legislación local estipule lo contrario, los productos de protección contra caídas de 3M están garantizados contra defectos de fabricación de mano de obra y materiales durante un periodo de un año a partir de la fecha de instalación o del primer uso por parte del propietario original.

COMPENSACIÓN LIMITADA: Tras recibir comunicación por escrito, 3M reparará o sustituirá los productos que considere que tienen un defecto de fabricación de mano de obra o materiales. 3M se reserva el derecho a solicitar la devolución del producto a sus instalaciones para evaluar las reclamaciones de garantía. Esta garantía no cubre los daños en el producto resultantes de desgaste, mal uso, uso indebido, daños durante el tránsito, mantenimiento inapropiado del producto o daños que escapen al control de 3M. 3M será el único con derecho a determinar el estado del producto y las opciones de garantía.

Esta garantía puede ser utilizada únicamente por el comprador original y es la única que cubre los productos de protección contra caídas de 3M. Si necesita ayuda, póngase en contacto con el departamento de servicios de atención al cliente de 3M.

LIMITACIÓN DE RESPONSABILIDAD: EN LA MEDIDA QUE LO PERMITA LA LEGISLACIÓN LOCAL, 3M NO SE RESPONSABILIZARÁ DE LOS DAÑOS INDIRECTOS, FORTUITOS, ESPECIALES O RESULTANTES, INCLUIDA LA PÉRDIDA DE GANANCIA, RELACIONADOS DE MANERA ALGUNA CON LOS PRODUCTOS, INDEPENDIENTEMENTE DE LOS FUNDAMENTOS LEGALES QUE SE ALEGUEN.

ES

GLOBAL PRODUCT WARRANTY

ÜLEMAAILMNE TOOTEGARANTII, PIIRATUD HEASTAMISVAHENDID JA PIIRATUD VASTUTUS

GARANTII. JÄRGMINE ESITATAKSE IGASUGUSTE OTSESTE VÕI KAUDSETE GARANTIIDE VÕI TINGIMUSTE ASEMELE, SEALHULGAS KAUDSETE GARANTIIDE VÕI TINGIMUSTE ASEMELE MÜÜDAVUSE SUHTES VÕI SOBIVUSE SUHTES TEATAVAKS OTSTARBEKS.

Kui kohalike õigusnormidega ei ole teisi ette nähtud, antakse kukkumiskaitsetoodetele 3M garantii tehases tekkinud teostus- ja materjalidefektide suhtes üheks aastaks alates algse omaniku poolse paigaldamise või esmakordse kasutamise kuupäevast.

PIIRATUD HEASTAMISVAHEND. Pärast kirjaliku teate laekumist 3M-le remondib või vahetab 3M toote, millel on 3M hinnangul tehases tekkinud teostus- või materjalidefekt. 3M jätab endale õiguse nõuda toote tagastamist oma ettevõttele garantiinõuete hindamiseks. See garantii ei hõlma kulumisest, kuritarvitamisest, väärast kasutamisest või transpordi käigus või ebapiisavast hooldusest tekkinud kahjustusi ega muid kahjustusi, mis 3M kontrollile ei allu. 3M-l on ainuotsustusõigus toote seisukorra ja garantiivõimaluste kohta.

See garantii kehtib ainult algsele ostjale ning on ainus kukkumiskaitsetoodetele 3M kohaldatav garantii. Abi saamiseks võtke ühendust 3M-i oma piirkonna klienditeenindusosakonnaga.

PIIRATUD VASTUTUS. KUI SEE ON KOHALIKE ÕIGUSAKTIDEGA LUBATUD, EI VASTUTA 3M TOODETEGA MINGIL VIISIL SEOTUD KAUDSETE, JUHUSLIKE, ERILISTE EGA JÄRELDUSLIKE KAHJUDE EEST, SEALHULGAS KASUMI KAOTAMISE EEST, OLENEMATA VÄIDETAVAST TEOREETILISEST ALUSEST.

ET

GLBAALI TUOTETAKUU, RAJATTU KORVAUS JA VASTUUNRAJOITUS

TAKUU: SEURAAVA ON LAADITU KAIKKIEN SUORIEEN TAI EPÄSUORIEEN TAKUIDEN TAI EHTOJEN SIJAAN, MUKAAN LUKIEN EPÄSUORAT TAKUUT MYNTIKELPOISUUDESTA TAI SOPIVUUDESTA TIETTYYN TARKOITUKSEEN.

Ellei muutoin paikallisissa laeissa säädetä, 3M-putoamisenestotuotteilla on yhden vuoden takuu valmistusvirheitä ja materiaalivirheitä koskien asennuspäivästä tai alkuperäisen käyttäjän ensimmäisestä käyttöpäivästä alkaen.

RAJATTU KORVAUS: Kirjallisella 3M:lle lähetetyllä ilmoituksella 3M korjaa tai vaihtaa kaikki tuotteet, joissa on 3M:n määrittelemä valmistus- tai materiaalivirhe. 3M pidättää oikeuden vaatia tuotetta palautettavaksi tehtaalle takuuvaatimusten arvioimiseksi. Tämä takuu ei kata kulumisesta, tuotteen väärinkäytöstä, kuljetusvahingoista tai tuotteen epäonnistuneesta huollosta aiheutunutta vauriota tai muuta vauriota, johon 3M ei pysty vaikuttamaan. Tuotteen kunnosta ja takuuvaihtoehtoista päätöksen tekee ainoastaan 3M.

Tämä takuu koskee vain alkuperäistä ostajaa, ja sitä sovelletaan ainoastaan 3M:n putoamisenestotuotteisiin. Ota yhteyttä paikalliseen 3M:n asiakaspalveluun saadaksesi apua.

VASTUUNRAJOITUS: PAIKALLISTEN LAKIEN SALLIMISSA MÄÄRIN 3M EI OLE VASTUUSSA MISTÄÄN EPÄSUORASTA, SATTUMANVARAISESTA, ERITYISESTÄ TAI AIHEUTUNEESTA VAHINGOSTA, MUKAAN LUKIEN, MUTTA SIIHEN KUITENKAAN RAJOITTUMATTA, TUOTTOJEN MENETTÄMINEN, MILLÄÄN TAVALLA TUOTTEISIIN LIITTYEN OIKEUSTEORIASTA HUOLIMATTA.

FI

GARANTIE PRODUIT INTERNATIONALE, RECOURS LIMITÉ ET LIMITATION DE LA RESPONSABILITÉ

GARANTIE : LES DISPOSITIONS SUIVANTES SONT PRISES EN LIEU ET PLACE DE TOUTES LES GARANTIES OU CONDITIONS, EXPRESSES OU IMPLICITES, Y COMPRIS LES GARANTIES OU CONDITIONS IMPLICITES DE QUALITÉ MARCHANDE OU D'ADAPTATION À UN USAGE SPÉCIFIQUE.

À moins d'un conflit avec une législation locale, les produits antichute de 3M sont garantis contre les défauts de fabrication en usine et de matériaux pendant une période d'un an à compter de la date d'installation ou de la première utilisation par le propriétaire initial.

RECOURS LIMITÉ : Sur demande écrite à 3M, 3M s'engage à réparer ou remplacer tout produit considéré par 3M comme souffrant d'un défaut de fabrication en usine ou de matériaux. 3M se réserve le droit d'exiger que le produit lui soit retourné pour une évaluation de la réclamation au titre de la garantie. Cette garantie ne couvre pas les dommages du produit liés à l'usure, aux abus, à la mauvaise utilisation, aux dommages liés aux transports, au manque d'entretien du produit ou tout autre dommage indépendant du contrôle de 3M. 3M sera l'unique juge de la condition du produit et des options de la garantie.

Cette garantie ne s'applique qu'au propriétaire initial et elle constitue l'unique garantie s'appliquant aux produits antichute de 3M. Veuillez contacter le service à la clientèle 3M de votre région pour obtenir de l'assistance.

LIMITATION DE LA RESPONSABILITÉ : DANS LES MESURES PERMISES PAR LA LÉGISLATION LOCALE, 3M N'EST PAS RESPONSABLE POUR TOUT DOMMAGE INDIRECT, ACCESSOIRE, SPÉCIFIQUE OU CONSÉCUTIF, Y COMPRIS, MAIS SANS S'Y LIMITER, LA PERTE DE PROFITS, LIÉE DE QUELQUE MANIÈRE QUE CE SOIT AUX PRODUITS, MALGRÉ LA THÉORIE JURIDIQUE REVENDIQUÉE.

FR

GLOBAL PRODUCT WARRANTY

אחריות גלובלית, סעד מוגבל וגבול החבות על המוצר

אחריות: התנאים להלן באים במקום כל אחריות או תנאי שנעשו, בין אם במפורש או במרומז, לרבות כל אחריות מרומזת או תנאים של סחירות או התאמה למטרה מסוימת.

אם הוראות החוקים מקומיים אינם סותרים זאת, על מוצרי 3M להגנה בפני נפילה חלה אחריות על פגמי ייצור בעבודה ובחומרים לתקופה של שנה אחת מיום ההתקנה או השימוש הראשון על ידי הרוכש המקורי.

סעד מוגבל: עם קבלת הודעה בכתב מופנית ל-3M, 3M תתקן או תחליף כל מוצר שעל פי החלטת 3M יש בו פגם ייצור בעבודה או בחומרים. 3M שומרת לעצמה זכות לדרוש את החזרת המוצר למתקן שלה לצורך הערכת תביעות אחריות. אחריות זאת אינה מכסה נזקים למוצר בגין בלאי, שימוש לרעה, שימוש בלתי הולם, נזקים במעבר, אי-מתן תחזוקה למוצר או כל נזק אחר שמעבר לשליטת 3M. ל-3M תהיה זכות החלטה בלעדית בנוגע למצב המוצר ולחלופות האחריות.

אחריות זאת חלה רק על הרוכש המקורי והיא מהווה האחריות הבלעדית החלה על מוצרי 3M להגנה בפני נפילה. לקבלת סיוע נא להתקשר למחלקת שירות לקוחות של 3M באזור מגוריך.

גבול החבות: עד לשיעור המותר על פי החוקים המקומיים, על 3M לא תחול שום חבות בגין נזק ישיר, אגבי, מיוחד או תוצאתי כלשהו, כולל אך ללא הגבלה, לגבי אבדן רווחים בכל אופן שהוא בקשר למוצרים, ללא תלות בתורת המשפט שנטען לתחולתה.

HE

GLOBALNO JAMSTVO ZA PROIZVOD, OGRANIČENJE OBEŠTEČENJA I OGRANIČENJE ODGOVORNOSTI

JAMSTVO: SLJEDEĆA IZJAVA O JAMSTVU MIJENJA SVA DRUGA JAMSTVA ILI ODREDBE, IZRIČITE ILI PREŠUTNE, UKLJUČUJUĆI PREŠUTNA JAMSTVA ILI ODREDBE VEZANE UZ MOGUĆNOST PRODAJE ILI PRIKLADNOST ZA ODREĐENU NAMJENU.

Osim ako nije drugačije propisano važećim zakonima, za proizvode za zaštitu od pada tvrtke 3M daje se jamstvo u pogledu nepostojanja tvorničke pogreške u izradi ili materijalima, u trajanju od jedne godine od datuma prvog postavljanja ili prve uporabe od strane izvornog vlasnika.

OGRANIČENO OBEŠTEČENJE: Po prijemu pismene obavijesti, tvrtka 3M će popraviti ili zamijeniti proizvod za koji tvrtka 3M utvrdi postojanje tvorničke pogreške u izradi ili materijalima. Tvrtka 3M pridržava pravo zahtijevati povrat proizvoda u njezin pogon u svrhu procjene valjanosti jamstvenog zahtjeva. Ovim jamstvom nisu obuhvaćena oštećenja proizvoda uslijed trošenja, zlouporabe, nepravilne uporabe, oštećenja u transportu, neodržavanja te drugih oštećenja izvan kontrole tvrtke 3M. Tvrtka 3M ima isključivo pravo ocjenjivanja stanja proizvoda i jamstvenih opcija.

Ovo se jamstvo odnosi samo na izvornog kupca i jedino je jamstvo primjenjivo za proizvode za zaštitu od pada tvrtke 3M. Za pomoć, obratite se Službi za korisnike tvrtke 3M na vašem području.

OGRANIČENJE ODGOVORNOSTI: U NAJVEĆEM ZAKONOM DOPUŠTENOM OPSEGU, TVRTKA 3M NE SNOSI ODGOVORNOST ZA BILO KAKVE NEIZRAVNE, SLUČAJNE, POSEBNE ILI POSLJEDIČNE ŠTETE UKLJUČUJUĆI, BEZ OGRANIČENJA, GUBITAK PROFITA, VEZANE UZ PROIZVOD, NEOVISNO O MJERODAVNOM PRAVU.

HR

GLOBALIS TERMÉKGARANCIA, KORLÁTOZOTT JÓTÁLLÁS ÉS A FELELŐSSÉG KORLÁTOZÁSA

GARANCIA: EZ A GARANCIA MINDEN KIFEJEZETT VAGY VÉLELMEZETT GARANCIA VAGY FELTÉTEL HELYÉBE LÉP, BELEÉRTVE AZ ELADHATÓSÁGRA ÉS EGY MEGHATÁROZOTT CÉLRA VALÓ ALKALMASSÁGRA VONATKOZÓ VÉLELMEZETT GARANCIÁT VAGY FELTÉTelt IS.

Hacsak a helyi jogszabályok másként nem rendelkeznek, a 3M zuhanásgátló termékekre 1 év garanciát biztosítanak anyagi és gyártási hibák esetén, a termékek felszerelésének dátumától vagy az eredeti tulajdonos első használatának napjától számítva.

KORLÁTOZOTT JÓTÁLLÁS: A 3M írásos értesítésével, a 3M bármely, a 3M által megállapított anyagi és gyártási hibával rendelkező termék javítására vagy cseréjére kötelezi magát. A 3M fenntartja a jogot arra, hogy igényelje a termék visszajuttatását annak gyártási helyére a garanciaigény értékelésének céljából. A garancia nem terjed ki a termék kopására vagy nem megfelelő használatra, a szállítási sérülésekre, a fenntartási hiányosságokra vagy egyéb, a 3M-nek nem felróható okok miatt fellépő meghibásodásokra. A 3M saját maga dönti el termék állapotát és garanciális lehetőségeit.

Ez a garancia kizárólag az eredeti vásárlóra terjed ki és a 3M zuhanásgátló termékeire ez az egyetlen érvényben lévő garancia. Támogatásért forduljon a 3M regionális ügyfélszolgálati részlegéhez.

A FELELŐSSÉG KORLÁTOZÁSA: A 3M NEM FELEL SEMMILYEN KÖZVETETT, VÉLETLEN, SPECIÁLIS VAGY KÖVETKEZMÉNYI KÁRÉRT, BELEÉRTVE, DE NEM KIZÁRÓLAG, A PROFITVESZTÉSBŐL SZÁRMAZÓ KÁROKAT, A JOGSZABÁLYOK ÁLTAL BIZTOSÍTOTT KERETEKEN BELÜL A JOGELMÉLETRE VALÓ TEKINTET NÉLKÜL.

HU

GLOBAL PRODUCT WARRANTY

PASAULINĖ GAMINIO GARANTIJA, RIBOTOJI KOMPENSACIJA IR ATSAKOMYBĖS APRIBOJIMAS

GARANTIJA ŠIOMIS NUOSTATOMIS PAKEIČIAMOS VISOS IŠREIKŠTOS ARBA NUMANOMOS GARANTIJOS AR SĄLYGOS, ĮSKAITANT NUMANOMAS GARANTIJAS AR SĄLYGAS DĖL PERKAMUMO AR TINKAMUMO KONKREČIAM TIKSLUI.

Jeigu kitaip nenumatyta vietos teisės aktais, „3M“ apsaugos nuo kritimo gaminiams vienu metų laikotarpiui nuo įrengimo arba pirmojo pradinio savininko panaudojimo datos taikoma garantija dėl gamybos ir medžiagų defektų.

RIBOTOJI KOMPENSACIJA Gavusi rašytinį pranešimą „3M“ pataisys arba pakeis bet kokį gaminį, kurį nustatys turėjus gamybos arba medžiagų defektų. „3M“ pasilieka teisę reikalauti, kad gaminys būtų gražintas į jos gamyklą garantinėms pretenzijoms įvertinti. Ši garantija netaikoma gaminio pažeidimui dėl dėvėjimosi, netinkamo naudojimo, apgadavimo vežant, gaminio nepriežiūros ar kitų pažeidimų, kurie nuo „3M“ nepriklauso. Tik pati „3M“ įvertins gaminio būklę ir parinks garantijos variantą.

Ši garantija skirta tik pradiniam pirkėjui ir yra vienintelė garantija, taikoma „3M“ apsaugos nuo kritimo gaminiams. Pagalbos kreipkitės į savo regiono „3M“ klientų aptarnavimo skyrių.

ATSAKOMYBĖS APRIBOJIMAS TIEK, KIEK LEIDŽIAMA VIETOS TEISĖS AKTAIS, „3M“ NĖRA ATSAKINGA UŽ JOKIĄ SU GAMINIU KAIP NORŠ SUSIJUSIĄ NETIESIOGINĘ, ATSTITIKINĘ, SPECIALIĄJĄ ARBA PASEKMINĘ ŽALĄ, ĮSKAITANT, BE APRIBOJIMŲ, PELNO NETEKIMĄ, NESVARBU, KOKIA TEISĖS TEORIJA BŪTŲ TAIKOMA.

LT

GLOBALĀ PRECES GARANTĪJA, IEROBEŽOTA RĪCĪBA UN ATBILDĪBAS IEROBEŽOJUMI

GARANTĪJA: TĀLĀKAIS AIZVIETO VISAS GARANTĪJAS VAI NOTEIKUMUS, SKAIDRI IZTEIKTUS VAI DOMĀJAMUS, IESKAITOT DOMĀJAMĀS GARANTĪJAS VAI NOTEIKUMUS PAR ATBILSTĪBU TIRDZNIECĪBAI VAI PIEMĒROTĪBAI NOTEIKTAM NOLŪKAM.

Ja nav citādi noteikts vietējos likumos, 3M kritiena aizsardzības izstrādājumi ir garantēti pret rūpnīcas defektiem ražošanā un materiālos viena gada laikā no brīža, kad tos uzstādījās vai pirmoreiz lietojis oriģinālais pircējs.

IEROBEŽOTA RĪCĪBA: pēc rakstiska iesnieguma 3M, 3M salabos vai aizvietos jebkuru preci, ko 3M būs noteicis kā esošu ar rūpnīcas defektu ražošanā vai materiālos. 3M saglabā tiesības pieprasīt izstrādājuma nosūtīšanu uz tās iestādi garantijas prasību novērtēšanai. Šī garantija nesedz izstrādājuma bojājumu no nolietojuma, nepareizas lietošanas, apzināti nepareizas lietošanas, bojājuma pārsūtīšanā, nespējas apkopt izstrādājumu vai cita bojājuma, ko 3M nespēj kontrolēt. 3M pats būs vienīgais spriedējs par izstrādājuma stāvokli un garantijas iespējām.

Šī garantija attiecas tikai uz oriģinālo pircēju un ir vieniģā garantija, kas piemērojama 3M kritiena aizsardzības izstrādājumiem. Lūdzu, sazinieties ar 3M klientu apkalpošanas dienestu savā reģionā, lai saņemtu palīdzību.

ATBILDĪBAS IEROBEŽOJUMI: TAJĀ APJOMĀ, KĀDĀ TO ATĻAUJ VIETĒJIE LIKUMI, 3M NAV ATBILDĪGS PAR JEBKĀDU NETIEŠU, GADĪJUMA RAKSTURA, ĪPAŠU VAI IZRIETOŠU ZAUDĒJUMU, IESKAITOT, BET NEAPROBEŽOJOTIES AR PELŅAS ZAUDĒJUMU, JEBKĀDĀ VEIDĀ SAISTĪTU AR IZSTRĀDĀJUMIEM, NESKATOTIES UZ IZVIRZĪTO JURIDISKO TEORIJU.

LV

GARANZIJA GLOBALI TAL-PRODOTT, RIMEDJU LIMITAT U LIMITAZZJONI TAR-RESPONSABBILTÀ

GARANZIJA: DAN LI ĠEJ JIEHU POST KULL GARANZIJA JEW KUNDIZZJONI, ESPLICITA JEW IMPLICITA, INKLUŽI L-GARANZIJI JEW KUNDIZZJONIJIET IMPLICITI TAL-KUMMERĊJABBILTÀ JEW L-IDONEITÀ GĦAL SKOP PARTIKOLARI.

Sakemm ma jkunx previst mod ieħor mil-liġijiet lokali, il-prodotti ta' protezzjoni kontra waqgħa mill-gholi ta' 3M għandhom garanzija rigward difetti tall-fabbrika u manifattura u fil-materjali għal perjodu ta' sena waħda mid-data tal-installazzjoni jew l-ewwel użu mis-sid originali.

RIMEDJU LIMITAT: Fuq avviż bil-miktub lil 3M, 3M se ssewwi jew tissostitwixxi kwalunkwe prodott li jiġi determinat minn 3M li għandu difett tall-fabbrika u manifattura jew fil-materjali. 3M tirsirva d-dritt li teħtieġ li l-prodott jiġi rritornat fil-facilità tagħha biex jiġu evalwati l-pretensjonijiet tal-garanzija. Din il-garanzija ma tkoprix ħsara lill-prodott minħabba użu, abbuż, użu ħażin, ħsara li saret waqt it-trasport, nuqqas li ssir manutenzjoni tal-prodott jew ħsara oħra li mhix fil-kontroll ta' 3M. 3M biss se tiġġudika l-kundizzjoni tal-prodott u l-għażliet tal-garanzija.

Din il-garanzija tapplika biss għax-xerrej originali u hija l-unika garanzija applikabbli għall-prodotti ta' protezzjoni kontra waqgħa mill-gholi ta' 3M. Jekk jogħġbok ikkuntattja lid-dipartiment tas-servizz tal-konsumatur ta' 3M fir-reġjun tiegħek għall-għajjnuna.

LIMITAZZJONI TAR-RESPONSABBILTÀ: SAL-ESTENT PERMESS MIL-LIĠIJET LOKALI, 3M MHIX RESPONSABBLI GĦAL KWALUNKWE ĦSARA INDIRECTA, INCIDENTALI, SPECJALI JEW KONSEGWENZJALI INKLUŽ, IMMA MHUX LIMITATA GĦAL TELF TA' QLIGH, RELATAT BI KWALUNKWE MOD MAL-PRODOTTI IRRISPETTIVAMENT MIT-TEORIJA LEGALI AFFERMATA.

MT

GLOBAL PRODUCT WARRANTY

WERELDWIJDE PRODUCTGARANTIE, BEPERKTE VERHAALSMOGELIJKHEID EN BEPERKING VAN AANSPRAKELIJKHEID

GARANTIE: DE VOLGENDE BEPALING VERVANGT ALLE GARANTIES OF VOORWAARDEN, EXPLICIET OF IMPLICIET, INCLUSIEF DE IMPLICIETE GARANTIES OF VOORWAARDEN VAN VERKOOPBAARHEID OF GESCHIKTHEID VOOR EEN BEPAALD DOEL.

Tenzij anders is bepaald door lokale wetgeving, zijn valbeschermingsproducten van 3M voorzien van een garantie op fabrieksfouten door fabricage- en materiaalgebreken gedurende een periode van één jaar na de datum van installatie of het eerste gebruik door de oorspronkelijke eigenaar.

BEPERKTE VERHAALSMOGELIJKHEID: Na schriftelijke kennisgeving aan 3M zal 3M eender welk product repareren of vervangen waarvan 3M heeft vastgesteld dat het een fabrieksfout heeft door een fabricage- of materiaalgebrek. 3M behoudt zich het recht voor om te eisen dat het product naar zijn vestiging wordt geretourneerd om garantieaanspraken te beoordelen. Deze garantie is niet van toepassing op productschade door slijtage, oneigenlijk gebruik, misbruik, transportschade, nalatigheid bij onderhoud van het product of andere schade waarover 3M geen controle heeft. 3M zal als enige oordelen over de toestand van het product en garantieopties.

Deze garantie is alleen van toepassing op de oorspronkelijke koper en is de enige garantie die van toepassing is op valbeschermingsproducten van 3M. Neem contact op met de klantendienst van 3M voor uw regio als u assistentie wenst.

BEPERKING VAN AANSPRAKELIJKHEID: VOOR ZOVER TOEGESTAAN DOOR LOKALE WETGEVING, IS 3M NIET AANSPRAKELIJK VOOR ENIGE INDIRECTE, INCIDENTELE, SPECIALE OF GEVOLGSCHADE, INCLUSIEF, MAAR NIET BEPERKT TOT, WINSTVERLIES, DIE OP ENIGE WIJZE VERBAND HOUDT MET DE PRODUCTEN, ONGEACHT DE RECHTSLEER DIE WORDT AANGEHAALD.

NL

GLOBAL PRODUKTGARANTI, BEGRENSET AVHJELP OG BEGRENSNING AV ERSTATNINGSANSVAR

GARANTI: DET FØLGENDE KOMMER I STEDET FOR ALLE GARANTIER ELLER VILKÅR, UTTRYKKELIGE ELLER UNDERFORSTÅTTE, INKLUDERT DE UNDERFORSTÅTTE GARANTIENE ELLER VILKÅRENE OM SALGBARHET ELLER EGNETHET FOR ET BESTEMT FORMÅL.

Med mindre annet er bestemt av lokale lover, er 3Ms fallsikringsprodukter garantert mot fabrikasjonsfeil i håndverksmessig utførelse og materialer for en periode på ett år fra installasjonsdatoen eller første bruk av den opprinnelige eieren.

BEGRENSET AVHJELP: Ved skriftlig melding til 3M, vil 3M reparere eller erstatte ethvert produkt som av 3M fastslås å ha en fabrikasjonsfeil i håndverksmessig utførelse eller materialer. 3M forbeholder seg retten til å kreve at produktet blir levert tilbake til fabrikk for evaluering av garantikrav. Denne garantien dekker ikke produktskade grunnet slitasje, misbruk, skade i transitt, unnlattelse av å vedlikeholde produktet eller annen skade utenfor 3Ms kontroll. 3M vil være den eneste til å bedømme produktvilkår og garantialternativer.

Denne garantien gjelder kun den opprinnelige kjøperen og er den eneste garantien som er anvendelig for 3Ms fallsikringsprodukter. Vennligst kontakt 3Ms kundeserviceavdeling i ditt område for hjelp.

BEGRENSNING AV ERSTATNINGSANSVAR: I DEN UTSTREKNING DET ER TILLATT AV LOKALE LOVER, ER IKKE 3M ERSTATNINGSANSVARLIG FOR NOEN SOM HELST INDIRECTE, HENDELIGE, SPESIELLE ELLER FØLGEMESSIGE SKADER INKLUDERT, MEN IKKE BEGRENSET TIL TAP AV FORTJENESTE, PÅ NOEN SOM HELST MÅTE FORBUNDET MED PRODUKTENE, UAVHENGIG AV HVILKEN JURIDISK TEORI SOM PÅBEROPES.

NO

GLOBALNA GWARANCJA NA PRODUKTY, OGRANICZONE ROZWIĄZANIE I OGRANICZENIE ODPOWIEDZIALNOŚCI

GWARANCJA: PONIŻSZE POSTANOWIENIA ZASTĘPUJĄ WSZYSTKIE GWARANCJE LUB WARUNKI, WYRAŻNE LUB DOMNIEMANE, W TYM DOMNIEMANE GWARANCJE LUB WARUNKI SPRZEDAŻY LUB PRZYDATNOŚCI DO OKREŚLONEGO CELU.

O ile lokalne prawo nie przewiduje inaczej, produkty 3M służące do ochrony przed upadkiem są objęte gwarancją na wady fabryczne, w tym wady materiałowe i wykonawcze przez okres jednego roku od daty ich montażu lub pierwszego użycia przez pierwotnego właściciela.

OGRANICZONE ROZWIĄZANIE: Po pisemnym powiadomieniu 3M, 3M naprawi lub wymieni produkt uznany przez 3M za wadliwy w zakresie wykonawstwa lub zastosowanych materiałów. 3M zastrzeżę sobie prawo do zażądania zwrotu produktu do swojego obiektu w celu oceny roszczenia gwarancyjnego. Niniejsza gwarancja nie obejmuje uszkodzeń produktu wynikających ze zużycia, niewłaściwego użytkowania, uszkodzenia w transporcie, braku właściwej konserwacji produktu lub innych uszkodzeń będących poza kontrolą firmy 3M. 3M będzie jedyną stroną oceniającą stan produktu oraz możliwe opcje gwarancyjne.

Niniejsza gwarancja obejmuje wyłącznie pierwszego nabywcę i jest to jedyna gwarancja na produkty 3M służące do ochrony przed upadkiem. W celu uzyskania pomocy prosimy o kontakt z działem obsługi klienta firmy 3M w Państwa regionie.

OGRANICZENIE ODPOWIEDZIALNOŚCI: W ZAKRESIE DOZWOLONYM PRZEZ LOKALNE PRAWO, 3M NIE PONOSI ODPOWIEDZIALNOŚCI ZA JAKIEKOLWIEK POŚREDNIE, PRZYPADKOWE, NADZWYCZAJNE LUB WYNIKOWE SZKODY, W TYM, LECZ NIE WYŁĄCZNIE, UTRATY ZYSKÓW, W JAKIKOLWIEK SPOSÓB ZWIĄZANE Z PRODUKTEM, NIEZALEŻNIE OD PRZEDSTAWIONEJ PODSTAWY PRAWNEJ.

PL

GLOBAL PRODUCT WARRANTY

GARANTIA GLOBAL DO PRODUTO, REPARAÇÃO LIMITADA E LIMITAÇÃO DE RESPONSABILIDADE

GARANTIA: A SEGUINTE É FEITA EM LUGAR DE TODAS AS GARANTIAS OU CONDIÇÕES, EXPRESSAS OU IMPLÍCITAS, INCLUINDO AS GARANTIAS OU CONDIÇÕES DE COMERCIALIZAÇÃO OU ADEQUAÇÃO A UM DETERMINADO FIM.

Salvo disposição em contrário pelas leis locais, os produtos de proteção contra quedas da 3M têm garantia contra defeitos de fábrica, quer no fabrico, quer nos materiais, por um período de um ano, a partir da data de instalação ou da primeira utilização pelo proprietário original.

REPARAÇÃO LIMITADA: Após a notificação por escrito à 3M, a 3M irá reparar ou substituir qualquer produto que a 3M determinar ter um defeito de fábrica no fabrico ou nos materiais. A 3M reserva-se o direito de exigir que o produto seja devolvido às suas instalações para avaliação das solicitações de garantia. Esta garantia não cobre danos ao produto devidos ao desgaste, abuso, mau uso, danos durante o transporte, falha na manutenção do produto ou outros danos fora do controlo da 3M. A 3M será o único juiz da condição do produto e opções de garantia.

Esta garantia aplica-se somente ao comprador original e é a única garantia aplicável aos produtos de proteção contra quedas da 3M. Entre em contacto com o departamento de atendimento ao cliente da 3M na sua área para obter assistência.

LIMITAÇÃO DE RESPONSABILIDADE: NA MEDIDA DO PERMITIDO PELAS LEIS LOCAIS, A 3M NÃO SE RESPONSABILIZA POR QUAISQUER DANOS INDIRETOS, INCIDENTAIS, ESPECIAIS OU CONSEQUENTES, INCLUINDO, MAS NÃO SE LIMITANDO À PERDA DE LUCROS DE ALGUMA FORMA RELACIONADA COM OS PRODUTOS, INDEPENDENTEMENTE DA BASE LEGAL INVOCADA.

PT

GARANȚIA GLOBALĂ APLICABILĂ PRODUSELOR, MĂSURI REPARATORII LIMITATE ȘI LIMITAREA RĂSPUNDERII

GARANȚIE: URMĂTOAREA GARANȚIE ÎNLOCUIEȘTE TOATE GARANȚIILE ȘI CONDIȚIILE, EXPRESE SAU IMPLICITE, INCLUSIV GARANȚIILE IMPLICITE SAU CONDIȚIILE DE VANDABILITATE SAU DE ADECVARE PENTRU UN ANUMIT SCOP.

Numai dacă nu se prevede altfel prin legislația aplicabilă, produsele 3M de protecție împotriva căderii sunt garantate în caz de defecte de fabricație, cauzate de manoperă sau de materiale, pe o perioadă de timp de un an de la data instalării sau a primei utilizări de către proprietarul original.

MĂSURI REPARATORII LIMITATE: La notificarea scrisă transmisă către 3M, 3M va repara sau va înlocui orice produs despre care 3M stabilește că prezintă un defect de fabricație, cauzat de manoperă sau de materiale. 3M își rezervă dreptul de a solicita ca produsul să fie returnat la unitatea sa, în vederea evaluării cererii de aplicare a garanției. Această garanție nu acoperă deteriorarea produselor cauzată de uzură, de utilizare abuzivă sau inadecvată, de avariere în tranzit, de faptul că produsul nu a fost supus operațiunilor de mentenanță sau alte deteriorări ce ies din sfera de control a 3M. 3M va fi singurul care va aprecia starea produsului și opțiunile de garanție.

Această garanție i se aplică numai cumpărătorului original și este singura garanție aplicabilă produselor 3M de protecție împotriva căderii. Pentru asistență, vă rugăm să apelați departamentul 3M de Asistență clienți din regiunea dvs.

LIMITAREA RĂSPUNDERII: ÎN MĂSURA PERMISĂ PRIN LEGISLAȚIA LOCALĂ, 3M NU RĂSPUNDE PENTRU NICIUN FEL DE DAUNE INDIRECTE, INCIDENTALE, SPECIALE SAU APĂRUTE PE CALE DE CONSECINȚĂ, CEEA CE INCLUDE, FĂRĂ ÎNSĂ A SE LIMITA LA PIERDEREA PROFITULUI, LEGATE ÎN ORICE MOD DE PRODUSE, INDIFERENT DE LEGISLAȚIA APLICABILĂ.

RO

GLOBÁLNA ZÁRUKA NA PRODUKTY, OBMEDZENÁ NÁPRAVA A OBMEDZENIE ZODPOVEDNOSTI

ZÁRUKA: NASLEDUJÚCA ZÁRUKA NAHRÁDZA VŠETKY VÝSLOVNÉ ALEBO IMPLIKOVANÉ ZÁRUKY A PODMIENKY VRÁTANE IMPLIKOVANÝCH ZÁRUK A PODMIENOK PREDAJNOSTI ALEBO VHODNOSTI NA KONKRÉTNY ÚČEL.

Pokiaľ miestne právne predpisy neurčujú inak, na ochranné prostriedky proti pádu od spoločnosti 3M sa vzťahuje záruka na chyby spracovania a materiálov z výroby po dobu jedného roka od dátumu montáže alebo prvého použitia pôvodným vlastníkom.

OBMEDZENÁ NÁPRAVA: Na základe písomného oznámenia odoslaného spoločnosti 3M zaistí spoločnosť 3M opravu alebo výmenu akéhokoľvek produktu, ktorý uzná za chybný z výroby v súvislosti so spracovaním alebo materiálmi. Spoločnosť 3M si vyhradzuje právo požadovať vrátenie produktu do závodu na posúdenie nárokov na záručné krytie. Táto záruka nepokrýva poškodenie produktov spôsobené opotrebovaním, zneužívaním, nesprávnym používaním, prevozom, nevykonávaním údržby produktu či iné poškodenie mimo dosahu kontroly spoločnosti 3M. Spoločnosť 3M bude výhradným posudzovateľom stavu produktu a možností záruky.

Táto záruka sa vzťahuje iba na pôvodného nákupcu a ide o jedinú záruku, ktorú možno uplatniť na ochranné prostriedky proti pádu od spoločnosti 3M. Požiadajte o pomoc oblasť oddelenie služieb zákazníkom spoločnosti 3M.

OBMEDZENIE ZODPOVEDNOSTI: SPOLOČNOSŤ 3M NENESIE V ROZSAHU POVOLENOM MIESTNYMI PRÁVNymi PREDPISMI ZODPOVEDNOSŤ ZA ŽIADNE NEPRIAME, NÁHODNÉ, MIMORIADNE ANI NÁSLEDNÉ ŠKODY OKREM INÉHO VRÁTANE UŠLÝCH ZISKOV AKOKOLVEK SÚVISIACE S PRODUKTMI, A TO BEZ OHĽADU NA PRESADZOVANÚ PRÁVNÚ TEÓRIU.

SK

GLOBAL PRODUCT WARRANTY

GLOBALNA GARANCIJA ZA IZDELEK, OMEJENA PRAVNA SREDSTVA IN OMEJITEV ODGOVORNOSTI

GARANCIJA: DOKUMENT V NADALJEVANJU NADOMEŠČA VSAKRŠNE GARANCIJE ALI POGOJE, IZRECNE ALI IMPLICITNE, VKLJUČNO Z IMPLICITNIMI GARANCIJAMI IN POGOJI O PRIMERNOSTI ZA PRODAJO IN USTREZNOSTI ZA DOLOČEN NAMEN.

Če ni drugače določeno z lokalno zakonodajo, so izdelki za zaščito pred padcem 3M predmet garancije, ki pokriva tovarniške napake v izdelavi in materialih, ki velja za obdobje enega leta od datuma namestitve ali prve uporabe s strani dejanskega lastnika.

OMEJITEV PRAVNIH SREDSTEV: Družba 3M bo na podlagi prejetega pisnega obvestila popravila ali zamenjala kateri koli izdelek, pri katerem družba 3M ugotovi napako v izdelavi ali materialih. Družba 3M si pridržuje pravico zahtevati vračilo izdelka v tovarniški obrat za namen ocene zahtevka iz naslova garancije. Ta garancija ne zajema škode na izdelku zaradi obrabe, zlorabe, napačne uporabe, škode, ki nastane med prevozom ali zaradi pomanjkljivega vzdrževanja izdelka oziroma druge škode, na katero družba 3M nima vpliva. Le družba 3M lahko oceni stanje izdelka in možnosti iz naslova garancije.

Ta garancija velja le za dejanskega kupca in je edina veljavna garancija za izdelke za zaščito pred padcem 3M. Za pomoč se obrnite na oddelek za pomoč kupcem družbe 3M v svoji regiji.

OMEJITEV ODGOVORNOSTI: V OBSEGU, KI GA DOLOČA LOKALNA ZAKONODAJA, DRUŽBA 3M NE ODGOVARJA ZA MOREBITNO POSREDNO, NAKLJUČNO, POSEBNO ALI POSLEDIČNO ŠKODO, KAR MED DRUGIM VKLJUČUJE IZGUBO DOBIČKA, KI JE NA KAKRŠEN KOLI NAČIN POVEZAN Z IZDELKI, NE GLEDE NA PRAVNO TEORIJU UTEMELJITVE ZAHTEVKA.

SL

GLOBALNA GARANCIJA PROIZVODA, OGRANIČEN PRAVNI LEK I OGRANIČENA ODGOVORNOST

GARANCIJA: NAVEDENA GARANCIJA JE ZAMENA ZA SVE GARANCIJE ILI USLOVE, BILO IZRIČITE ILI IMPLICITNE, UKLJUČUJUČI IMPLICITNA JEMSTVA ILI USLOVE PRODAJE ILI POGODNOST ZA ODREĐENU NAMENU.

Ukoliko nije drugačije propisano lokalnim zakonima, garancija kompanije 3M koja se odnosi na zaštitnu opremu obuhvata fabričke greške u materijalu ili prilikom izrade u periodu od jedne godine od datuma montiranja ili početka korišćenja opreme od strane prvog vlasnika, odnosno korisnika.

OGRANIČEN PRAVNI LEK: Nakon pismenog obraćanja kompaniji 3M, kompanija na sebe preuzima odgovornost da popravi ili zameni bilo koji proizvod za koji ustanovi da ima fabričku grešku u izradi ili materijalu. Kompanija 3M zadržava pravo da zahteva povraćaj proizvoda da bi izvršila procenu i utvrdila da li garancija važi za navedeni zahtev. Ova garancija ne obuhvata oštećenja proizvoda nastala habanjem, zloupotrebom, pogrešnom upotrebom, oštećenjima prilikom transportovanja, izostankom pravilnog održavanja ili drugih kvarova ili oštećenja nad kojima kompanija 3M nema kontrolu. Pravo je kompanije 3M da proceni u kakvom stanju se proizvod nalazi i da li garancija obuhvata navedena oštećenja.

Ova garancija važi samo za prvog kupca i to je jedina garancija koja važi za zaštitnu opremu koju proizvodi kompanija 3M. Ukoliko imate pitanja, obratite se korisničkoj službi kompanije 3M u svom regionu.

OGRANIČENJE ODGOVORNOSTI: U MERI U KOJOJ DOZVOLJAVAJU LOKALNI ZAKONI, KOMPANIJA 3M NIJE ODGOVORNA ZA BILO KAKVE INDIREKTNE, SLUČAJNE, POSEBNE ILI POSLEDIČNE ŠTETE UKLJUČUJUČI, BEZ OGRANIČENJA, GUBITAK PROFITA KOJI JE NA BILO KOJI NAČIN POVEZAN SA PROIZVODIMA BEZ OBZIRA NA PRAVNU OSNOVU.

SR

GLOBAL PRODUKTGARANTI, BEGRÄNSAD KOMPENSATION OCH BEGRÄNSAD ANSVARSSKYLDIGHET

GARANTI: FÖLJANDE GÄLLER SOM ERSÄTTNING FÖR ALLA GARANTIER ELLER VILLKOR, UTTRYCKLIGA ELLER UNDERFÖRSTÅDDA, INKLUSIVE UNDERFÖRSTÅDDA GARANTIER ELLER VILLKOR FÖR SÄLJBARHET ELLER LÄMPLIGHET FÖR ETT VISST ÄNDAMÅL.

Såvida inte annat stipuleras i lokala lagar, garanteras 3M:s fallskyddsprodukter mot fabriktionsfel avseende tillverkning och material under en period av ett år från datum för ursprunglig ägares installation eller första användning.

BEGRÄNSAD KOMPENSATION: Efter skriftlig avisering till 3M, kommer 3M att reparera eller byta ut varje produkt, som av 3M fastställts vara behäftad med fabriktionsfel vad gäller tillverkning eller material. 3M förbehåller sig rätten att kräva att produkt returneras till företagets anläggning för utvärdering av garantianspråk. Denna garanti omfattar inte produktskada till följd av slitage, felaktig användning, missbruk, skada under transport, underlåtenhet att sköta produkten eller annan skada utom 3M:s kontroll. 3M är ensam bedömare av produktskick och garantialternativ.

Denna garanti avser enbart den ursprunglige köparen och är den enda garanti som gäller för 3M:s fallskyddsprodukter. Kontakta 3M:s kundtjänst avdelning i din region för assistans.

BEGRÄNSNING AV ANSVARSSKYLDIGHET: I DEN OMFATTNING SOM TILLÅTS AV LOKALA LAGAR, ANSVARAR 3M INTE FÖR NÅGRA INDIREKTA, OFÖRUTSEDDA, SPECIELLA ELLER FÖLJDSKADOR, INKLUSIVE MEN INTE BEGRÄNSAT TILL FÖRLUST AV VINSTER, VILKA PÅ NÅGOT SÄTT HÄNFÖRTS TILL PRODUKTERNA, OAVSETT HÄVDAD RÄTTSLIG GRUND.

SV

GLOBAL PRODUCT WARRANTY

KÜRESEL ÜRÜN GARANTİSİ, SINIRLI BAŞVURU YOLU VE SORUMLULUK SINIRLAMASI

GARANTİ: AŞAĞIDAKİLER, ZİMNİ TİCARETE ELVERİŞLİLİK VEYA BELLİ BİR AMACA UYGUNLUK GARANTİ VE KOŞULLARI DA DÂHİL OLMAK ÜZERE, AÇIK VEYA ZİMNİ HER TÜRLÜ GARANTİ VE KOŞULUN YERİNİ ALMAKTADIR.

Yerel yasalar aksini belirtmediği müddetçe, 3M düşme koruması ürünleri montaj tarihi veya orijinal sahibin ilk kullanım tarihinden itibaren bir yıl süreyle işçilik ve malzeme yönünden fabrika kusurlarına karşı garantilidir.

SINIRLI BAŞVURU YOLU: 3M, kendisine yapılan yazılı bildirim sonrasında işçilik veya malzeme açısından fabrika kusuruna sahip olduğunu belirlediği herhangi bir ürünü onarabilir veya yenisiyle değiştirebilir. 3M, garanti iddialarının değerlendirilmesi amacıyla ürünün tesisine iade edilmesini şart koşabilir. Bu garanti; yıpranma, istismar, kötüye kullanım, taşıma sırasında hasar, ürünün bakımının yapılmamasından kaynaklanan ürün hasarını ya da 3M'nin kontrolü dışındaki diğer hasarları kapsamaz. 3M, ürünün durumu ve garanti seçenekleri konusunda yegâne takdir sahibi olacaktır.

Bu garanti, yalnızca orijinal satın alma işleminin alıcısı için geçerlidir ve 3M'nin düşme koruması ürünleri için geçerli olan yegâne garantidir. Destek için lütfen bölgenizdeki 3M müşteri hizmetleri bölümü ile irtibata geçin.

SORUMLULUK SINIRLAMASI: 3M, YEREL YASALARIN İZİN VERDİĞİ ÖLÇÜDE, İLERİ SÜRÜLEN YASAL KURAMA BAKILMAKSIZIN ÜRÜNLE HERHANGİ BİR ŞEKİLDE İLGİLİ OLAN KÂR KAYBINI DA KAPSAYAN, ANCAK BUNUNLA SINIRLI OLMAYAN HİÇBİR DOLAYLI, ARIZİ, ÖZEL VEYA BAĞLI HASARDAN SORUMLU DEĞİLDİR.

TR

ГЛОБАЛЬНА ГАРАНТІЯ ЯКОСТІ ПРОДУКЦІЇ, ОБМЕЖЕНІ ЗАСОБИ ПРАВОВОГО ЗАХИСТУ ТА ОБМЕЖЕННЯ ВІДПОВІДАЛЬНОСТІ

ГАРАНТІЯ: НАВЕДЕНІ ДАЛІ ПОЛОЖЕННЯ ЗАСТОСОВУЮТЬСЯ ЗАМІСТЬ УСІХ ПРЯМИХ ЧИ НЕПРЯМИХ ГАРАНТІЙ ТА УМОВ, ЗОКРЕМА ПЕРЕДБАЧУВАНІ ГАРАНТІЇ ТА УМОВИ ПРИДАТНОСТІ ДЛЯ ПРОДАЖУ АБО ПРИДАТНОСТІ ДЛЯ ПЕВНОЇ МЕТИ.

Якщо інше не передбачено місцевим законодавством, на виробі захисту від падіння компанії 3M надається гарантія відсутності дефектів виробництва та матеріалів протягом одного року з дати встановлення або першого використання першим власником.

ОБМЕЖЕНІ ЗАСОБИ ПРАВОВОГО ЗАХИСТУ: Отримавши попереднє письмове повідомлення, компанія 3M відремонтує або замінить будь-який виріб, в якому вона виявляє наявність дефекту виробництва або матеріалів. Компанія 3M залишає за собою право вимагати повернення виробу на свій виробничий об'єкт для оцінки гарантійних вимог. Ця гарантія не поширюється на пошкодження виробу внаслідок зносу, зловживання, неправильного використання, пошкодження в процесі транспортування, порушень в обслуговуванні виробу або іншого пошкодження, що виходить за межі контролю компанії 3M. Компанія 3M має право в односторонньому порядку оцінювати стан виробу та можливість гарантійного обслуговування.

Ця гарантія розповсюджується лише на першого покупця та є єдиною гарантією, що застосовується до виробів захисту від падіння компанії 3M. Якщо вам потрібна допомога, зверніться до відділу обслуговування клієнтів компанії 3M у вашому регіоні.

ОБМЕЖЕННЯ ВІДПОВІДАЛЬНОСТІ: КОМПАНІЯ 3M НЕ НЕСЕ ВІДПОВІДАЛЬНОСТІ ЗА БУДЬ-ЯКІ НЕПРЯМІ, ВИПАДКОВІ, НАВМИСНІ ТА НАСТУПНІ ЗБИТКИ, ЗОКРЕМА ЗА ВТРАТУ ПРИБУТКІВ, БУДЬ-ЯКИМ ЧИНОМ ПОВ'ЯЗАНИХ ІЗ ВИРОБАМИ, НЕЗАЛЕЖНО ВІД ПРАВОВОЇ ТЕОРІЇ, У МЕЖАХ, ДОЗВОЛЕНИХ МІСЦЕВИМ ЗАКОНОДАВСТВОМ.

UK

GLOBAL PRODUCT WARRANTY, LIMITED REMEDY AND LIMITATION OF LIABILITY

WARRANTY: THE FOLLOWING IS MADE IN LIEU OF ALL WARRANTIES OR CONDITIONS, EXPRESS OR IMPLIED, INCLUDING THE IMPLIED WARRANTIES OR CONDITIONS OF MERCHANTABILITY OR FITNESS FOR A PARTICULAR PURPOSE.

Unless otherwise provided by local laws, 3M fall protection products are warranted against factory defects in workmanship and materials for a period of one year from the date of installation or first use by the original owner.

LIMITED REMEDY: Upon written notice to 3M, 3M will repair or replace any product determined by 3M to have a factory defect in workmanship or materials. 3M reserves the right to require product be returned to its facility for evaluation of warranty claims. This warranty does not cover product damage due to wear, abuse, misuse, damage in transit, failure to maintain the product or other damage beyond 3M's control. 3M will be the sole judge of product condition and warranty options.

This warranty applies only to the original purchaser and is the only warranty applicable to 3M's fall protection products. Please contact 3M's customer service department in your region for assistance.

LIMITATION OF LIABILITY: TO THE EXTENT PERMITTED BY LOCAL LAWS, 3M IS NOT LIABLE FOR ANY INDIRECT, INCIDENTAL, SPECIAL OR CONSEQUENTIAL DAMAGES INCLUDING, BUT NOT LIMITED TO LOSS OF PROFITS, IN ANY WAY RELATED TO THE PRODUCTS REGARDLESS OF THE LEGAL THEORY ASSERTED.



Fall Protection

USA

3833 SALA Way
Red Wing, MN 55066-5005
Toll Free: 800.328.6146
Phone: 651.388.8282
Fax: 651.388.5065
3Mfallprotection@mmm.com

Brazil

Rua Anne Frank, 2621
Boqueirão Curitiba PR
81650-020
Brazil
Phone: 0800-942-2300
falecoma3m@mmm.com

Mexico

Calle Norte 35, 895-E
Col. Industrial Vallejo
C.P. 02300 Azcapotzalco
Mexico D.F.
Phone: (55) 57194820
3msaludocupacional@mmm.com

Colombia

Compañía Latinoamericana de Seguridad S.A.S.
Carrera 106 #15-25 Interior 105 Manzana 15
Zona Franca - Bogotá, Colombia
Phone: 57 1 6014777
fallprotection-co@mmm.com

Canada

600 Edwards Blvd, Unit #2
Mississauga, ON L5T 2V7
Phone: 905.795.9333
Toll-Free: 800.387.7484
Fax: 888.387.7484
3Mfallprotection-ca@mmm.com

EMEA (Europe, Middle East, Africa)

Slovakia:
CAPITAL SAFETY GROUP - Banská
Bystrica, s.r.o.
Jegorovova 35
974 01 Banská Bystrica
Slovak Republic
Phone: + 421 (0)47 00 330
Fax: + 421 (0)47 00 336
informationfallprotection@mmm.com

France:

Le Broc Center
Z.I. 1re Avenue - BP15
06511 Carros Le Broc Cedex
France

Phone: + 33 04 97 10 00 10
Fax: + 33 04 93 08 79 70
informationfallprotection@mmm.com

Australia & New Zealand

95 Derby Street
Silverwater
Sydney NSW 2128
Australia
Phone: +(61) 2 8753 7600
Toll-Free : 1800 245 002 (AUS)
Toll-Free : 0800 212 505 (NZ)
Fax: +(61) 2 8753 7603
anzfallprotectionsales@mmm.com

Asia

Singapore:
1 Yishun Avenue 7
Singapore 768923
Phone: +65-6450 8888
Fax: +65-6552 2113
TotalFallProtection@mmm.com

Shanghai:

19/F, L'Avenue, No.99 Xian Xia Rd
Shanghai 200051, P R China
Phone: +86 21 62539050
Fax: +86 21 62539060
3MFallProtection-CN@mmm.com

Korea:

3M Korea Ltd
20F, 82, Uisadang-daero,
Yeongdeungpo-gu, Seoul
Phone: +82-80-033-4114
Fax: +82-2-3771-4271
TotalFallProtection@mmm.com

Japan:

3M Japan Ltd
6-7-29, Kitashinagawa, Shinagawa-ku, Tokyo
Phone: +81-570-011-321
Fax: +81-3-6409-5818
psd.jp@mmm.com

3M.com/FallProtection



EU DECLARATION OF CONFORMITY:

www.3M.com/FallProtection/DOC

The quality management system / the environmental management system / occupational health and safety management system of the company CAPITAL SAFETY GROUP - Banská Bystrica s.r.o. is certified by

TÜV SÜD Slovakia s.r.o. according to STN EN ISO 9001:2016
STN EN ISO 14001:2016 / STN ISO 45001:2018